



US00D537842S

(12) **United States Design Patent**
Moser

(10) **Patent No.:** **US D537,842 S**

(45) **Date of Patent:** **** Mar. 6, 2007**

(54) **DUAL CYLINDER AIR COMPRESSOR**

(76) Inventor: **John Moser**, 5239 Waltann La.,
Scottsdale, AZ (US) 85254

(**) Term: **14 Years**

(21) Appl. No.: **29/253,619**

(22) Filed: **Feb. 9, 2006**

(51) **LOC (8) Cl.** **15-02**

(52) **U.S. Cl.** **D15/9**

(58) **Field of Classification Search** D15/7-9;
D23/232, 231; 417/359, 415-416, 410.1,
417/321, 265, 405

See application file for complete search history.

(56) **References Cited**

U.S. PATENT DOCUMENTS

D499,119 S * 11/2004 Thomas et al. D15/9
D512,442 S * 12/2005 Moser, III D15/9

* cited by examiner

Primary Examiner—Ralf Seifert

(74) *Attorney, Agent, or Firm*—Michael C. Cesarano;
Akerman Senterfitt

(57) **CLAIM**

I claim the ornamental design for a dual cylinder air compressor, as shown.

DESCRIPTION

FIG. 1 is a front top perspective view of the dual cylinder air compressor.

FIG. 2 is a left elevational view of the dual cylinder air compressor.

FIG. 3 is a right elevational view of the dual cylinder air compressor.

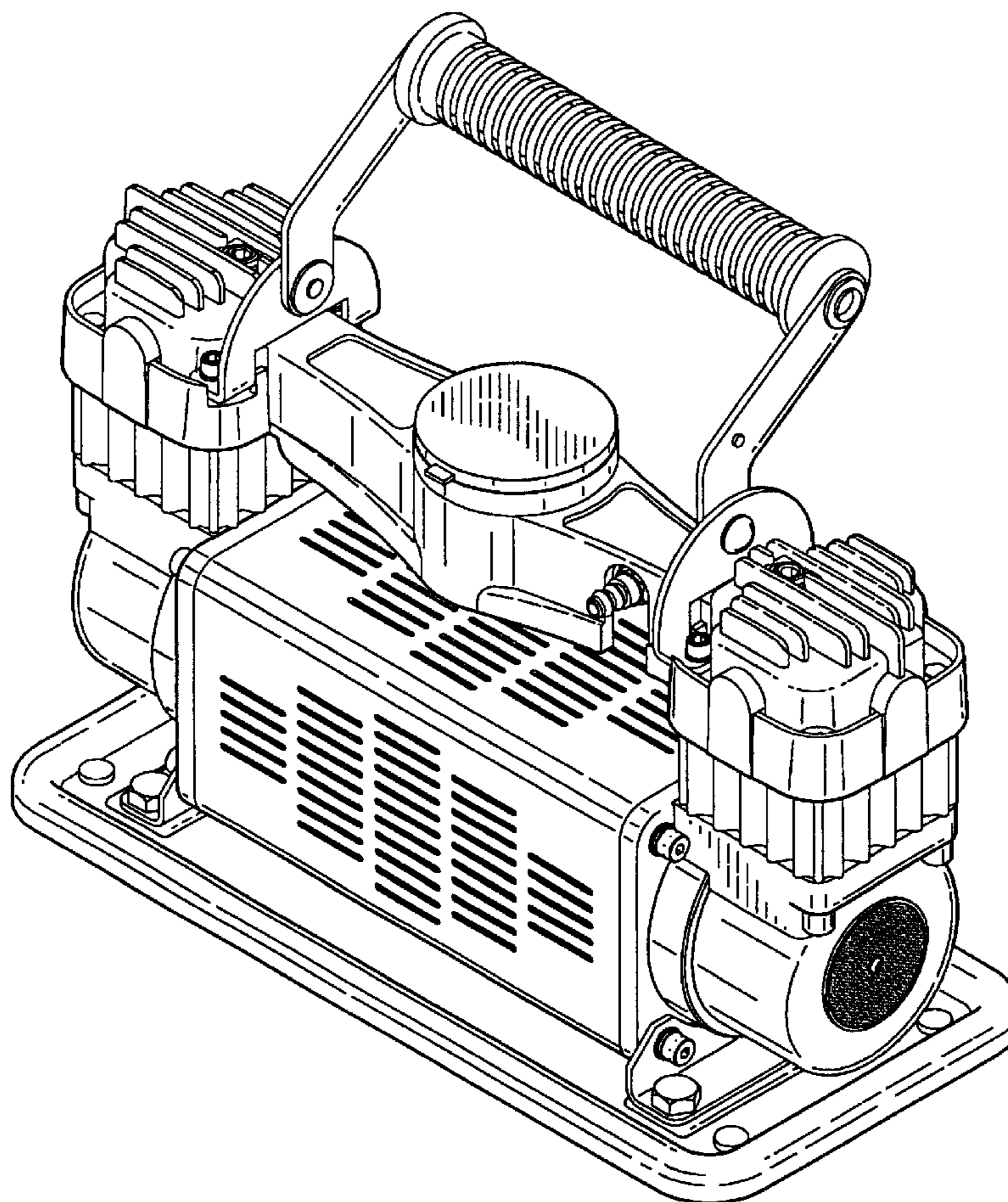
FIG. 4 is a front elevational of the dual cylinder air compressor.

FIG. 5 is a rear elevational view of the dual cylinder air compressor.

FIG. 6 is a top plan view of the dual cylinder air compressor; and,

FIG. 7 is a bottom plan view of the dual cylinder air compressor.

1 Claim, 6 Drawing Sheets



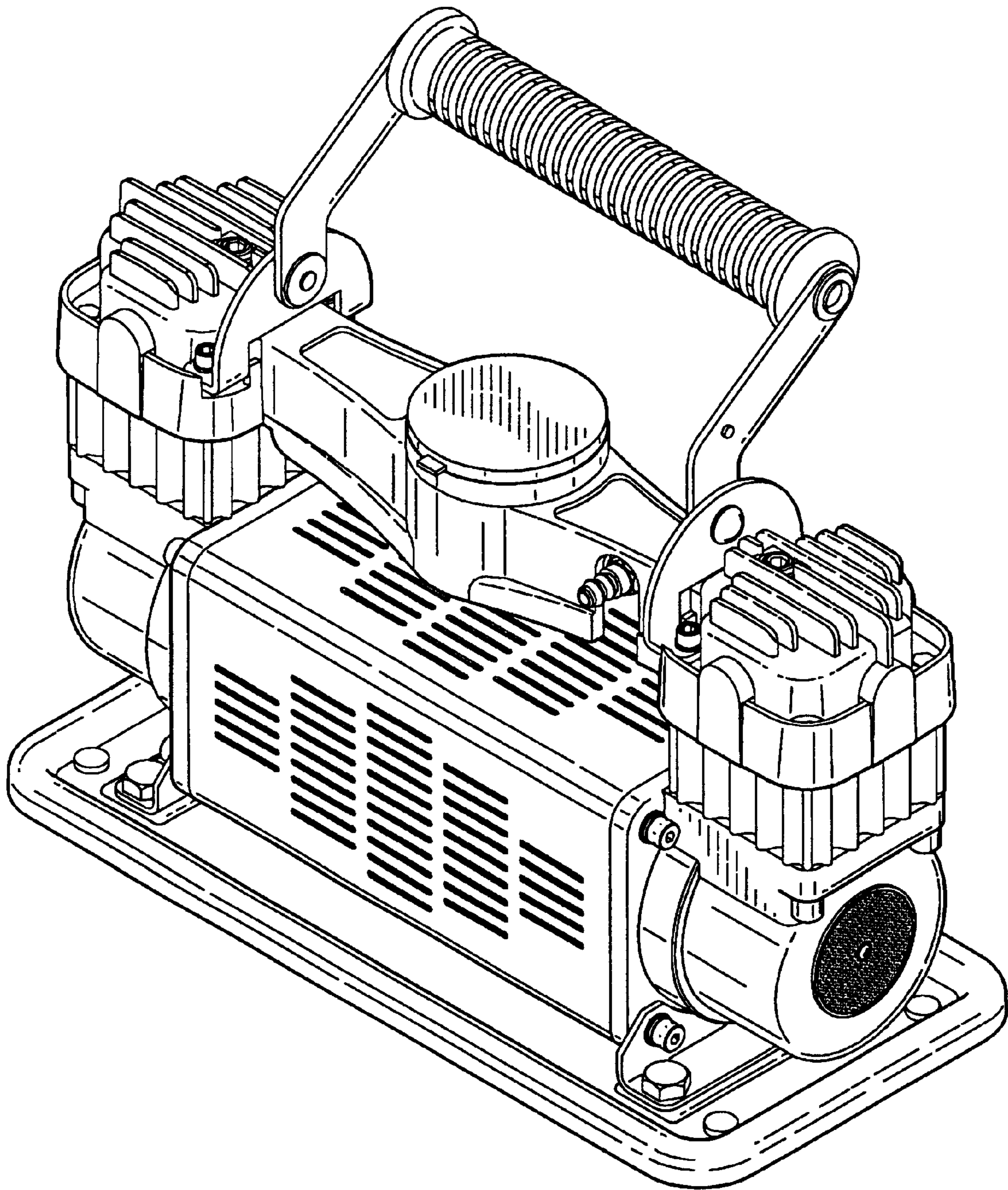


FIG. 1

FIG. 2

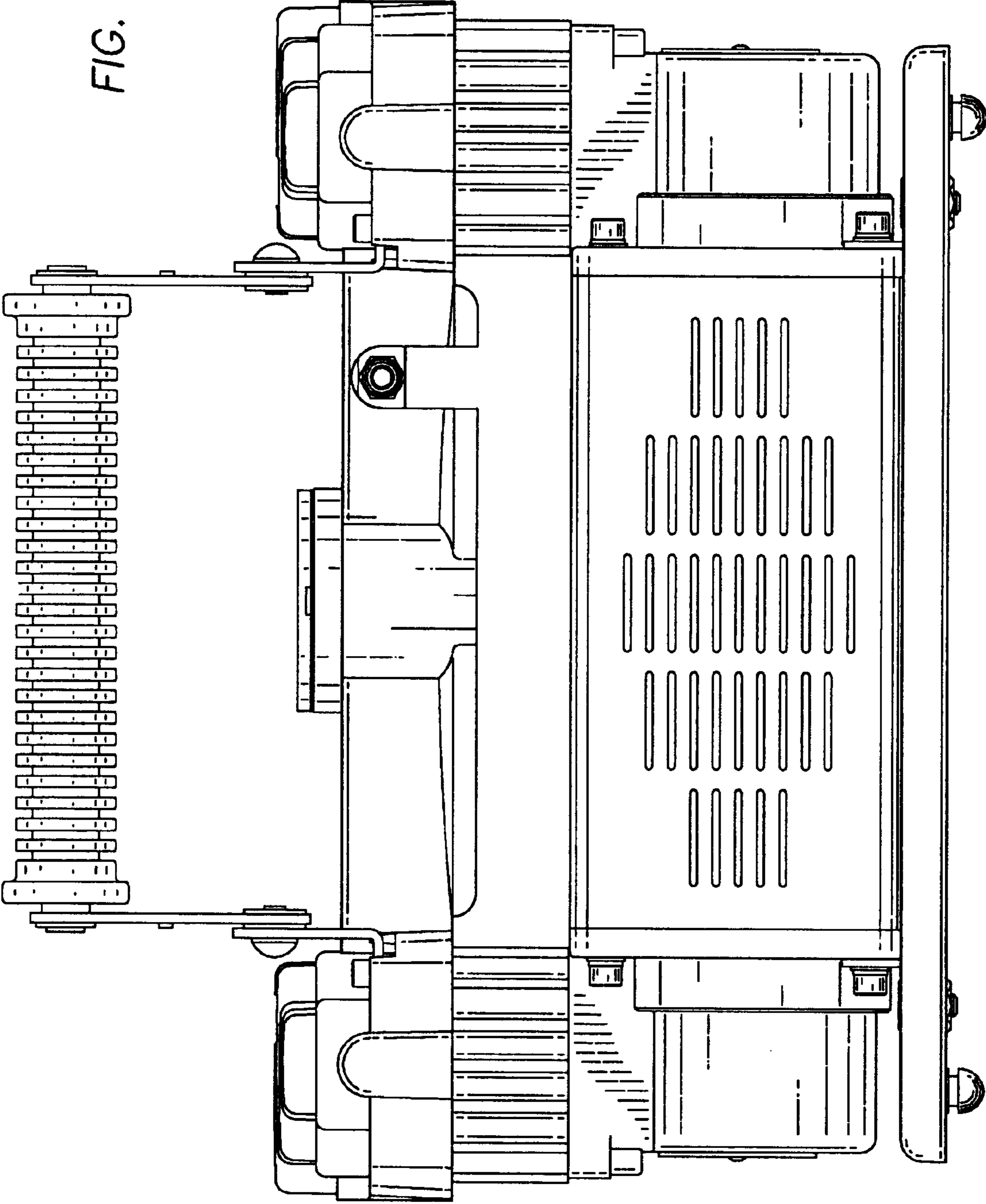
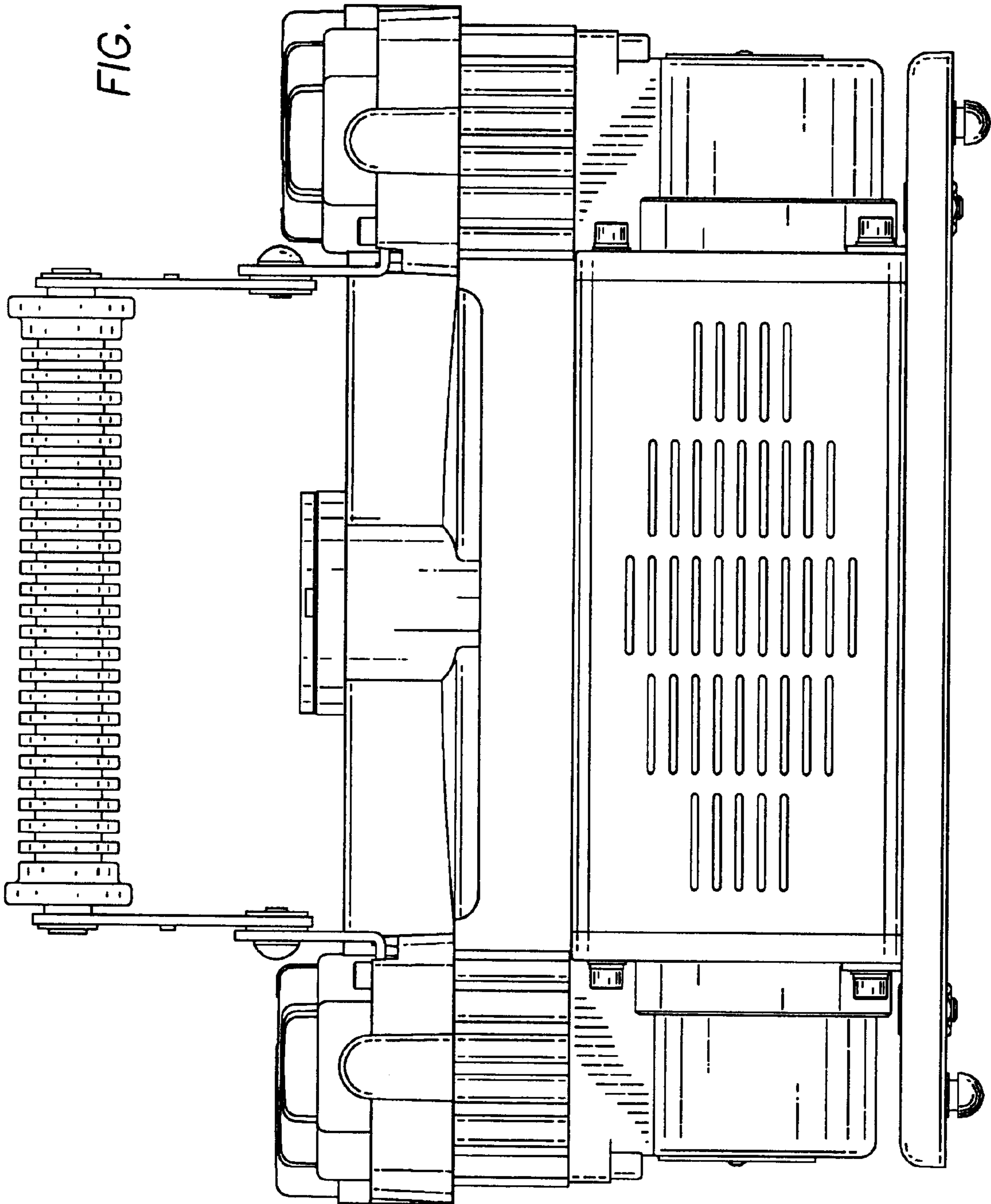


FIG. 3



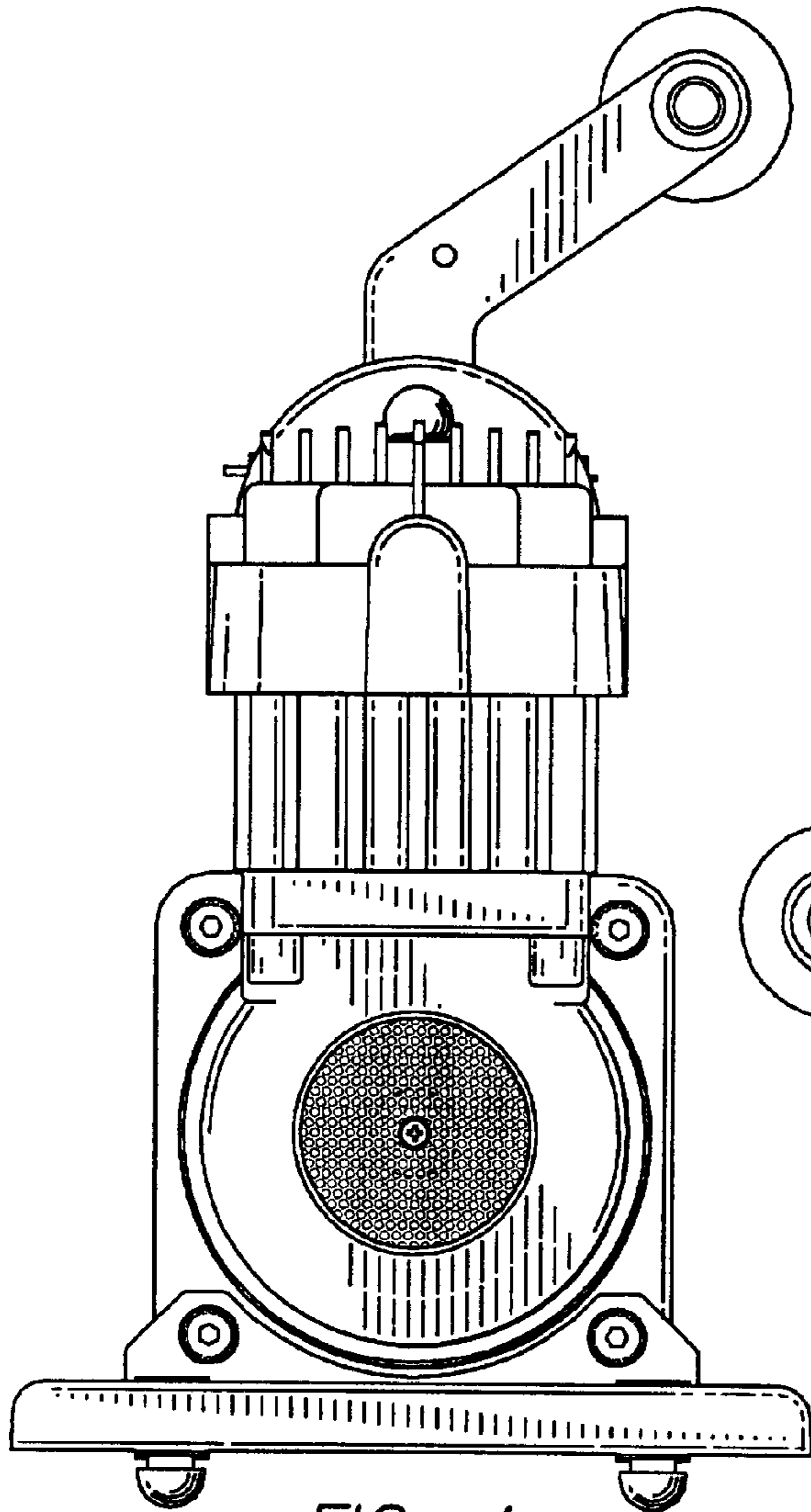


FIG. 4

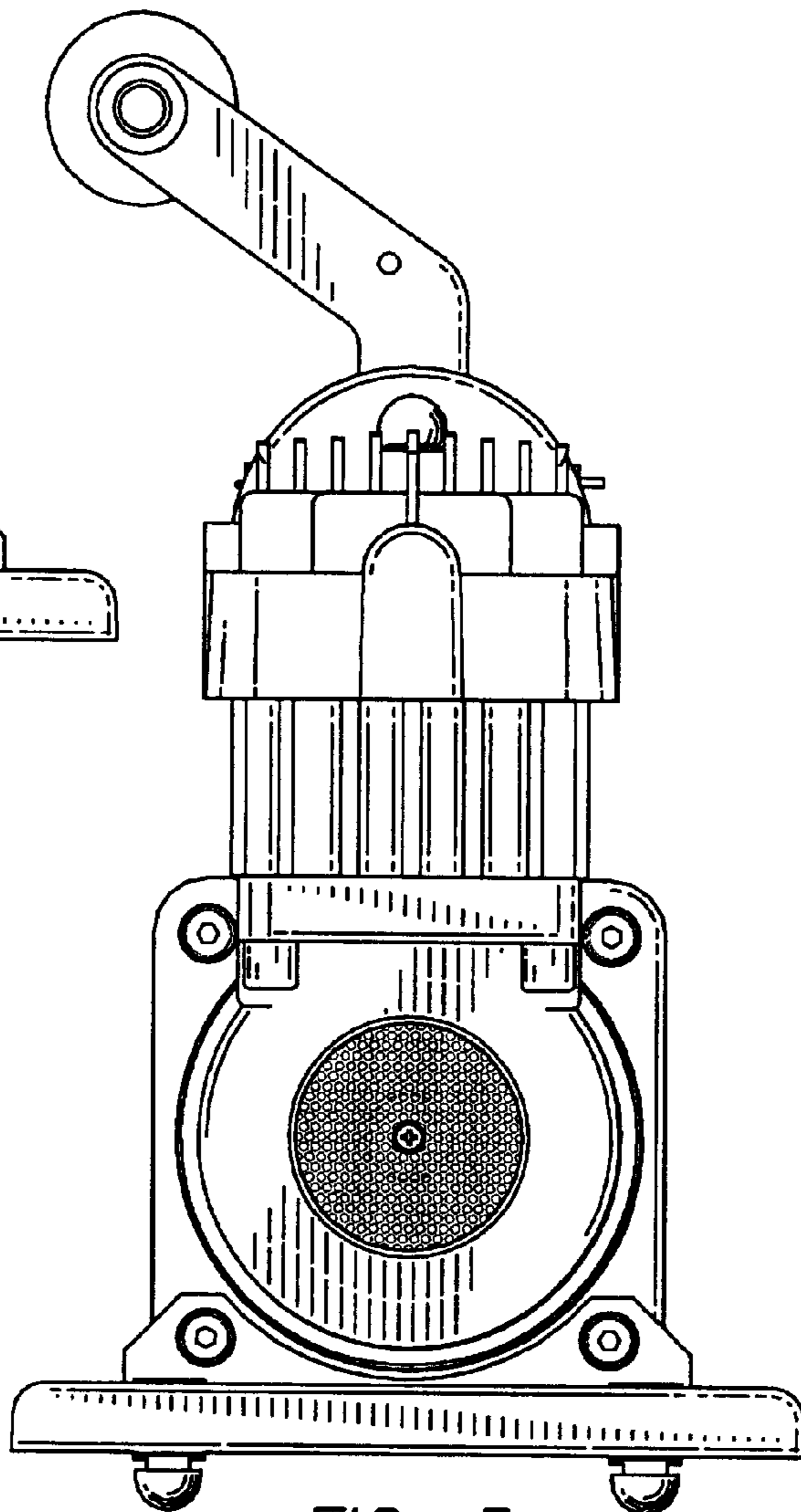


FIG. 5

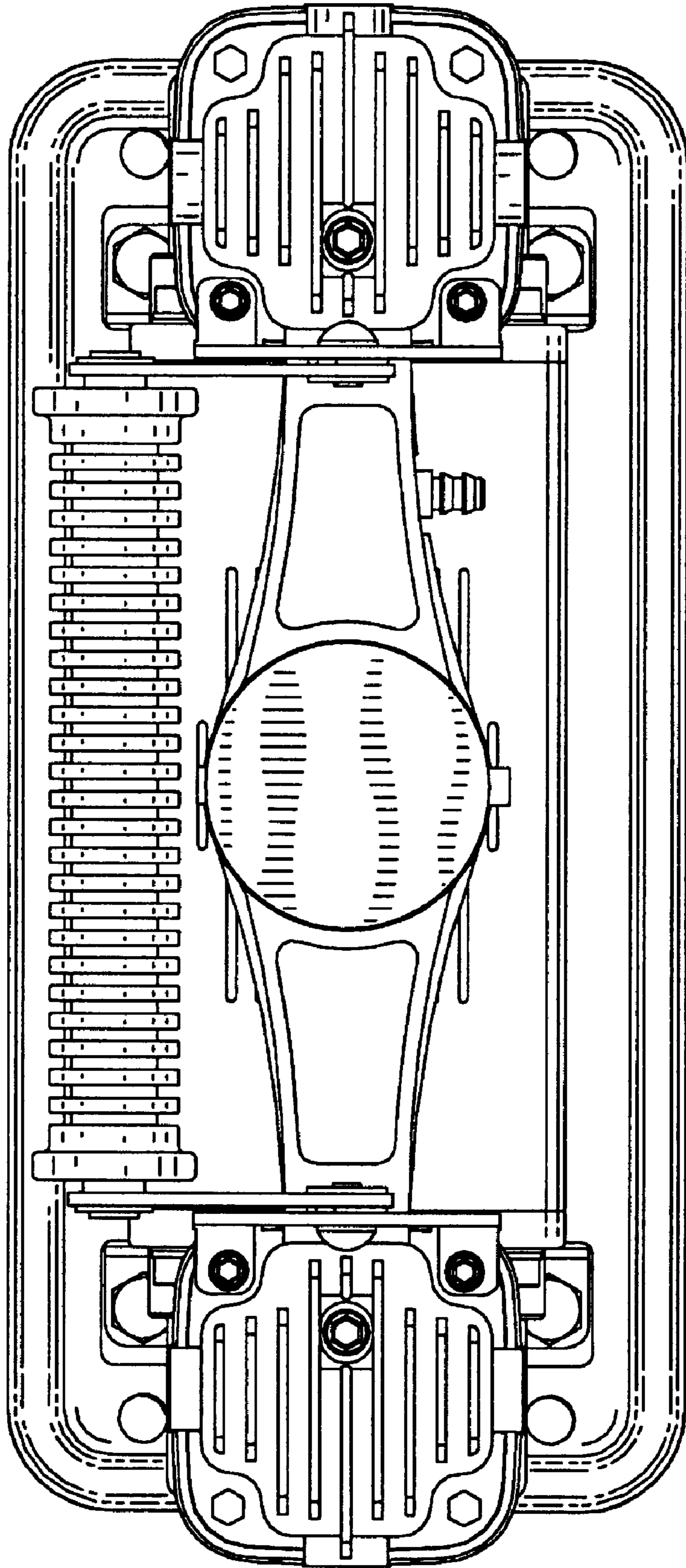


FIG. 6

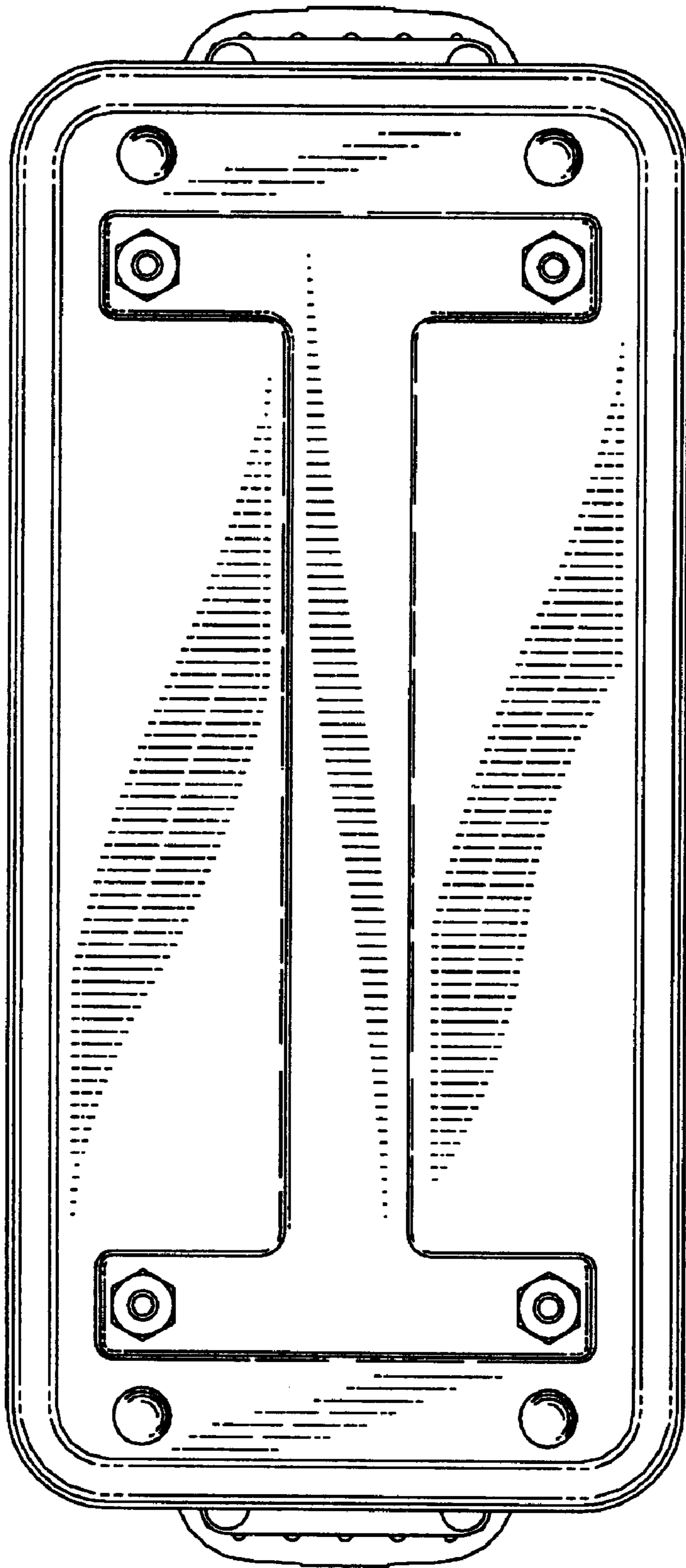


FIG. 7