



US00D537841S

(12) **United States Design Patent** (10) **Patent No.:** **US D537,841 S**
Smith et al. (45) **Date of Patent:** **** *Mar. 6, 2007**

(54) **AIR COMPRESSOR**

(75) Inventors: **Timothy C. Smith**, Jackson, TN (US);
John E. Buck, Cockeysville, MD (US);
Mark A. Etter, Humboldt, TN (US);
Robert P. Welsh, Hunt Valley, MD (US)

(73) Assignee: **Black & Decker Inc.**, Newark, DE (US)

(*) Notice: This patent is subject to a terminal disclaimer.

(**) Term: **14 Years**

6,349,630 B1 2/2002 Wood
6,375,437 B1 4/2002 Nolan
D461,196 S 8/2002 Buck
6,468,048 B1 10/2002 Burkholder et al.
D471,918 S 3/2003 Buck
6,532,990 B1 3/2003 Wood et al.
6,532,991 B1 3/2003 Wood et al.
6,558,135 B1 5/2003 Wood
6,582,201 B2 6/2003 Lucchi
D479,248 S 9/2003 Gist et al.
6,655,925 B1 12/2003 Robenalt et al.
D488,485 S 4/2004 Leasure et al.
D489,733 S 5/2004 Leasure et al.
D491,197 S 6/2004 White et al.

(Continued)

FOREIGN PATENT DOCUMENTS

(21) Appl. No.: **29/239,714**

(22) Filed: **Oct. 3, 2005**

(51) **LOC (8) Cl.** **15-02**

(52) **U.S. Cl.** **D15/9**

(58) **Field of Classification Search** D15/7-9;
D23/232, 231; 417/359, 415-416, 410.1,
417/321, 265, 405

See application file for complete search history.

DE 1 503 676 7/1966
DE 86 24 842.1 9/1986
DE 92 11 451.2 8/1992
DE 197 08 191 A1 2/1997
DE 297 21 504 U1 12/1997
DE 299 05 869 U1 3/1999
DE 101 47 400 A 1 9/2001
WO WO 2004/033904 A2 4/2004

Primary Examiner—Ralf Seifert

(74) Attorney, Agent, or Firm—Scott B. Markow

(56) **References Cited**

U.S. PATENT DOCUMENTS

2,804,259 A 8/1957 Ralston
5,040,563 A 8/1991 Wood
5,054,740 A 10/1991 Wheeler
D327,891 S 7/1992 Morgan
5,137,434 A 8/1992 Wheeler et al.
5,217,202 A 6/1993 Phillips
5,343,777 A 9/1994 Wood et al.
D352,292 S 11/1994 Morgan
D352,293 S 11/1994 Morgan
D352,294 S 11/1994 Morgan
D352,295 S 11/1994 Morgan
5,584,675 A 12/1996 Steurer et al.
5,681,151 A 10/1997 Wood
6,183,211 B1 2/2001 Wood
6,213,000 B1 4/2001 Wood
D444,769 S * 7/2001 Kishi D13/133
D444,796 S 7/2001 Morgan

(57) **CLAIM**

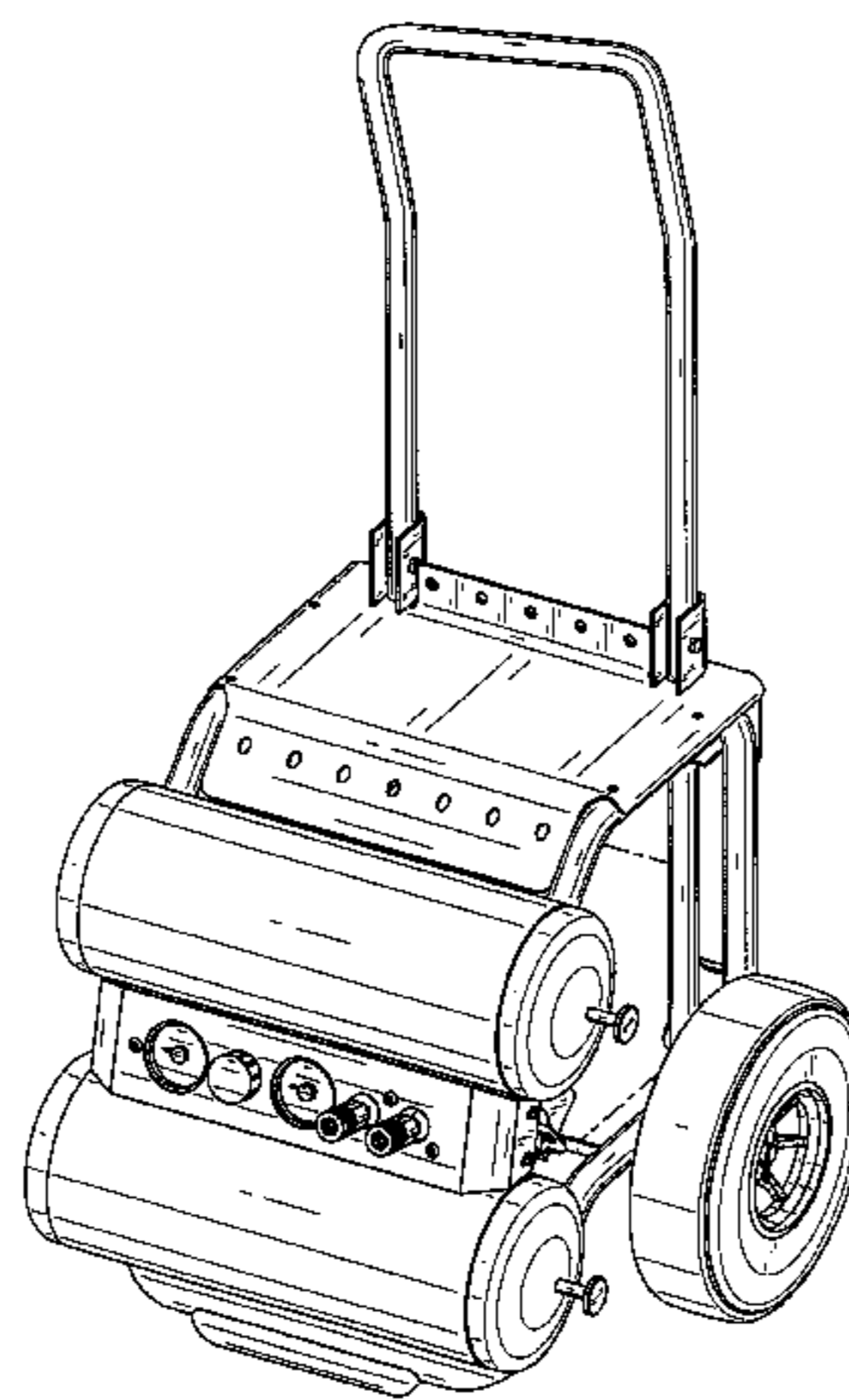
The ornamental design for an air compressor, as shown and described.

DESCRIPTION

FIG. 1 is a left/front perspective view of the air compressor.
FIG. 2 is a front elevational view thereof.
FIG. 3 is a rear elevational view thereof.
FIG. 4 is a right side elevational view thereof.
FIG. 5 is a left side elevational view thereof.
FIG. 6 is a top view thereof; and,
FIG. 7 is a bottom view thereof.

The dashed lines and the arenas within the dashed lines form no part of the claimed ornamental design.

1 Claim, 7 Drawing Sheets



US D537,841 S

Page 2

U.S. PATENT DOCUMENTS

6,742,995	B1	6/2004	Wood et al.			
D498,244	S	11/2004	Chen			
D499,117	S	11/2004	Leasure et al.			
D499,118	S	11/2004	Leasure et al.			
D499,429	S	12/2004	Leasure			
D499,433	S	12/2004	Leasure			
D500,050	S	12/2004	Lucchi			
D500,051	S	* 12/2004	Lucchi	D15/9		
D500,052	S	12/2004	Lucchi			
D502,810	S	3/2005	Morgan et al.			
6,892,921	B2	5/2005	Beville			
D508,497	S	8/2005	Leasure et al.			
6,923,364	B2	8/2005	Burkholder et al.			
6,923,627	B1	8/2005	Wood et al.			
6,942,464	B2	9/2005	Brashears et al.			
D513,619	S	* 1/2006	Hernandez et al.	D15/9		
D515,591	S	* 2/2006	Buck	D15/9		
D516,092	S	* 2/2006	Buck	D15/9		

* cited by examiner

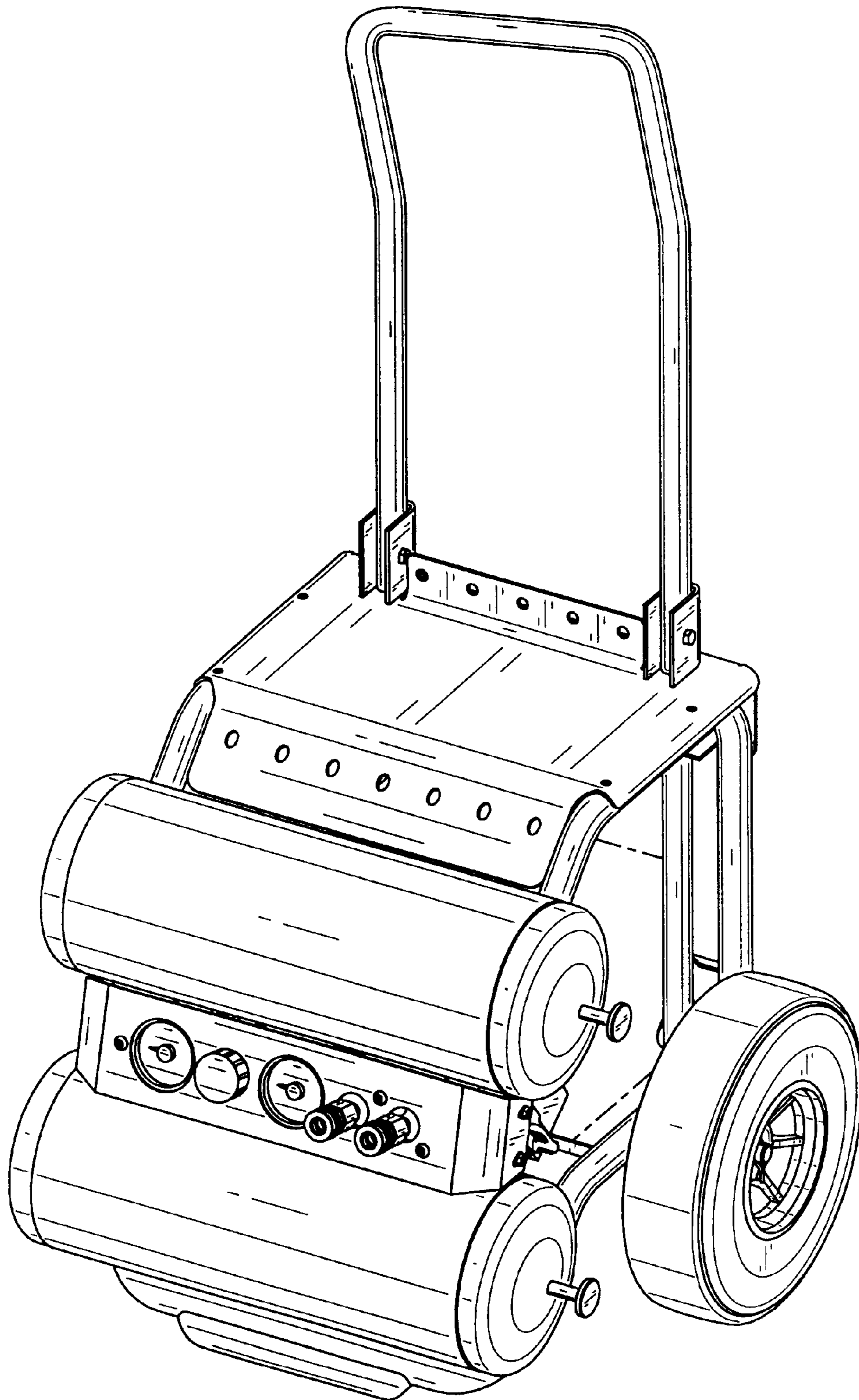


FIG. 1

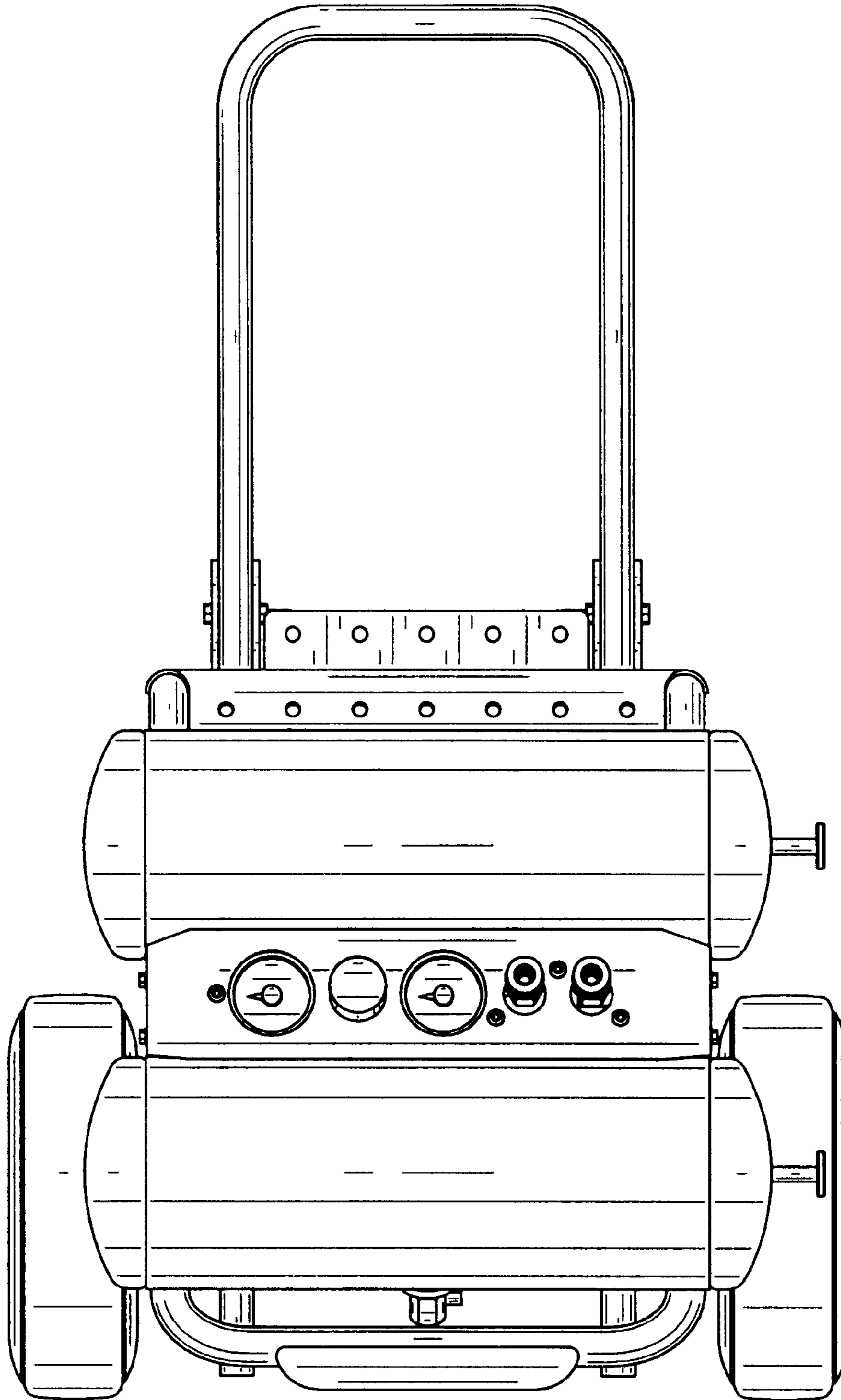


FIG. 2

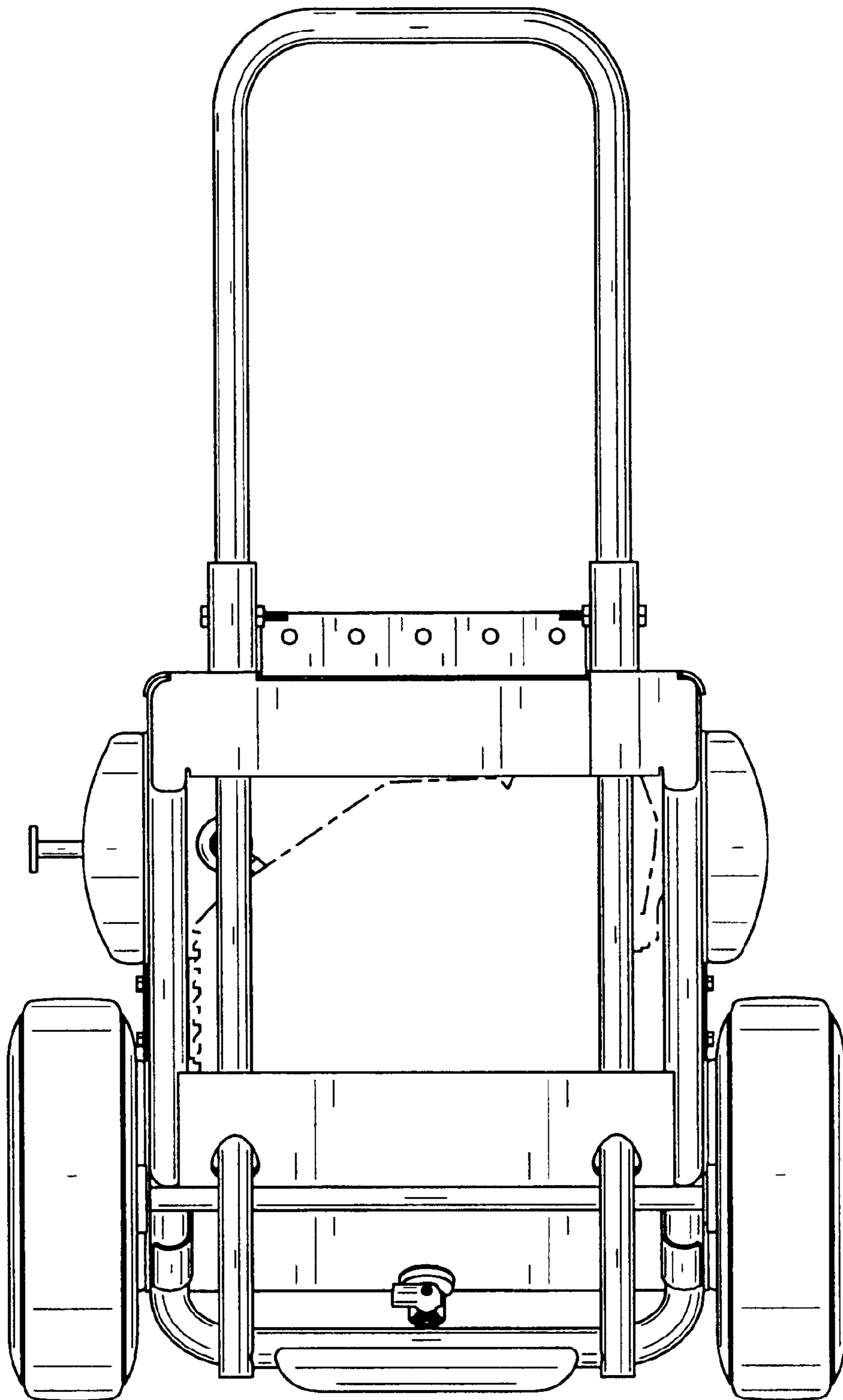


FIG. 3

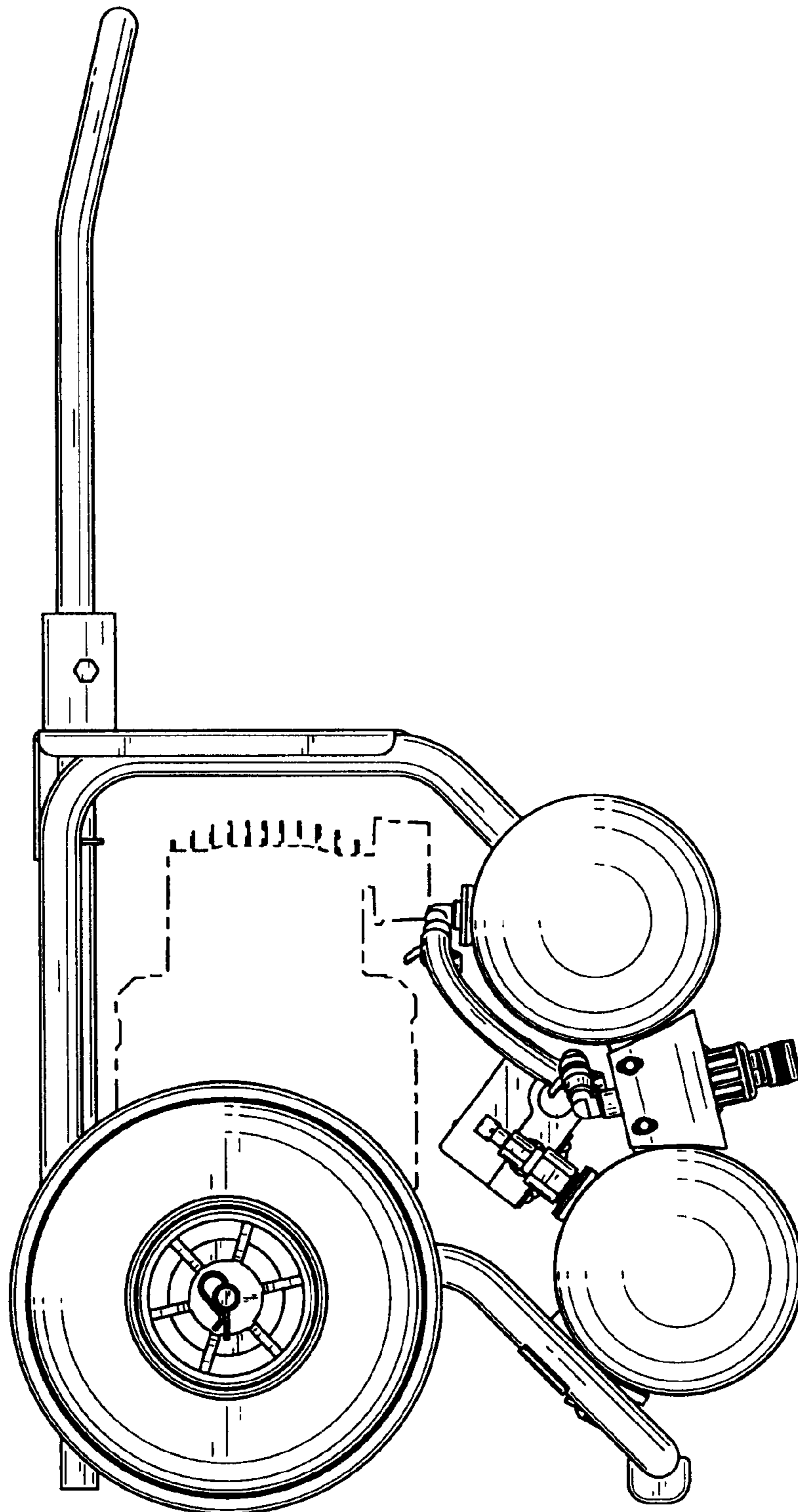


FIG. 4

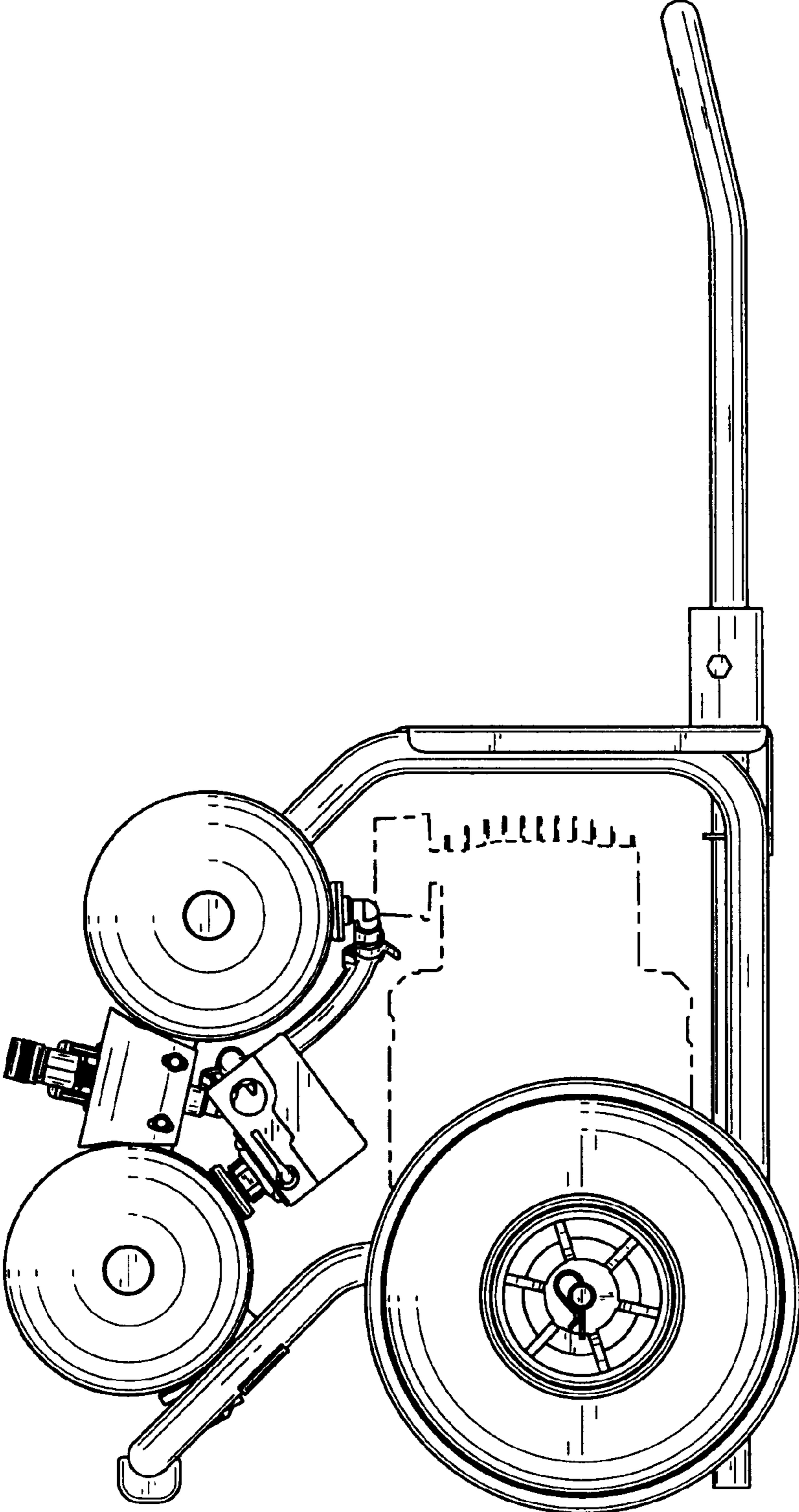


FIG. 5

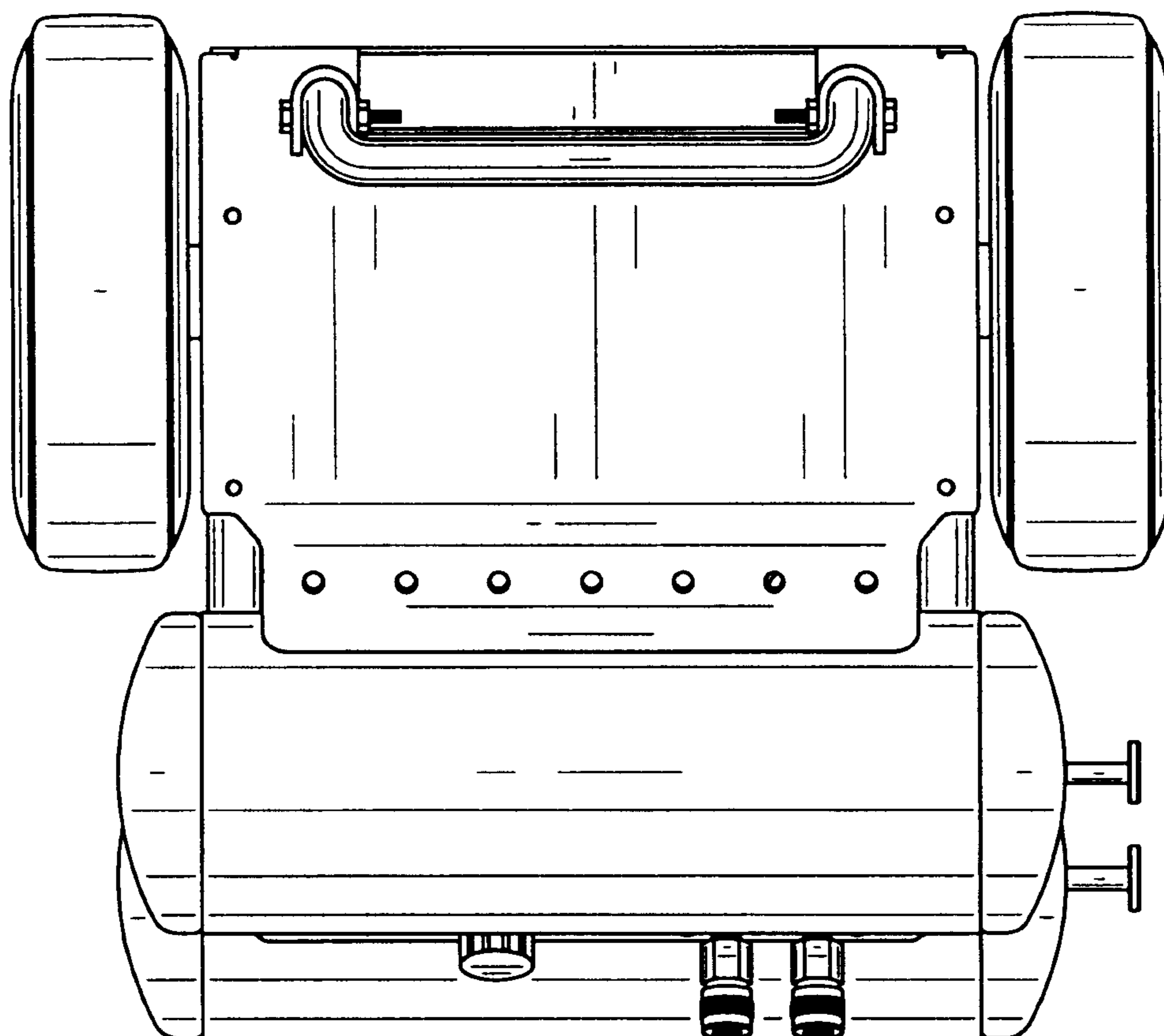


FIG. 6

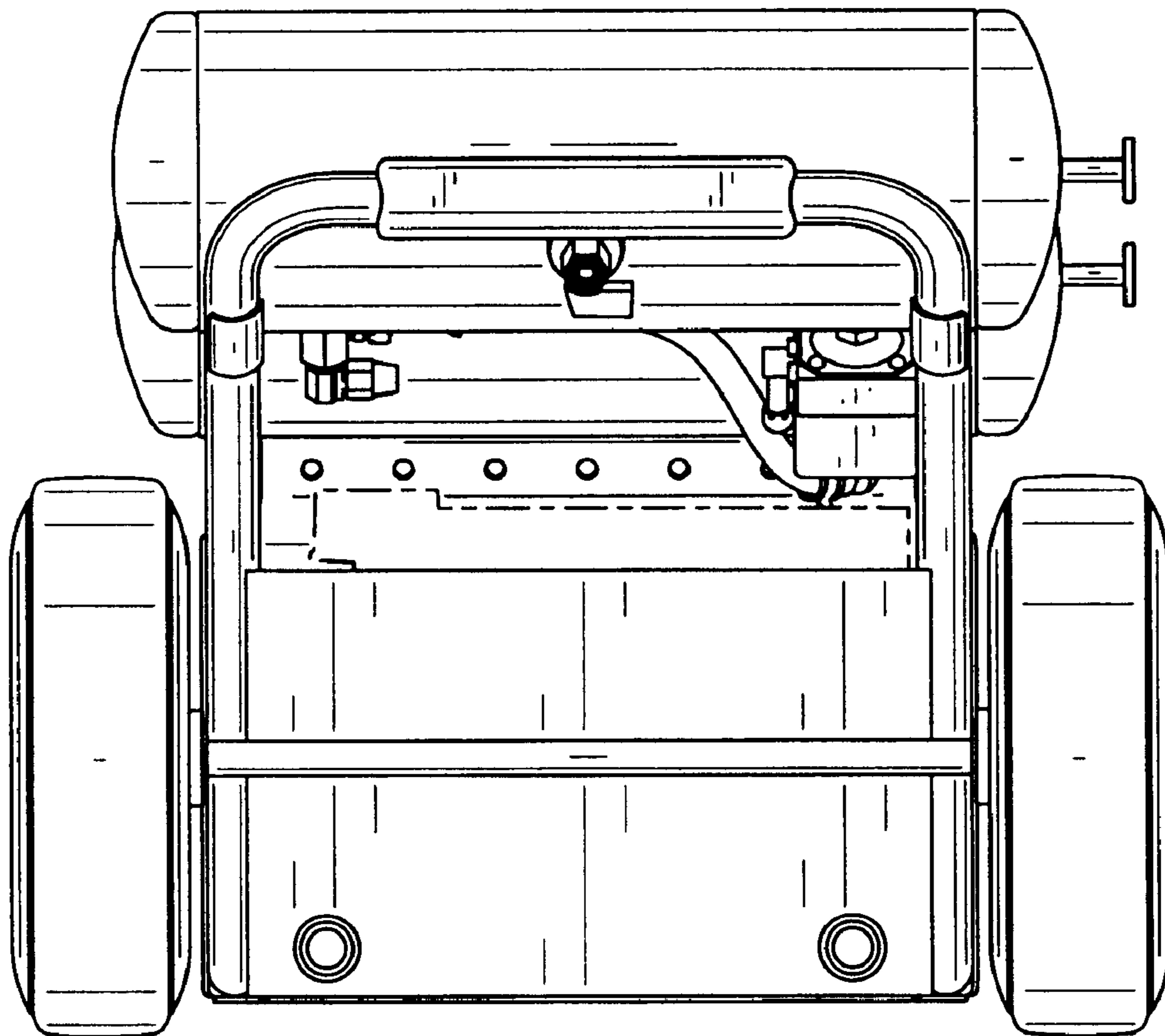


FIG. 7