



US00D537839S

(12) **United States Design Patent**
Bruno et al.

(10) **Patent No.:** **US D537,839 S**

(45) **Date of Patent:** **** Mar. 6, 2007**

(54) **PAINT PUMP STAND**

D384,676 S * 10/1997 Cyphers et al. D15/7
D435,048 S * 12/2000 Breaser et al. D15/7

(75) Inventors: **Robert H. Bruno**, Avon, CT (US);
Tunjung F. Ismoedi, Jawa Tengah (ID);
Robert E. Miller, Savage, MN (US);
Wayne Robens, Lakeville, MN (US)

* cited by examiner

Primary Examiner—Ralf Seifert
(74) *Attorney, Agent, or Firm*—Faegre & Benson LLP

(73) Assignee: **Wagner Spray Tech Corporation**,
Plymouth, MN (US)

(57) **CLAIM**

The ornamental design for a paint pump stand, as shown.

(**) Term: **14 Years**

DESCRIPTION

(21) Appl. No.: **29/246,331**

FIG. 1 is a perspective view of the article in which the design is embodied.

(22) Filed: **Mar. 31, 2006**

FIG. 2 is a front elevation view of the article in which the design is embodied.

(51) **LOC (8) Cl.** **15-02**

(52) **U.S. Cl.** **D15/7**

(58) **Field of Classification Search** D15/7-9;
D23/232, 231, 213, 225; 417/359, 415-416,
417/410.1, 321, 265, 405

FIG. 3 is a rear elevation view of the article in which the design is embodied.

FIG. 4 is a left side elevation view of the article in which the design is embodied.

See application file for complete search history.

FIG. 5 is a right side elevation view of the article in which the design is embodied.

FIG. 6 is a top plan view of the article in which the design is embodied; and,

FIG. 7 is a bottom plan view of the article in which the design is embodied.

(56) **References Cited**

U.S. PATENT DOCUMENTS

D45,822 S * 5/1914 Smith D15/7
D377,799 S * 2/1997 Kruzel et al. D15/7
5,622,480 A * 4/1997 Walsh 417/234

1 Claim, 7 Drawing Sheets

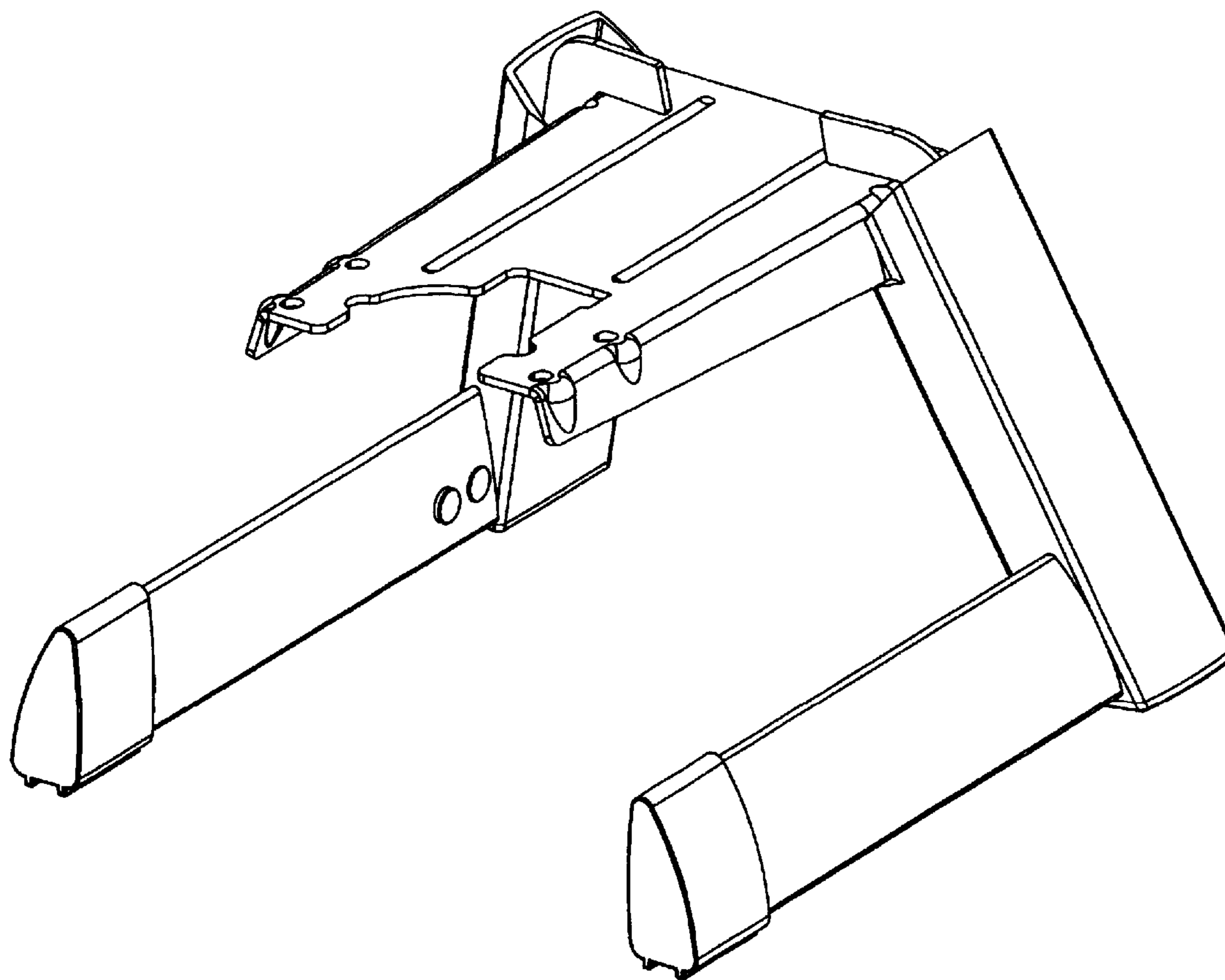


FIG. 1

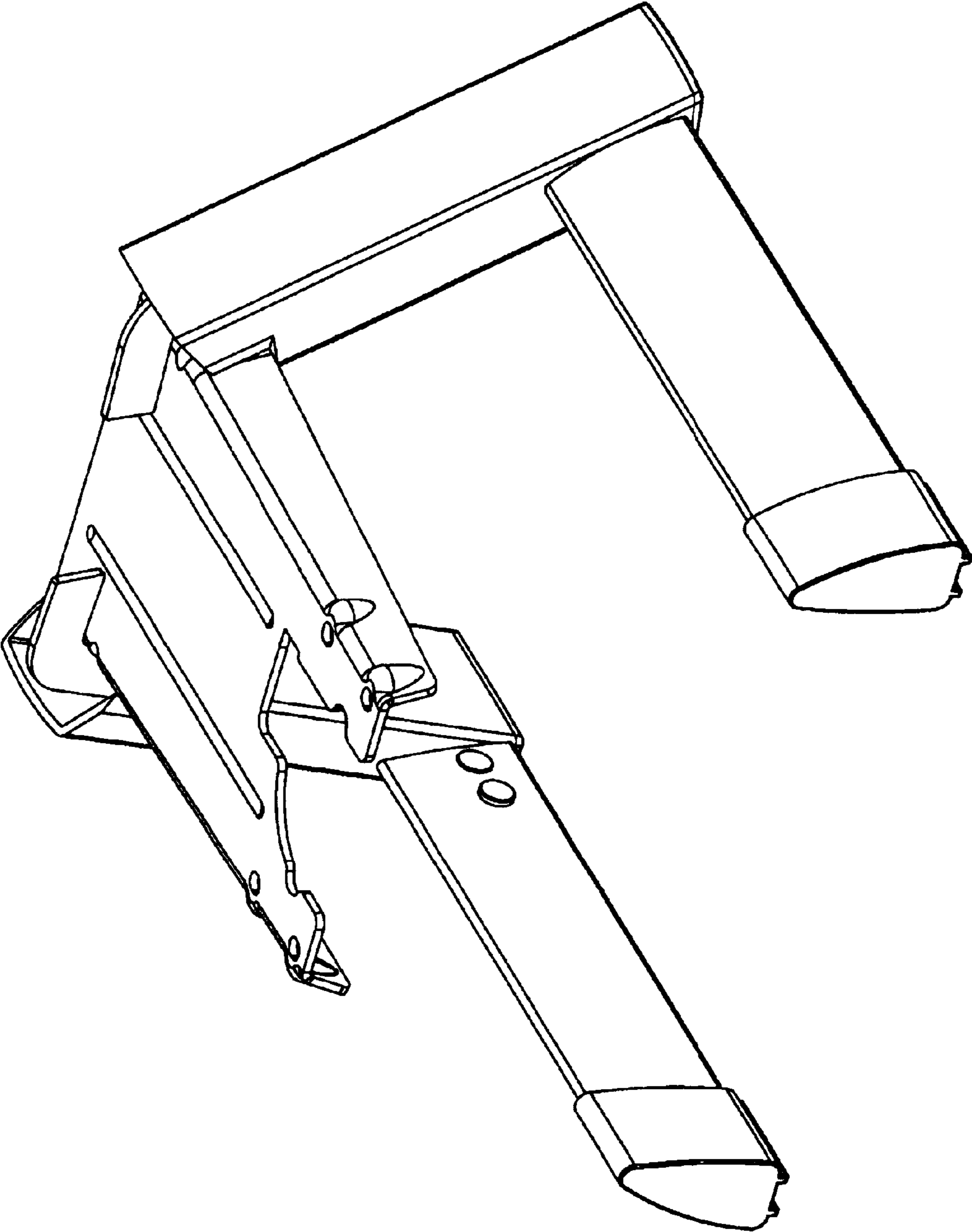


FIG. 2

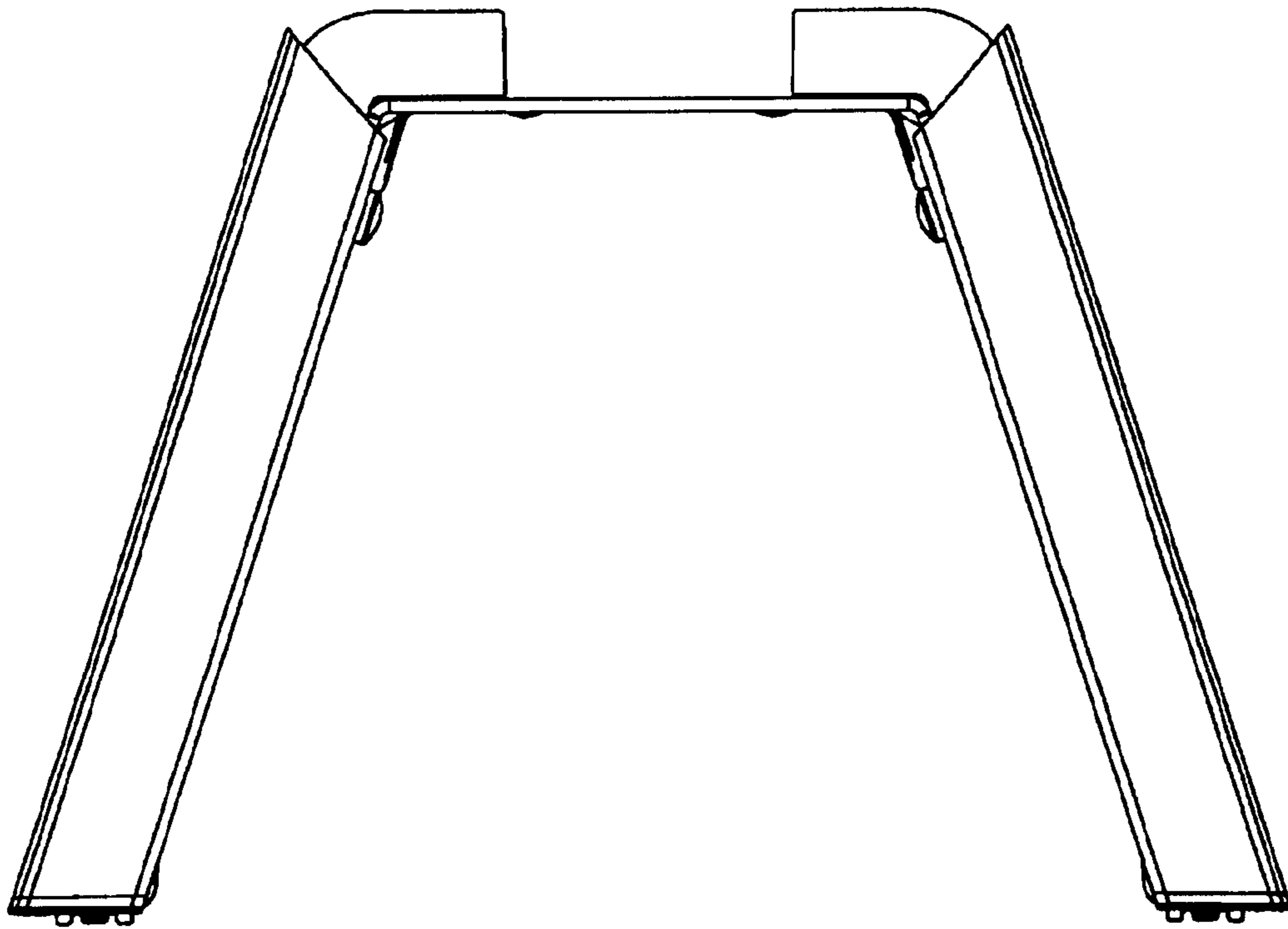


FIG. 3

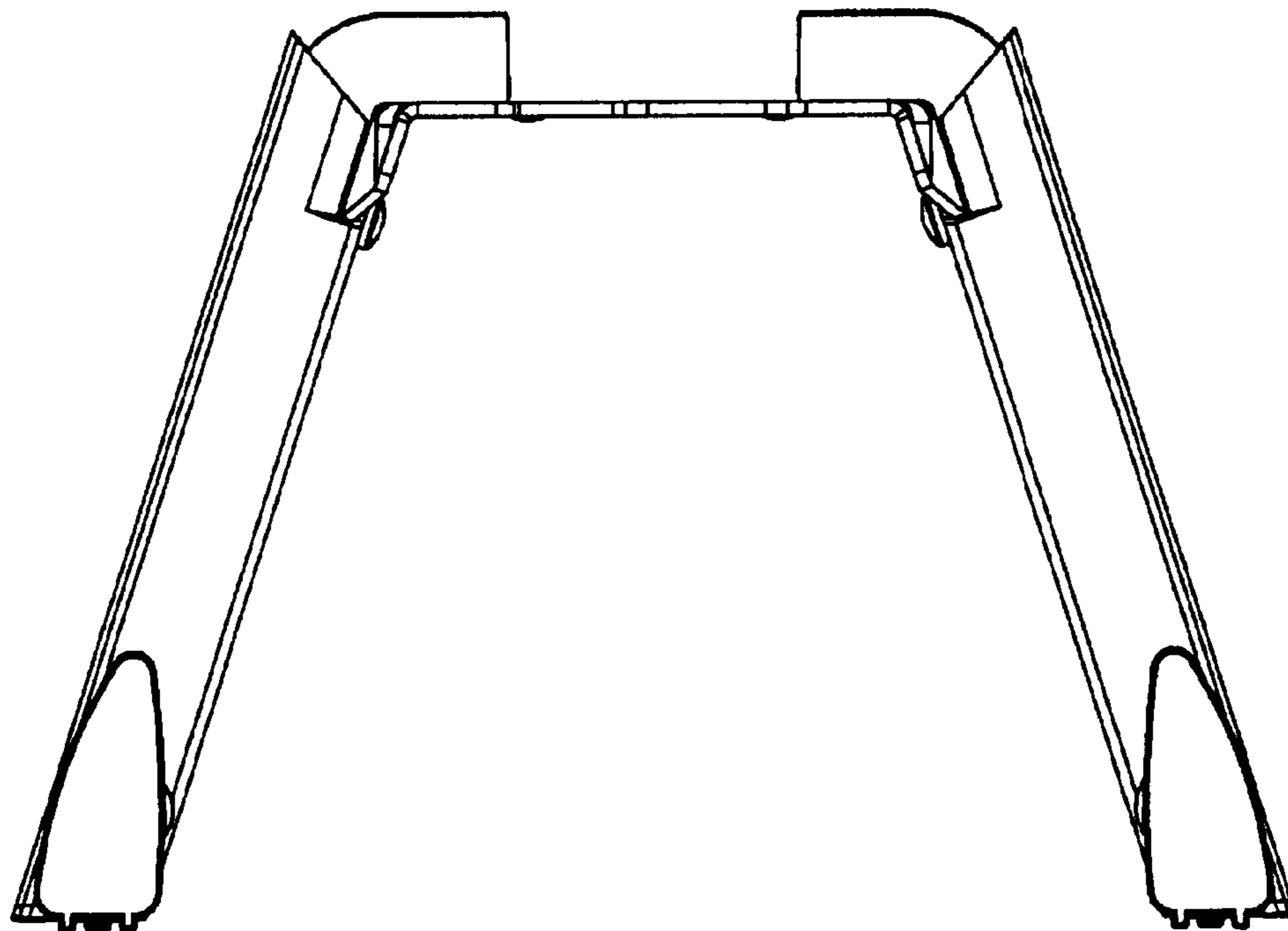


FIG. 4

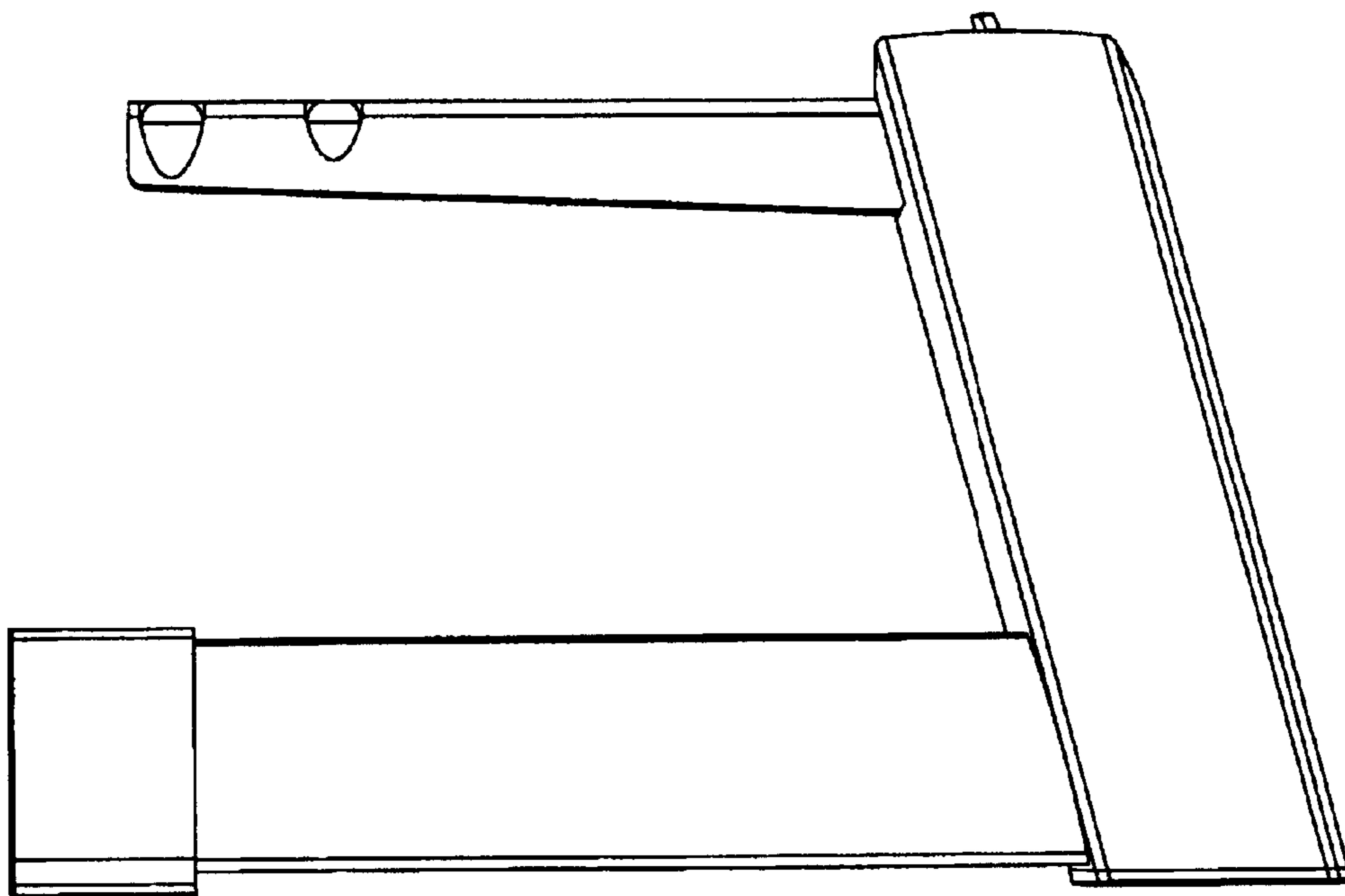


FIG. 5

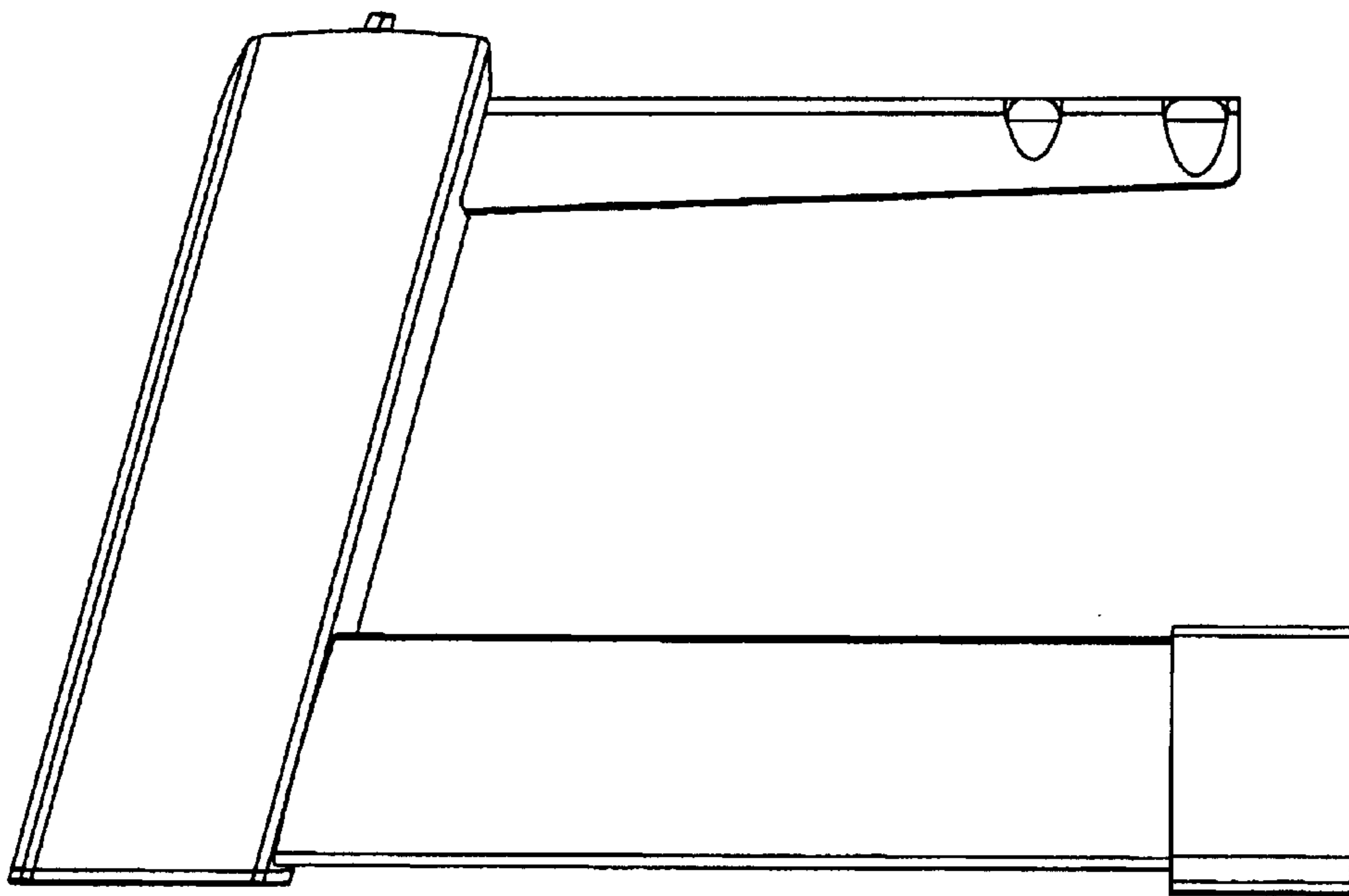


FIG. 6

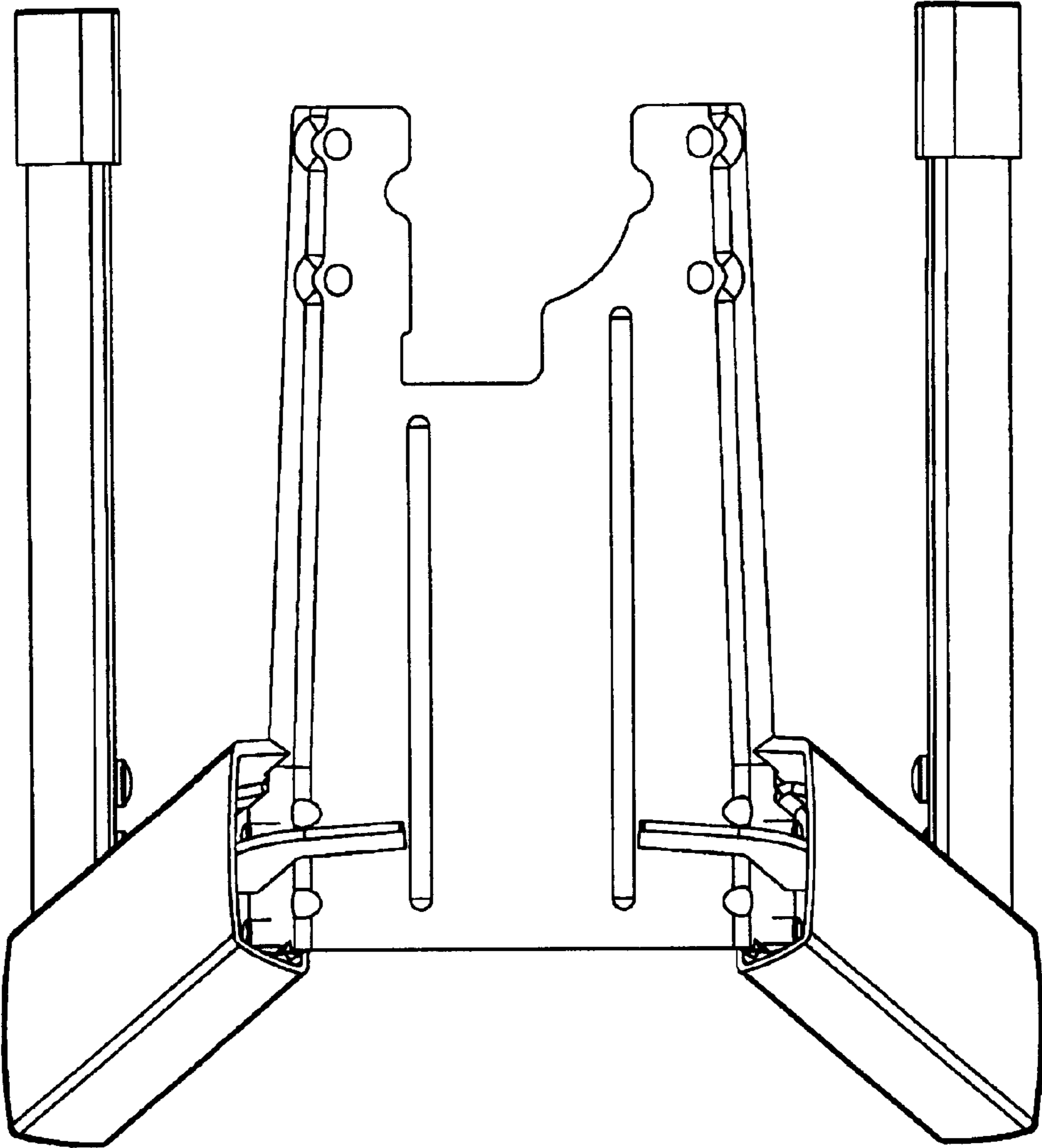


FIG. 7

