



US00D537828S

(12) **United States Design Patent**  
**Croley et al.**

(10) **Patent No.:** **US D537,828 S**  
(45) **Date of Patent:** **\*\* Mar. 6, 2007**

(54) **MOBILE DEVICE HOUSING**

(75) Inventors: **Curt Croley**, Stony Brook, NY (US);  
**Carl Thelemann**, East Islip, NY (US);  
**JaeHo Choi**, Whitestone, NY (US)

(73) Assignee: **Symbol Technologies, Inc.**, Holtsville,  
NY (US)

(\*\*) Term: **14 Years**

(21) Appl. No.: **29/244,391**

(22) Filed: **Dec. 8, 2005**

(51) **LOC (8) Cl.** ..... **14-02**

(52) **U.S. Cl.** ..... **D14/453**

(58) **Field of Classification Search** ..... D14/126,  
D14/142, 218, 251, 253, 341, 346, 347, 356,  
D14/420-430, 432, 434, 453, 466; D13/107,  
D13/184; D21/333; 235/435, 486, 462.43,  
235/462.45; 248/159, 678; 320/114-5, 123;  
361/679; 379/455; 382/313, 321; 455/561,  
455/572, 575.1

See application file for complete search history.

(56) **References Cited**

**U.S. PATENT DOCUMENTS**

D414,172 S	*	9/1999	Hetfield et al.	.....	D14/426
D414,470 S	*	9/1999	Chacon et al.	.....	D14/341
D414,760 S	*	10/1999	Hetfield et al.	.....	D14/426
6,014,009 A	*	1/2000	Wierzbicki et al.	.....	320/107
D436,591 S	*	1/2001	Abston et al.	.....	D14/341
D458,264 S	*	6/2002	MacGregor	.....	D14/426
D462,357 S	*	9/2002	Jenkins	.....	D14/426
D467,578 S	*	12/2002	Ichijima et al.	.....	D14/218
D473,872 S	*	4/2003	Ausems et al.	.....	D14/420

D496,366 S	*	9/2004	Croley et al.	.....	D14/429
D501,207 S	*	1/2005	Ohta et al.	.....	D14/346
D505,422 S	*	5/2005	Kakizaki et al.	.....	D14/347
2002/0193082 A1	*	12/2002	Uemura et al.	.....	455/90

**OTHER PUBLICATIONS**

Sandia National Laboratories, Sandia BROOM tool can help restore facilities following release of biological warfare agents, Apr. 21, 2005, available at <http://www.sandia.gov/news/resources/releases/2005/def-nonprolif-sec/broom.html>.\*

\* cited by examiner

*Primary Examiner*—Alan P. Douglas

*Assistant Examiner*—Angela J. Lee

(74) *Attorney, Agent, or Firm*—Fay Kaplun & Marcin, LLP

(57) **CLAIM**

The ornamental design for a mobile device housing, as shown and described.

**DESCRIPTION**

FIG. 1 is a first side view of an ornamental design of an embodiment of a mobile device housing showing our new design;

FIG. 2 is a second side view thereof;

FIG. 3 is a top view thereof;

FIG. 4 is a third side view thereof;

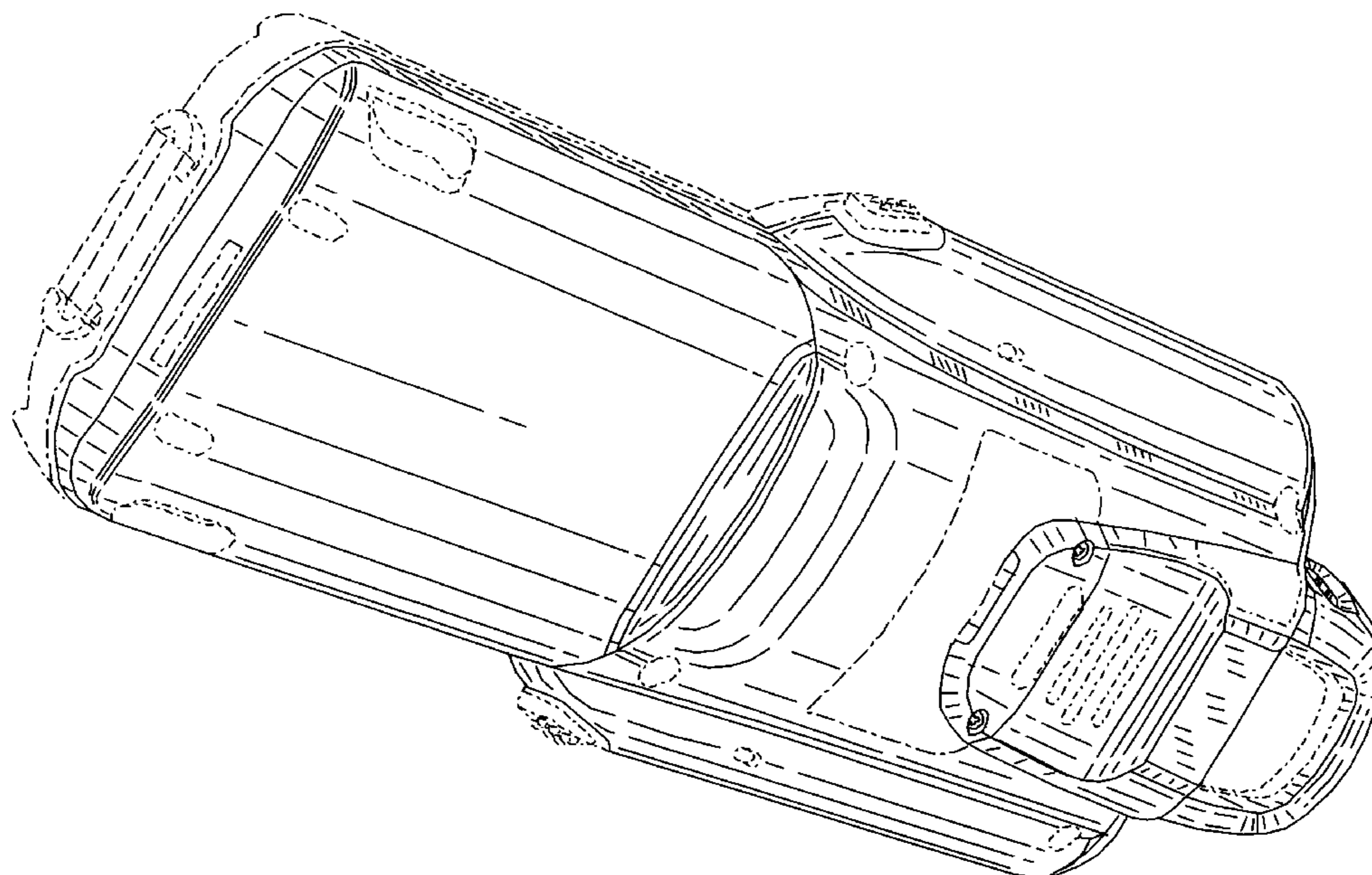
FIG. 5 is a fourth side view thereof;

FIG. 6 is a bottom view thereof; and,

FIG. 7 is an isometric view thereof.

The broken lines shown in FIGS. 1-7 are included for illustrative purposes only and form no part of the claimed design.

**1 Claim, 5 Drawing Sheets**



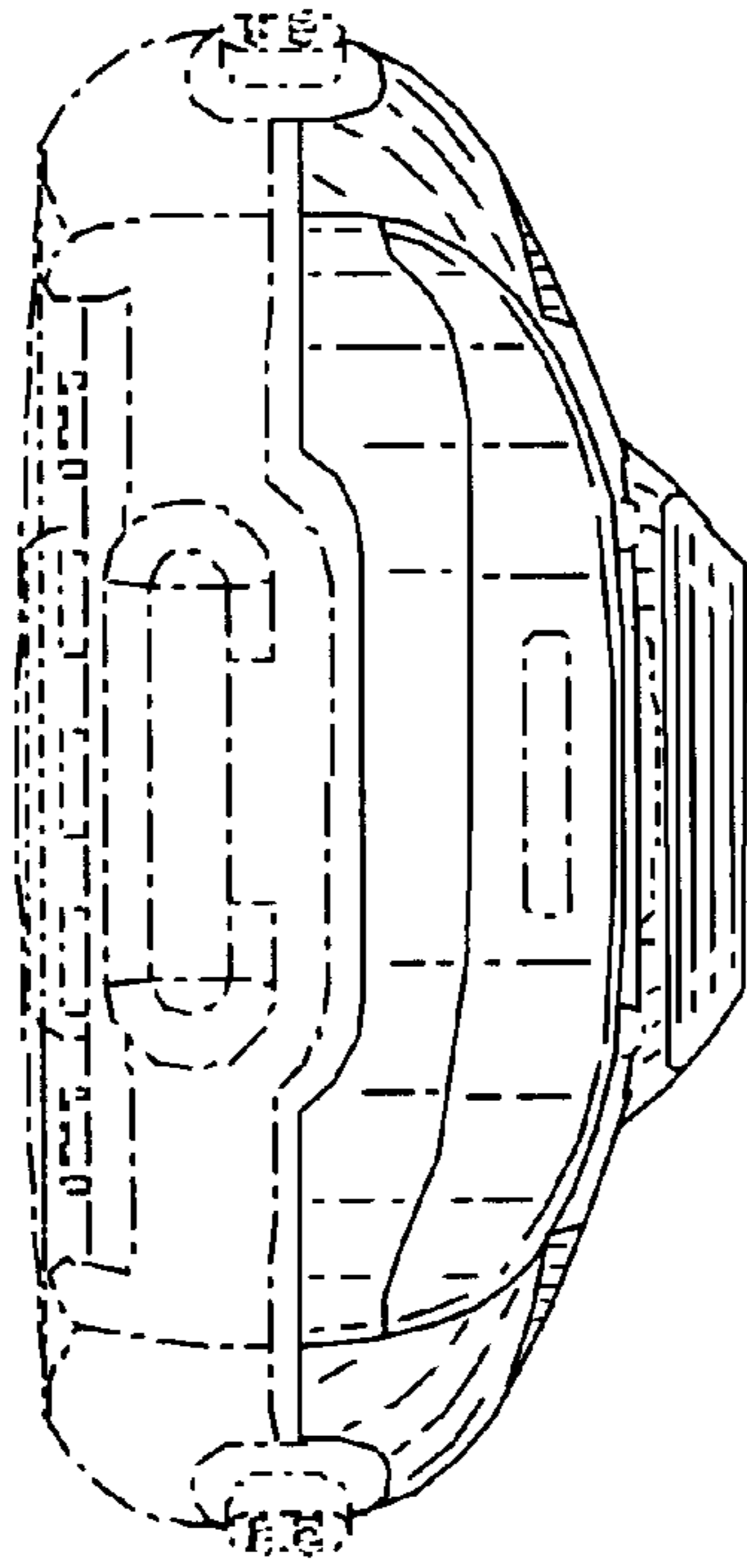


FIG. 2

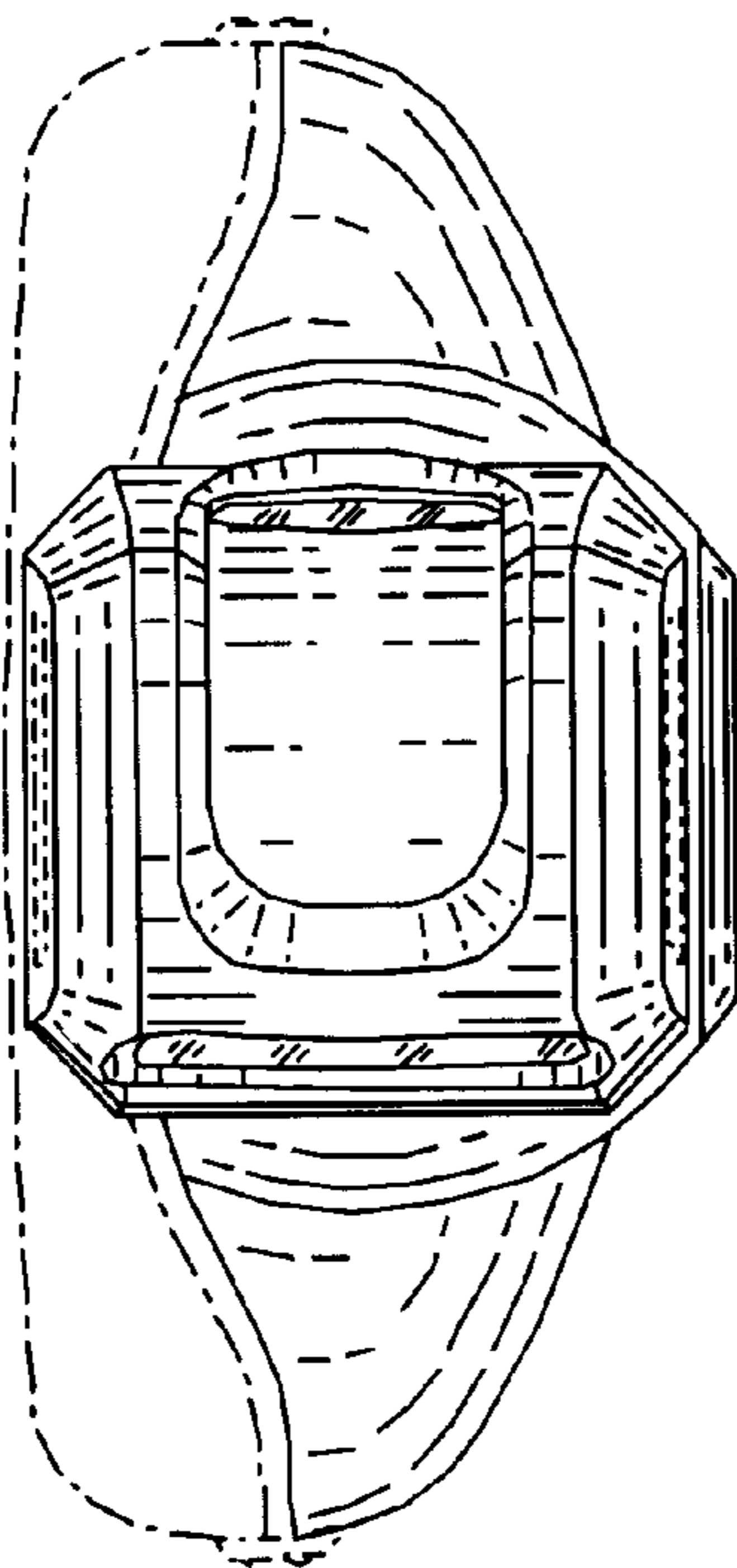


FIG. 1

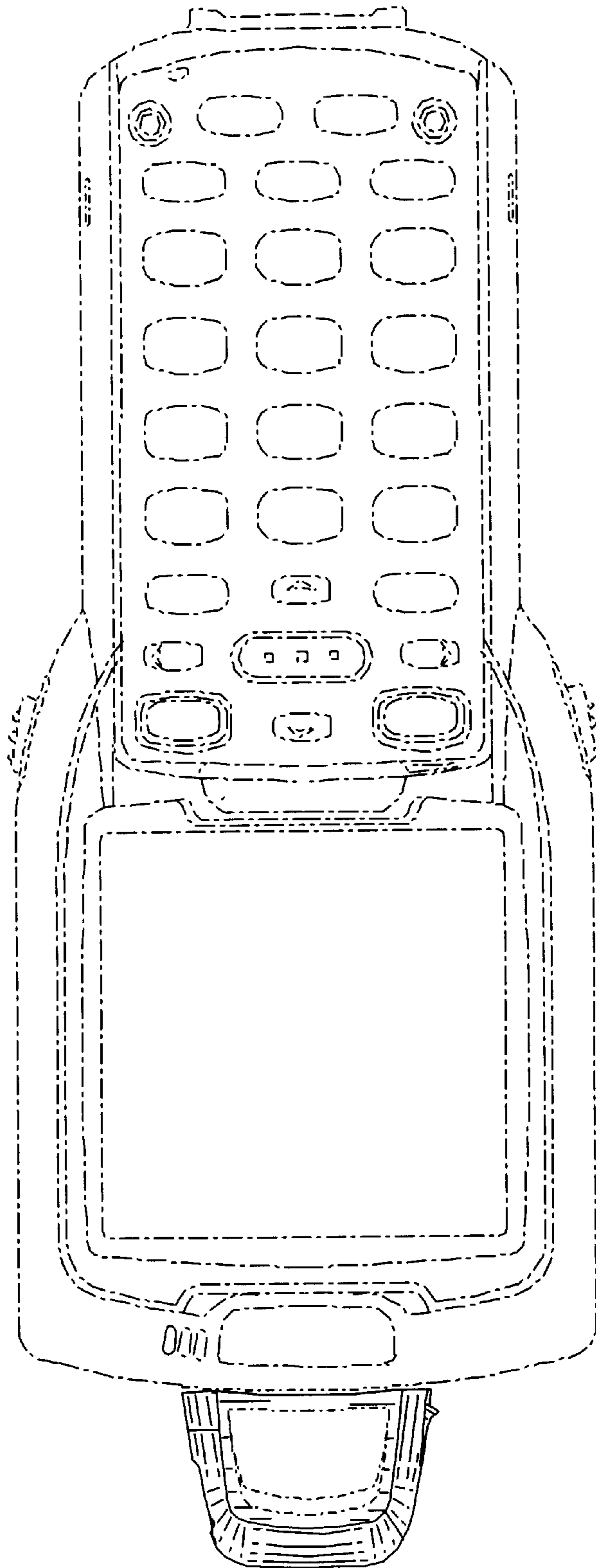


FIG. 3

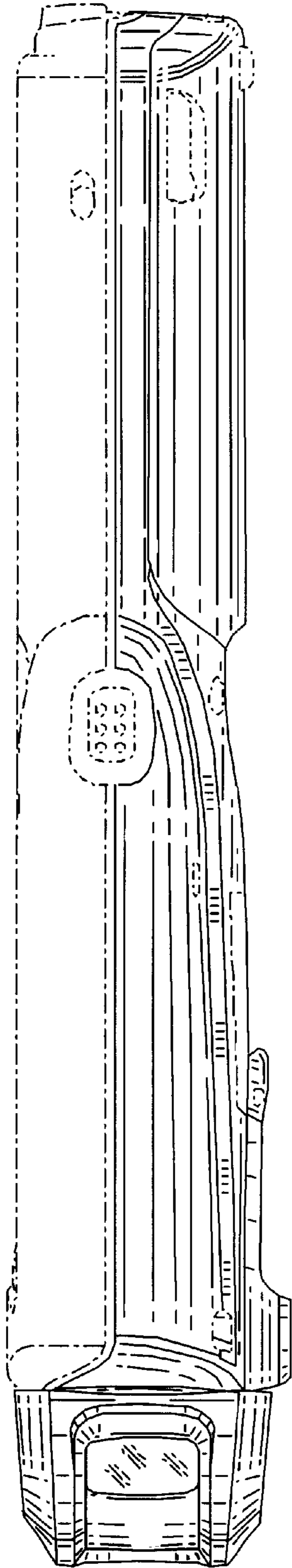


FIG. 4

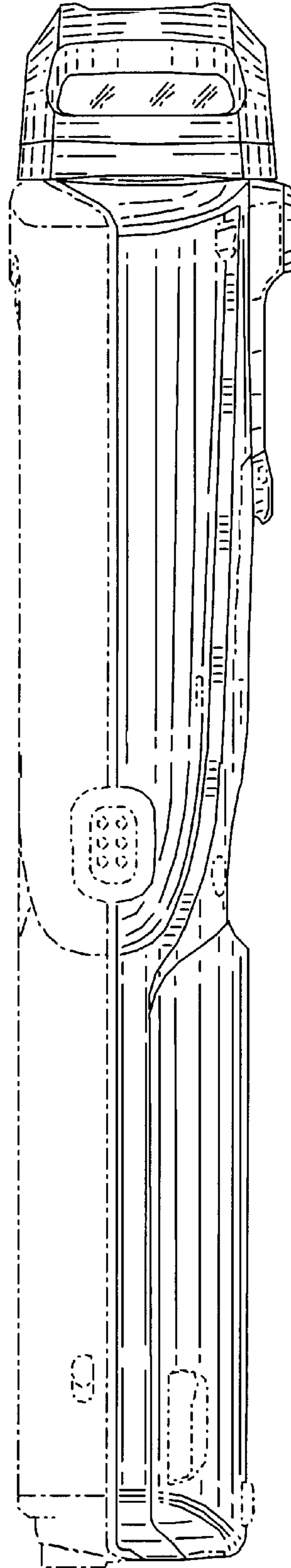


FIG. 5

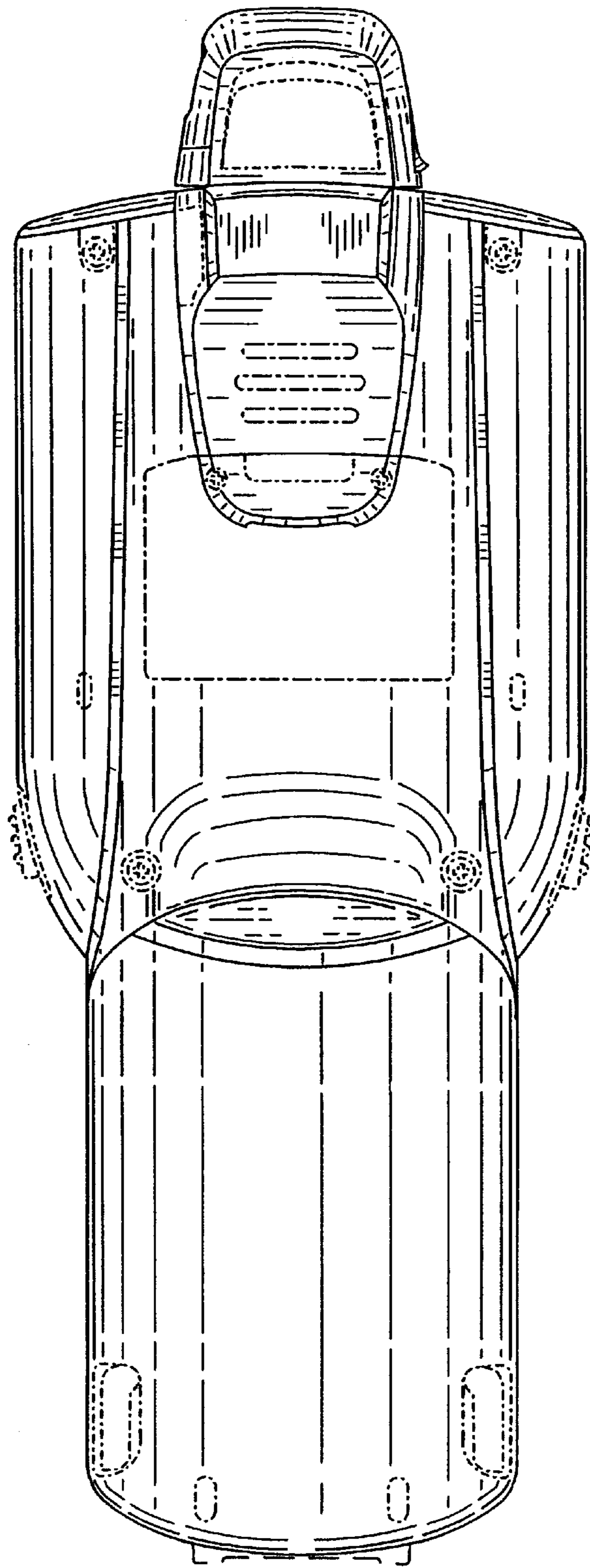


FIG. 6

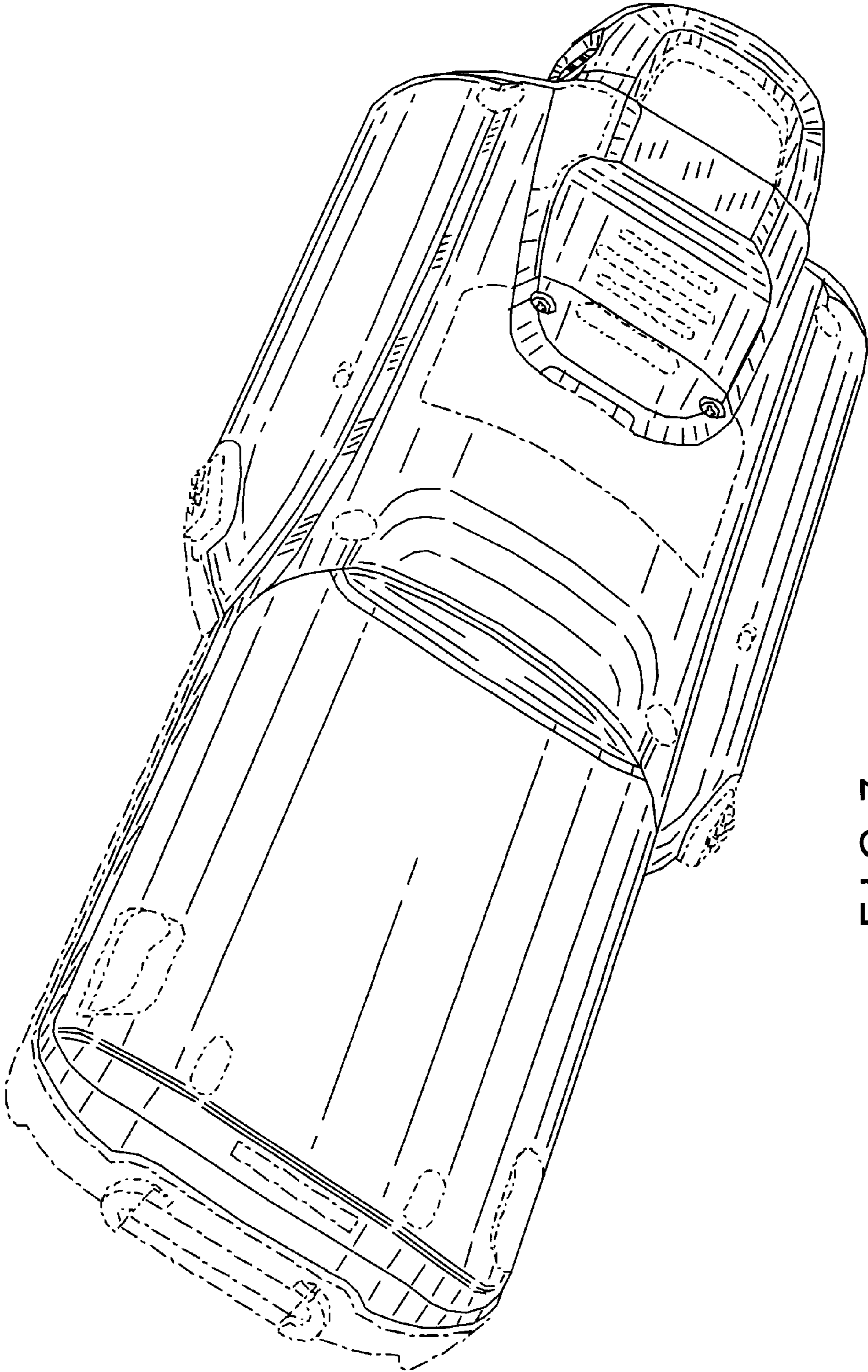


FIG. 7