



US00D537820S

(12) **United States Design Patent**
Hsu

(10) **Patent No.:** **US D537,820 S**
(45) **Date of Patent:** **** Mar. 6, 2007**

(54) **STORAGE DEVICE**

(75) Inventor: **Kao-Yu Hsu**, Taipei (TW)

(73) Assignee: **Inventec Multimedia & Telecom Corporation**, Taipei (TW)

(**) Term: **14 Years**

(21) Appl. No.: **29/255,574**

(22) Filed: **Mar. 10, 2006**

(51) **LOC (8) Cl.** **14-02**

(52) **U.S. Cl.** **D14/356**

(58) **Field of Classification Search** D14/137,
D14/156, 167, 240, 242, 299, 348, 356, 384-85,
D14/402, 432-5, 496; 361/685-6; 365/63,
365/131; 439/139-41, 144, 518, 638; 710/62,
710/74

See application file for complete search history.

(56) **References Cited**

U.S. PATENT DOCUMENTS

D471,911 S * 3/2003 Takiguchi et al. D14/432
D475,359 S * 6/2003 Hirose D14/167
6,758,689 B1 * 7/2004 Bair et al. 439/136

D494,175 S * 8/2004 Kawasaki D14/384
D500,484 S * 1/2005 Deguchi D14/167
D509,199 S * 9/2005 Haase et al. D14/137
6,952,742 B2 * 10/2005 Hisano 710/3
D511,770 S * 11/2005 Chung D14/240

* cited by examiner

Primary Examiner—Robin Webster

Assistant Examiner—Karen E. Patterson

(74) *Attorney, Agent, or Firm*—Rabin & Berdo, P.C.

(57) **CLAIM**

The ornamental design for a storage device, as shown and described.

DESCRIPTION

FIG. 1 is a perspective view of a storage device showing our new design;

FIG. 2 is a front view thereof;

FIG. 3 is a rear view thereof;

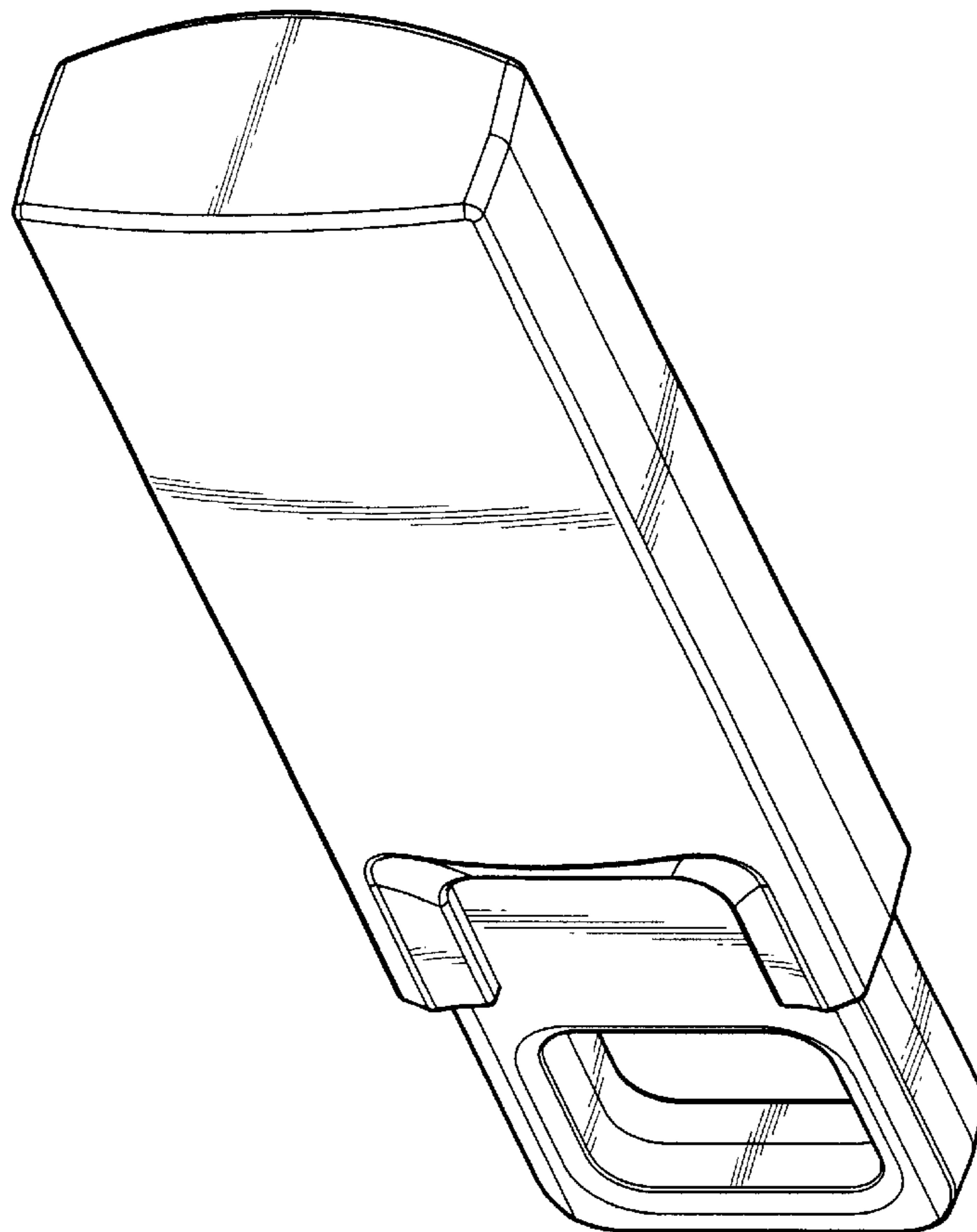
FIG. 4 is a left side elevational view thereof;

FIG. 5 is a right side elevational view thereof;

FIG. 6 is a top view thereof; and,

FIG. 7 is a bottom view thereof.

1 Claim, 4 Drawing Sheets



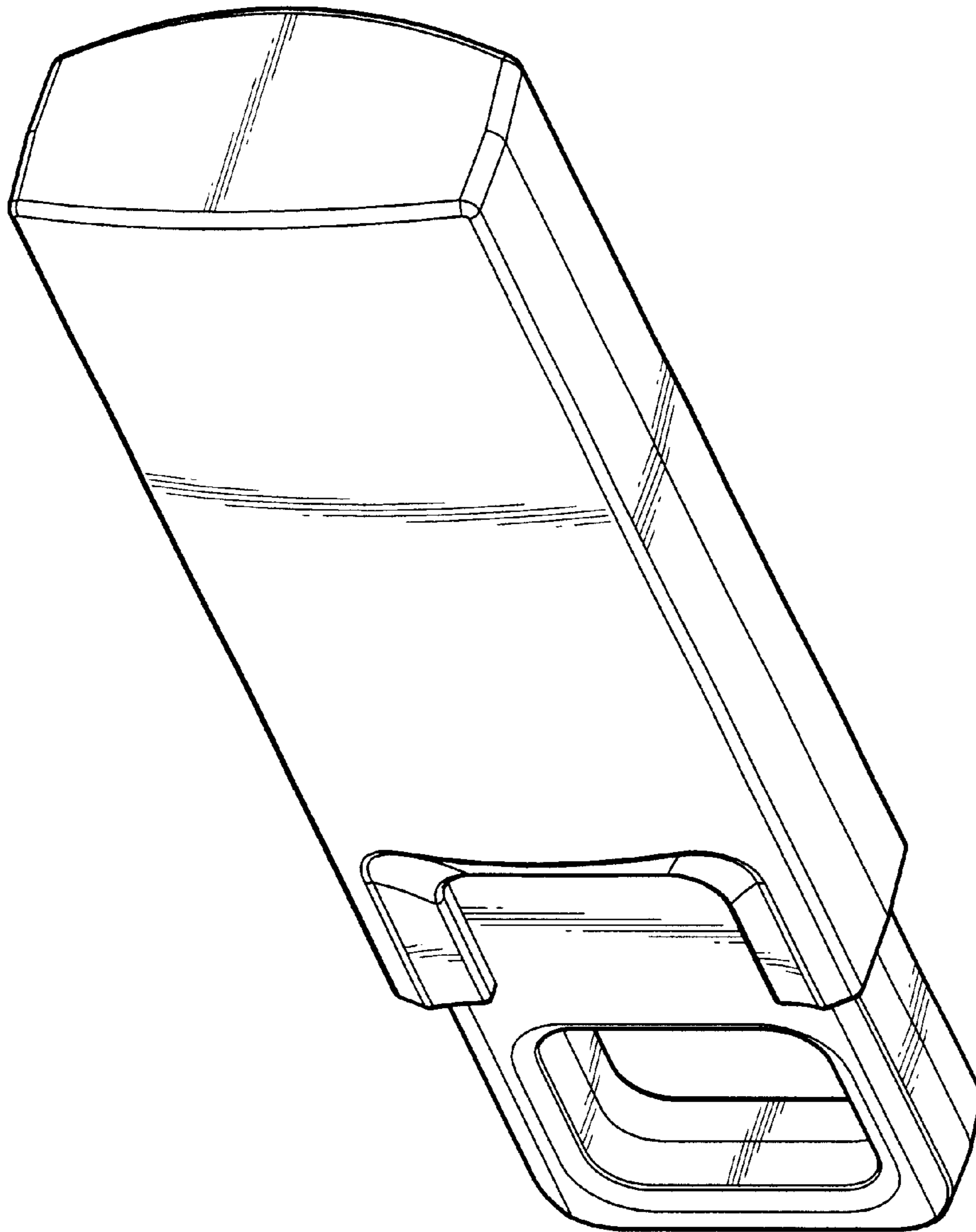


FIG.1

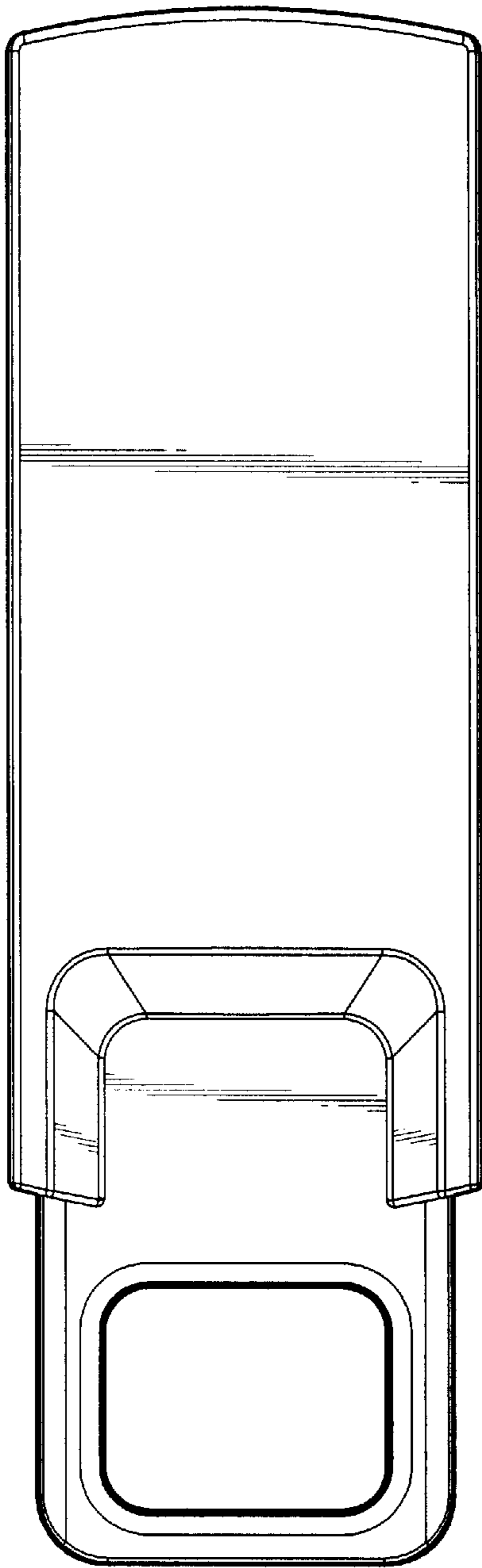


FIG. 2

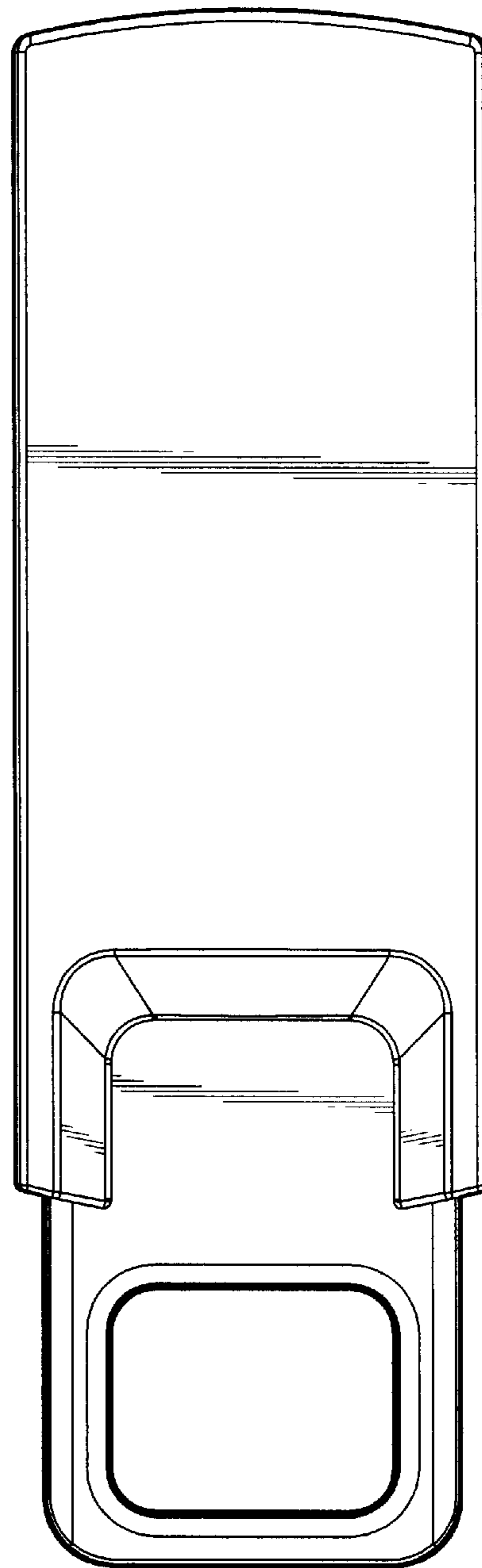


FIG. 3

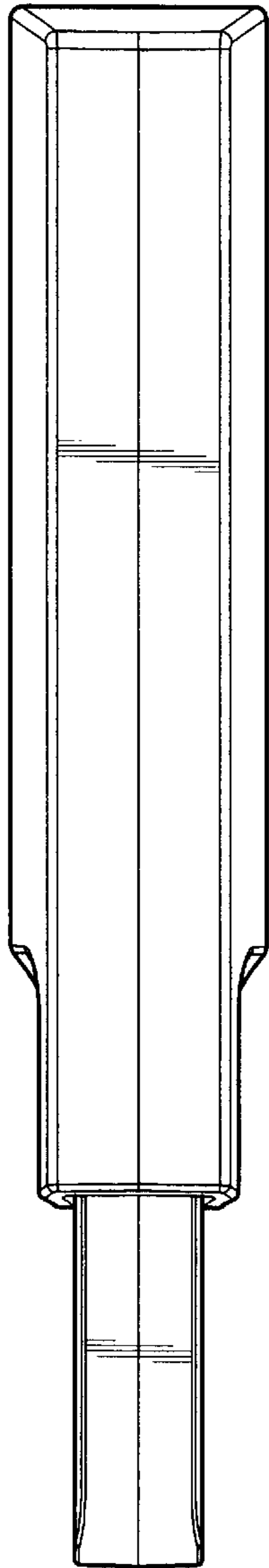


FIG. 4

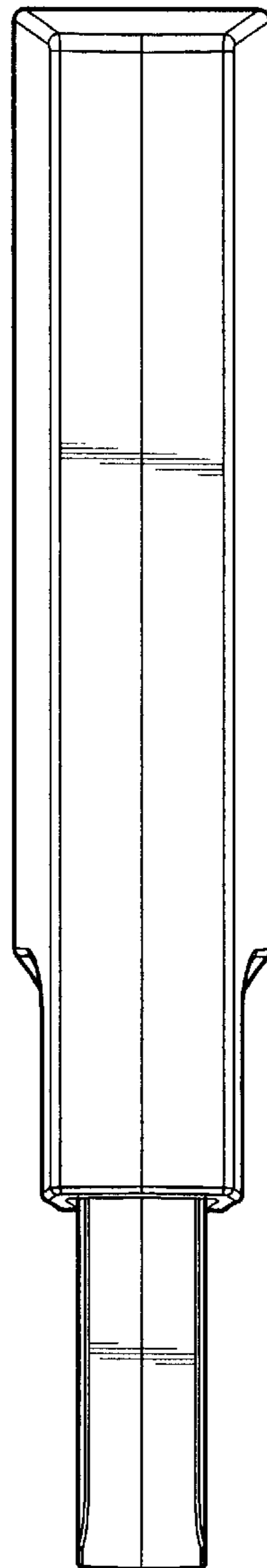


FIG. 5

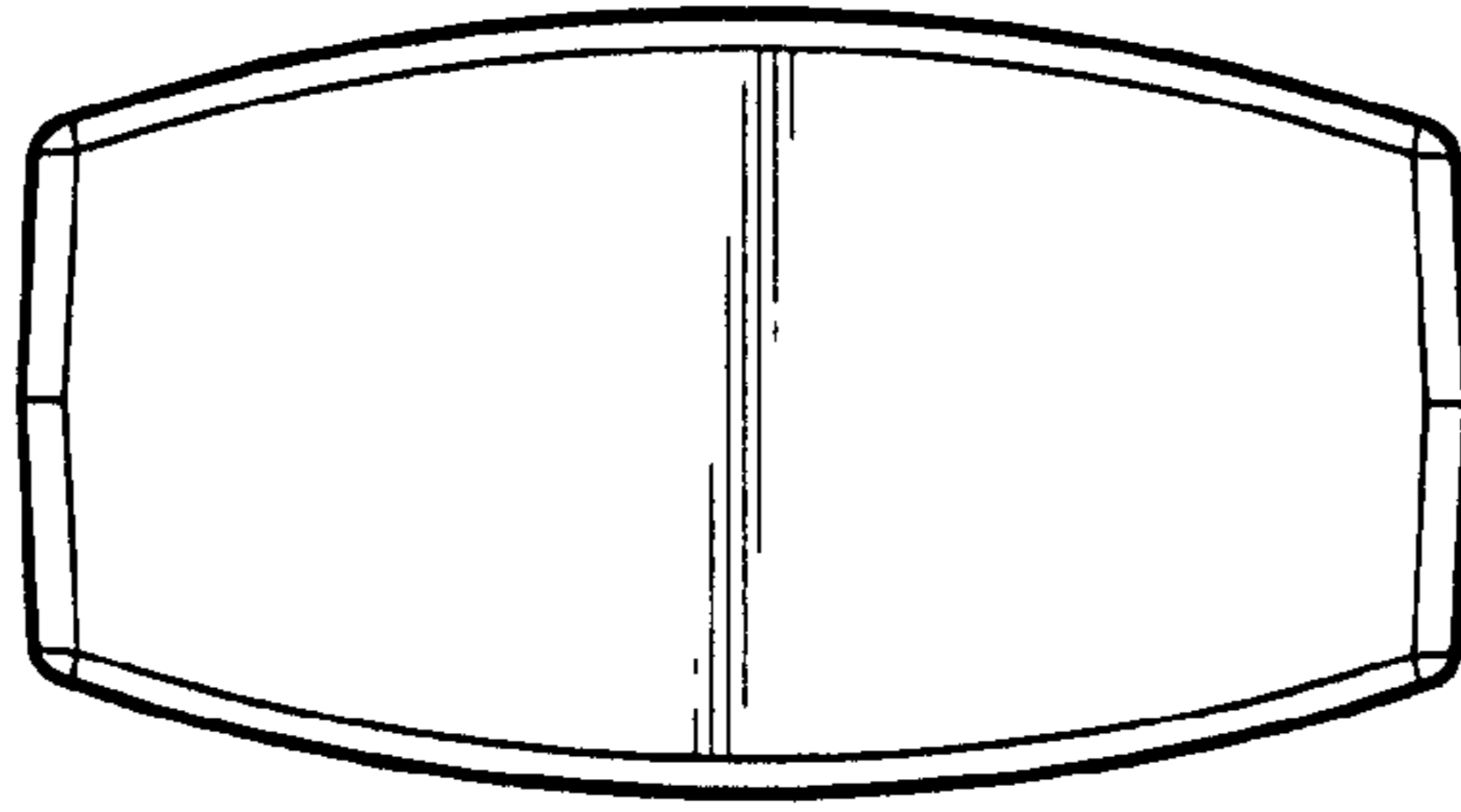


FIG. 6

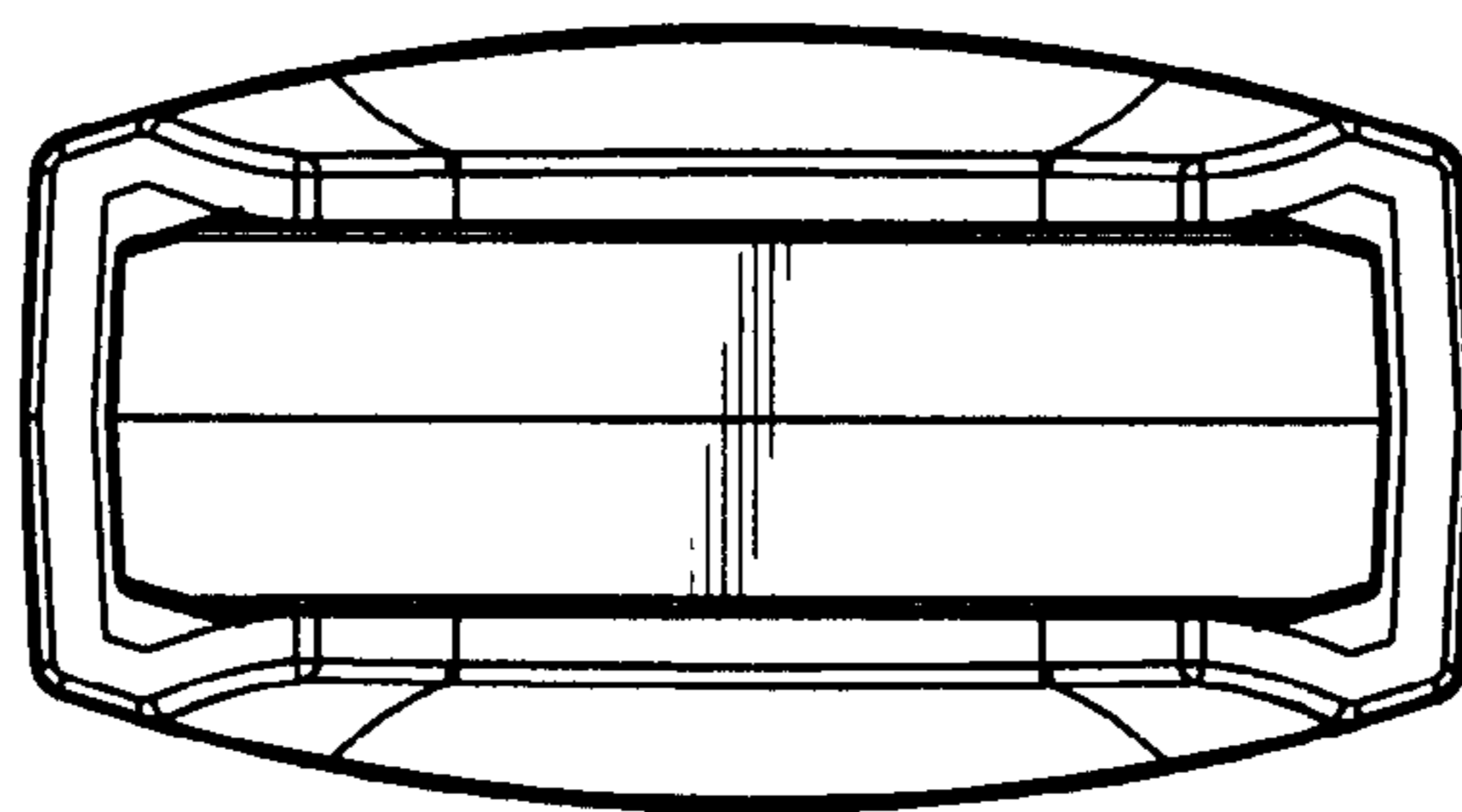


FIG. 7