



US00D537819S

(12) **United States Design Patent**
Zhao et al.

(10) **Patent No.:** **US D537,819 S**
(45) **Date of Patent:** **** Mar. 6, 2007**

(54) **USB FLASH DISK**

(75) Inventors: **Qi-Jun Zhao**, Kunshan (CN); **Mao-Lin Lei**, Kunshan (CN)

(73) Assignee: **Hon Hai Precision Ind. Co., Ltd.**, Taipei Hsien (TW)

(**) Term: **14 Years**

(21) Appl. No.: **29/232,419**

(22) Filed: **Jun. 17, 2005**

(30) **Foreign Application Priority Data**

Dec. 21, 2004 (CN) 200430054730

(51) **LOC (8) Cl.** **14-02**

(52) **U.S. Cl.** **D14/356**

(58) **Field of Classification Search** D14/137,
D14/156, 167, 240, 242, 299, 348, 356, 384-5,
D14/402, 432-5, 496; 361/685-6; 365/63,
365/131; 439/139-41, 144, 518, 638; 710/62,
710/74

See application file for complete search history.

(56) **References Cited**

U.S. PATENT DOCUMENTS

D445,422 S * 7/2001 Hsin D14/385

6,385,677 B1 *	5/2002	Yao	711/115
6,744,634 B2 *	6/2004	Yen	361/752
D500,302 S *	12/2004	Deguchi	D14/167
6,877,994 B2 *	4/2005	Huang	439/76.1
6,900,988 B2 *	5/2005	Yen	361/737
6,948,983 B1 *	9/2005	Peng	439/660
6,999,322 B1 *	2/2006	Lin	361/752
2004/0145875 A1 *	7/2004	Yu et al.	361/752

* cited by examiner

Primary Examiner—Robin Webster

Assistant Examiner—Karen E. Patterson

(74) *Attorney, Agent, or Firm*—Wei Te Chung

(57) **CLAIM**

The ornamental design for a USB flash disk, as shown.

DESCRIPTION

FIG. 1 is a perspective view of a USB flash disk showing our new design;

FIG. 2 is a front elevational view of FIG. 1;

FIG. 3 is a rear elevational view of FIG. 1;

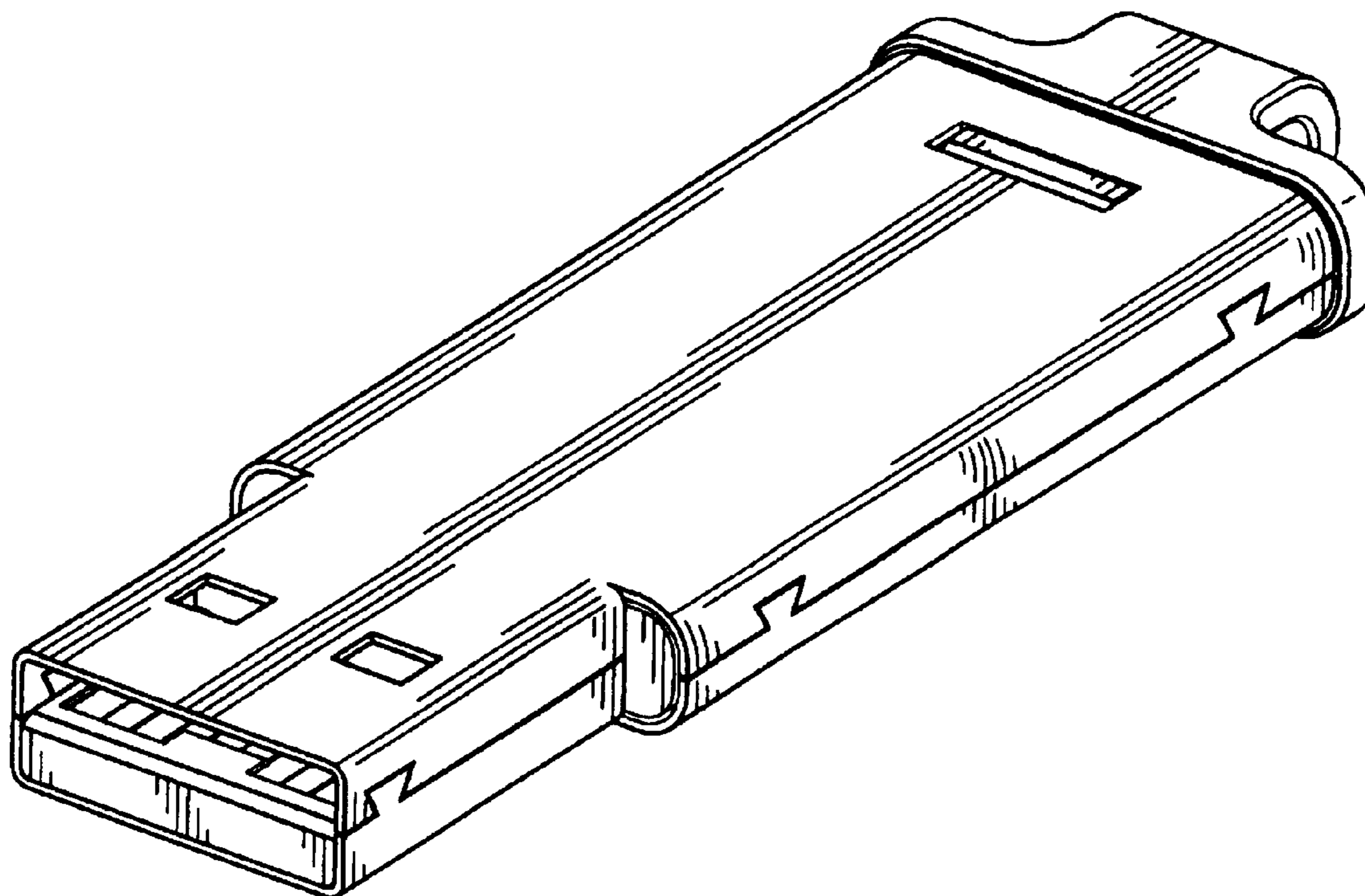
FIG. 4 is a left side elevational view of FIG. 1;

FIG. 5 is a right side elevational view of FIG. 1;

FIG. 6 is a top plan view of FIG. 1; and,

FIG. 7 is a bottom plan view of FIG. 1.

1 Claim, 6 Drawing Sheets



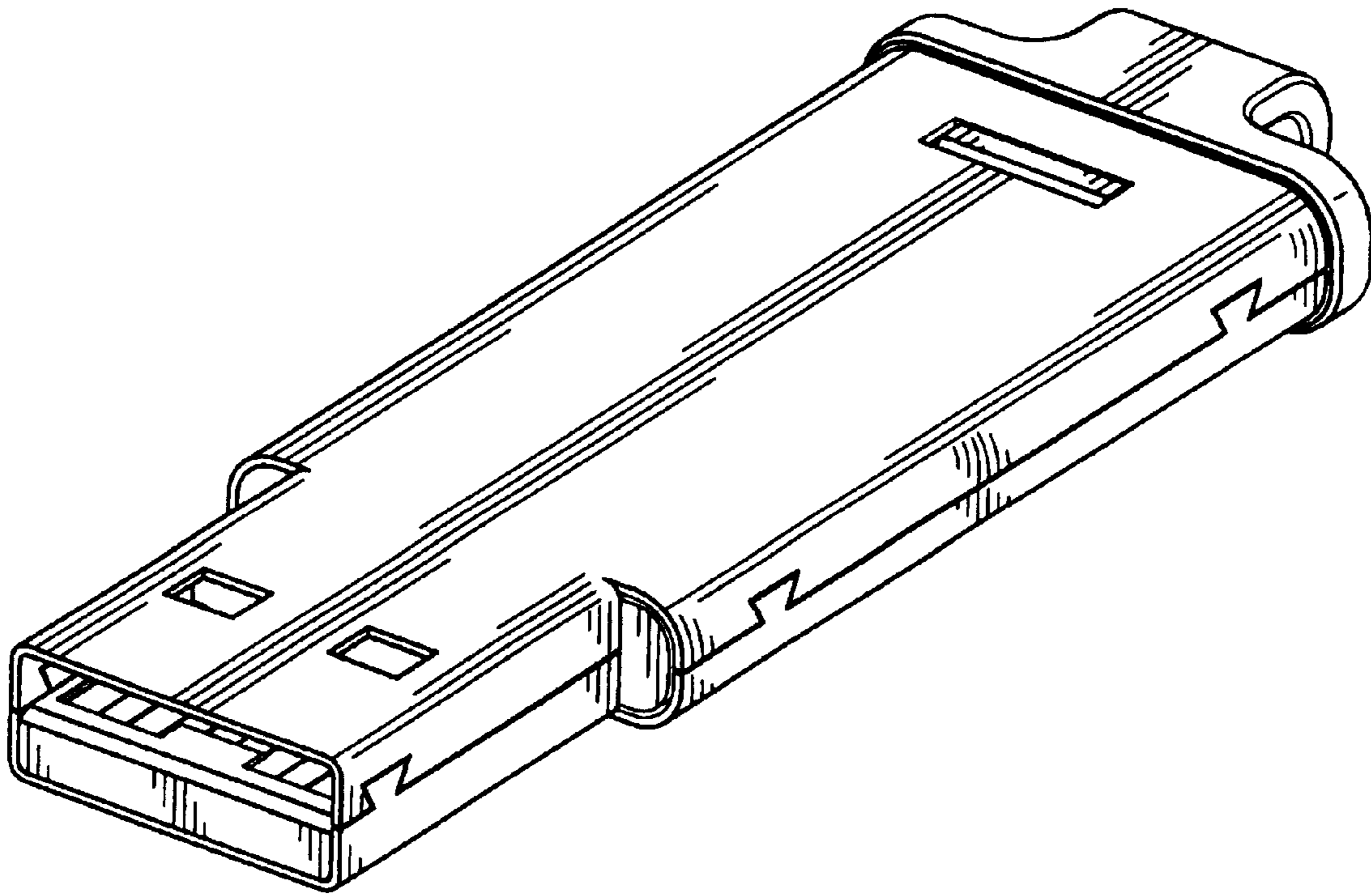


FIG. 1

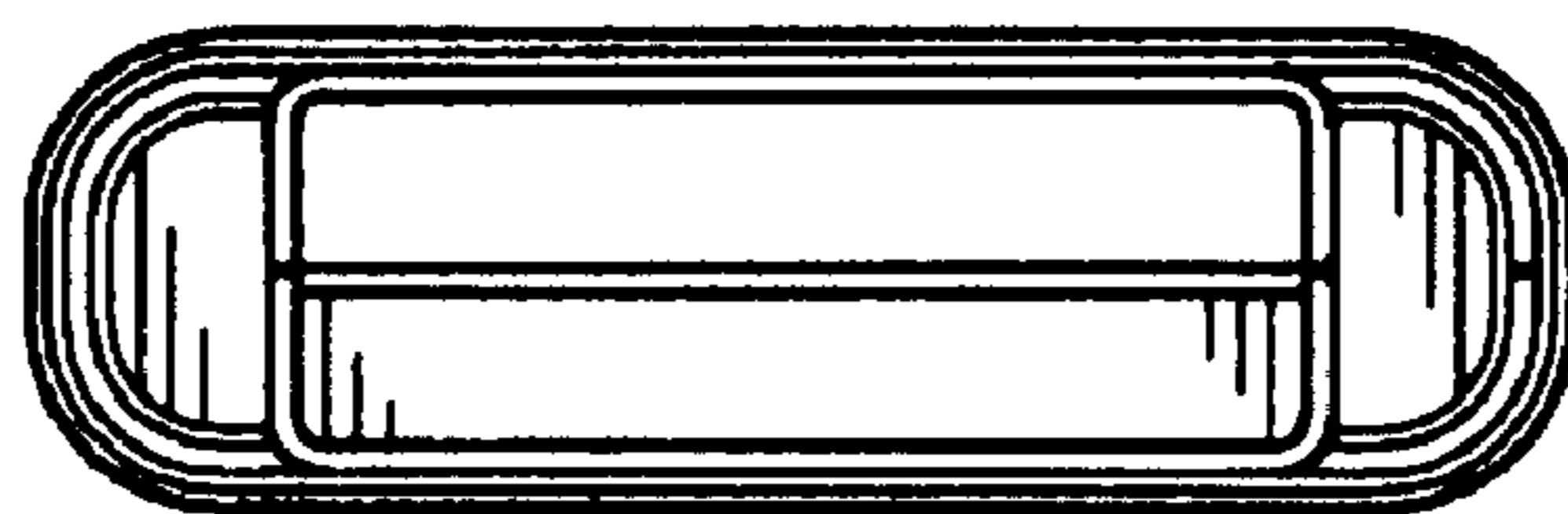


FIG. 2

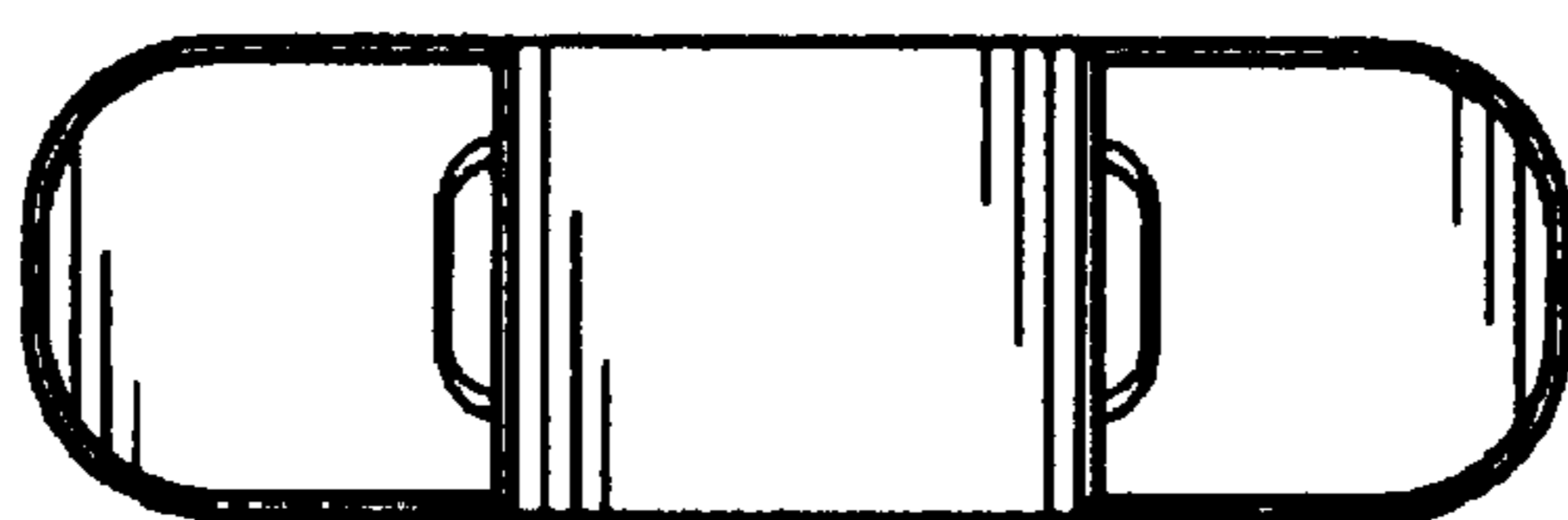


FIG. 3

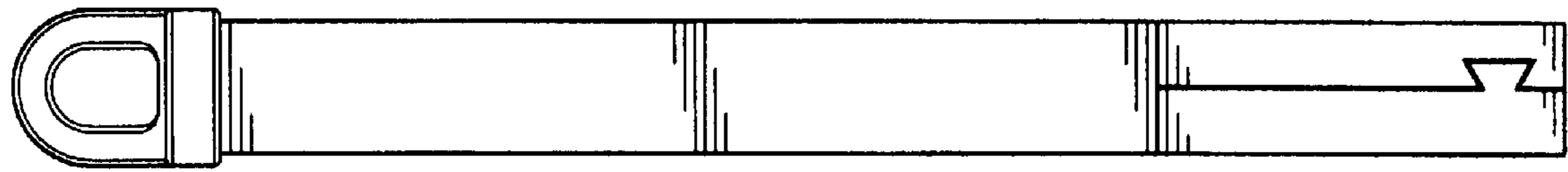


FIG. 4

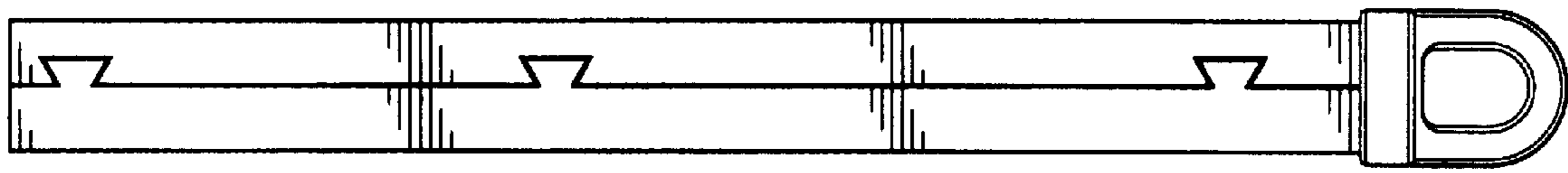


FIG. 5

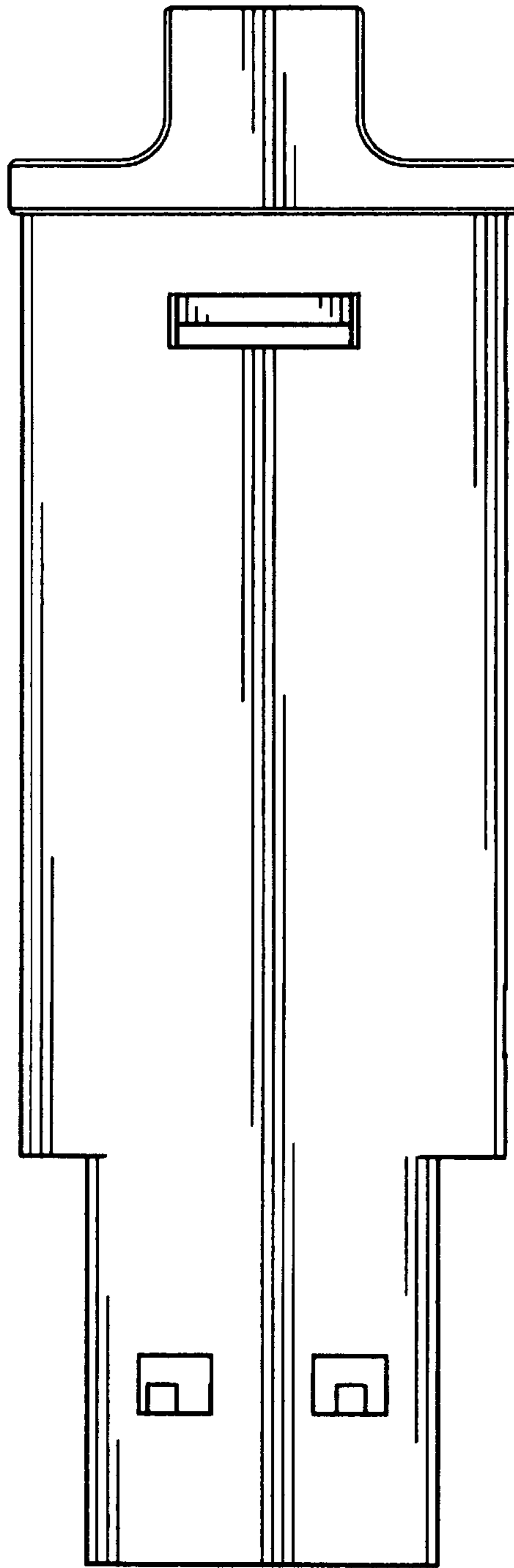


FIG. 6

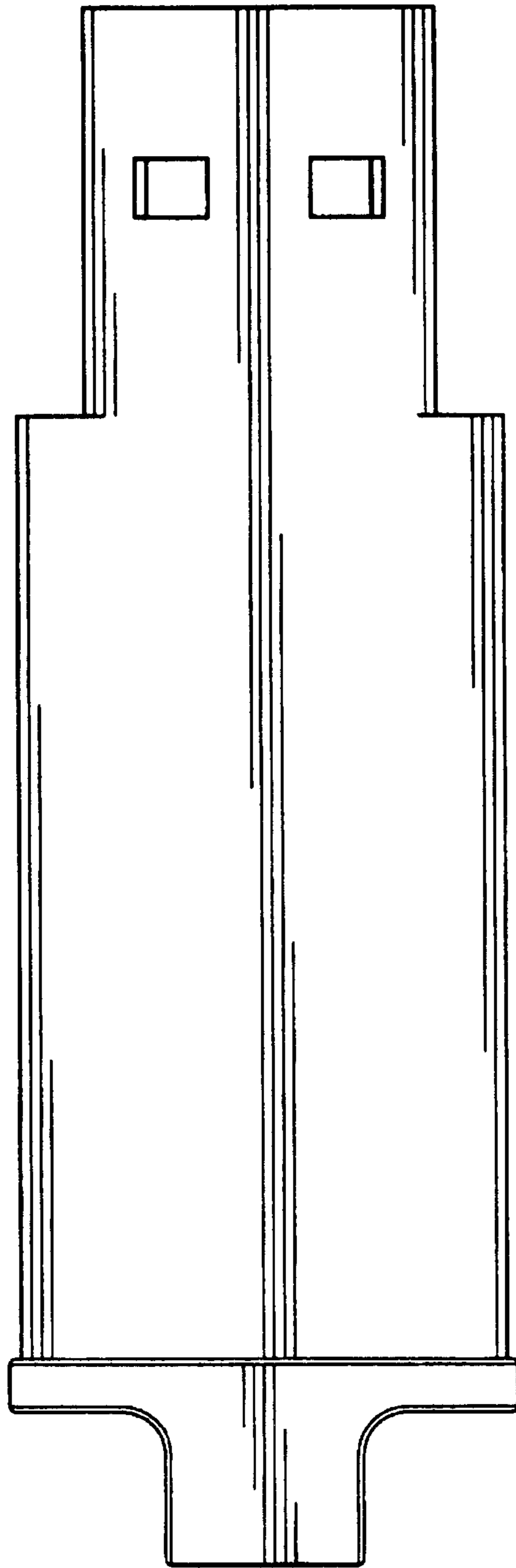


FIG. 7