



US00D537817S

(12) **United States Design Patent** (10) **Patent No.:** **US D537,817 S**  
**Andre et al.** (45) **Date of Patent:** **\*\* Mar. 6, 2007**

(54) **COMPUTING DEVICE**

(75) Inventors: **Bartley K. Andre**, Menlo Park, CA (US); **Daniel J. Coster**, San Francisco, CA (US); **Daniele De Iuliis**, San Francisco, CA (US); **Richard P. Howarth**, San Francisco, CA (US); **Steve Jobs**, Palo Alto, CA (US); **Jonathan P. Ive**, San Francisco, CA (US); **Duncan Robert Kerr**, San Francisco, CA (US); **Shin Nishibori**, San Francisco, CA (US); **Matthew Dean Rohrbach**, San Francisco, CA (US); **Douglas B. Satzger**, Menlo Park, CA (US); **Calvin Q. Seid**, Palo Alto, CA (US); **Christopher J. Stringer**, Portola Valley, CA (US); **Eugene Antony Whang**, San Francisco, CA (US); **Rico Zörkendörfer**, San Francisco, CA (US)

(73) Assignee: **Apple Computer, Inc.**, Cupertino, CA (US)

(\*\*) Term: **14 Years**

(21) Appl. No.: **29/261,774**

(22) Filed: **Jun. 19, 2006**

**Related U.S. Application Data**

(63) Continuation of application No. 29/242,776, filed on Nov. 14, 2005, which is a continuation of application No. 29/220,036, filed on Dec. 23, 2004, and a continuation of application No. 29/220,175, filed on Dec. 23, 2004, now Pat. No. Des. 526,648.

(51) **LOC (8) Cl.** ..... **14-02**

(52) **U.S. Cl.** ..... **D14/314**

(58) **Field of Classification Search** ..... D14/314, D14/348, 363-369, 354-356; D13/162, 184, D13/199; 312/223.1-223.3; 360/99.01-99.12; 369/34.01, 36.01; 361/680-686, 690-696

See application file for complete search history.

(56) **References Cited**

U.S. PATENT DOCUMENTS

D347,212 S	5/1994	Riley	
D373,117 S	8/1996	Barthelemy et al.	
D426,831 S	6/2000	Hu	
D435,845 S	1/2001	Piersol	
D461,187 S	8/2002	Andre et al.	
D494,579 S	8/2004	Chuang et al.	
D526,648 S	* 8/2006	Andre et al. ....	D14/314

FOREIGN PATENT DOCUMENTS

JP 1241896 6/2005

OTHER PUBLICATIONS

“Eyegonomic Eyebox,” downloaded on Feb. 7, 2005, <http://www.eyegonomic.com/page=205>.

Notice of Reason(s) for Refusal, re: corresponding Japanese Design Application No. 2005-017533, Oct. 14, 2005.

\* cited by examiner

*Primary Examiner*—Freda S. Nunn

(74) *Attorney, Agent, or Firm*—Beyer Weaver & Thomas, LLP

(57) **CLAIM**

We claim the ornamental design for a computing device, substantially as shown and described.

**DESCRIPTION**

FIG. 1 is a front top perspective view of a computing device in accordance with the present design. The computing device may for example correspond to a personal computer. FIG. 2 is a rear bottom perspective view for the computing device.

FIG. 3 is a front view for the computing device.

FIG. 4 is a rear view for the computing device.

FIG. 5 is a right side view for the computing device.

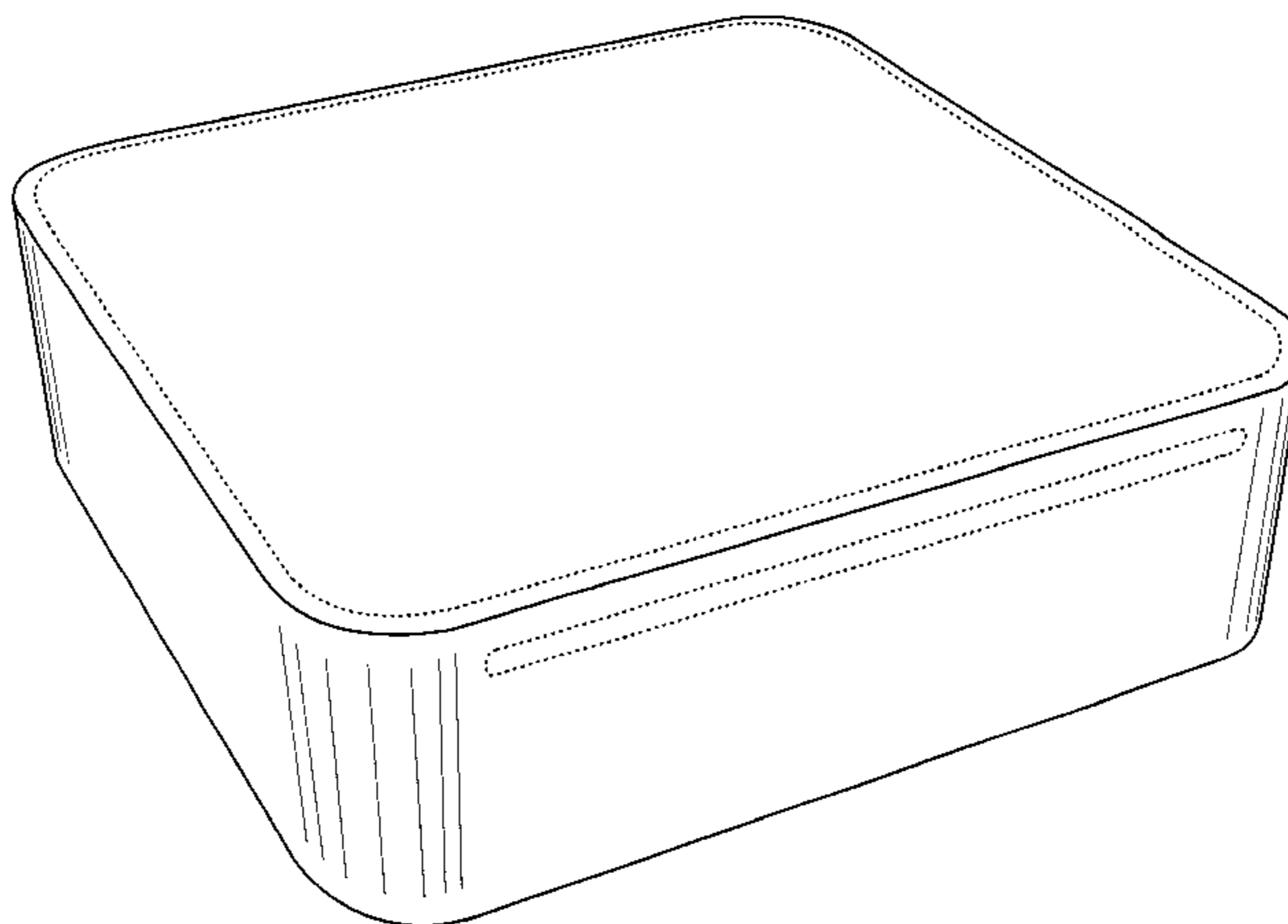
FIG. 6 is a left side view for the computing device.

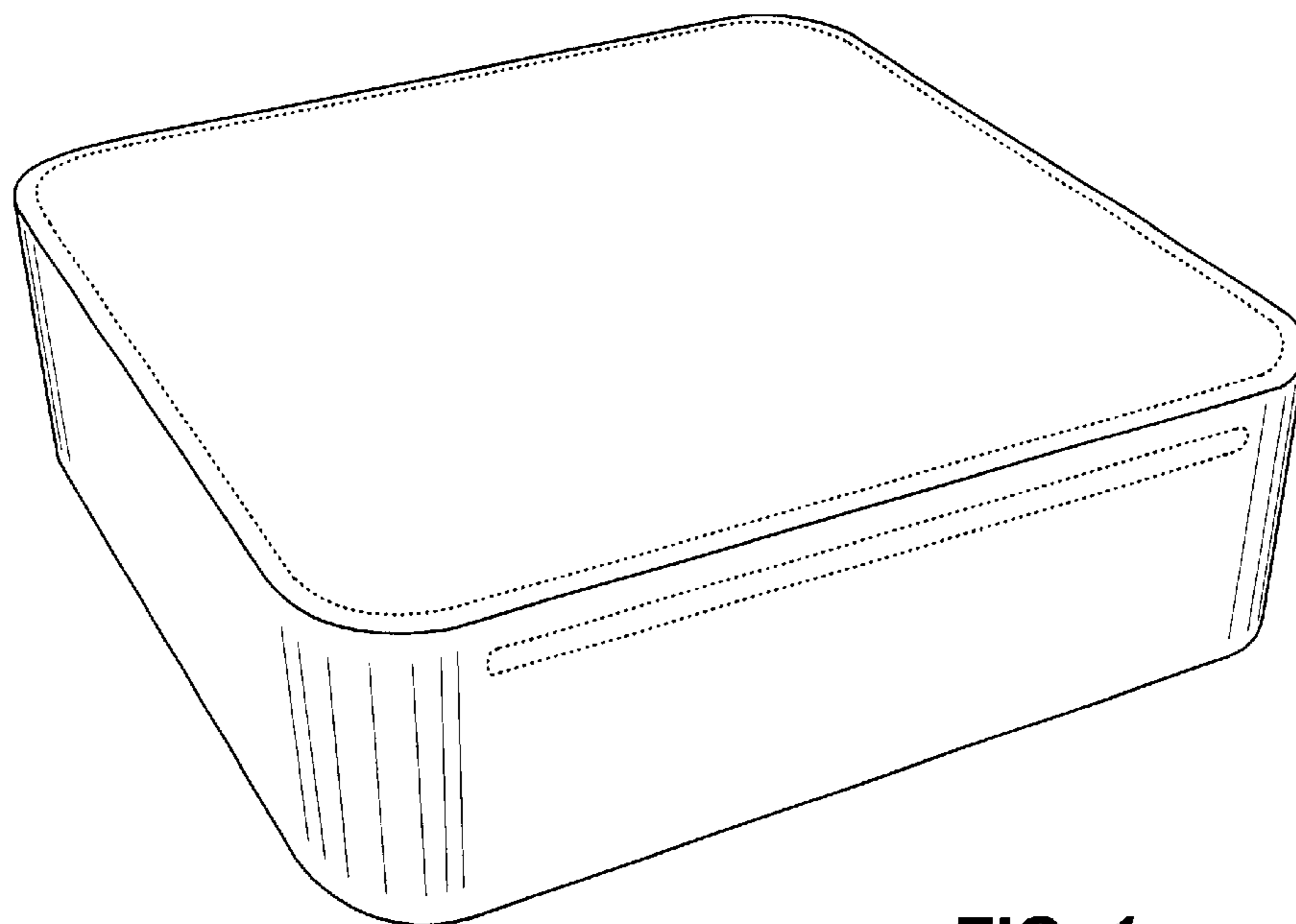
FIG. 7 is a top view for the computing device; and,

FIG. 8 is a bottom view for the computing device.

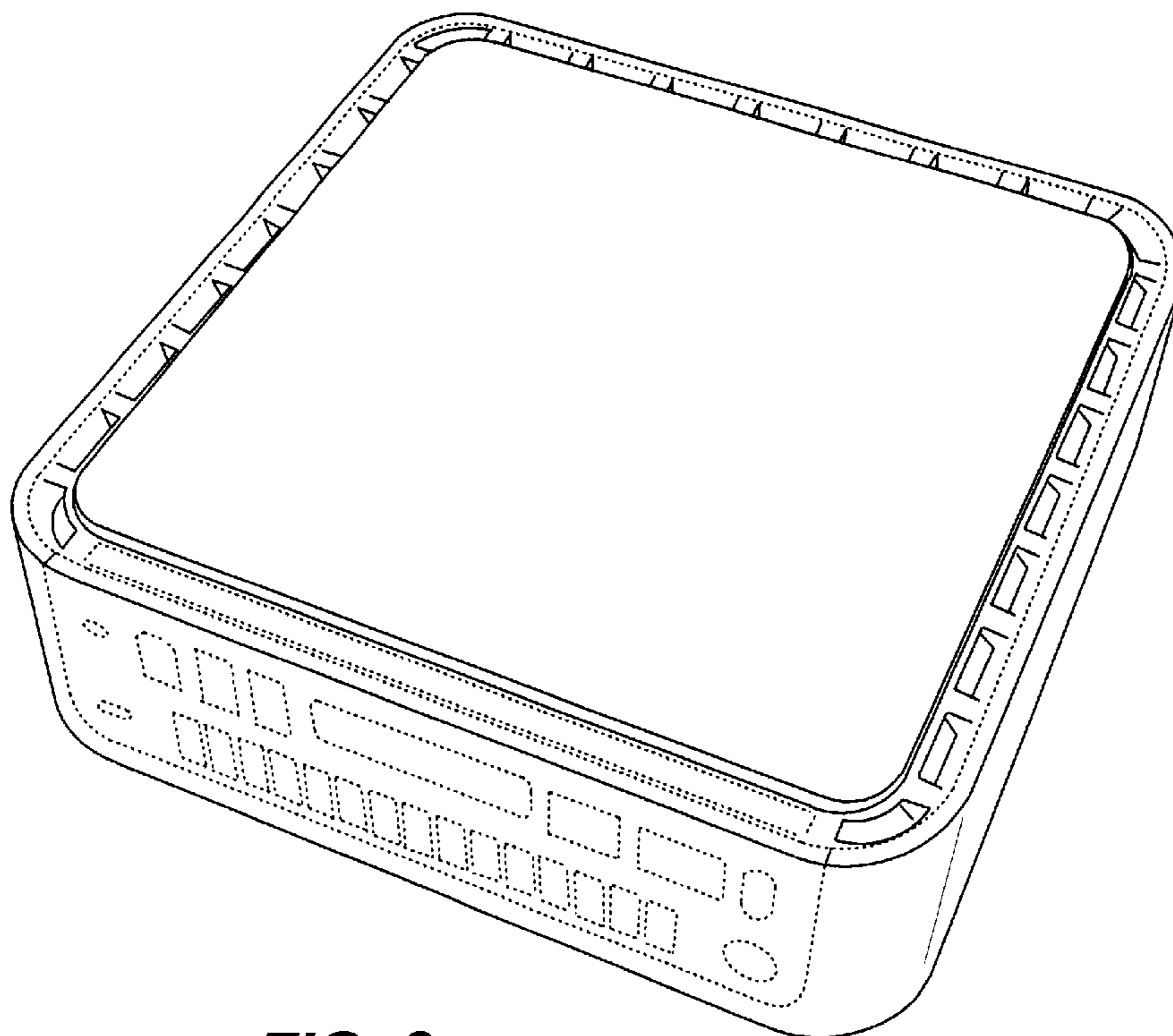
The broken lines are shown in the figures for illustrative purposes only and form no part of the claimed design.

**1 Claim, 3 Drawing Sheets**

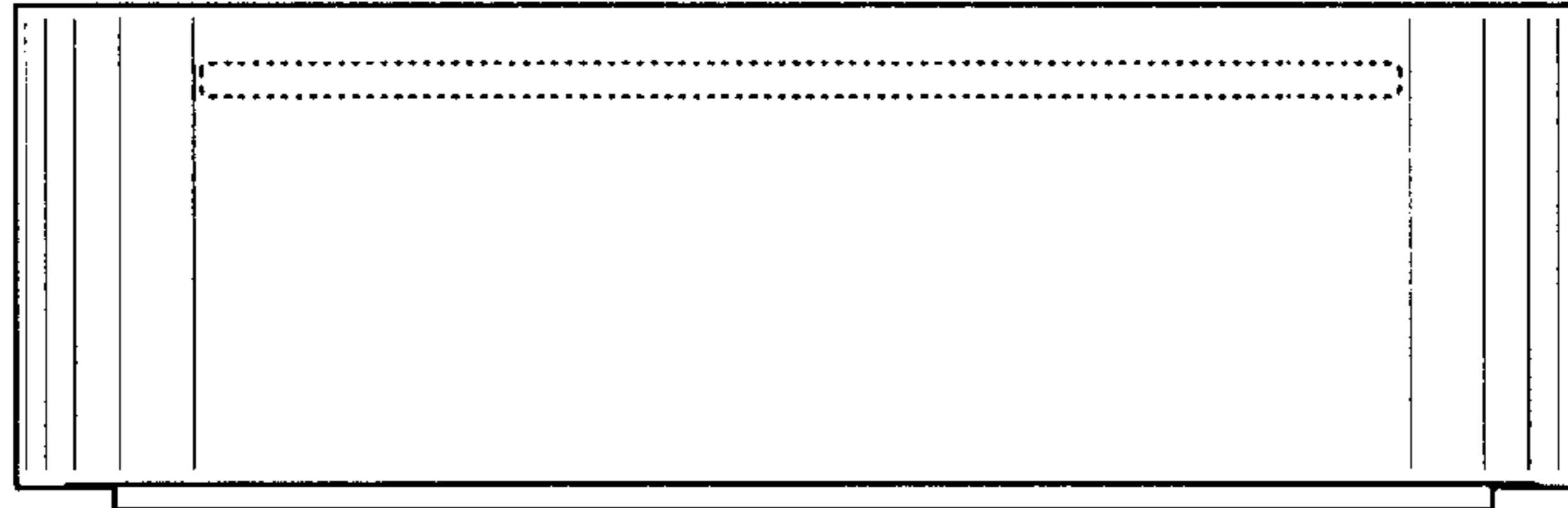




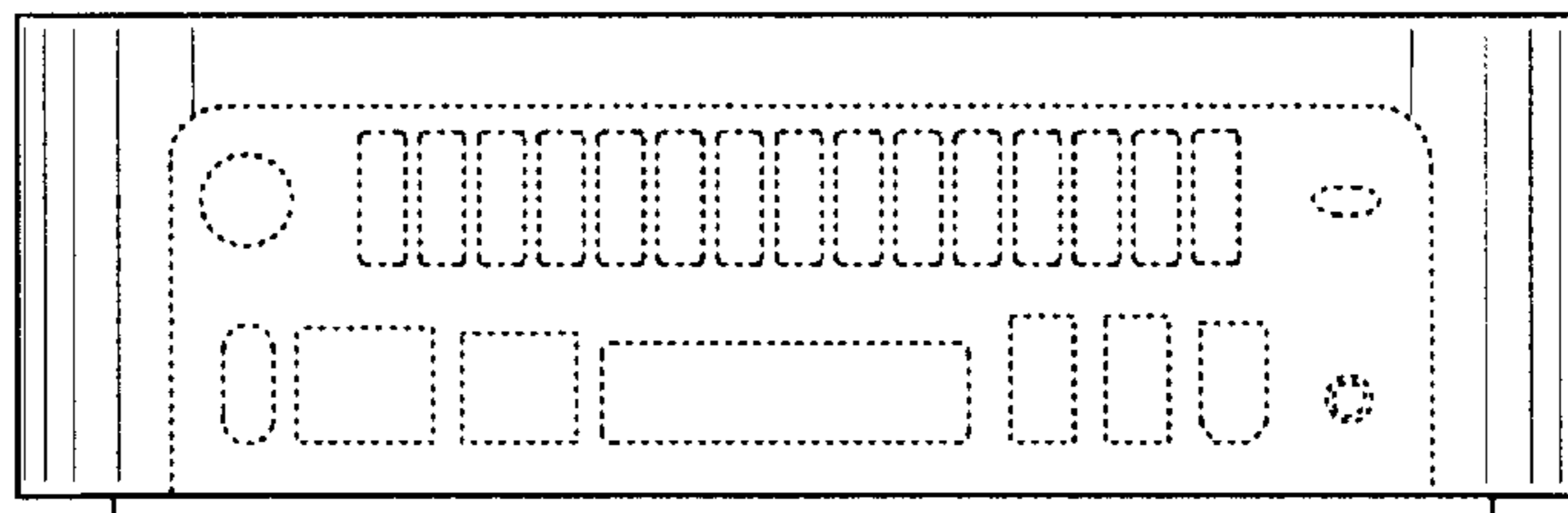
**FIG. 1**



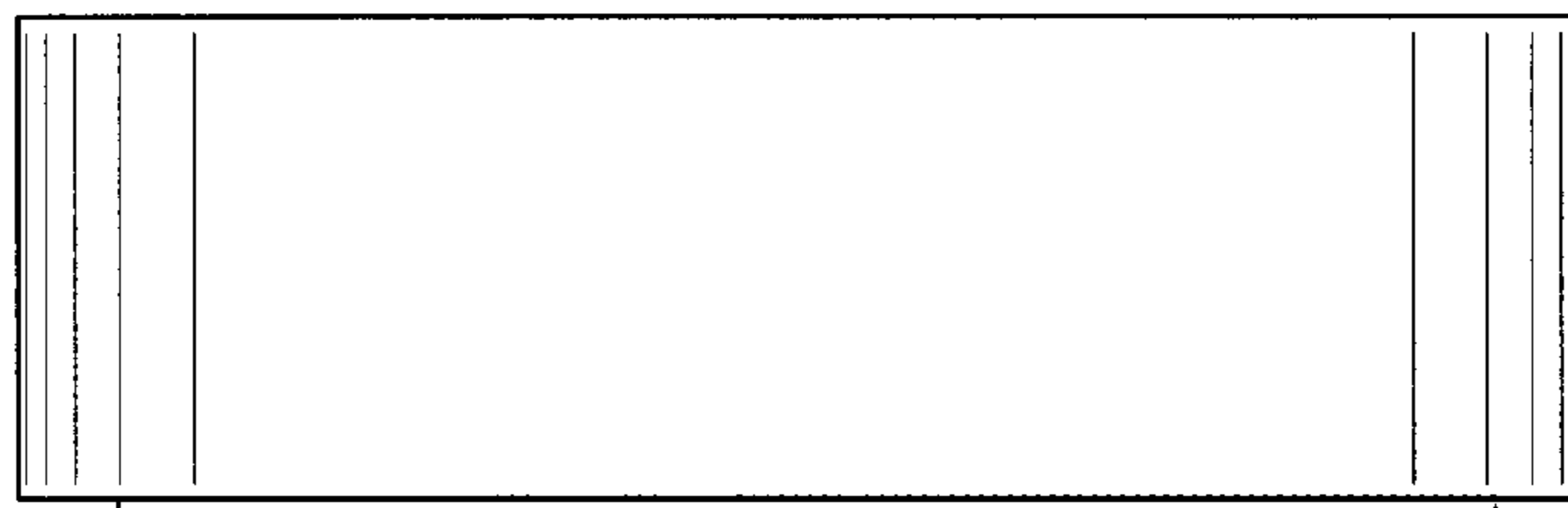
**FIG. 2**



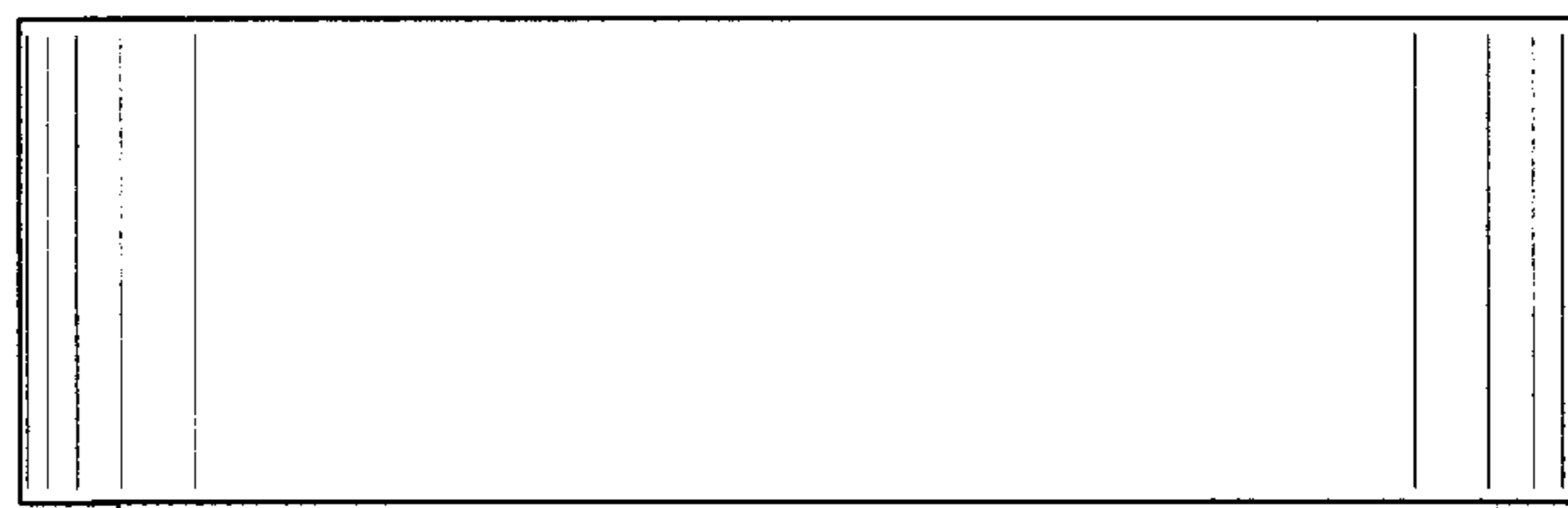
**FIG. 3**



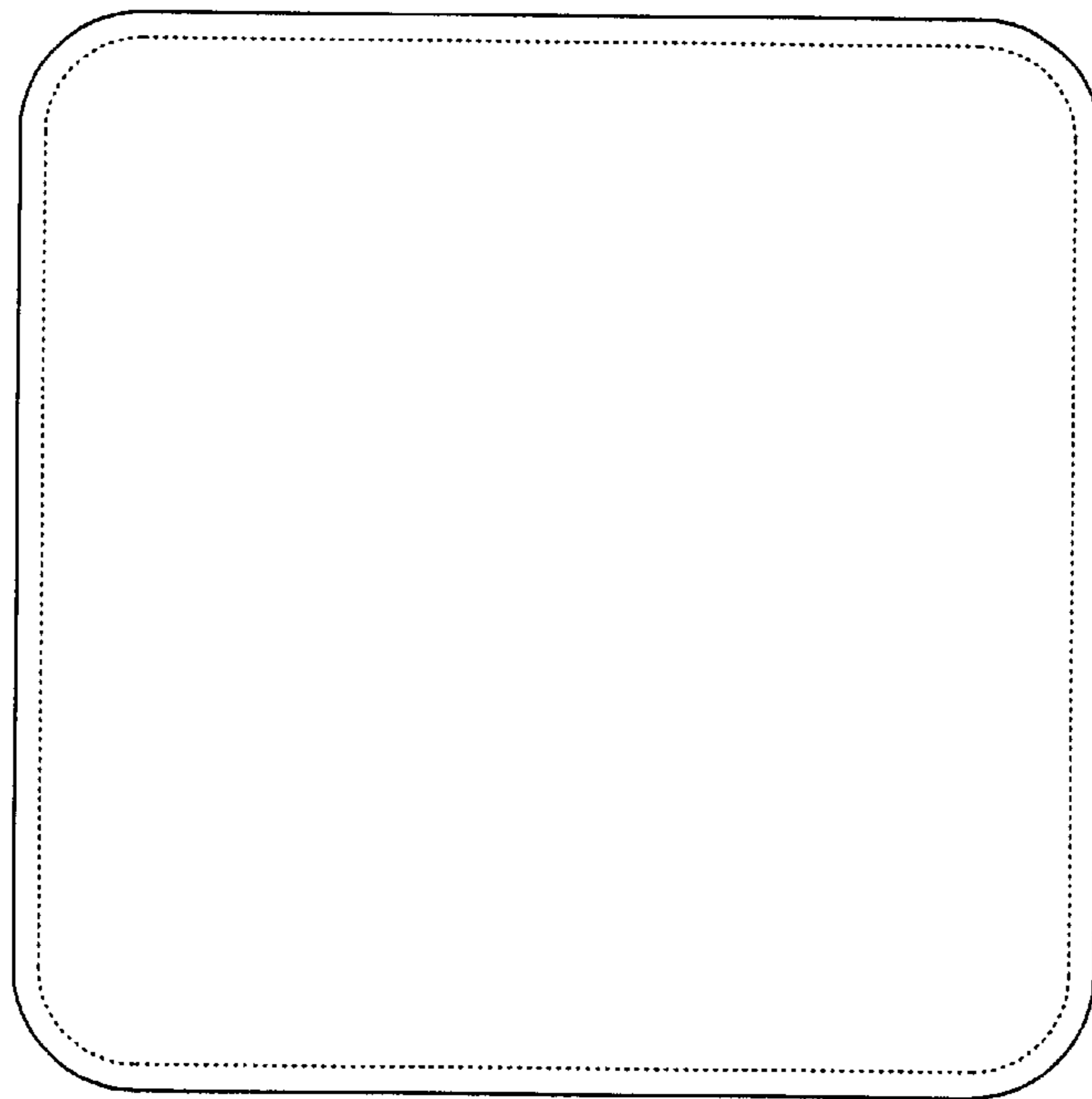
**FIG. 4**



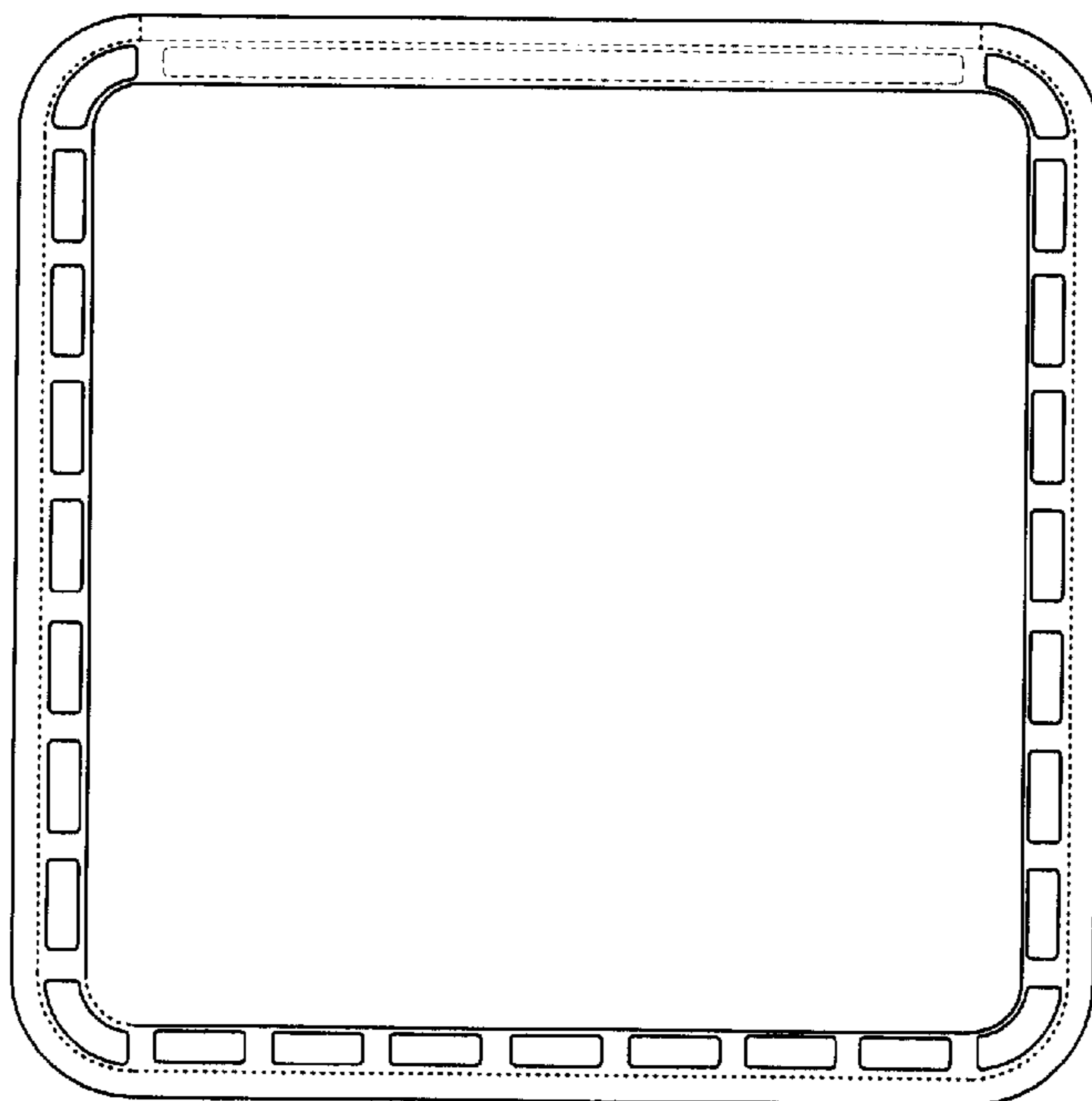
**FIG. 5**



**FIG. 6**



**FIG. 7**



**FIG. 8**