



US00D537806S

(12) **United States Design Patent** (10) **Patent No.:** **US D537,806 S**
Beasley et al. (45) **Date of Patent:** **** Mar. 6, 2007**

(54) **CELL PHONE DOCKING MODULE**

Sep. 29, 2006, date not found on Internet Archive WayBack-Machine.*

(75) Inventors: **Jeffery R. Beasley**, Suwanee, GA (US);
Alina R. Butan, Doylestown, PA (US);
Christopher G. Franck, Decatur, GA
(US); **Matthew M. Julian**, Sunrise, FL
(US)

* cited by examiner

Primary Examiner—Ian Simmons
Assistant Examiner—Carla Jobe Wright
(74) *Attorney, Agent, or Firm*—Thomas Bethea, Jr.

(73) Assignee: **General Instrument Corporation**,
Horsham, PA (US)

(57) **CLAIM**

(**) Term: **14 Years**

The ornamental design for a cell phone docking module, as shown and described.

(21) Appl. No.: **29/245,088**

DESCRIPTION

(22) Filed: **Dec. 19, 2005**

(51) **LOC (8) Cl.** **14-03**

FIG. 1 is a perspective view of a cell phone docking module;

(52) **U.S. Cl.** **D14/149**; D13/108

FIG. 2 is a top view of the cell phone docking module of FIG. 1;

(58) **Field of Classification Search** D14/141.1,
D14/142, 191, 147–149, 240, 251, 253, 434;
D13/107–108; 455/575.1; 320/107–108,
320/114–115; 191/12.2 R

FIG. 3 is a bottom view of the cell phone docking module of FIG. 1;

See application file for complete search history.

FIG. 4 is a rear view of the cell phone docking module of FIG. 1;

(56) **References Cited**

FIG. 5 is a front view of the cell phone docking module of FIG. 1;

U.S. PATENT DOCUMENTS

D293,568 S * 1/1988 Martinez D14/141.1
D311,184 S * 10/1990 Appleby D14/141.1
D339,808 S * 9/1993 Khoo et al. D14/251
D370,911 S * 6/1996 Mo D14/149
D384,065 S * 9/1997 Bice et al. D14/149
D412,487 S * 8/1999 Nagele et al. D13/108
5,939,860 A * 8/1999 William 320/114
6,926,130 B2 * 8/2005 Skowronski 191/12.2 R

FIG. 6 is a side view of the cell phone docking module of FIG. 1;

FIG. 7 is a side view of the cell phone docking module of FIG. 1; and,

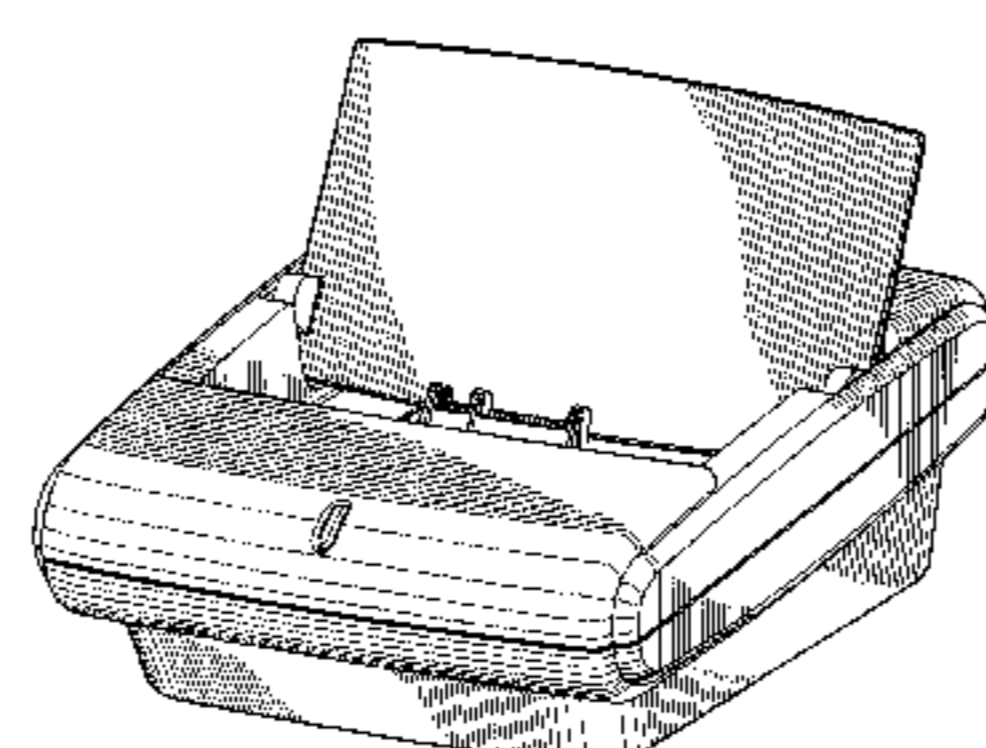
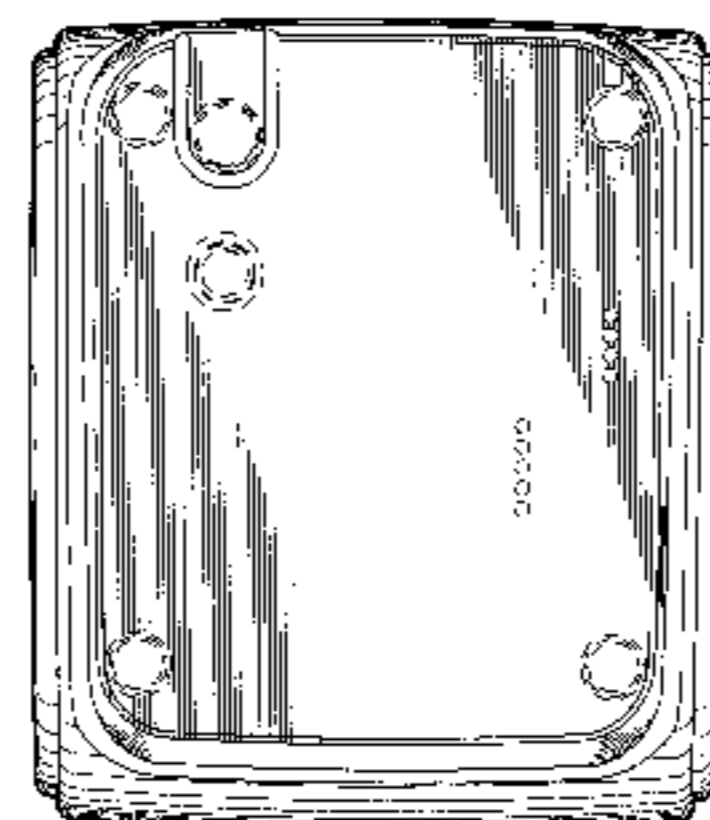
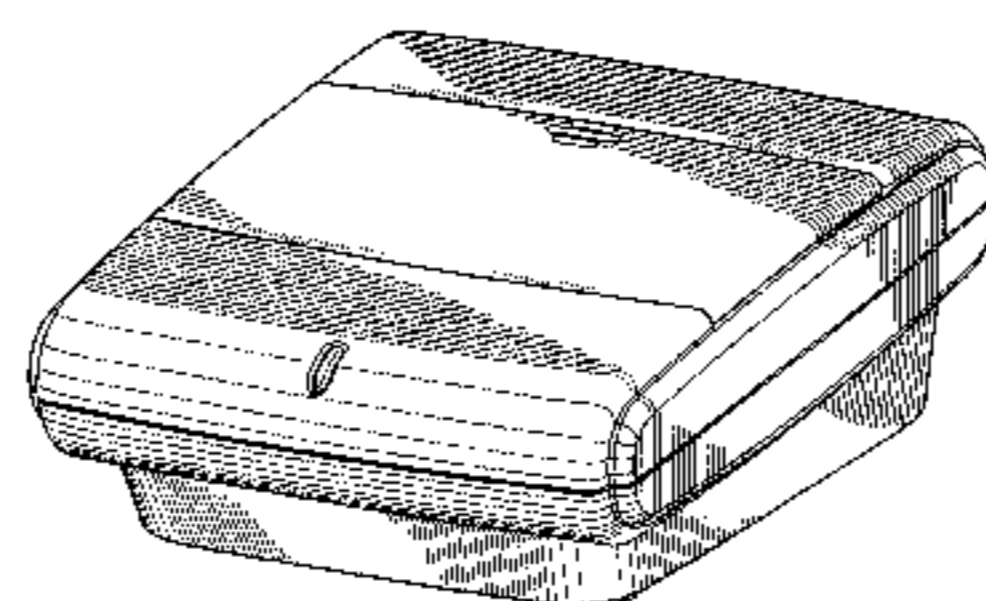
OTHER PUBLICATIONS

FIG. 8 is a perspective open view of the cell phone docking module of FIG. 1.

“Motorola SD4505 Cell Phone Dock Module for SD4500 Series”, 2 pp including photos, [online], <<http://broadband-motorola.com/consumers/products/sd4505/>>, site visited

The portions drawn in broken lines are shown for illustrative purposes only and do not form part of the claimed design.

1 Claim, 6 Drawing Sheets



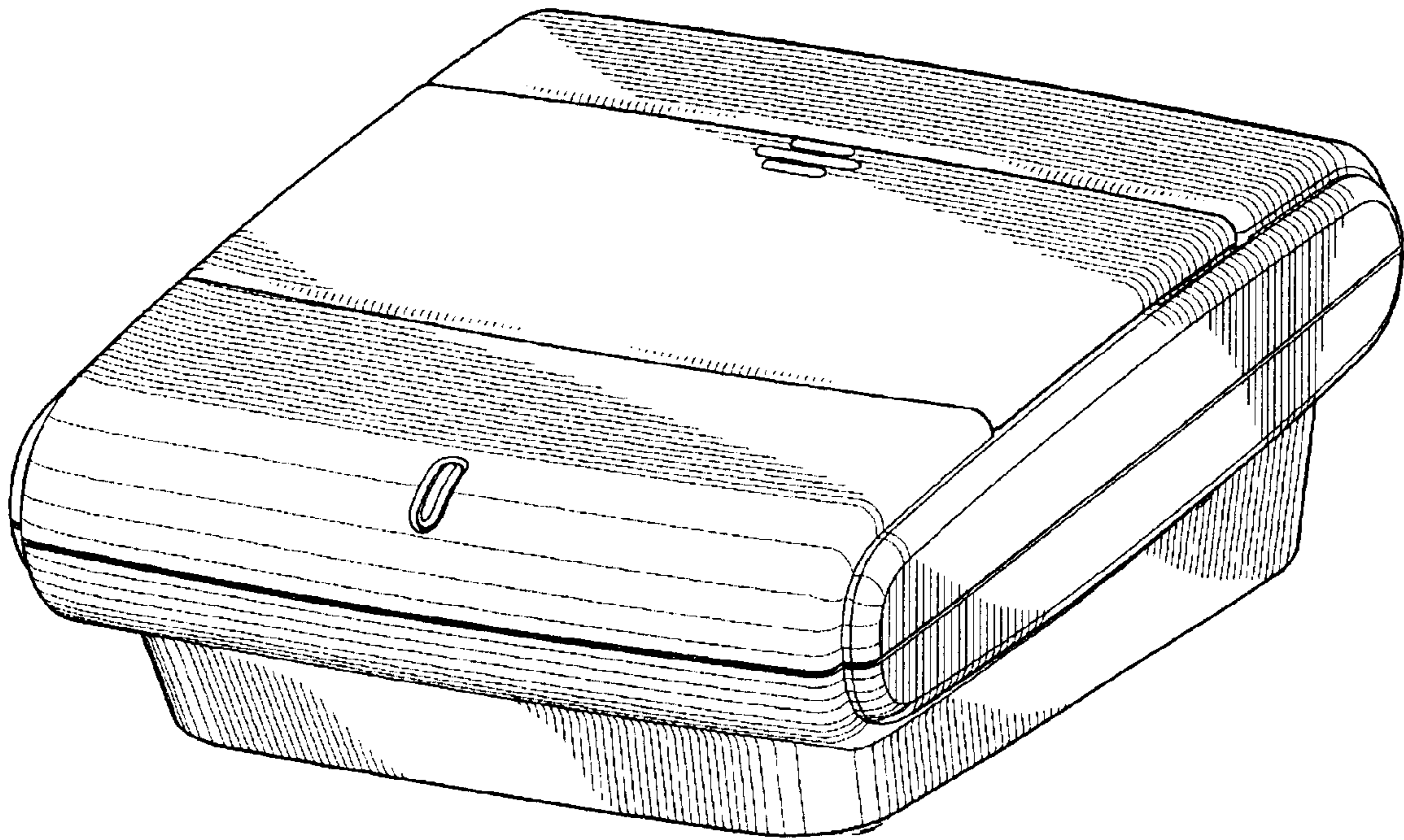


FIG. 1

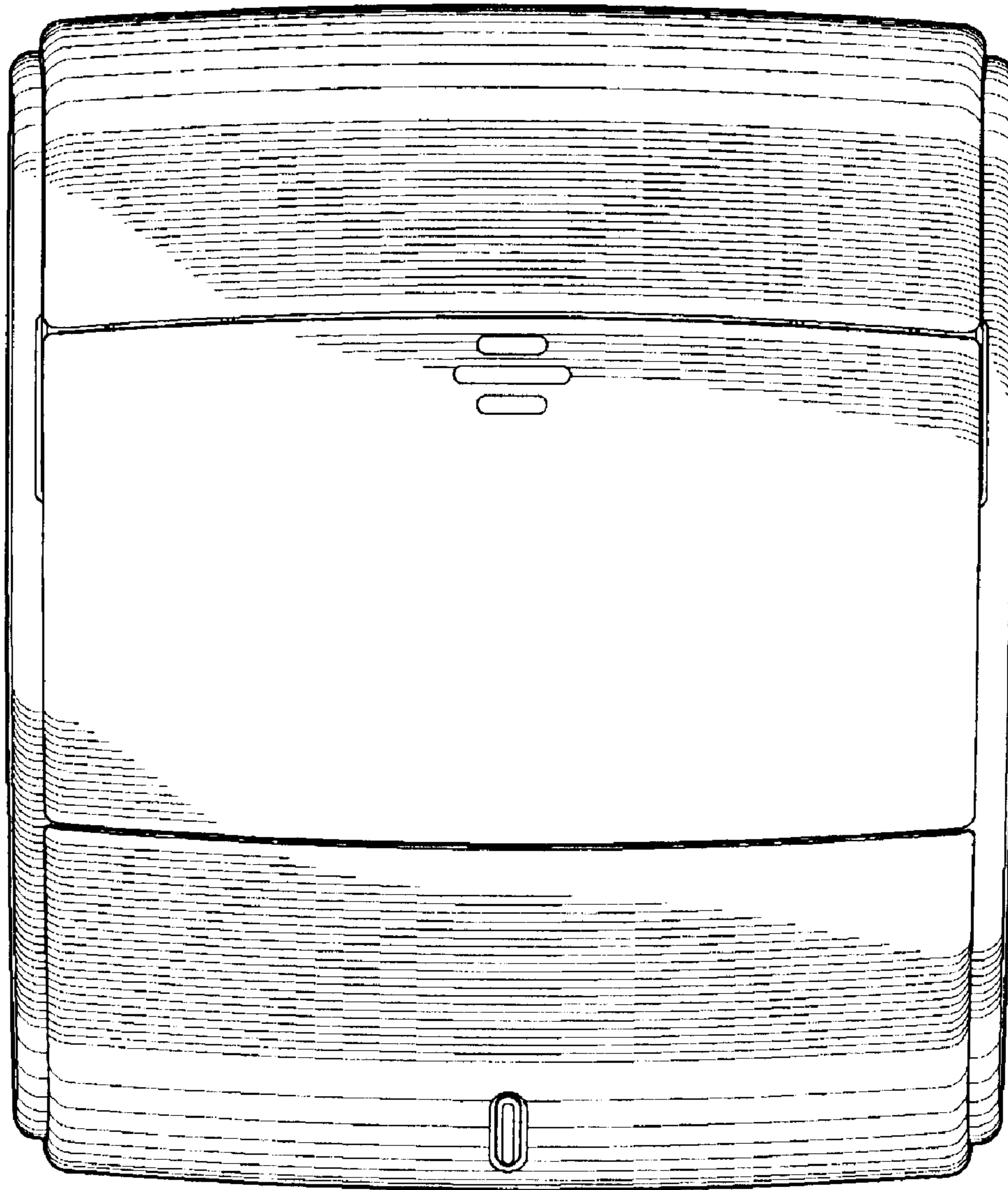


FIG. 2

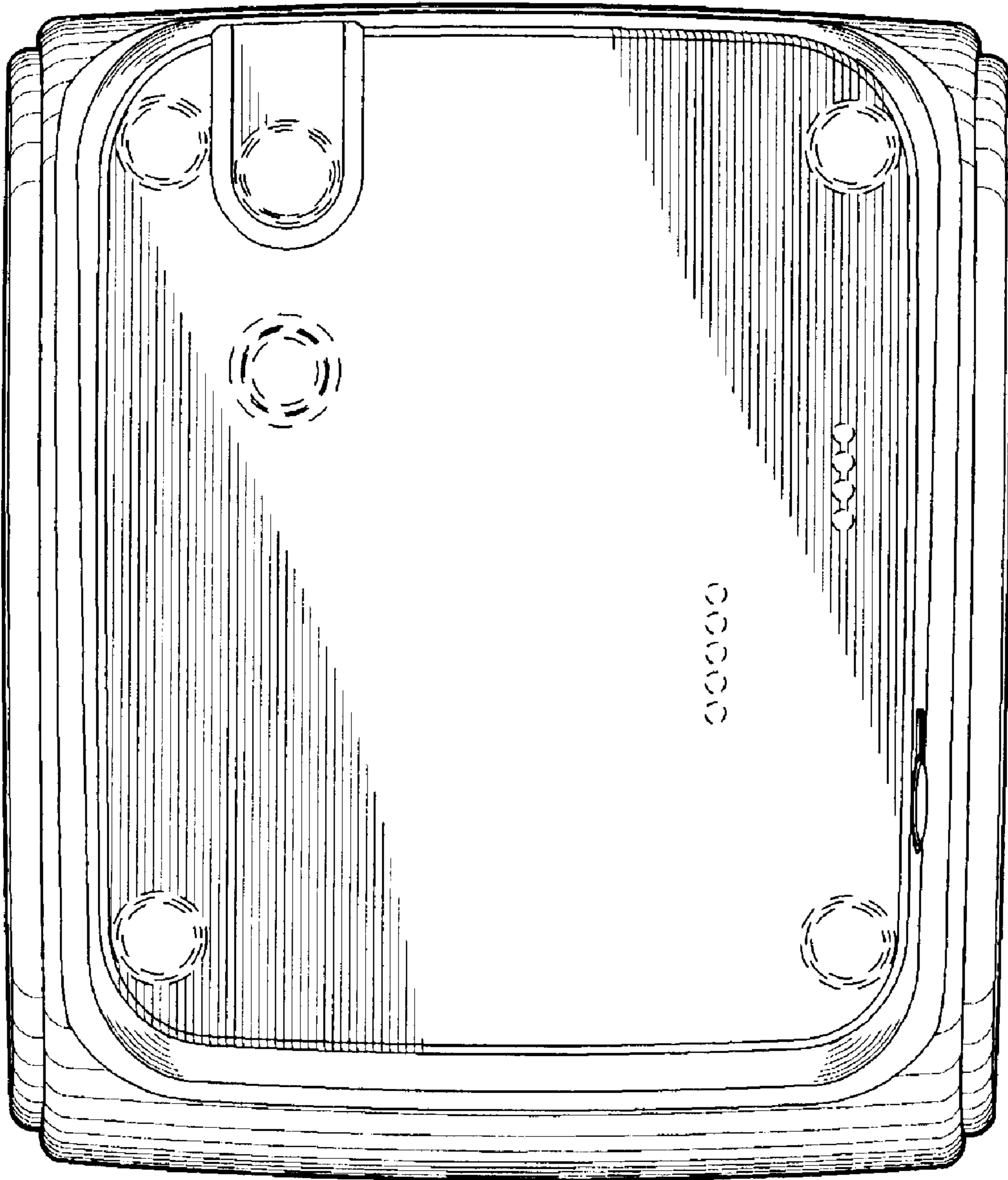


FIG. 3

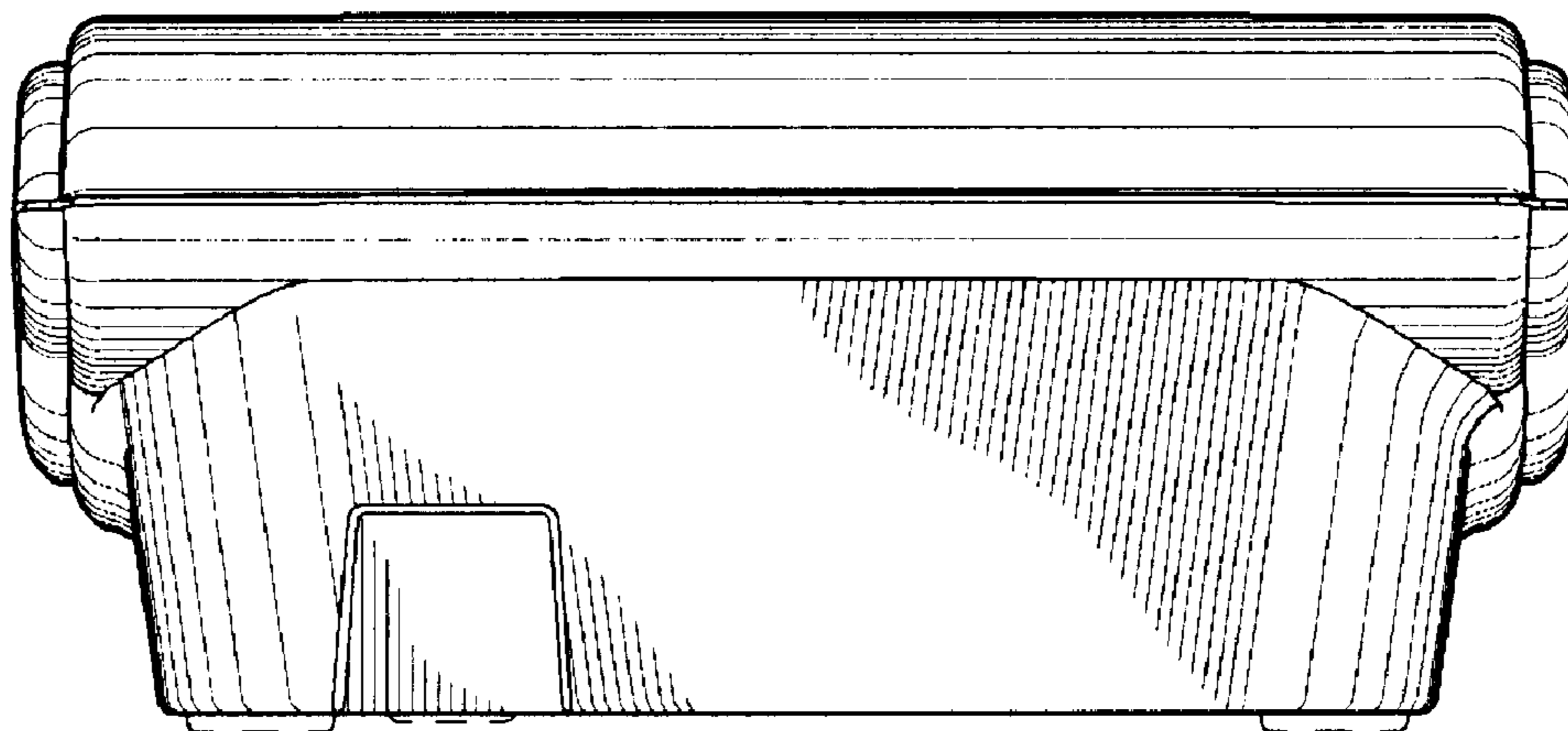


FIG. 4

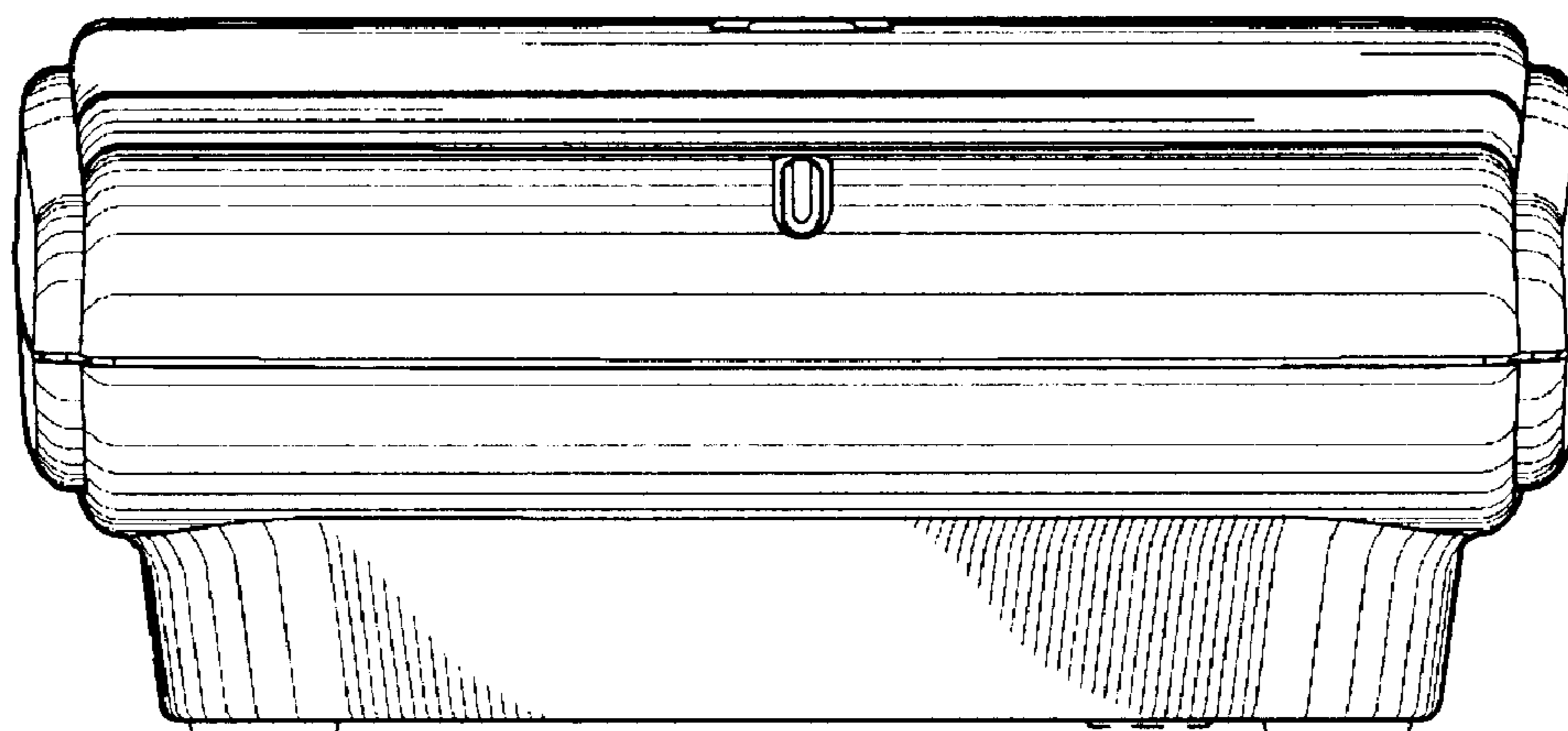


FIG. 5

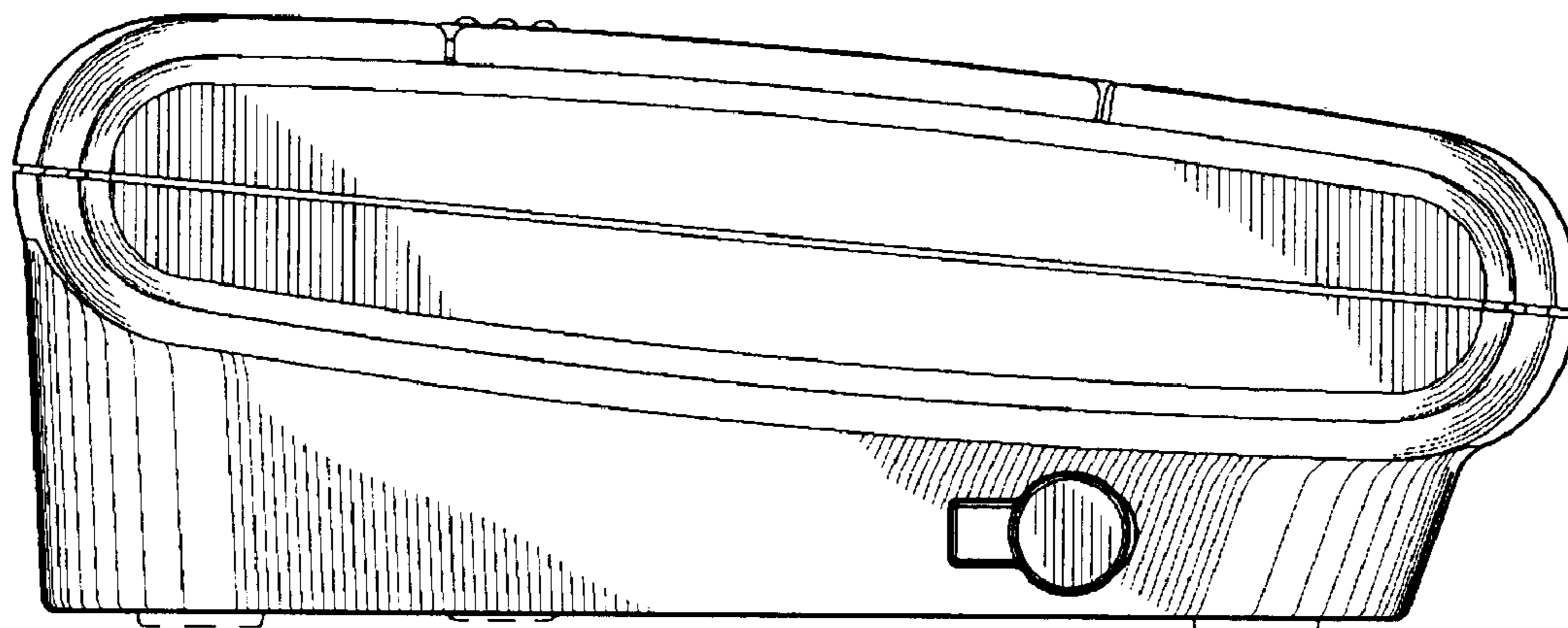


FIG. 6

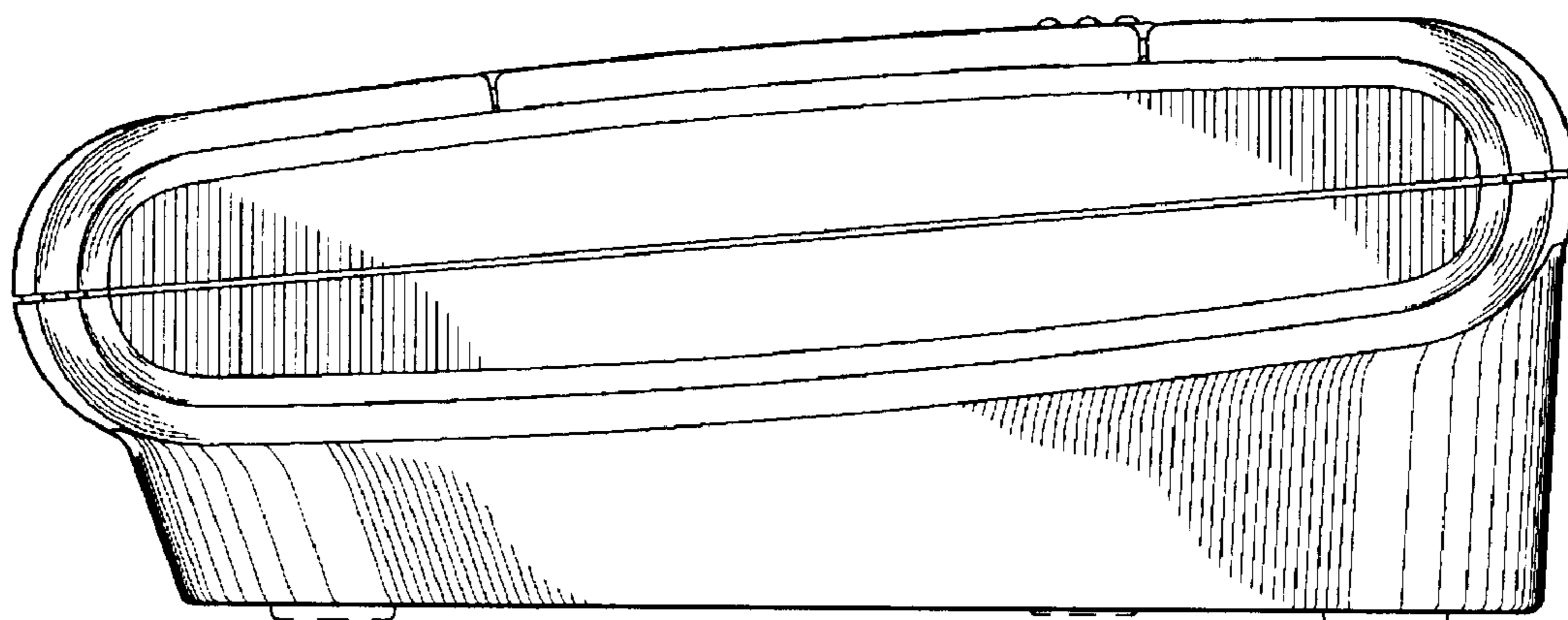


FIG. 7

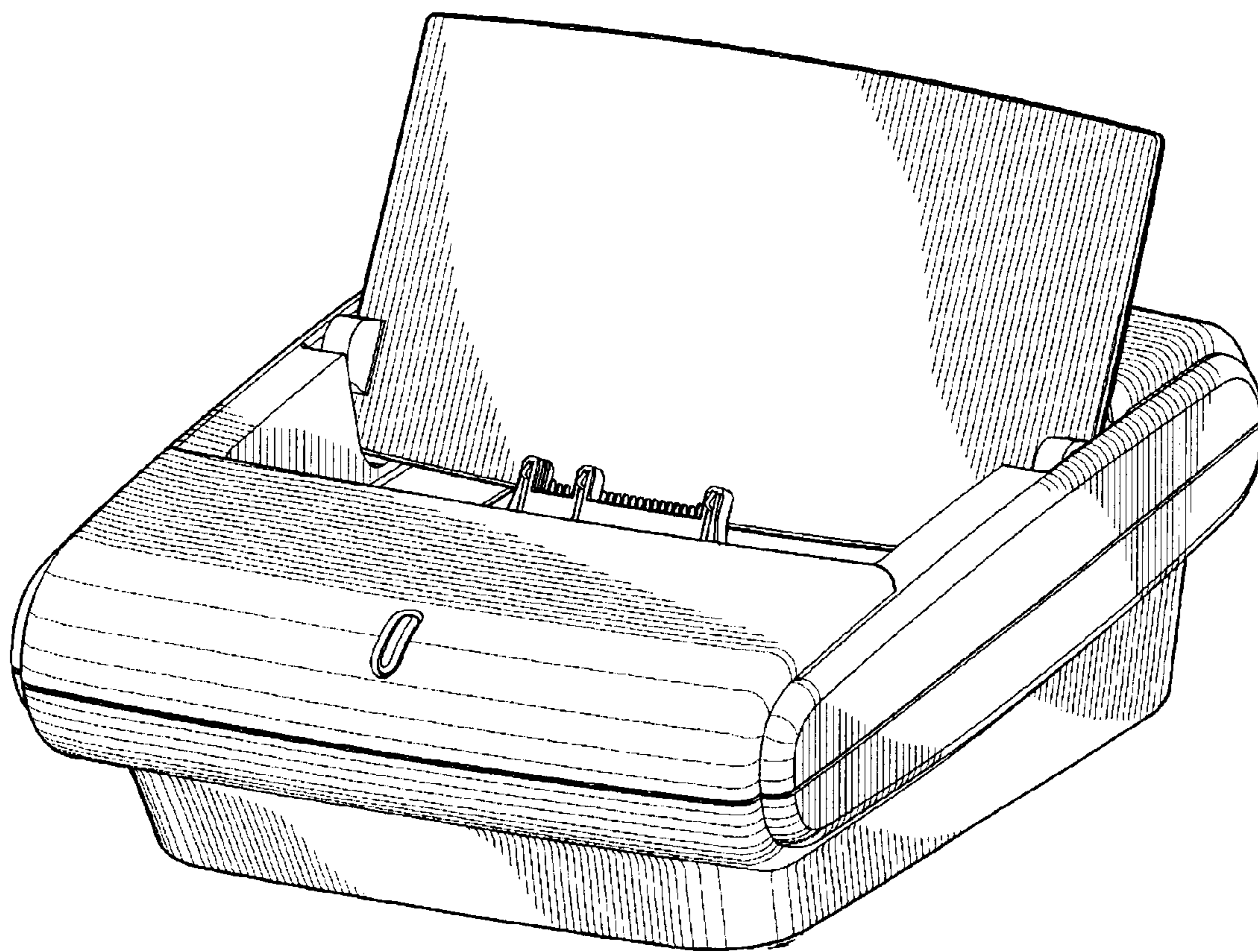


FIG. 8