



US00D537801S

(12) **United States Design Patent**
Qin et al.

(10) **Patent No.:** **US D537,801 S**
(45) **Date of Patent:** **** Mar. 6, 2007**

(54) **LIQUID CRYSTAL DISPLAY TV**
(75) Inventors: **Zhishang Qin**, Changzhou (CN); **Lixin Yu**, Changzhou (CN)
(73) Assignee: **Jiangsu Shinco Electronic Group Co., Ltd.**, Changzhou (CN)
(**) Term: **14 Years**

D470,489 S * 2/2003 Lin D14/375
D479,209 S * 9/2003 Teng et al. D14/126
D486,131 S * 2/2004 Otsuka D14/126
D492,273 S * 6/2004 Kawano D14/129
D494,149 S * 8/2004 Shih D14/126
D501,654 S * 2/2005 Kita D14/126
D501,832 S * 2/2005 Peng D14/126
D502,451 S * 3/2005 Kita D14/126

(21) Appl. No.: **29/219,818**
(22) Filed: **Dec. 23, 2004**
(30) **Foreign Application Priority Data**
Jun. 30, 2004 (CN) 200430058393
Aug. 1, 2004 (CN) 200430068787

OTHER PUBLICATIONS

Frontgate catalog dated summer 2002 p. 75.*

* cited by examiner

Primary Examiner—Raphael Barkai
Assistant Examiner—Randall H. Gholson
(74) *Attorney, Agent, or Firm*—Arent Fox LLP

(51) **LOC (8) Cl.** **14-03**
(52) **U.S. Cl.** **D14/126**
(58) **Field of Classification Search** D14/125–135,
D14/239, 379, 371, 374, 375, 376, 113; D13/151,
D13/153; 312/7.2; 348/836, 838, 180, 184,
348/325, 739; 341/12; 248/917–924; 345/104,
345/133, 156, 168, 87, 173; 349/1, 2, 11,
349/62
See application file for complete search history.

(57) **CLAIM**

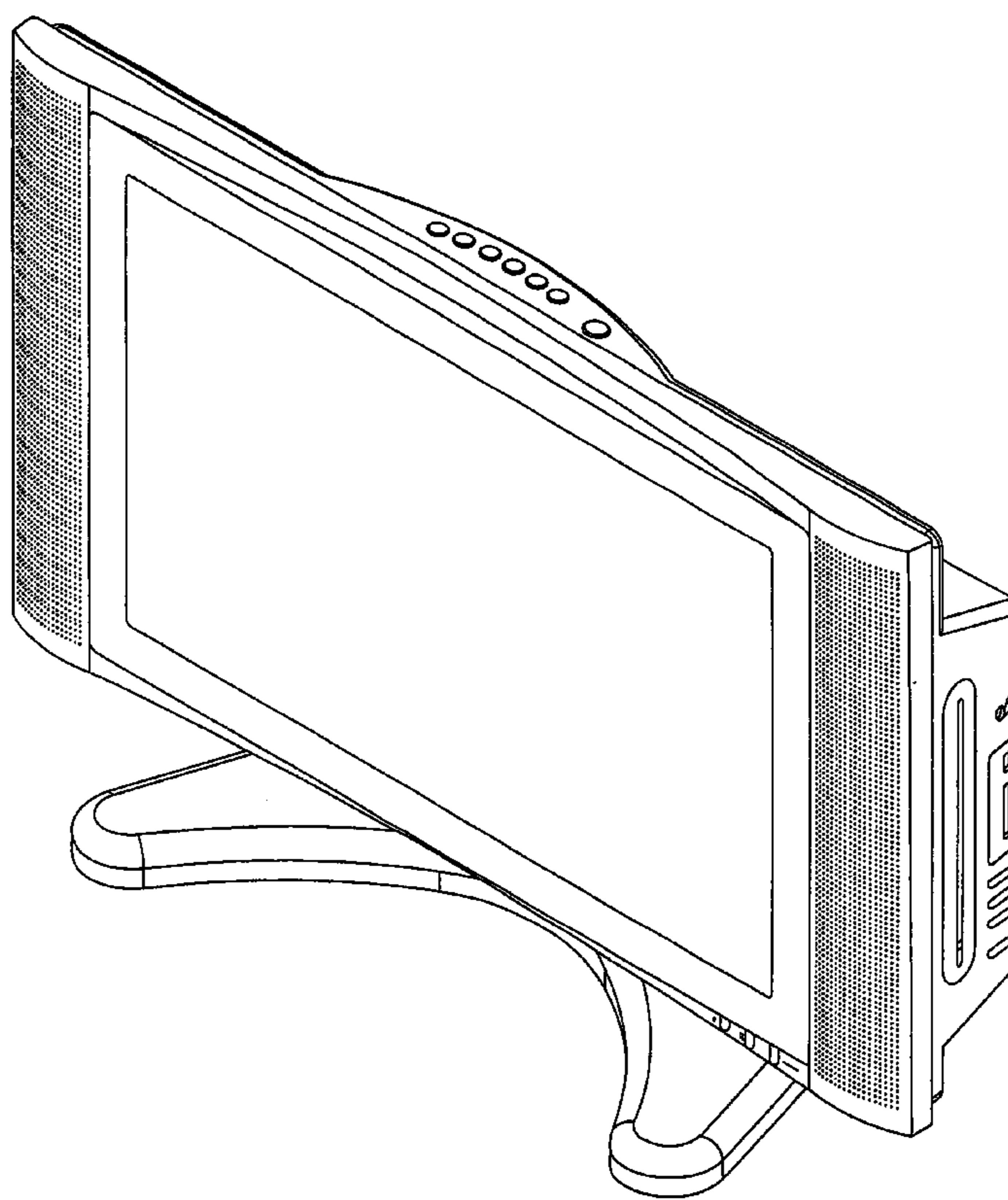
The ornamental design for a liquid crystal display TV, as shown and described.

DESCRIPTION

FIG. 1 is a perspective view from the front-top-right side of the first embodiment of the liquid crystal display TV; FIG. 2 is a front view of the design shown in FIG. 1; FIG. 3 is a rear view of the design shown in FIG. 1; FIG. 4 is a left view of the design shown in FIG. 1; FIG. 5 is a right view of the design shown in FIG. 1; FIG. 6 is a top view of the design shown in FIG. 1; and FIG. 7 is a bottom view of the design shown in FIG. 1.

(56) **References Cited**
U.S. PATENT DOCUMENTS
D432,101 S * 10/2000 Oba D14/126
D456,370 S * 4/2002 Kita D14/126

1 Claim, 6 Drawing Sheets



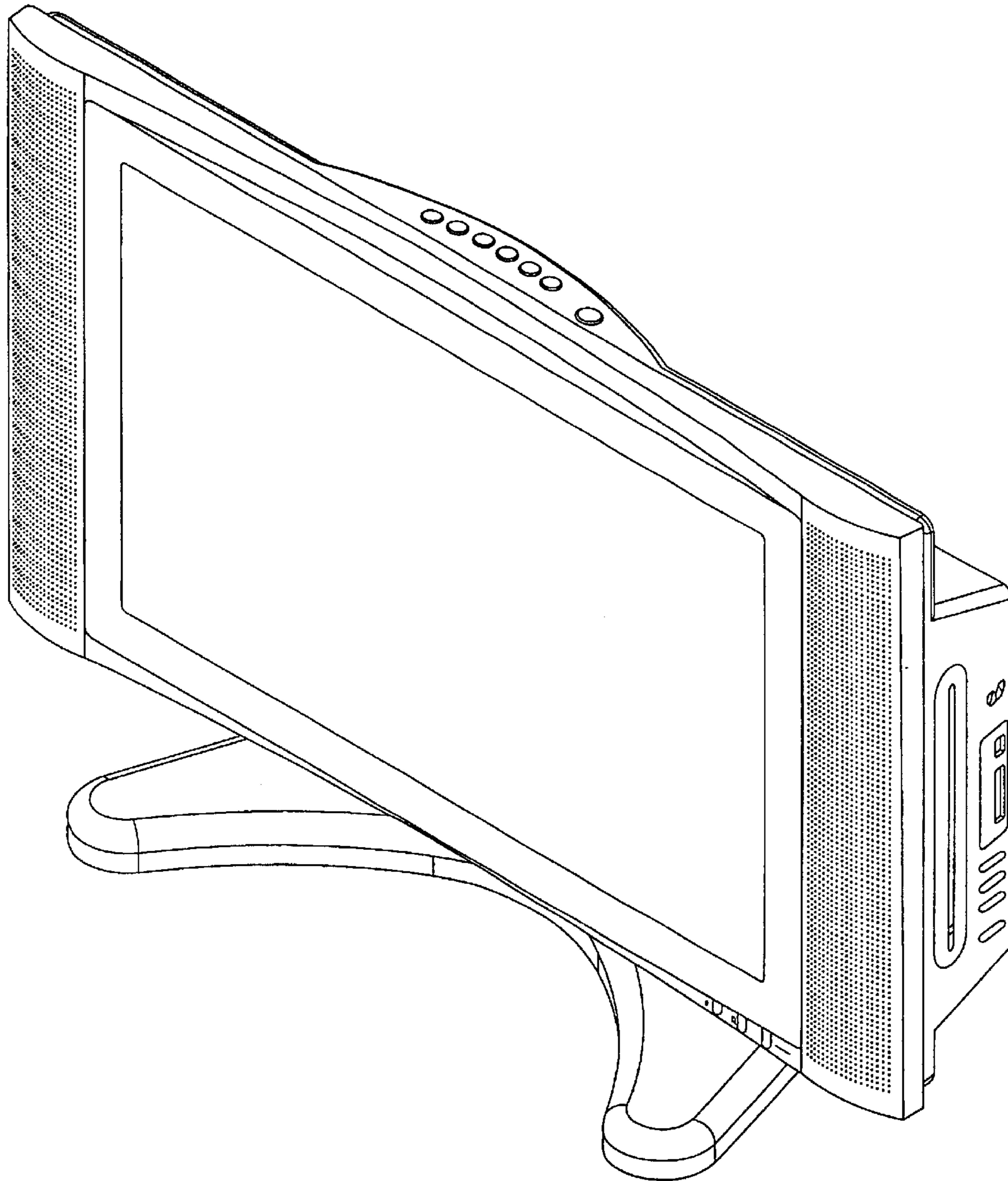


Fig. 1

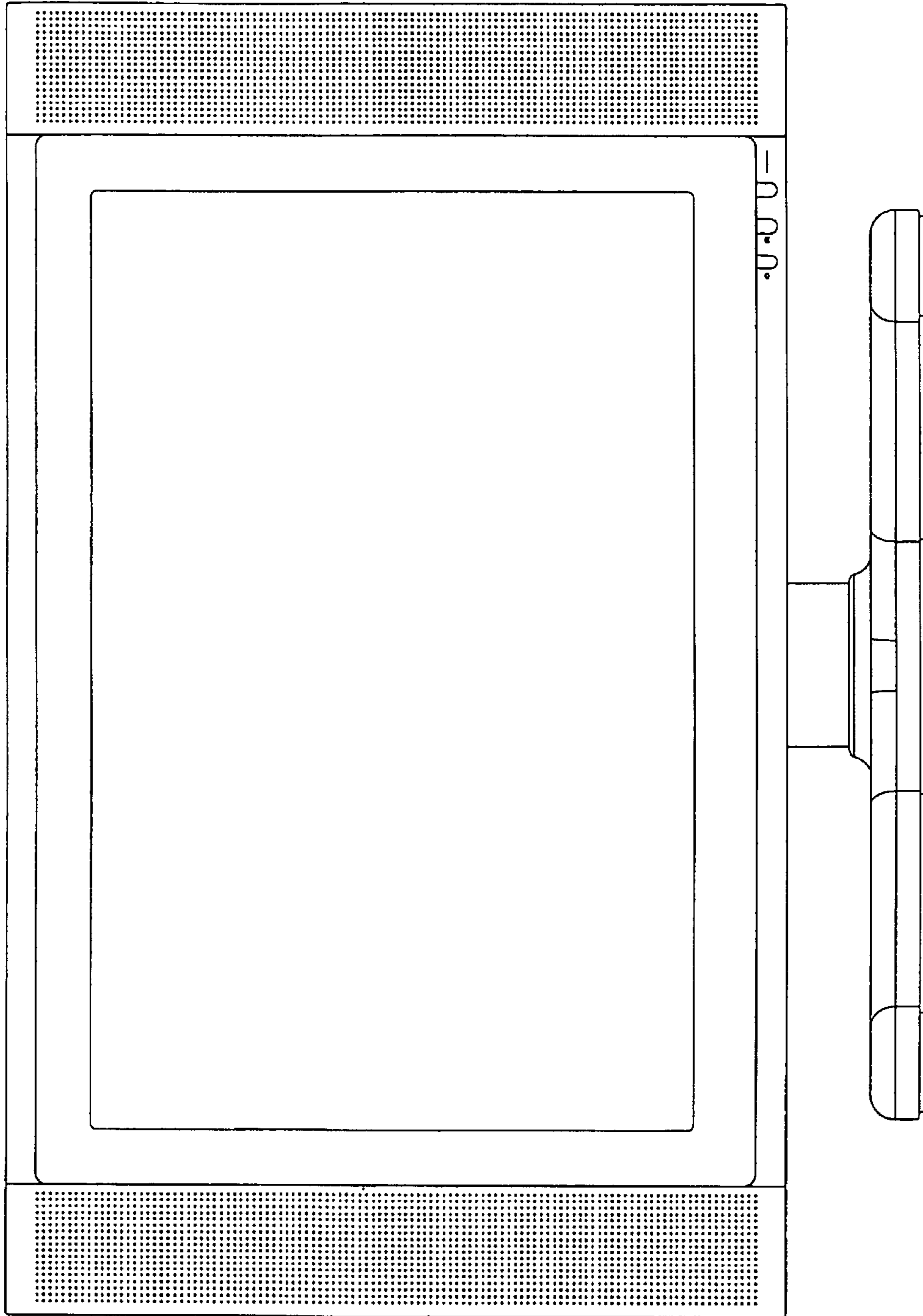


Fig.2

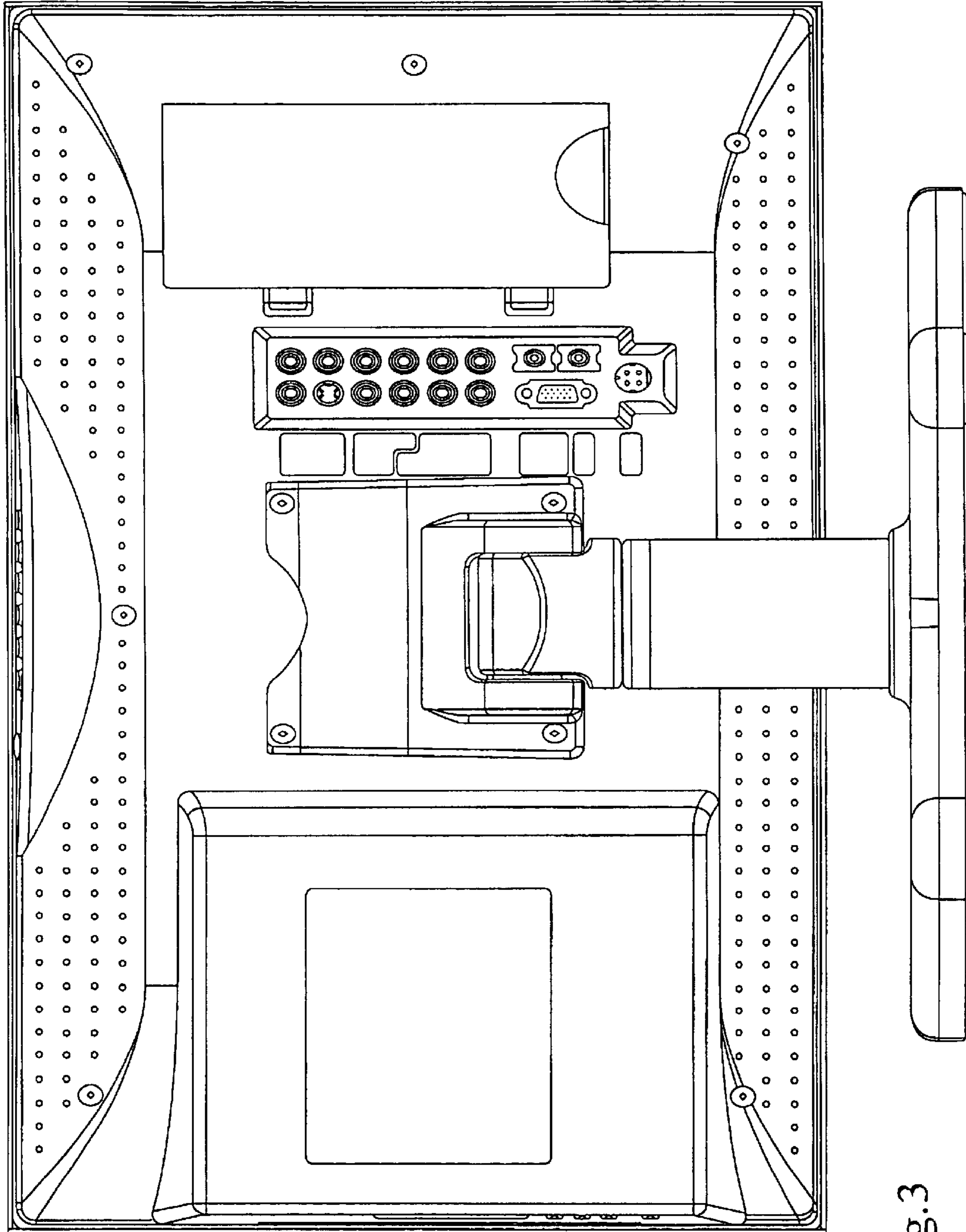


Fig.3

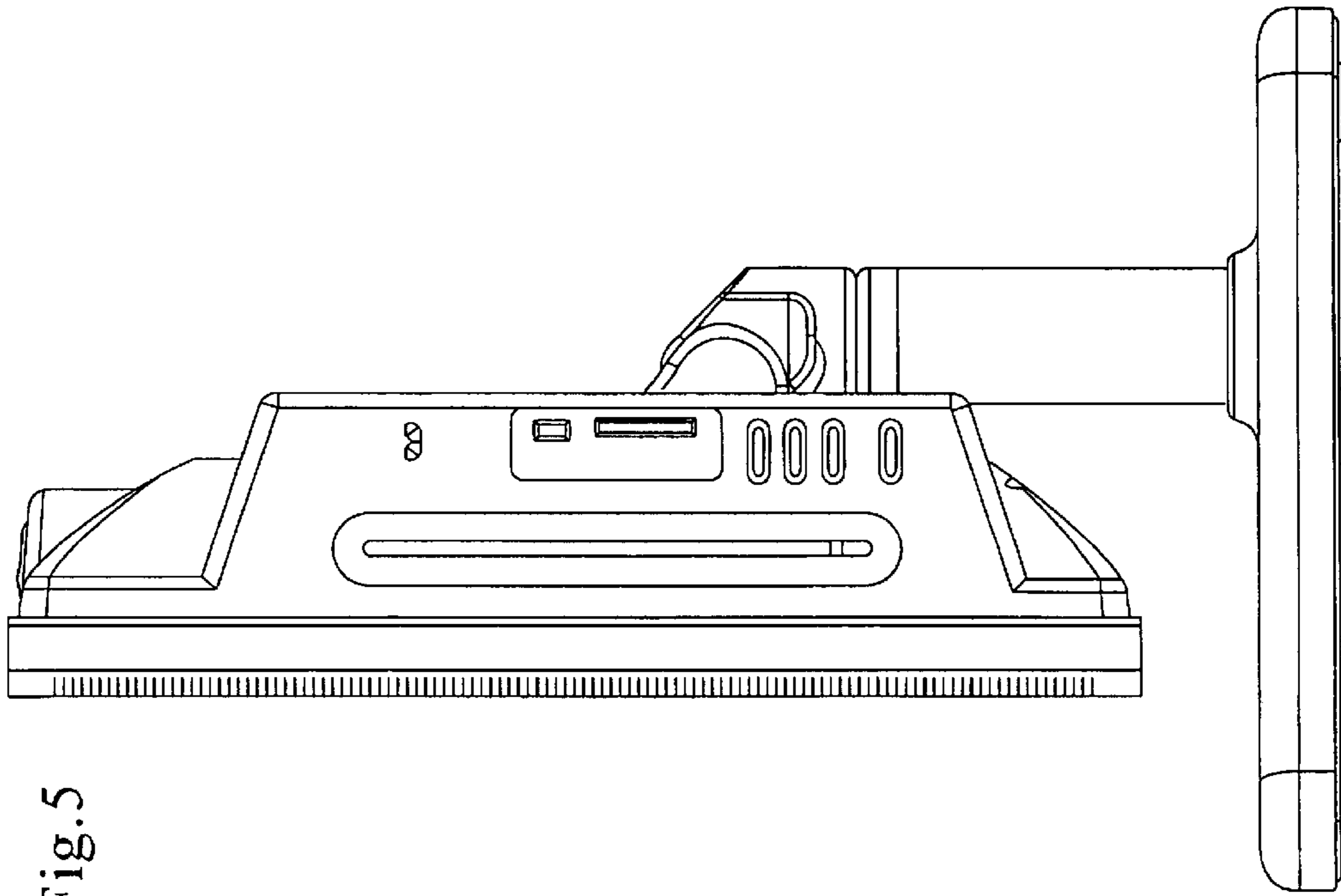


Fig.5

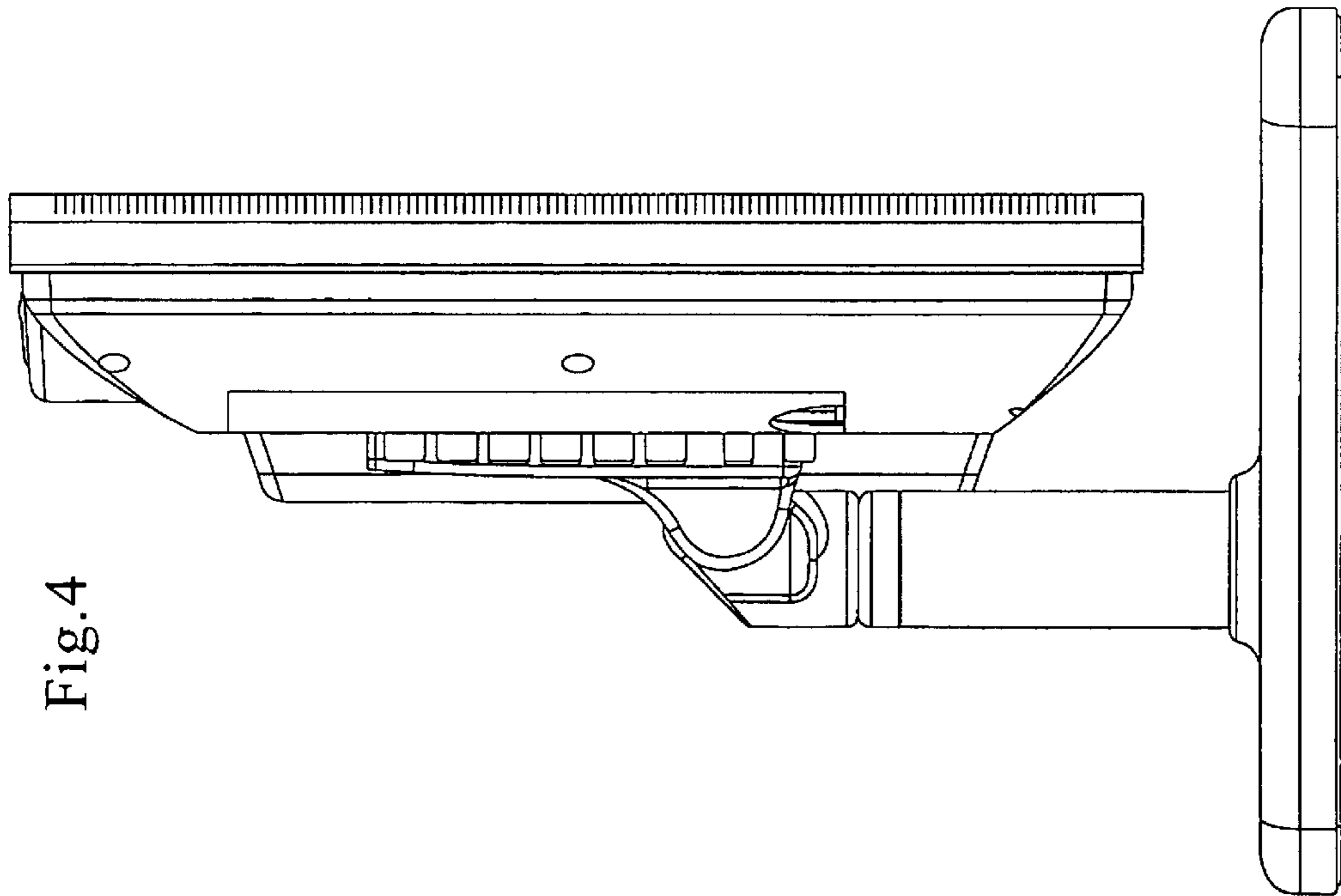


Fig.4

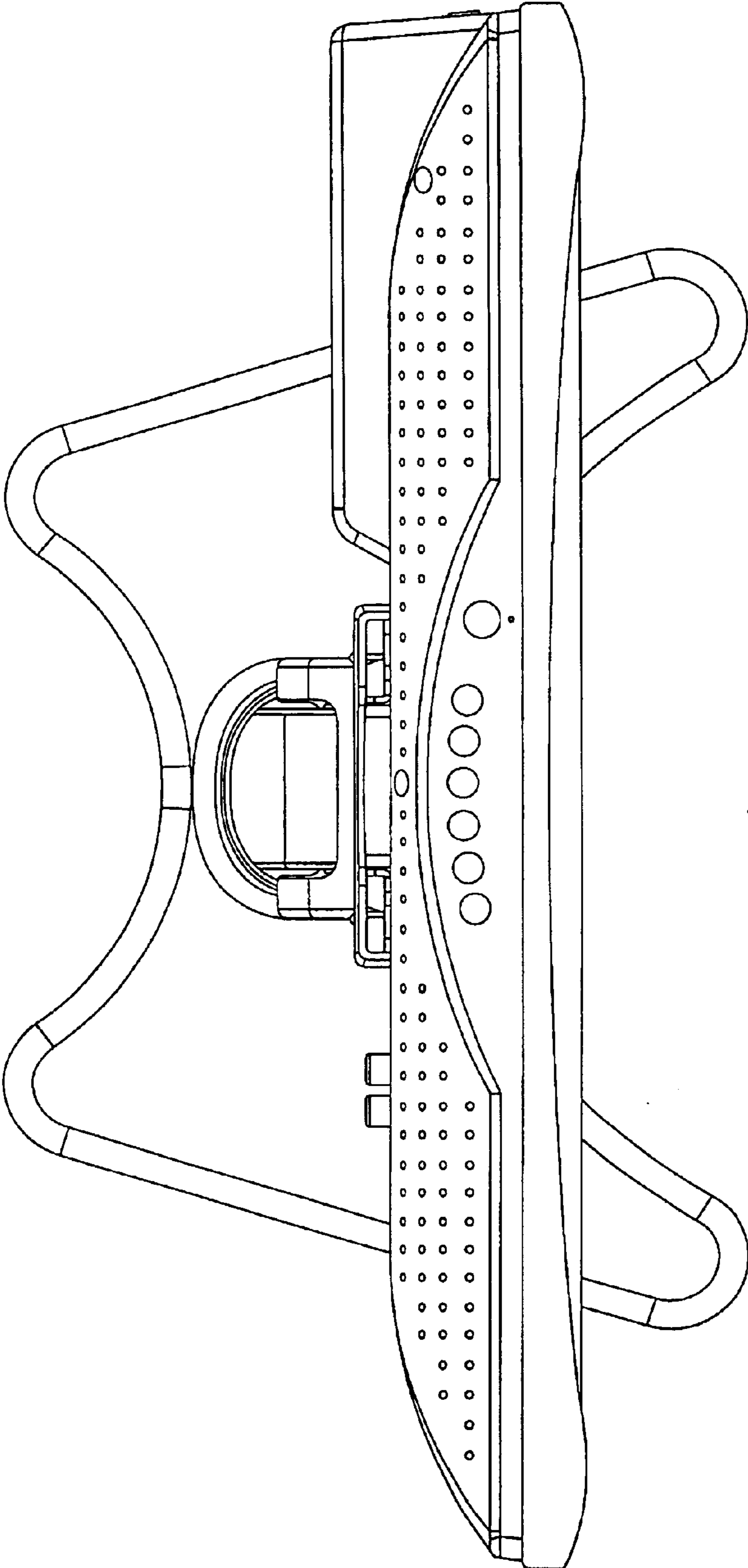


Fig.6

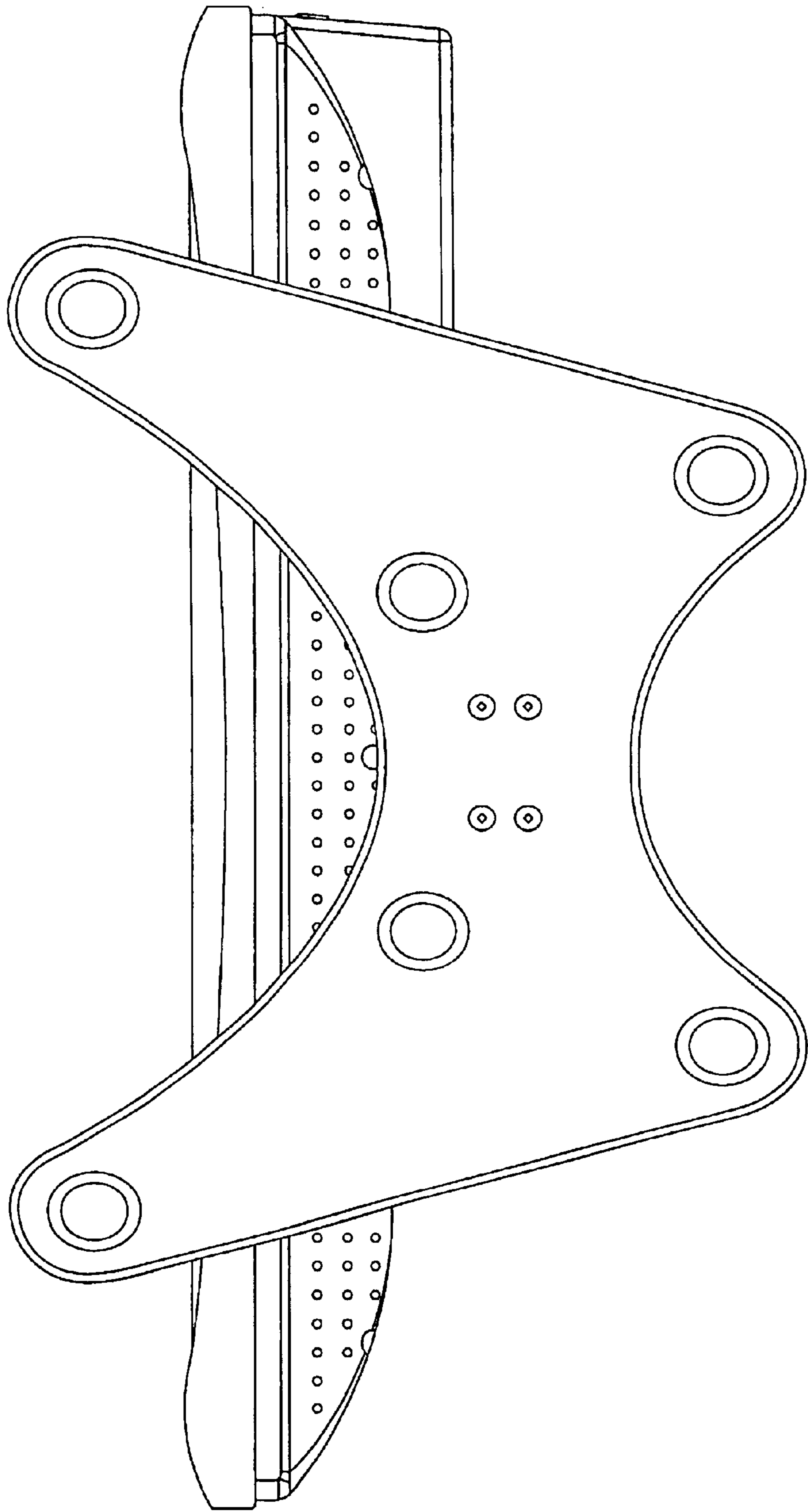


Fig.7