



US00D537798S

(12) **United States Design Patent**
Shin et al.

(10) **Patent No.:** **US D537,798 S**

(45) **Date of Patent:** **** *Mar. 6, 2007**

(54) **LIGHT-EMITTING DIODE**

(75) Inventors: **Ok Hee Shin**, Suwon (KR); **Joon Gil Lee**, Seoul (KR); **Jae Woo Cho**, Suwon (KR)

(73) Assignee: **Samsung Electro-Mechanics Co., Ltd.** (KR)

(*) Notice: This patent is subject to a terminal disclaimer.

(**) Term: **14 Years**

(21) Appl. No.: **29/238,664**

(22) Filed: **Sep. 19, 2005**

(30) **Foreign Application Priority Data**

Jul. 19, 2005 (KR) 30-2005-0024192

(51) **LOC (8) Cl.** **13-03**

(52) **U.S. Cl.** **D13/180**

(58) **Field of Classification Search** D13/180, D13/182; D26/2; 257/79, 80, 81, 82, 88, 257/89, 95, 98, 99, 100, 103, 433, 434, 666; 313/483, 498, 500; 361/820; 362/235, 249, 362/555, 800; 372/45.01

See application file for complete search history.

(56) **References Cited**

U.S. PATENT DOCUMENTS

6,576,986 B2 * 6/2003 Kobayakawa 257/676

D478,877 S * 8/2003 Hoshiba D13/182
D489,677 S * 5/2004 Ishida D13/100
D489,693 S * 5/2004 Ishida D13/180
D490,386 S * 5/2004 Ishida D13/180
D495,667 S 9/2004 Kim et al.
D495,668 S * 9/2004 Kim et al. D13/180
6,820,991 B2 * 11/2004 Wakaki et al. 362/27
6,953,952 B2 * 10/2005 Asakawa 257/103
2002/0149314 A1 * 10/2002 Takahashi et al. 313/500

* cited by examiner

Primary Examiner—Selina Sikder

(74) *Attorney, Agent, or Firm*—The Webb Law Firm

(57) **CLAIM**

The ornamental design for a light-emitting diode, as shown and described.

DESCRIPTION

FIG. 1 is an upper front side perspective view of a light-emitting diode of the invention;

FIG. 2 is a front view thereof;

FIG. 3 is a rear view thereof;

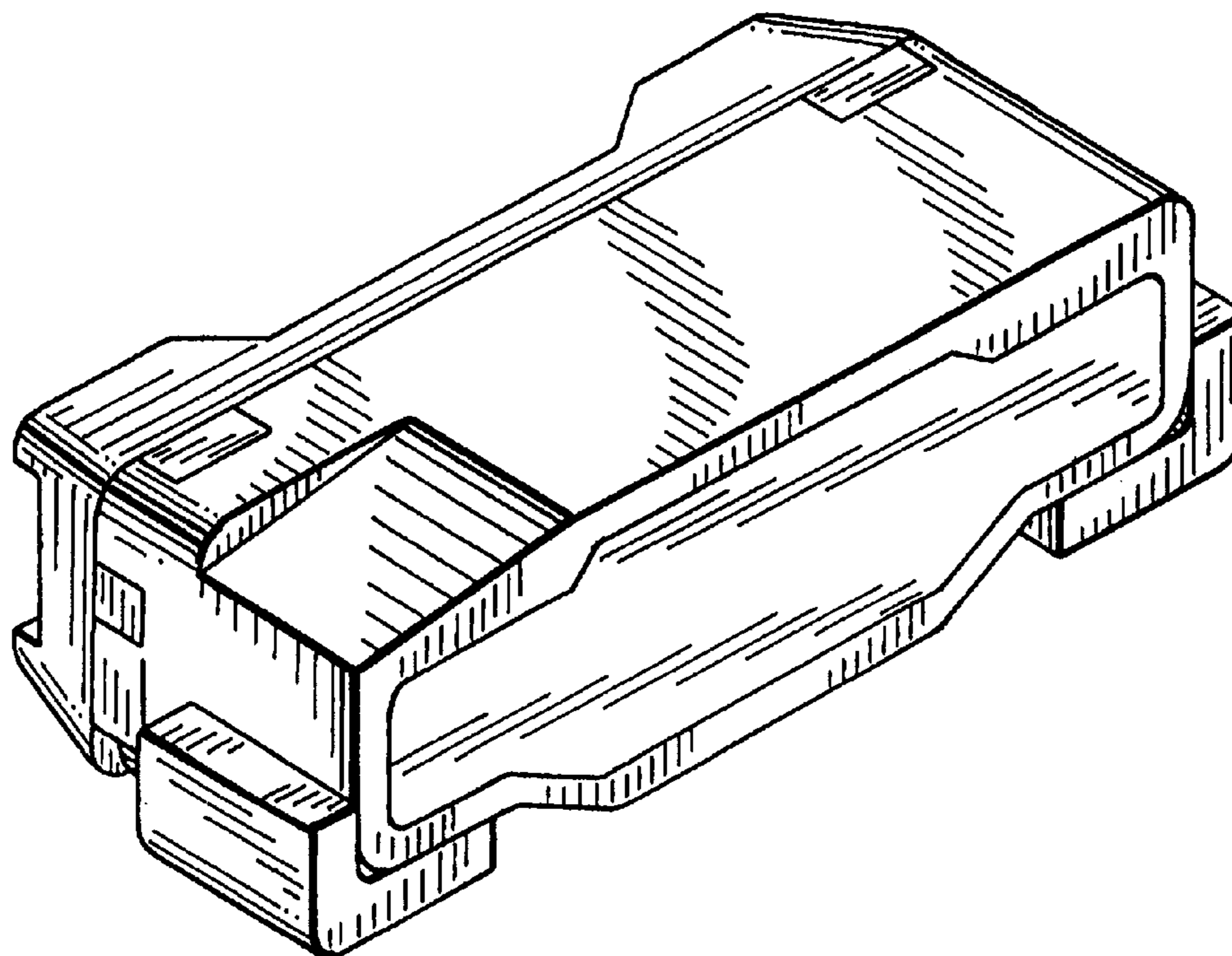
FIG. 4 is a left side view thereof;

FIG. 5 is a right side view thereof;

FIG. 6 is a top plan view thereof; and,

FIG. 7 is a bottom view thereof.

1 Claim, 3 Drawing Sheets



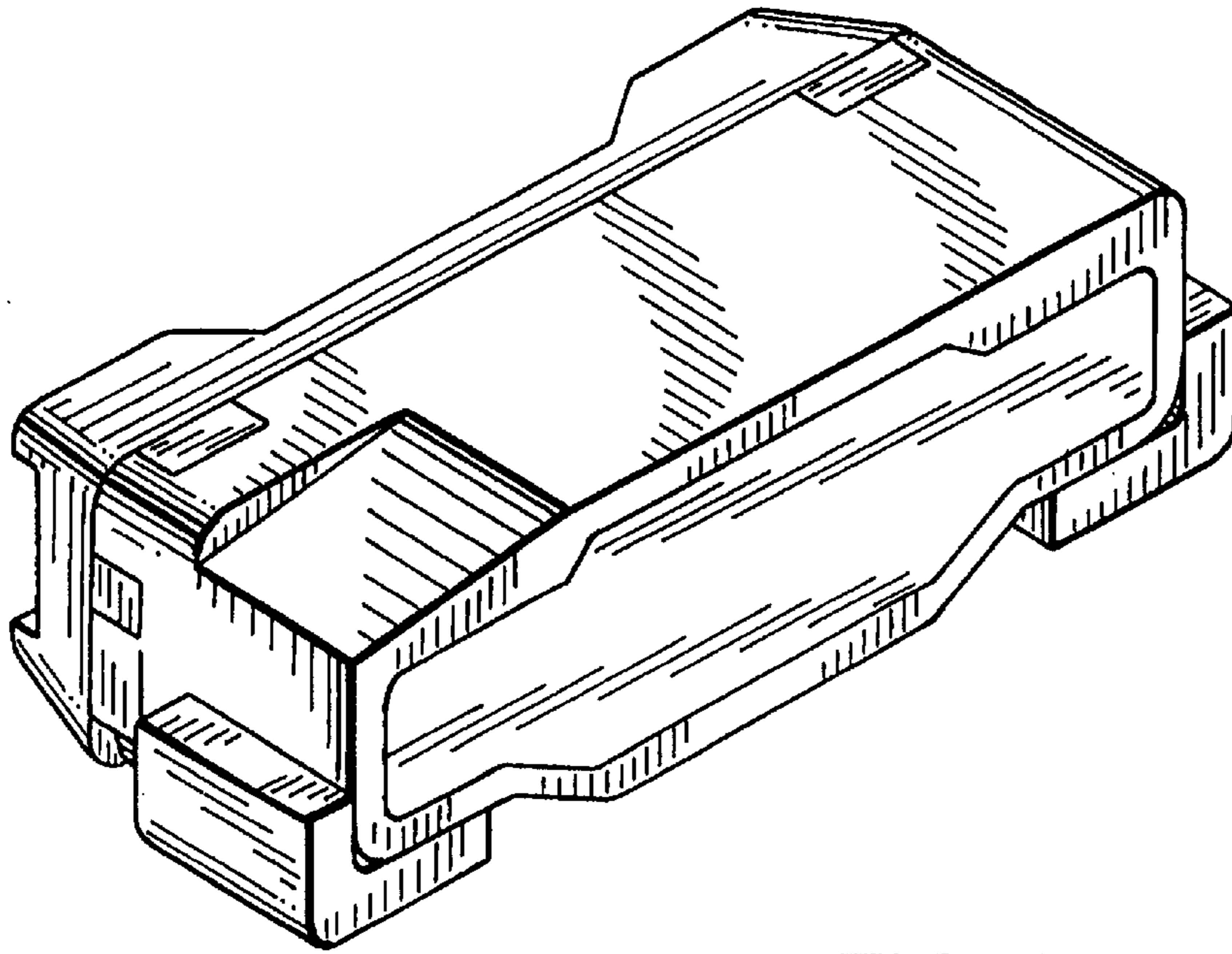


FIG. 1

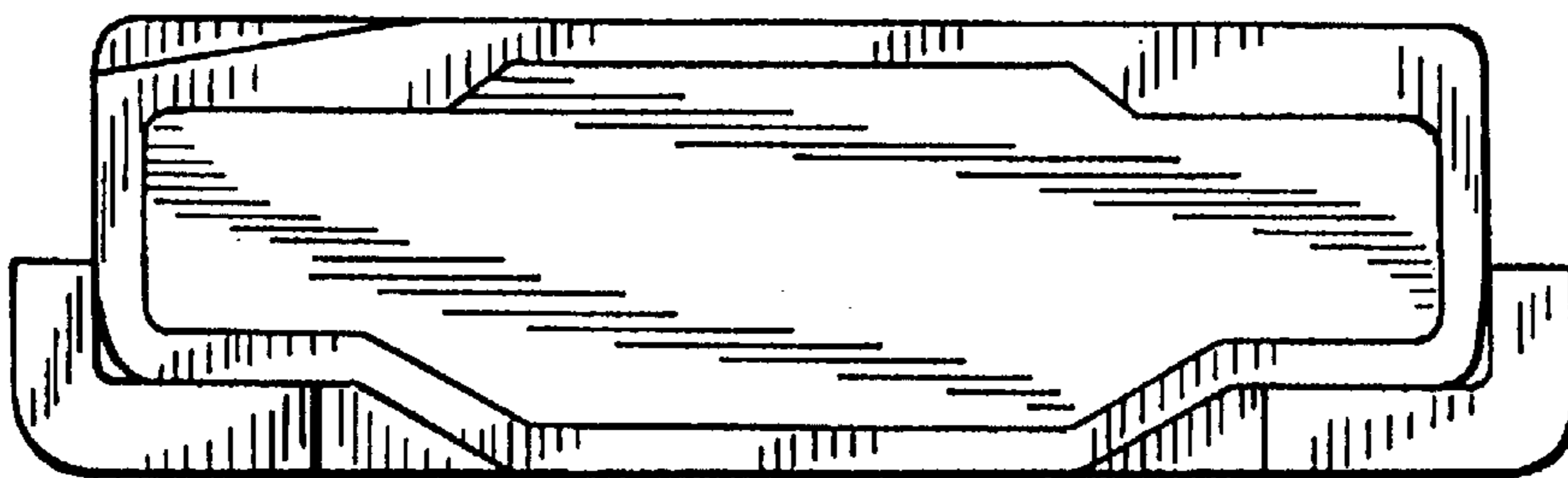


FIG. 2

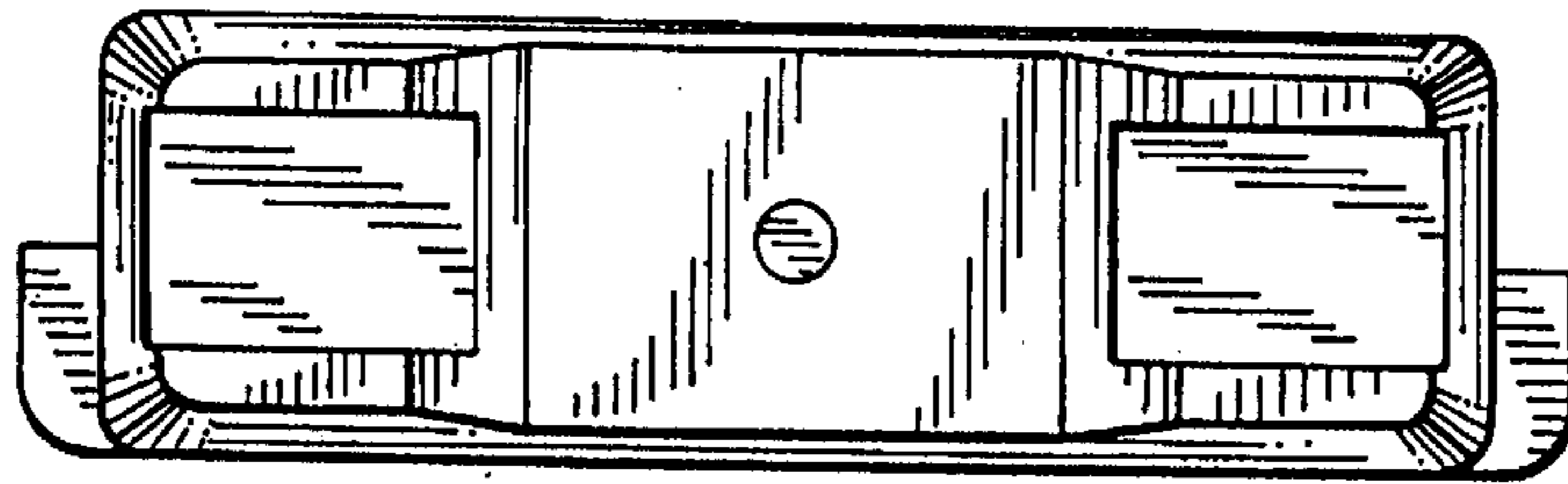


FIG. 3

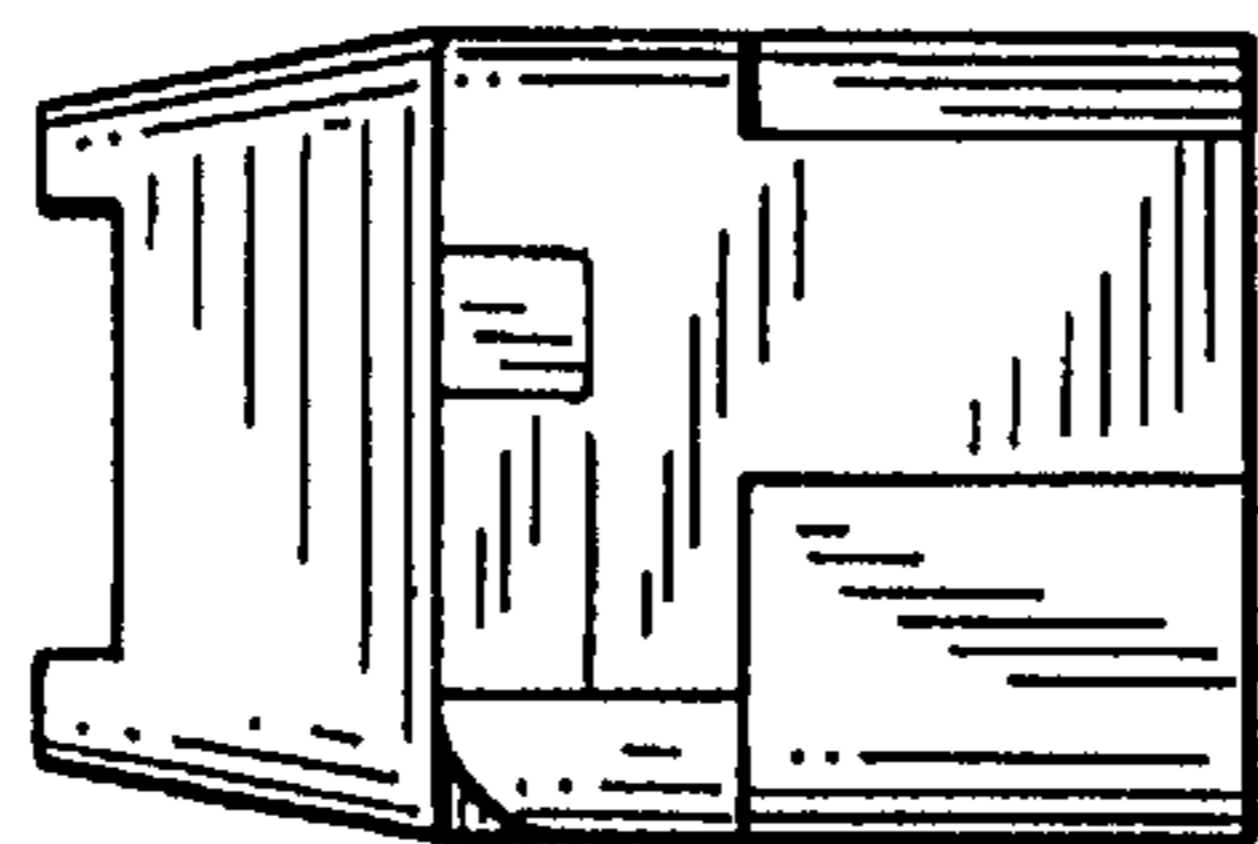


FIG. 4

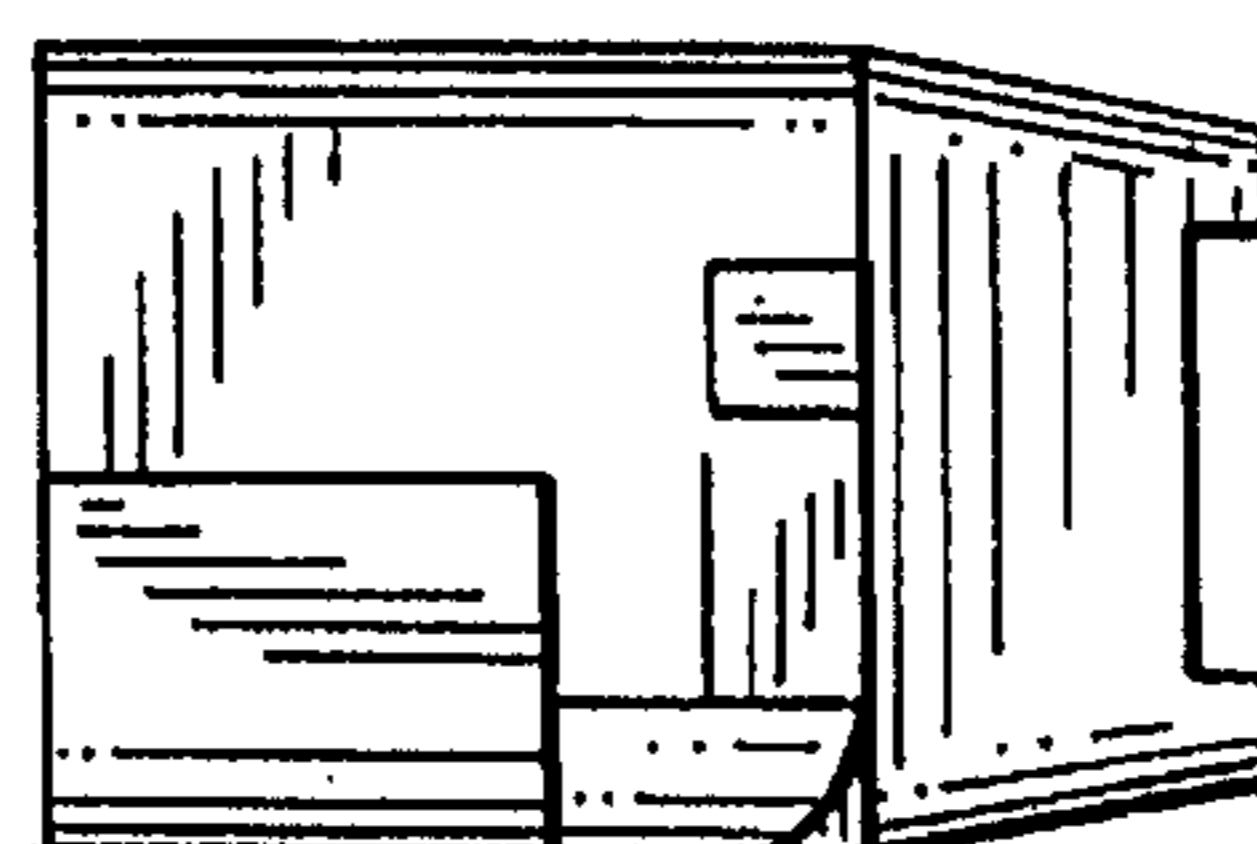


FIG. 5

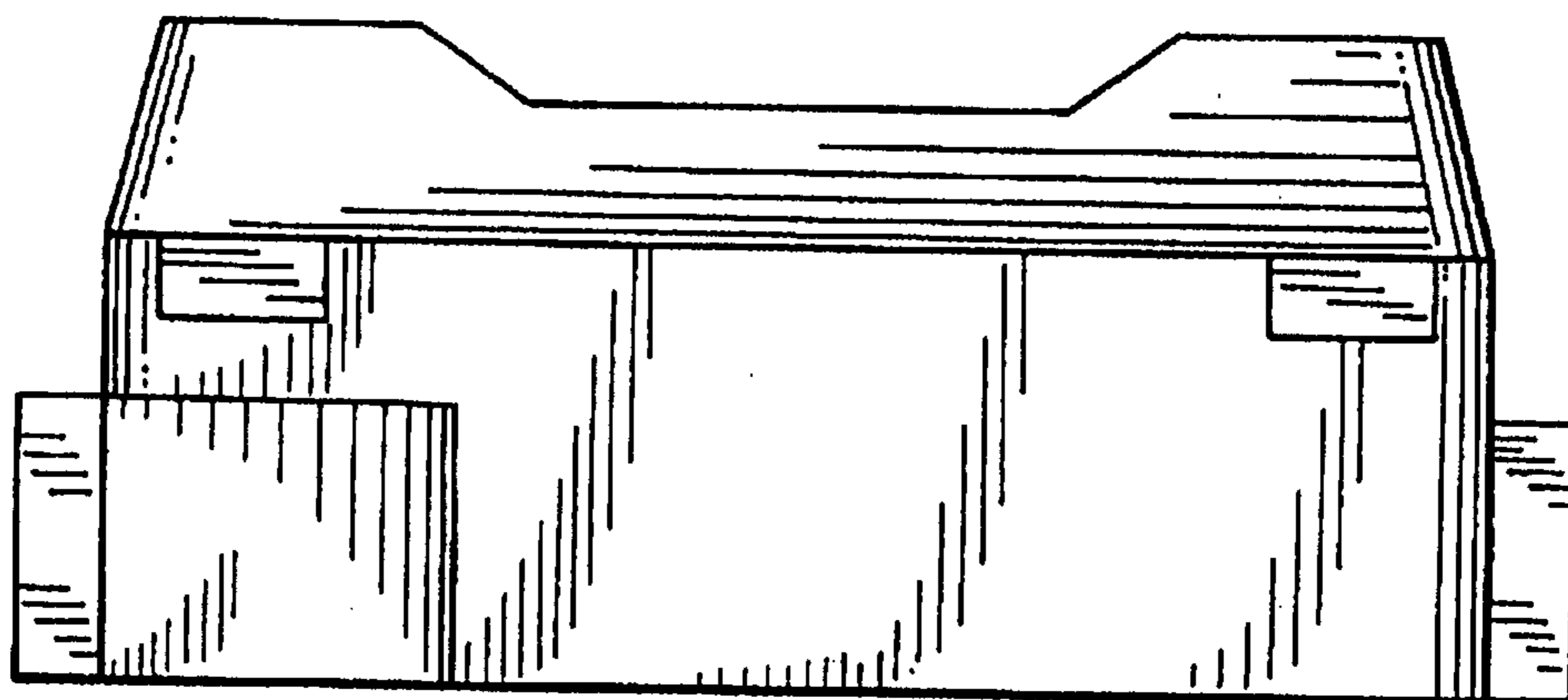


FIG. 6

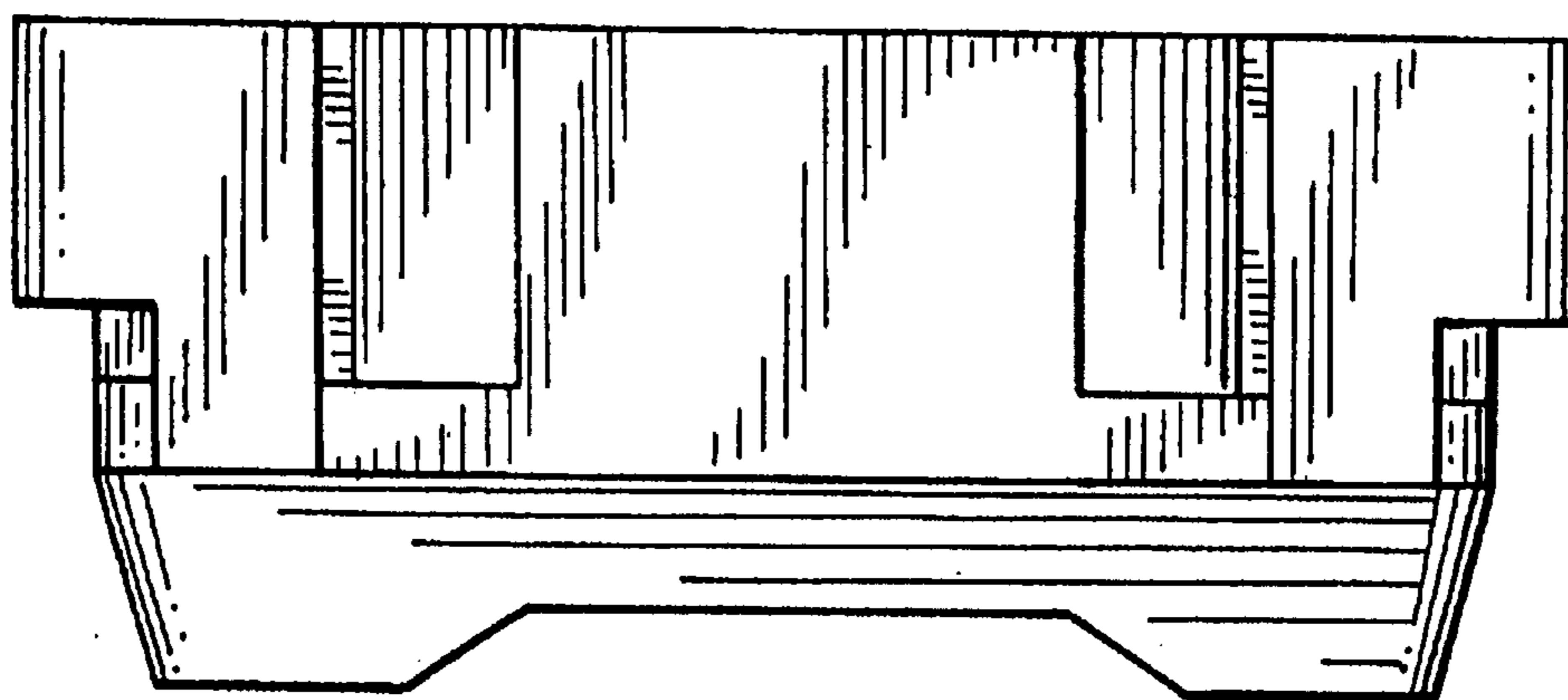


FIG. 7