



US00D537797S

(12) **United States Design Patent**
Yanai et al.

(10) **Patent No.:** **US D537,797 S**
(45) **Date of Patent:** **** Mar. 6, 2007**

(54) **SWITCH**
(75) Inventors: **Yasunori Yanai**, Tsuyama (JP); **Hisashi Watanabe**, Okayama (JP)
(73) Assignee: **Matsushita Electric Industrial Co., Ltd.**, Osaka (JP)

5,898,147 A * 4/1999 Domzalski et al. 200/1 B
6,271,487 B1 * 8/2001 Domzalski et al. 200/1 B
6,596,954 B2 * 7/2003 Miyashita 200/406
6,995,324 B2 * 2/2006 Asada 200/1 B
7,057,128 B1 * 6/2006 Oyagi et al. 200/406
2006/0131153 A1 * 6/2006 Asada 200/341

(**) Term: **14 Years**
(21) Appl. No.: **29/243,635**
(22) Filed: **Nov. 29, 2005**

FOREIGN PATENT DOCUMENTS
JP D1120150 9/2001
JP D1135847 3/2002

(30) **Foreign Application Priority Data**

Aug. 30, 2005 (JP) 2005-024982

(51) **LOC (8) Cl.** **13-03**
(52) **U.S. Cl.** **D13/171**
(58) **Field of Classification Search** D13/158,
D13/171, 174; 200/1 B, 5 A, 6 R, 293-297,
200/314, 315, 341, 344, 406, 513, 520, 523,
200/530

See application file for complete search history.

* cited by examiner

Primary Examiner—Selina Sikder
(74) *Attorney, Agent, or Firm*—Brinks Hofer Gilson & Lione

(56) **References Cited**

U.S. PATENT DOCUMENTS

D294,344 S * 2/1988 Troutman et al. D13/158
D301,136 S * 5/1989 Saito D13/171
4,843,197 A * 6/1989 Kojima et al. 200/406
4,987,278 A * 1/1991 Tsutsumi 200/294
D316,540 S * 4/1991 Hirose D13/171
5,199,555 A * 4/1993 Hirano 200/341
5,760,352 A * 6/1998 Ishihara et al. 200/16 D

(57) **CLAIM**

We claim the ornamental design for a switch, as shown and described.

DESCRIPTION

FIG. 1 is a top perspective view of a switch of the present invention;
FIG. 2 is a front view thereof;
FIG. 3 is a top view thereof;
FIG. 4 is a first side view thereof;
FIG. 5 is a second side view thereof;
FIG. 6 is a bottom view thereof; and,
FIG. 7 is a rear view thereof.
The switch is turned on and off by pushing the circular head in which a light source is placeable to show the status of the switch.

1 Claim, 3 Drawing Sheets

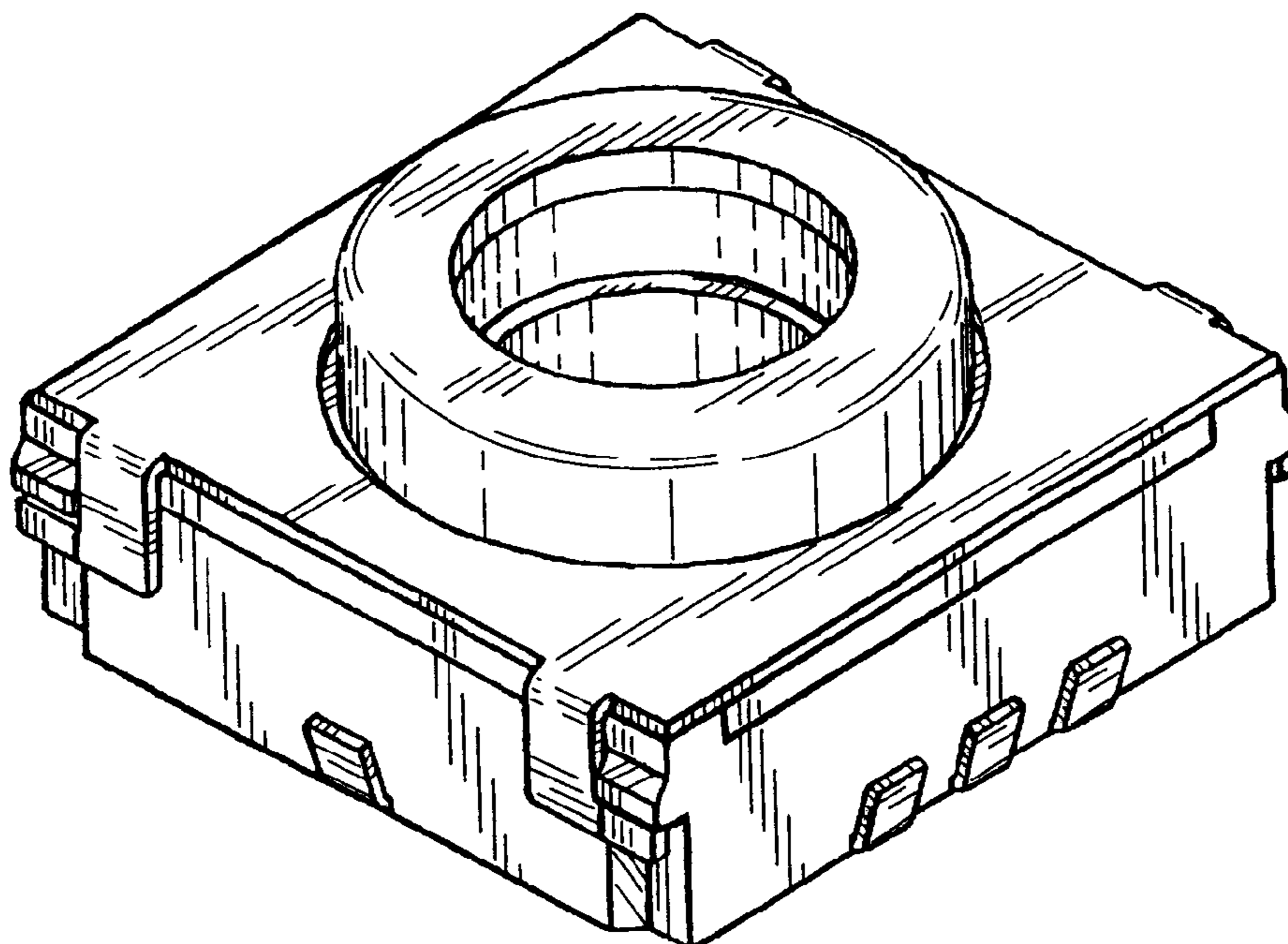


FIG.1

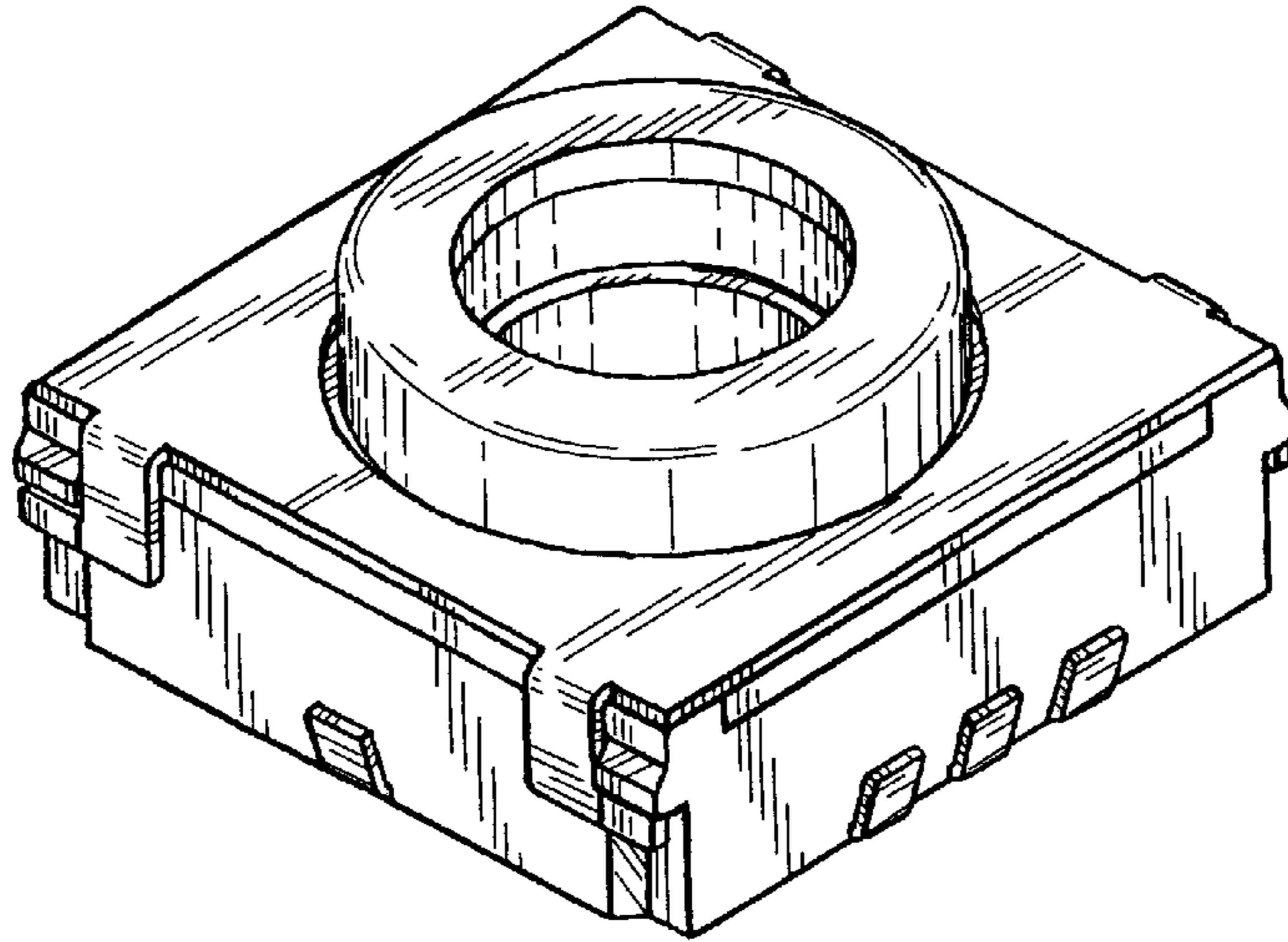


FIG.2

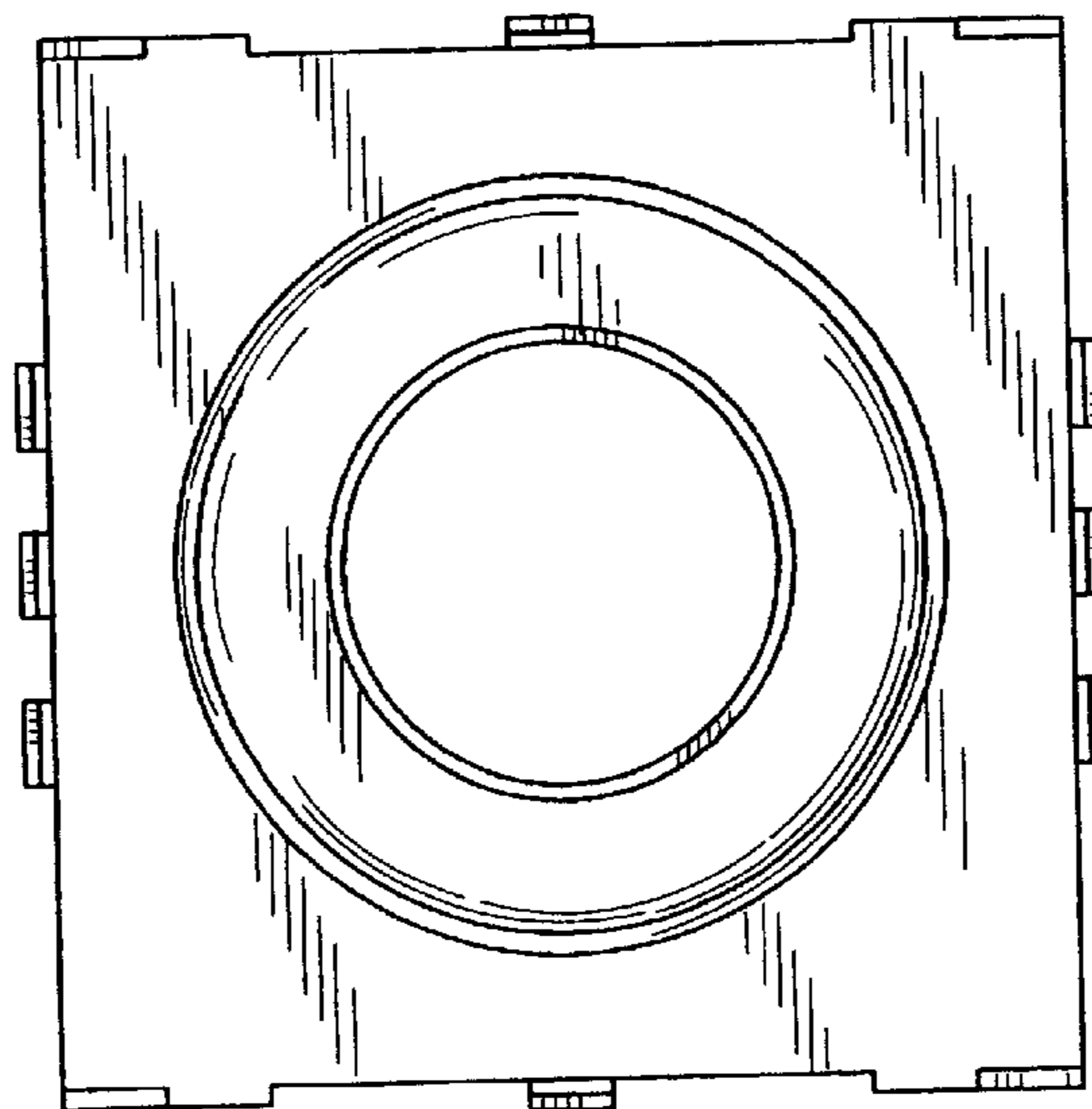


FIG.3

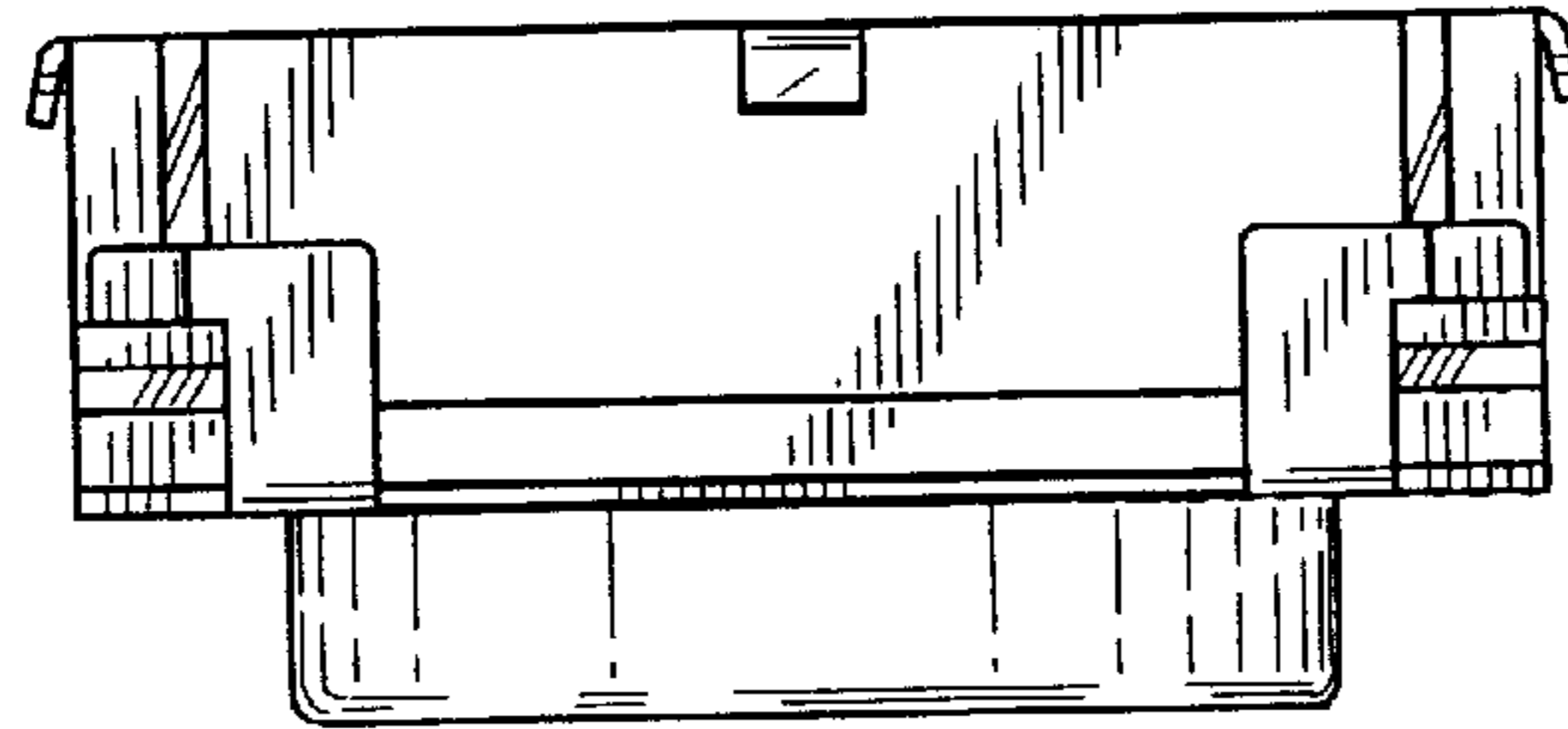


FIG.4

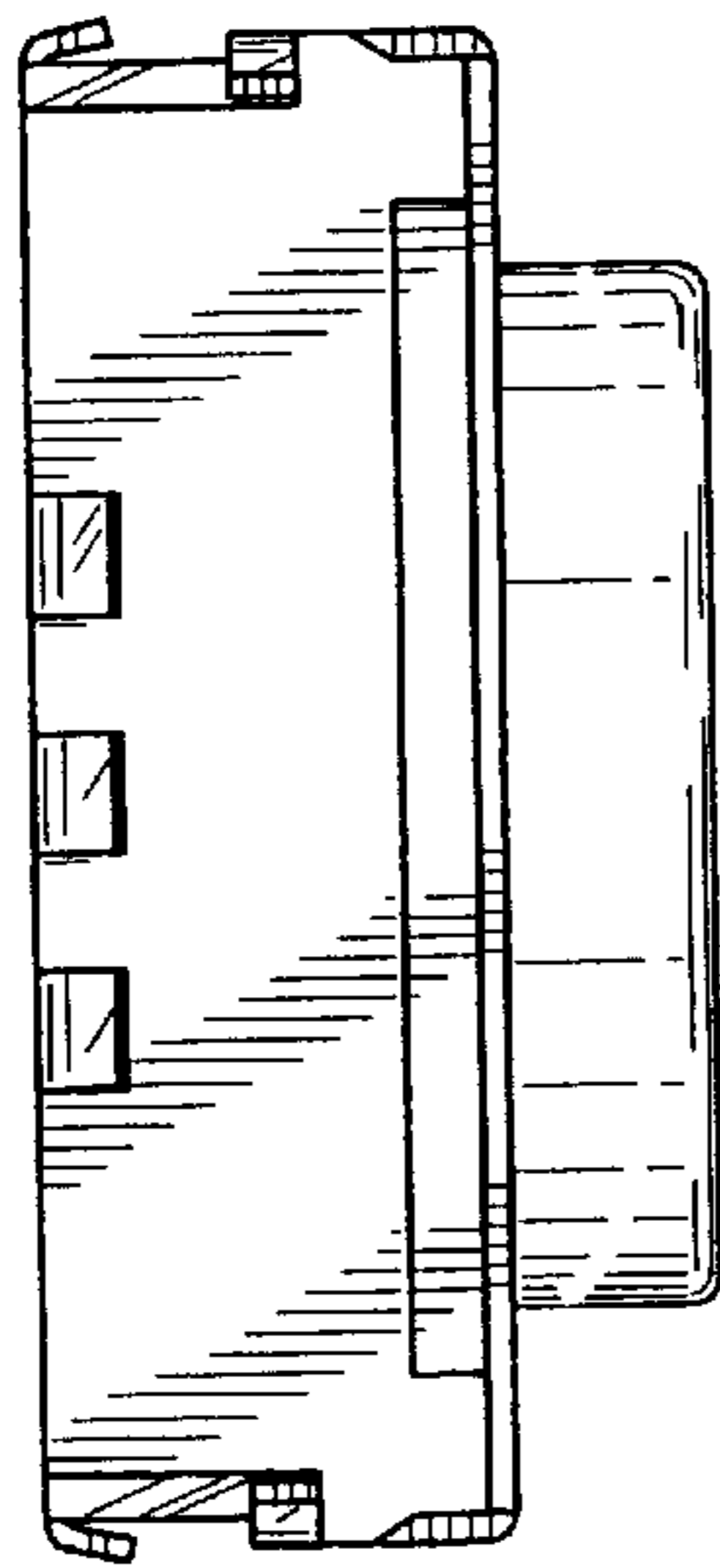


FIG.5

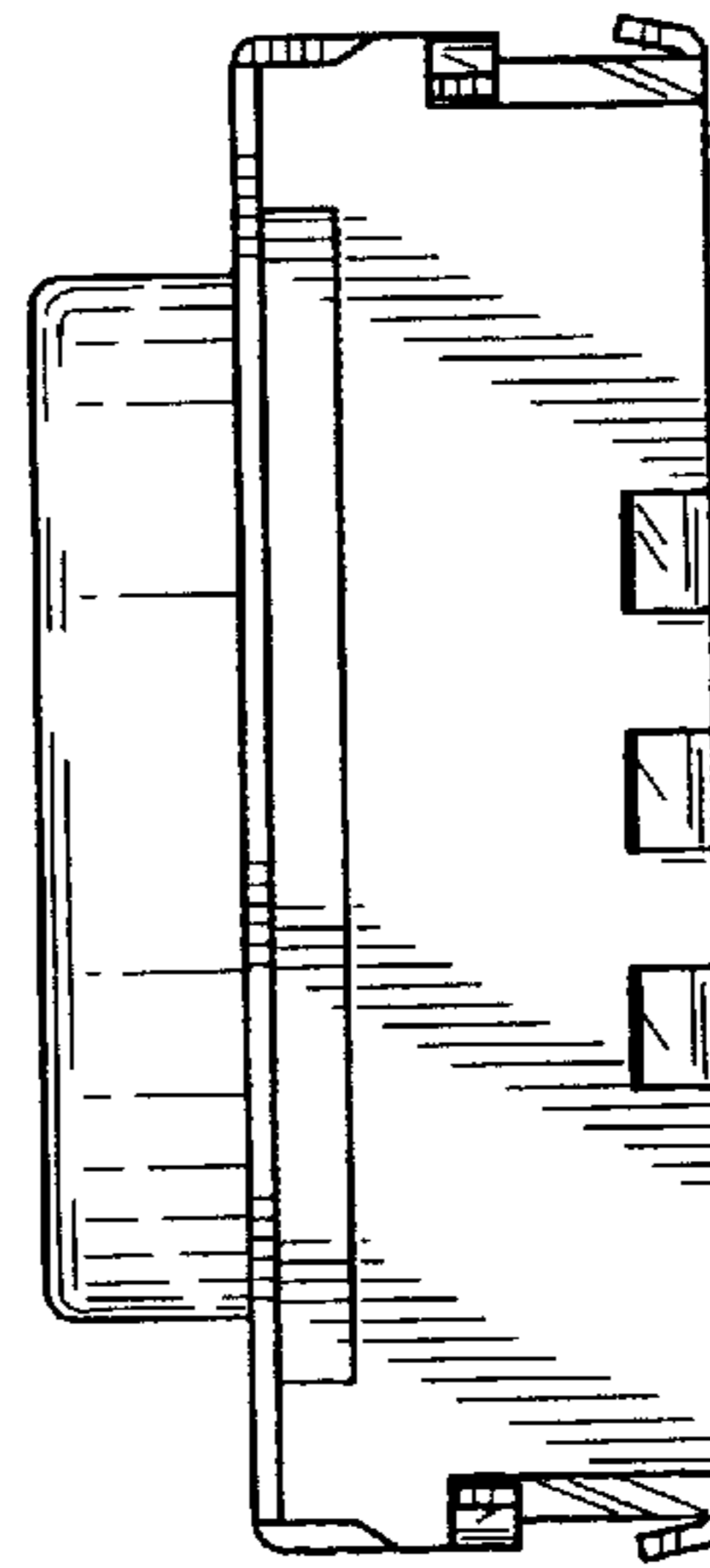


FIG.6

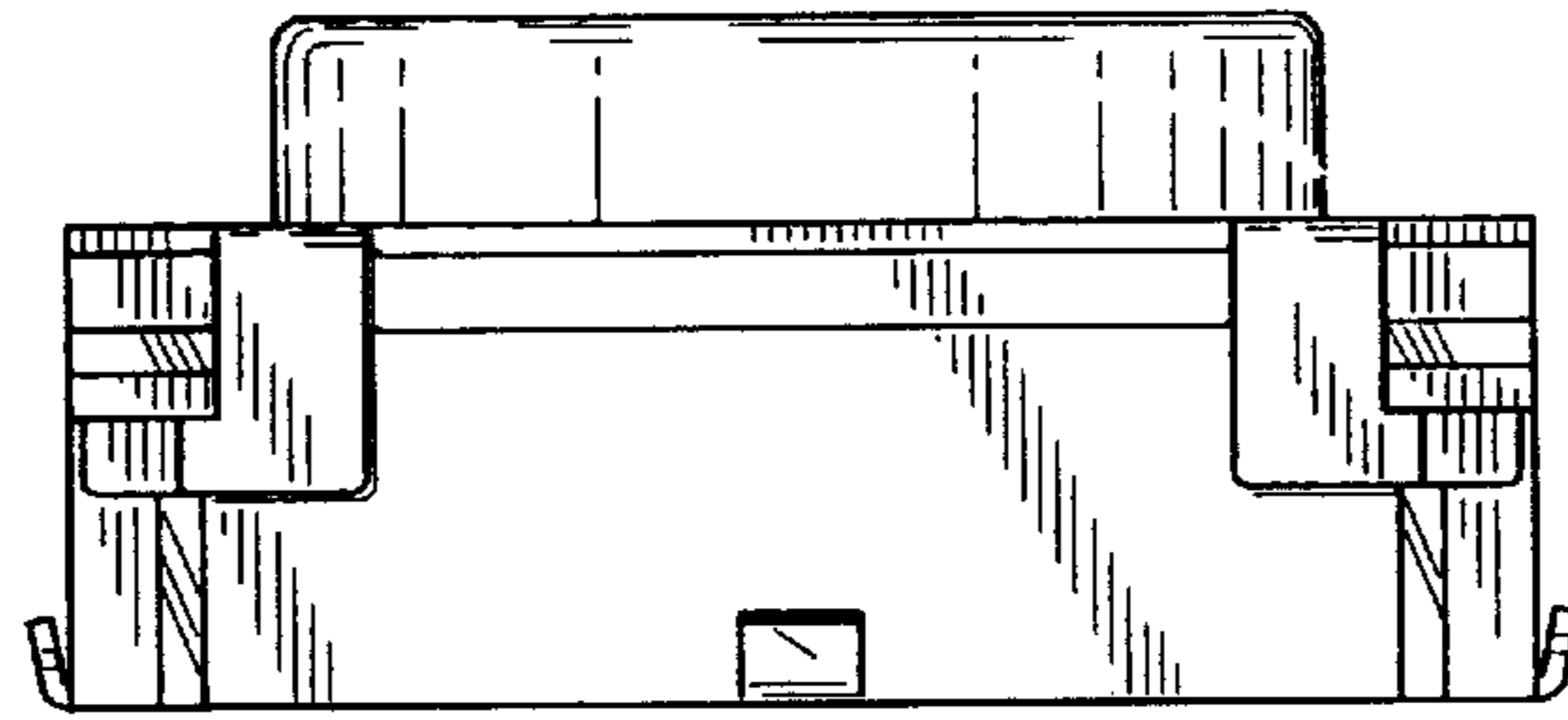


FIG.7

