



US00D537796S

(12) **United States Design Patent**
Fabrizi

(10) **Patent No.:** **US D537,796 S**
(45) **Date of Patent:** **** Mar. 6, 2007**

(54) **ELECTRICAL APPARATUS**
(75) Inventor: **Fabrizio Fabrizi**, Bergamo (IT)
(73) Assignee: **BTICINO S.p.A.**, Milan (IT)
(**) Term: **14 Years**

D294,346 S * 2/1988 Holmes D13/171
D309,290 S * 7/1990 Newmark et al. D13/169
D369,143 S * 4/1996 Sorenson D13/169
6,066,816 A * 5/2000 Benger 200/296
6,274,831 B1 * 8/2001 Kim et al. 200/296
D456,786 S * 5/2002 Yu D13/169
2003/0038020 A1 * 2/2003 Taniuchi et al. 200/339

* cited by examiner

(21) Appl. No.: **29/239,668**
(22) Filed: **Oct. 3, 2005**

Primary Examiner—Selina Sikder
(74) *Attorney, Agent, or Firm*—Hogan & Hartson LLP

(30) **Foreign Application Priority Data**

Apr. 7, 2005 (EM) 332207

(51) **LOC (8) Cl.** **13-03**
(52) **U.S. Cl.** **D13/171**
(58) **Field of Classification Search** D13/158,
D13/171, 174; 200/1 B, 5 A, 6 R, 293–297,
200/314, 315, 341, 344, 406, 513, 520, 523,
200/530

See application file for complete search history.

(56) **References Cited**

U.S. PATENT DOCUMENTS

D269,607 S * 7/1983 Ohashi D13/169
4,461,938 A * 7/1984 Sorenson 200/296

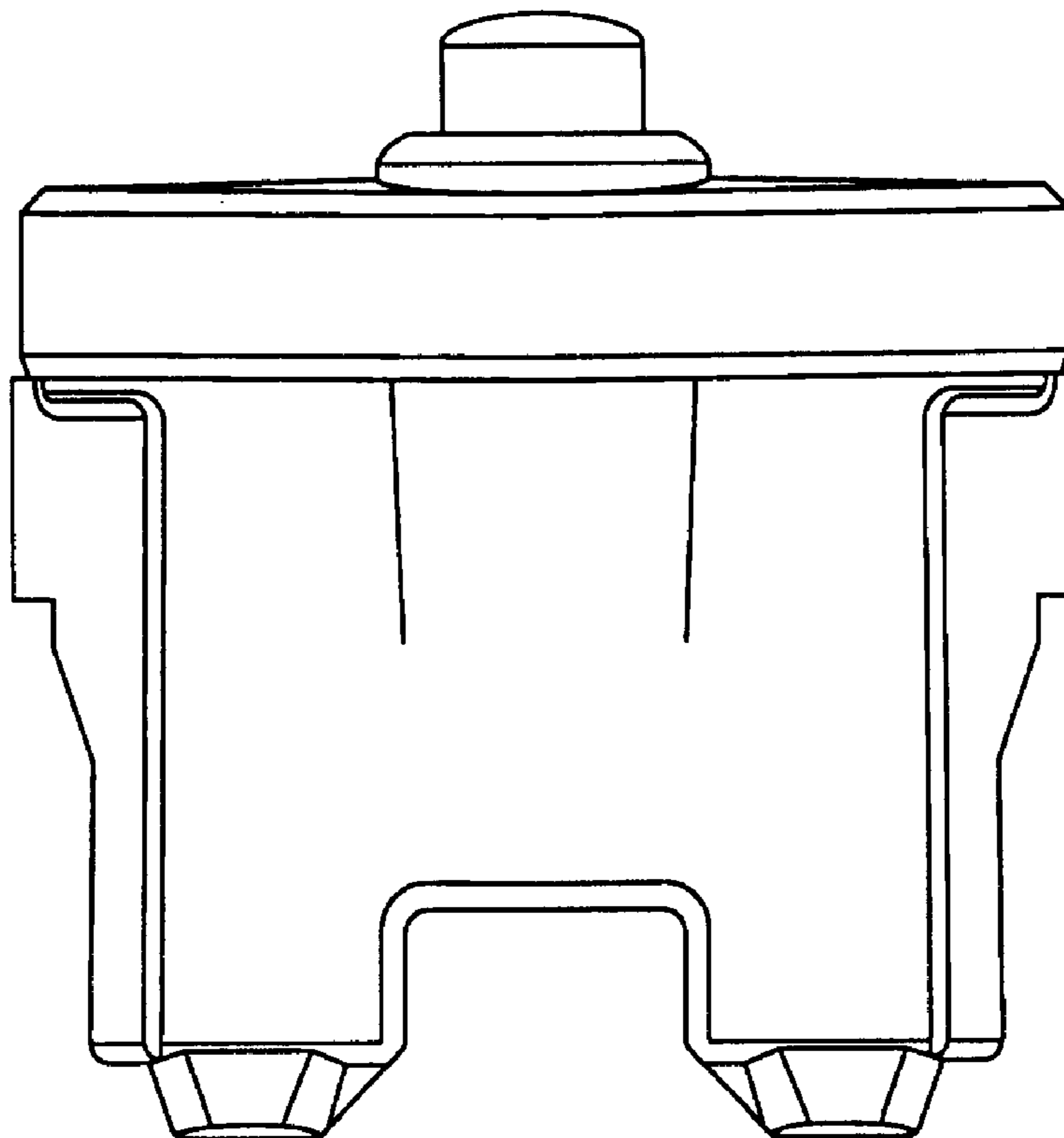
(57) **CLAIM**

The ornamental design for an electrical apparatus, as shown and described.

DESCRIPTION

FIG. 1 is a bottom view of an electrical apparatus;
FIG. 2 is a right side view of the electrical apparatus;
FIG. 3 is a front view of the electrical apparatus;
FIG. 4 is a left side view of the electrical apparatus;
FIG. 5 is a top view of the electrical apparatus; and,
FIG. 6 is a perspective view of the electrical apparatus.
No claim is made to a rear view of the electrical apparatus.

1 Claim, 2 Drawing Sheets



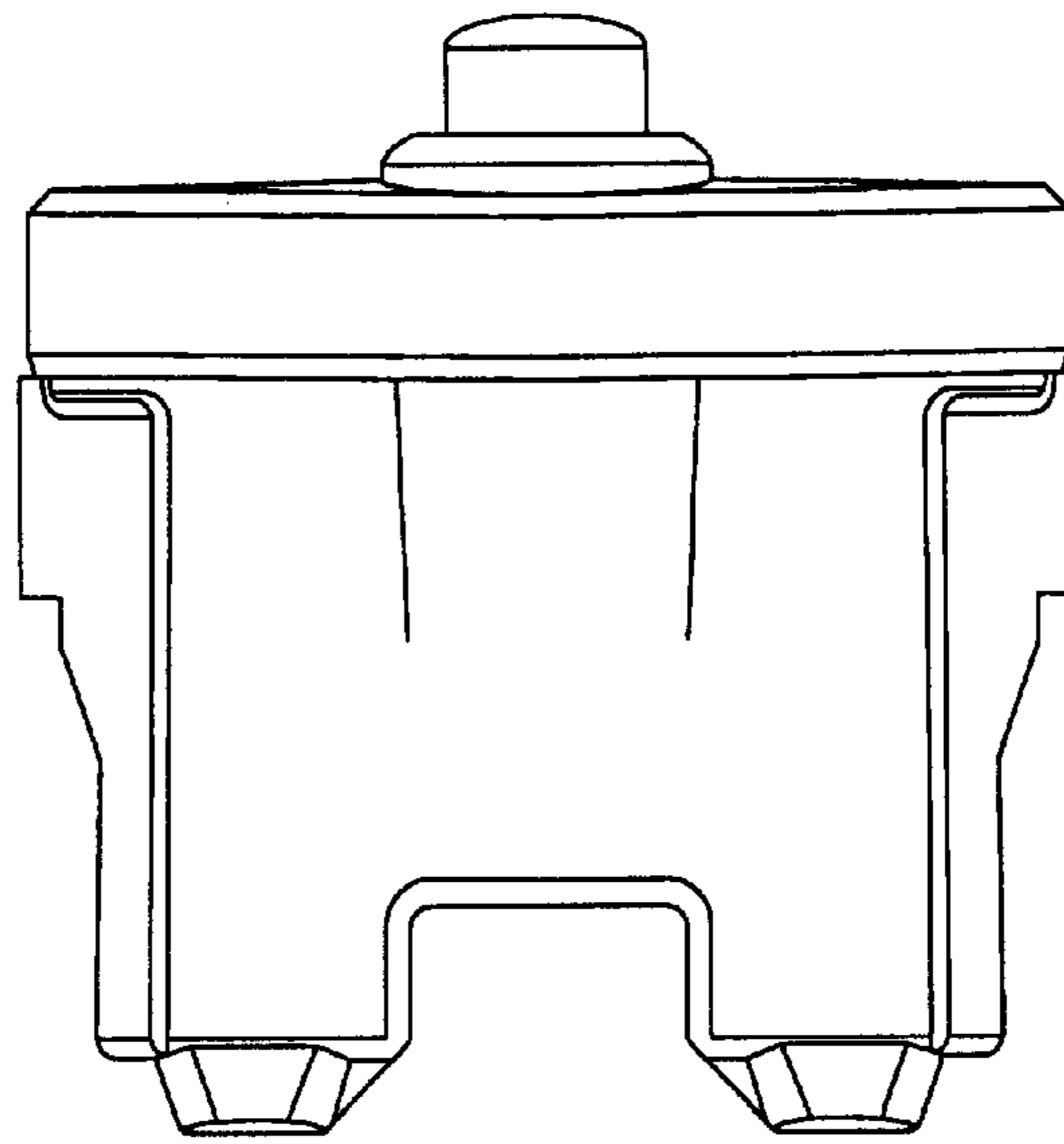


FIG. 1

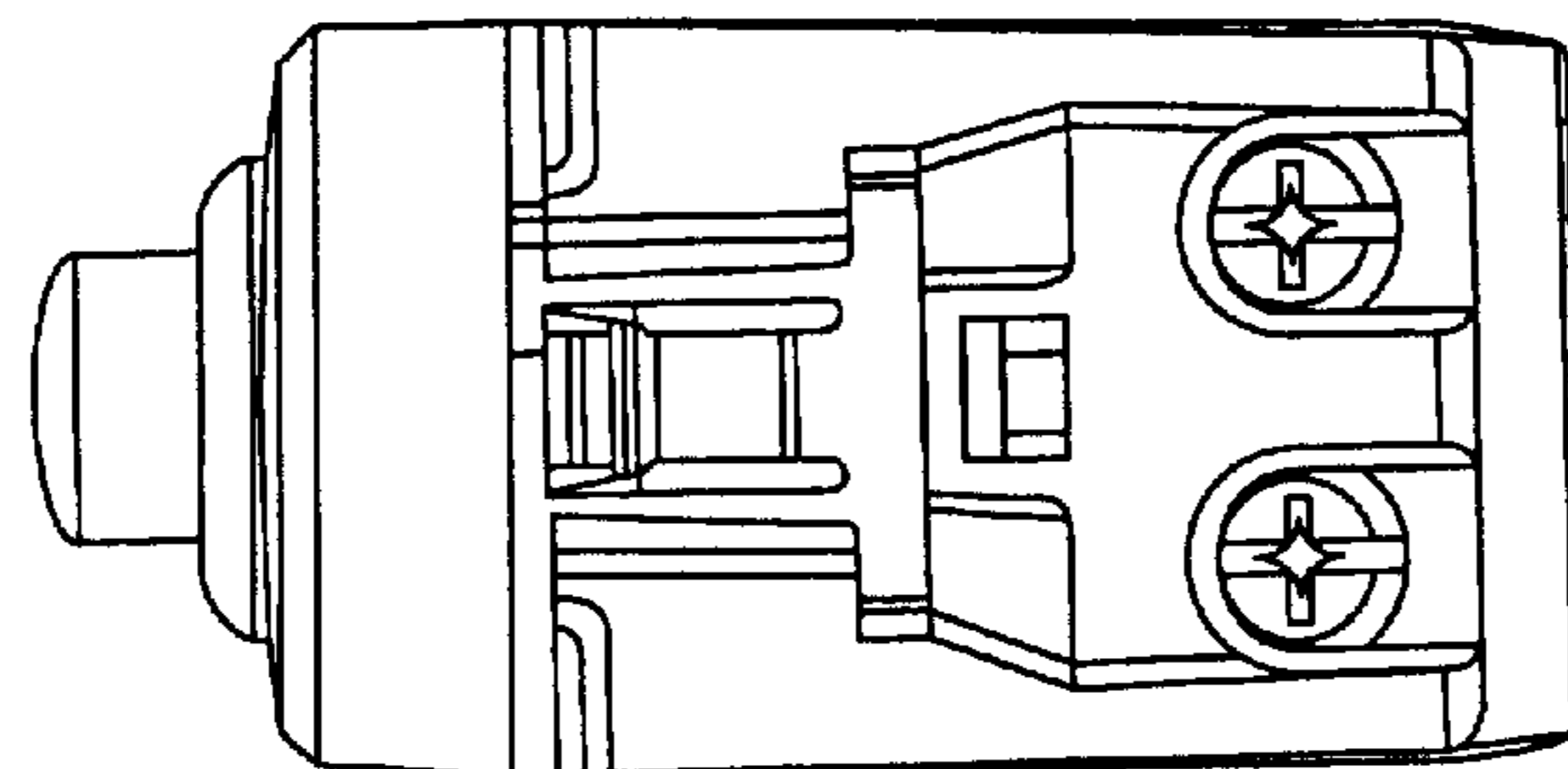


FIG. 2

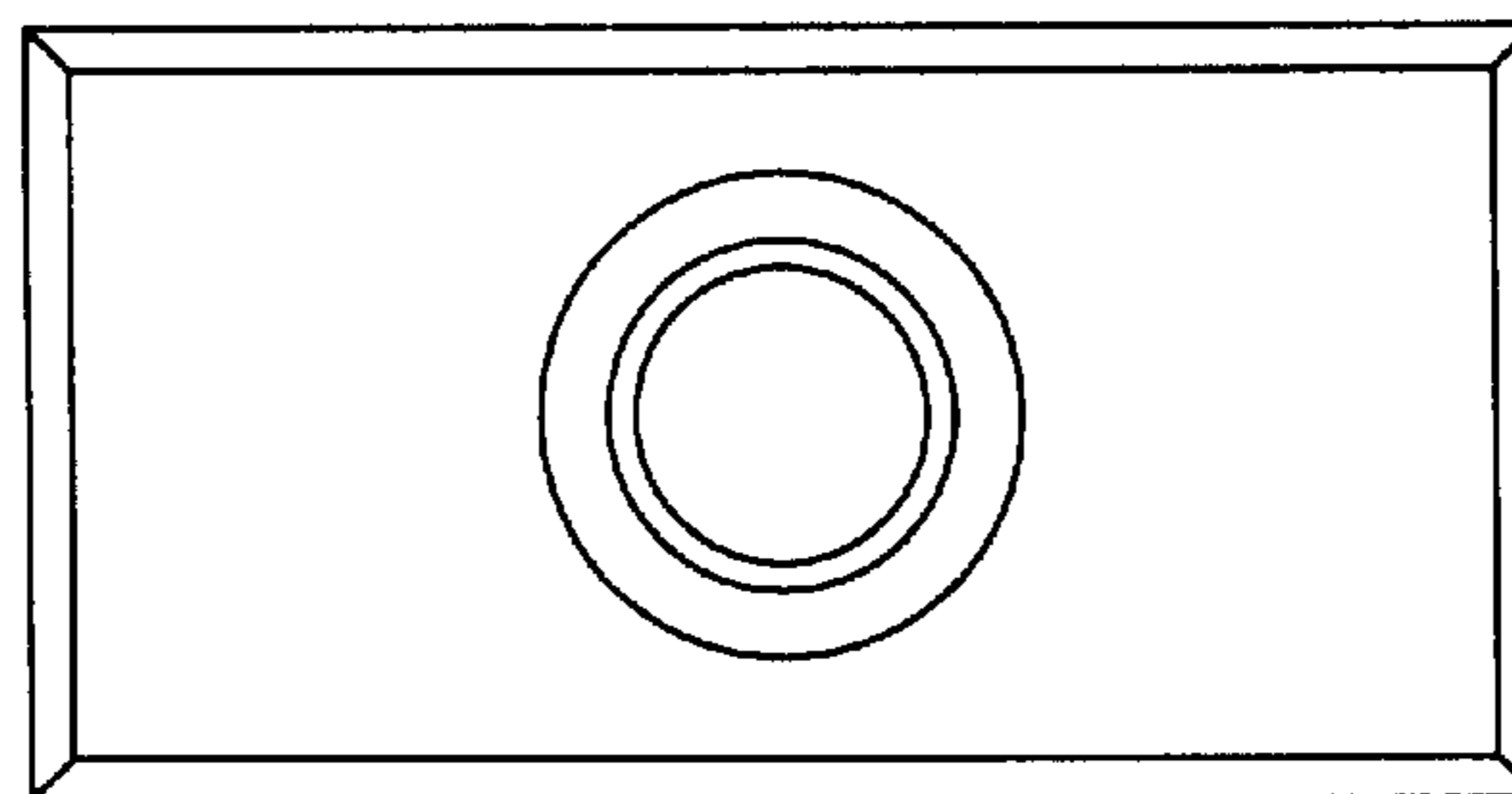


FIG. 3

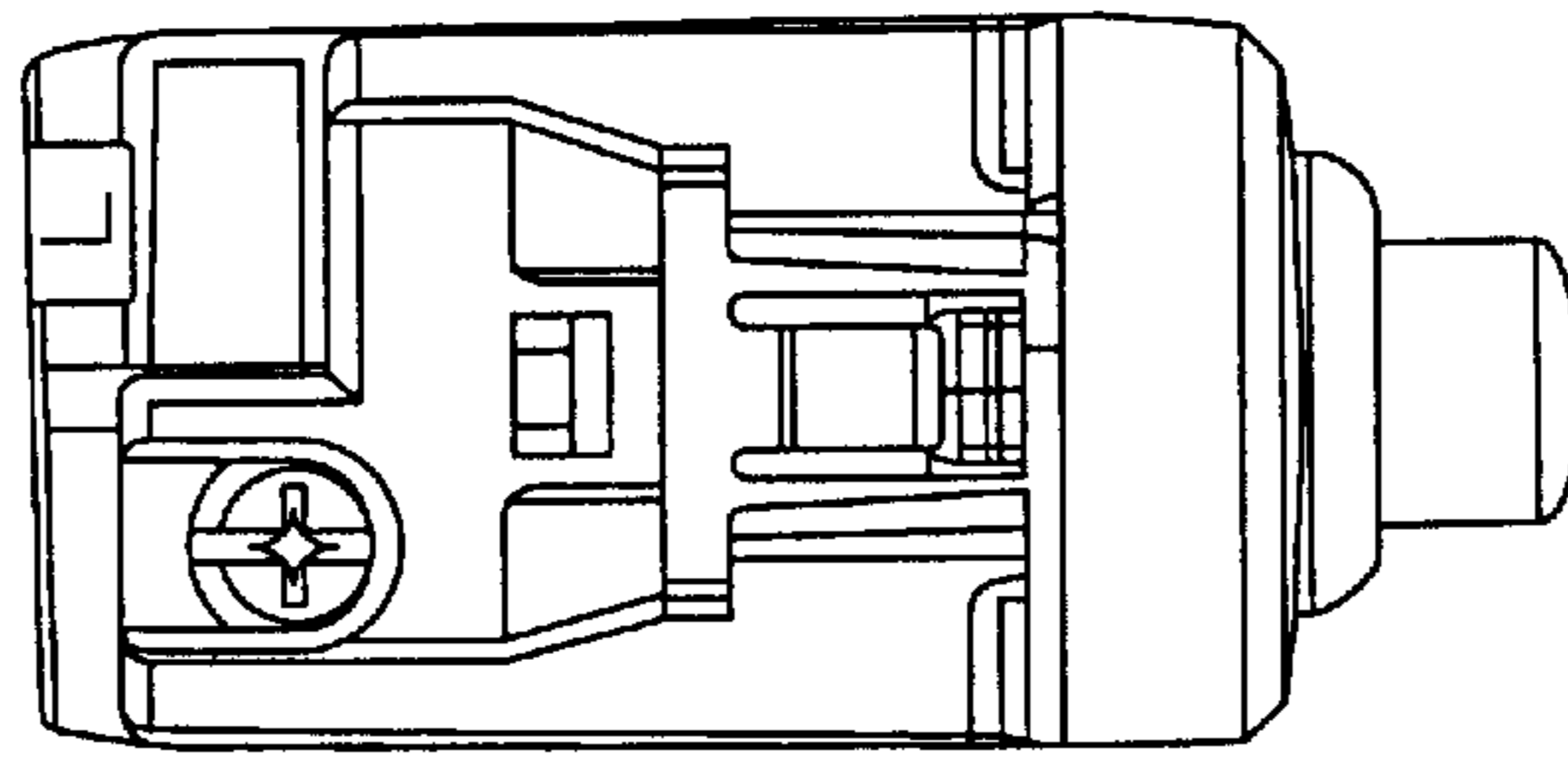


FIG. 4

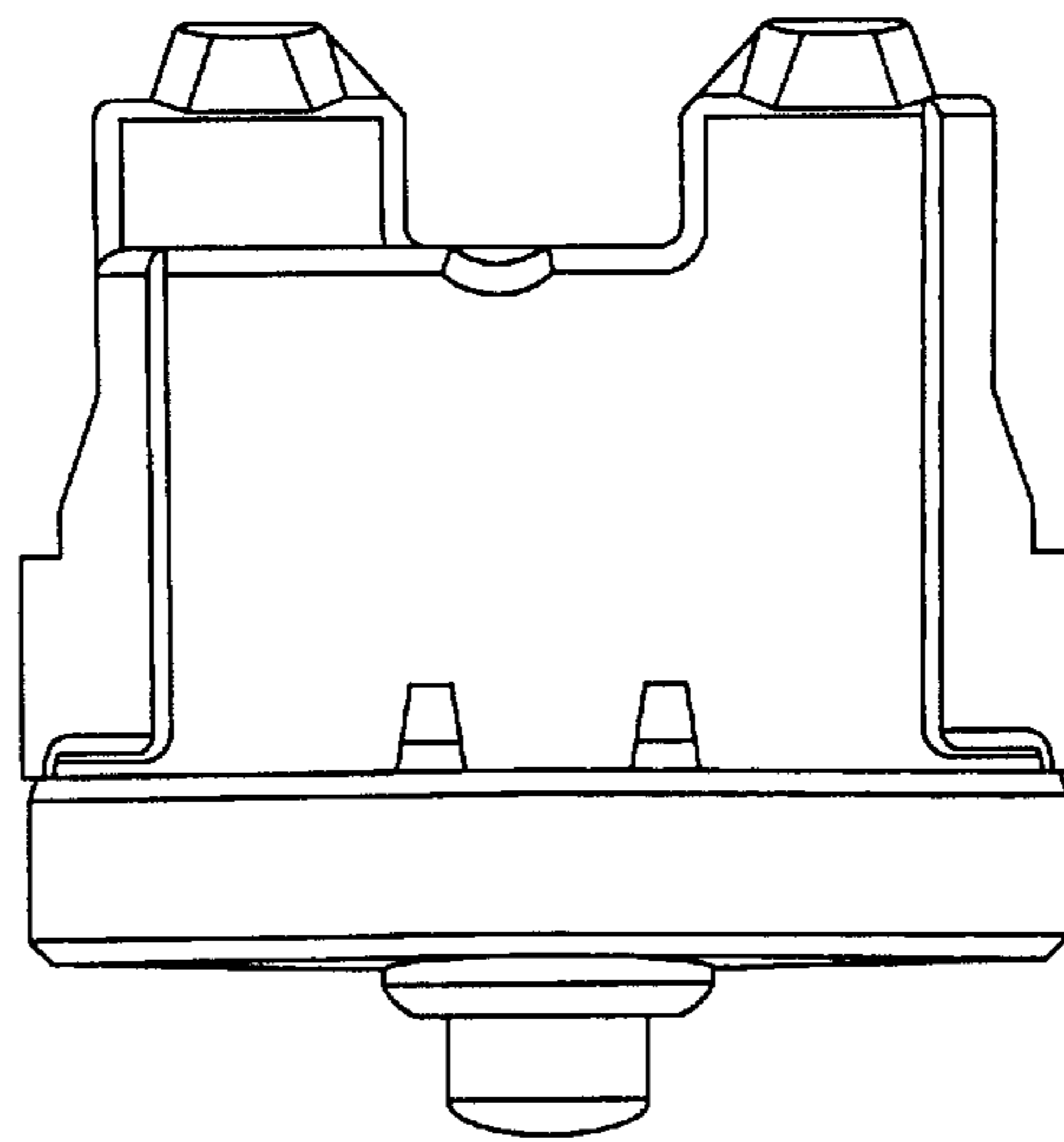


FIG. 5

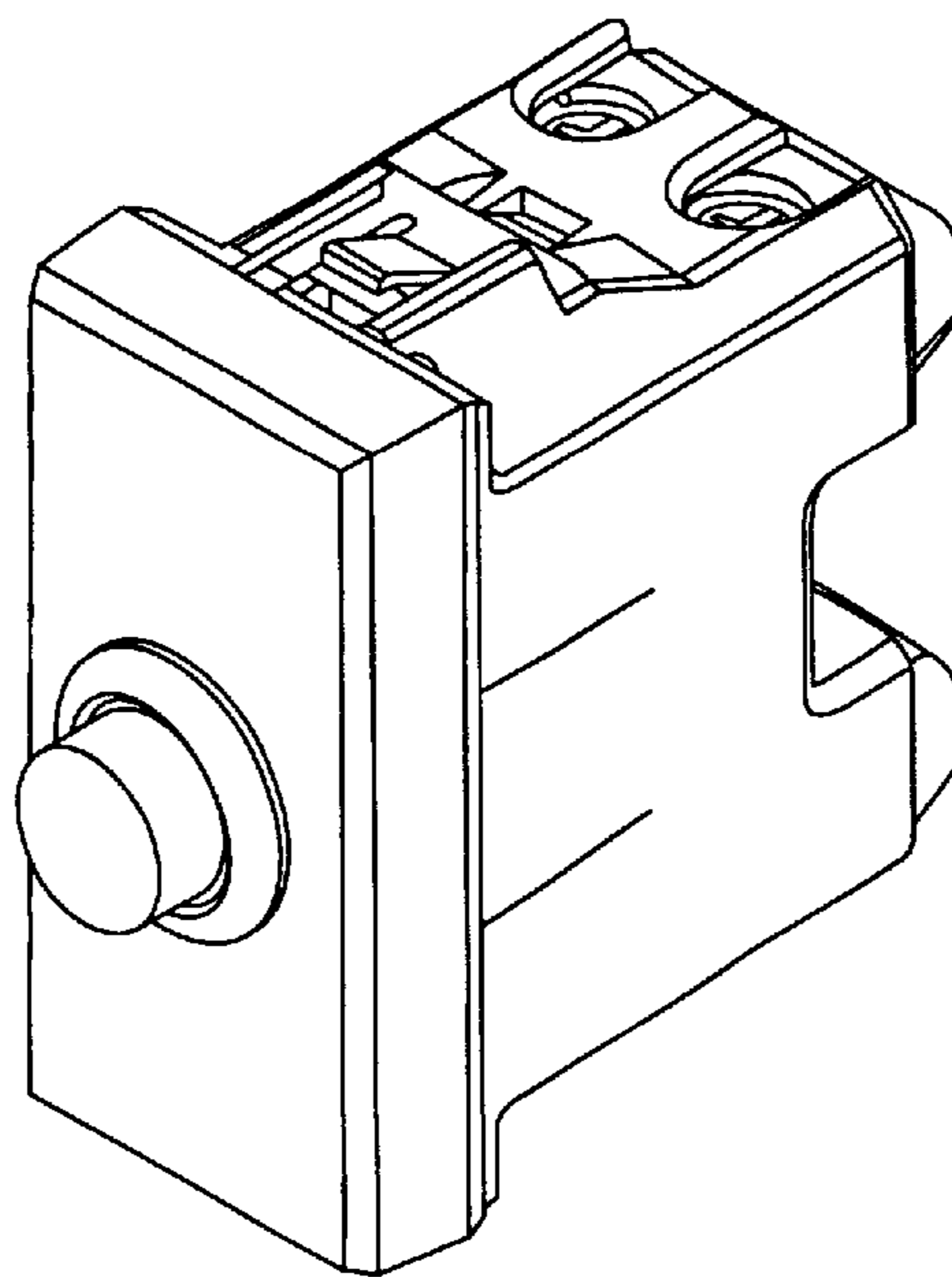


FIG. 6