



US00D537793S

(12) **United States Design Patent**  
**Shapson**

(10) **Patent No.:** **US D537,793 S**

(45) **Date of Patent:** **\*\* Mar. 6, 2007**

(54) **VIDEO SPLITTER**

(75) **Inventor:** **Jay F. Shapson**, Englishtown, NJ (US)

(73) **Assignee:** **Extreme Broadband Engineering, LLC.**, Englishtown, NJ (US)

(\*\*) **Term:** **14 Years**

(21) **Appl. No.:** **29/203,733**

(22) **Filed:** **Apr. 19, 2004**

(51) **LOC (8) Cl.** ..... **13-03**

(52) **U.S. Cl.** ..... **D13/151**

(58) **Field of Classification Search** ..... D13/133,  
D13/146-147, 151, 154, 158, 184, 199; D14/125,  
D14/217, 230, 239, 299; 174/59; 333/100-101,  
333/206; 439/63, 579, 578, 581, 709  
See application file for complete search history.

(56) **References Cited**

**U.S. PATENT DOCUMENTS**

D301,239 S	*	5/1989	Chino	.....	D14/217
D301,240 S	*	5/1989	Chino	.....	D14/217
5,574,440 A	*	11/1996	Kurtz	.....	340/825.57
D396,691 S	*	8/1998	Shen	.....	D13/147
D409,985 S	*	5/1999	Hsiang	.....	D13/151
D452,682 S	*	1/2002	Inoue	.....	D13/151

D452,850 S	*	1/2002	Inoue	.....	D13/151
D482,681 S	*	11/2003	Dalby et al.	.....	D14/247
6,755,665 B2	*	6/2004	Lu	.....	439/63
6,969,278 B2	*	11/2005	Shapson	.....	439/579
7,081,000 B1	*	7/2006	Senigla	.....	439/306
2005/0233637 A1	*	10/2005	Shapson	.....	439/579
2006/0035532 A1	*	2/2006	Lu	.....	439/709

\* cited by examiner

*Primary Examiner*—Daniel Bui

(74) *Attorney, Agent, or Firm*—Watov & Knipes, PC;  
Kenneth Watov

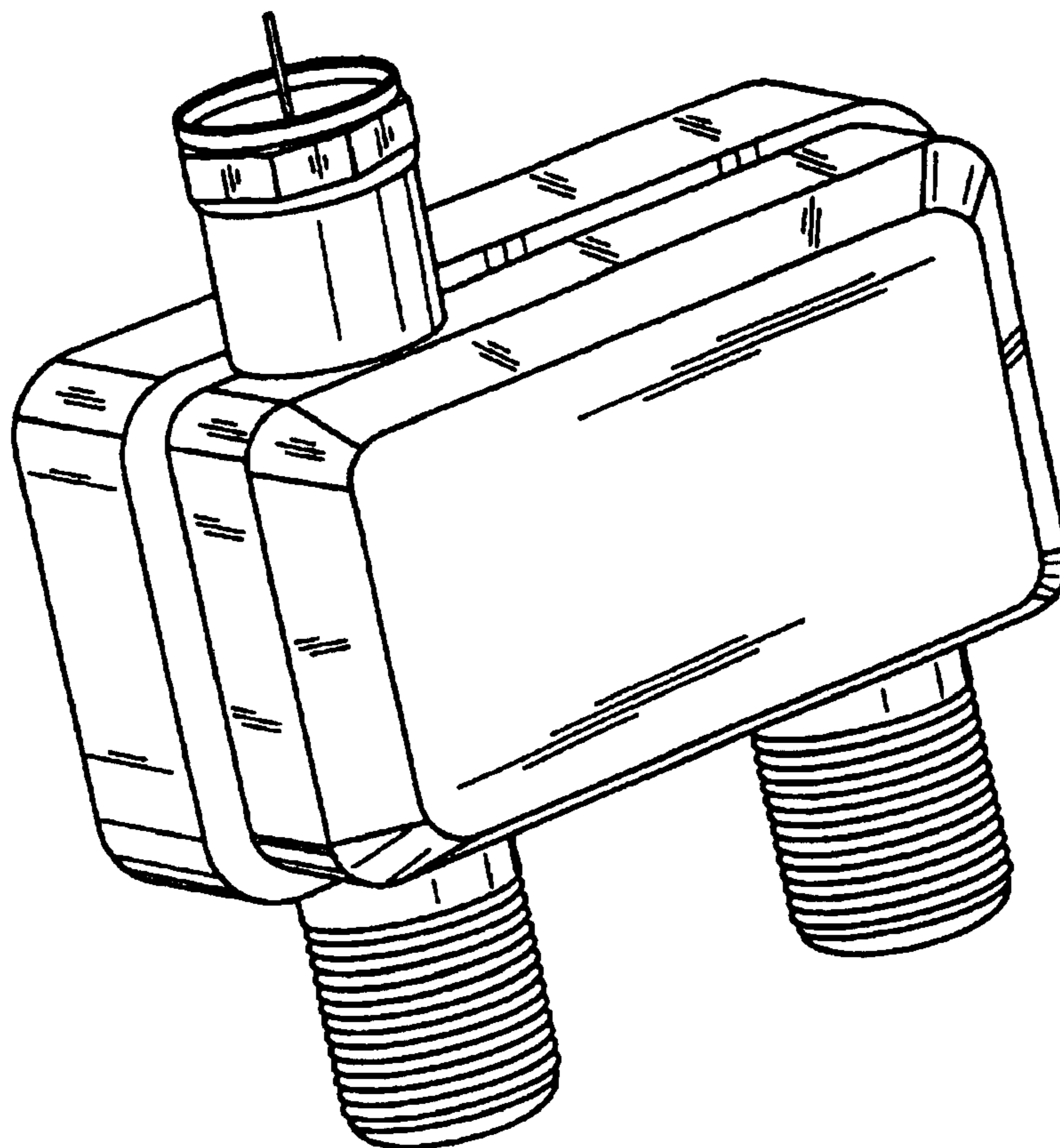
(57) **CLAIM**

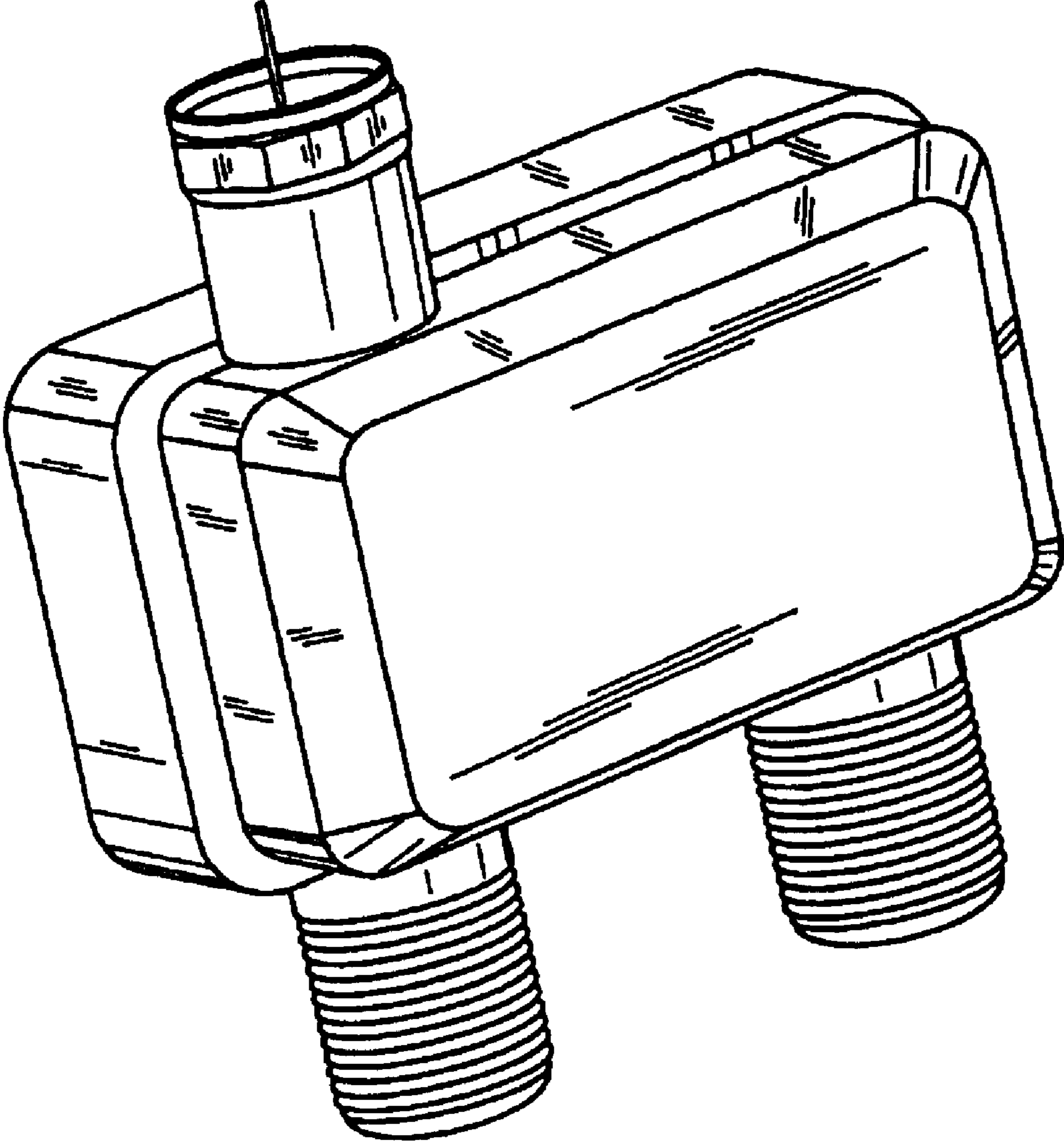
The ornamental design for a video splitter, as shown and described.

**DESCRIPTION**

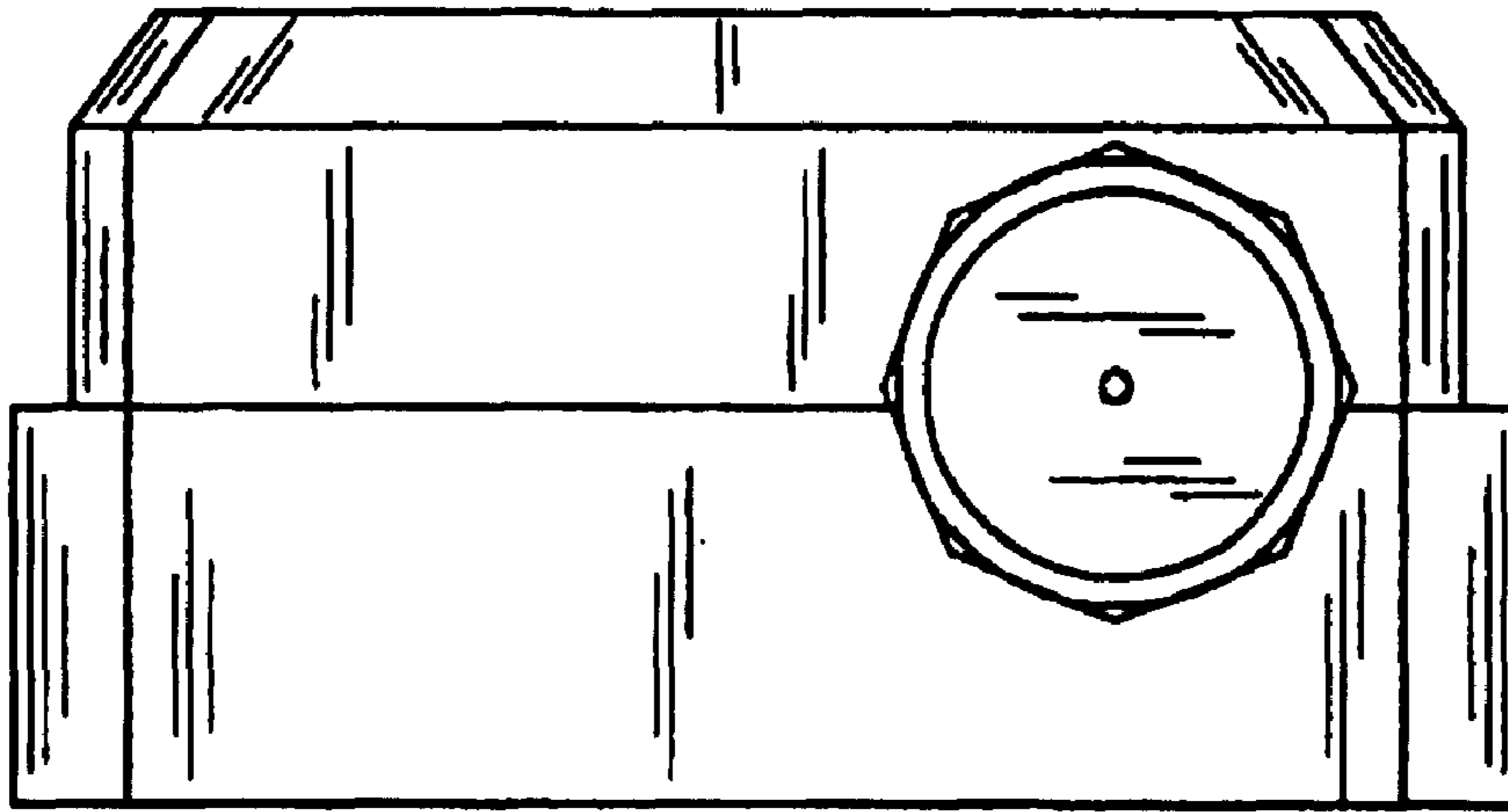
FIG. 1 is a top, front and right side perspective view of a video splitter showing my new design; FIG. 2 is a top plan view thereof; FIG. 3 is a bottom plan view thereof; FIG. 4 is a right side elevational view thereof, the left side elevational view is a mirror image thereto; FIG. 5 is a front elevational view thereof; and, FIG. 6 is a back elevation view thereof.

**1 Claim, 4 Drawing Sheets**

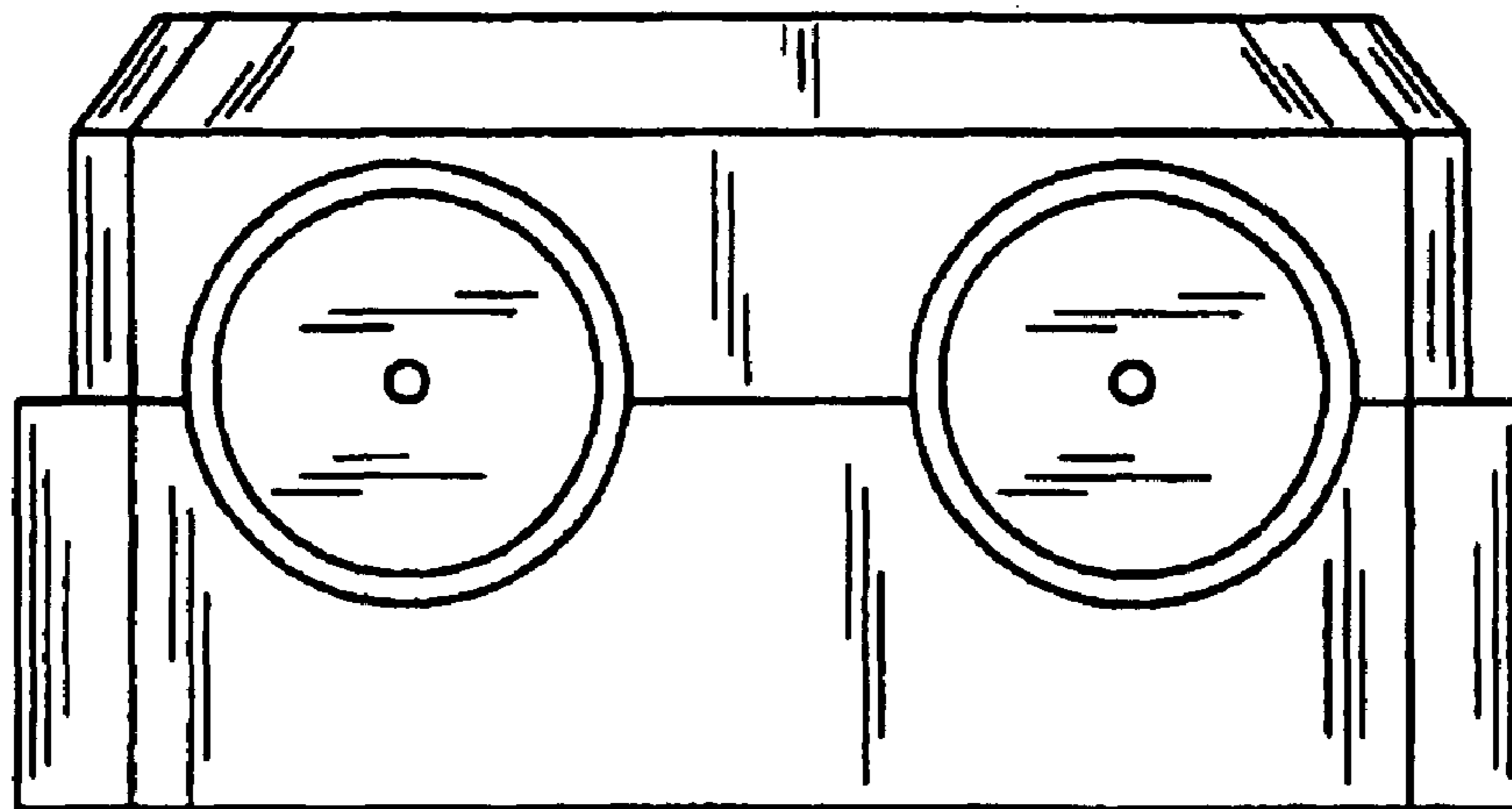




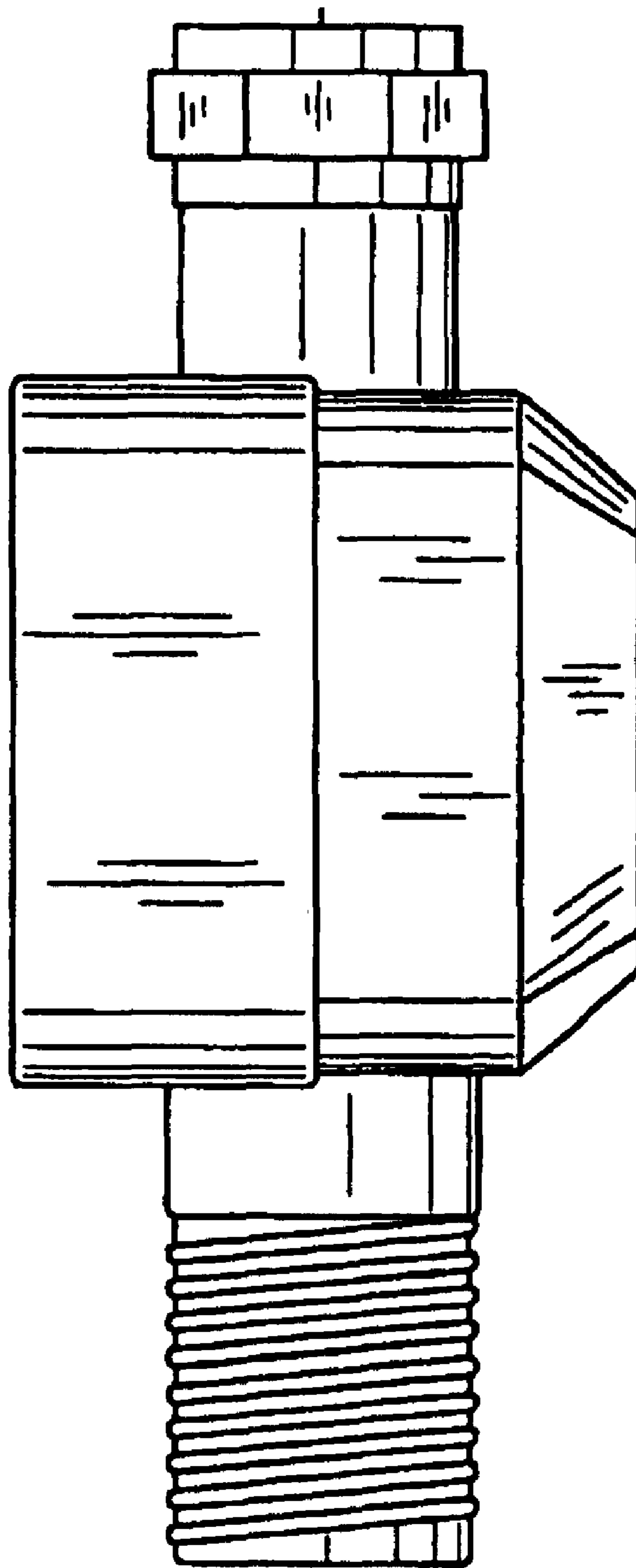
*FIG. 1*



*FIG. 2*



*FIG. 3*



*FIG. 4*

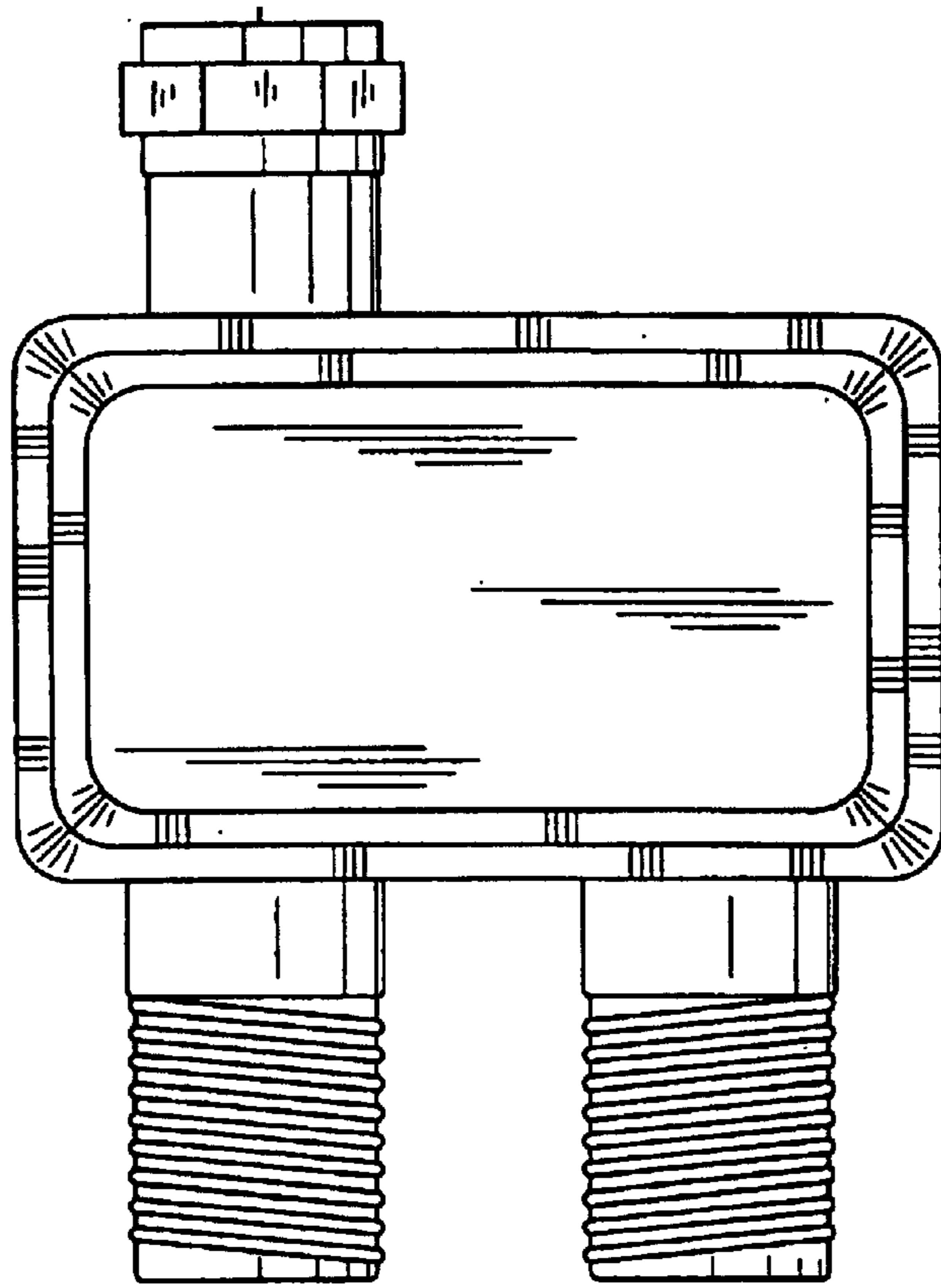


FIG. 5

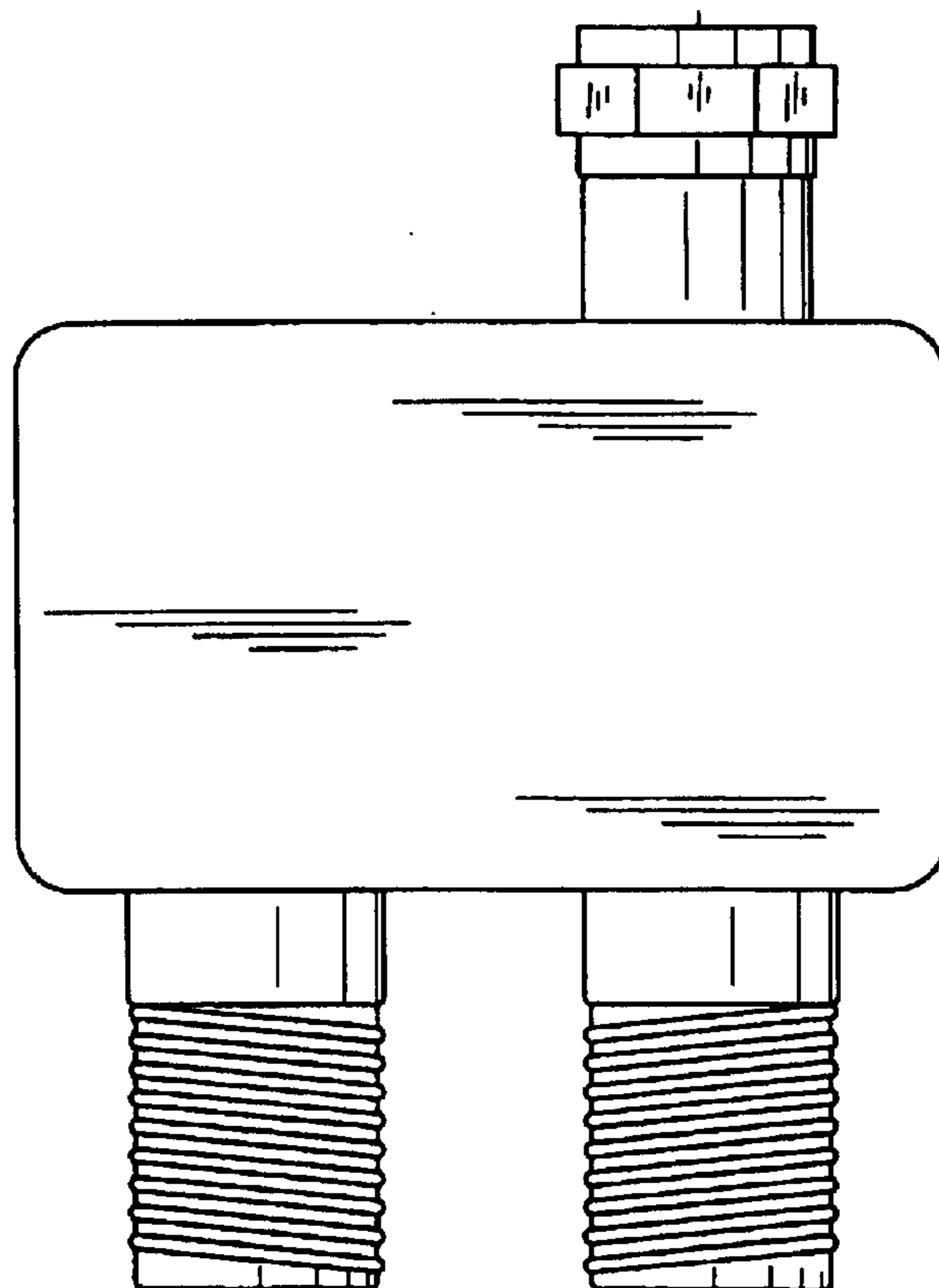


FIG. 6