



US00D537792S

(12) **United States Design Patent**
Imai

(10) **Patent No.:** **US D537,792 S**

(45) **Date of Patent:** **** Mar. 6, 2007**

(54) **ELECTRICAL CONNECTOR**

(75) Inventor: **Toru Imai, Yao (JP)**

(73) Assignee: **Hosiden Corporation, Osaka (JP)**

(**) Term: **14 Years**

(21) Appl. No.: **29/259,061**

(22) Filed: **May 2, 2006**

(30) **Foreign Application Priority Data**

Nov. 10, 2005 (JP) 2005-033111
Nov. 10, 2005 (JP) 2005-033112

(51) **LOC (8) Cl.** **13-03**

(52) **U.S. Cl.** **D13/147**

(58) **Field of Classification Search** D13/123,
D13/133, 146-147, 154, 184, 199; 439/79,
439/108, 278, 374, 377, 660, 540.1, 541.5,
439/607-610, 883, 891, 894

See application file for complete search history.

(56) **References Cited**

U.S. PATENT DOCUMENTS

5,637,015 A * 6/1997 Tan et al. 439/607
6,095,861 A * 8/2000 Lin et al. 439/607

D480,687 S * 10/2003 Zhu et al. D13/147
D482,659 S * 11/2003 Zhang D13/147
D515,509 S * 2/2006 Moriwake et al. D13/147
D520,953 S * 5/2006 Moriwake et al. D13/147
2003/0008553 A1 * 1/2003 Oleynick et al. 439/541.5
2005/0255745 A1 * 11/2005 Walker et al. 439/541.5

* cited by examiner

Primary Examiner—Daniel Bui

(74) *Attorney, Agent, or Firm*—Koda & Androlia

(57) **CLAIM**

The ornamental design for an electrical connector, as shown and described.

DESCRIPTION

FIG. 1 is a top, front and right side perspective view of an electrical connector, showing my new design;
FIG. 2 is a bottom, rear and left side perspective view thereof;
FIG. 3 is a front elevation view thereof;
FIG. 4 is a rear elevation view thereof;
FIG. 5 is a left side elevation view thereof; the right side elevation view is a mirror image thereto;
FIG. 6 is a top plan view thereof; and,
FIG. 7 is a bottom plan view thereof.

1 Claim, 4 Drawing Sheets

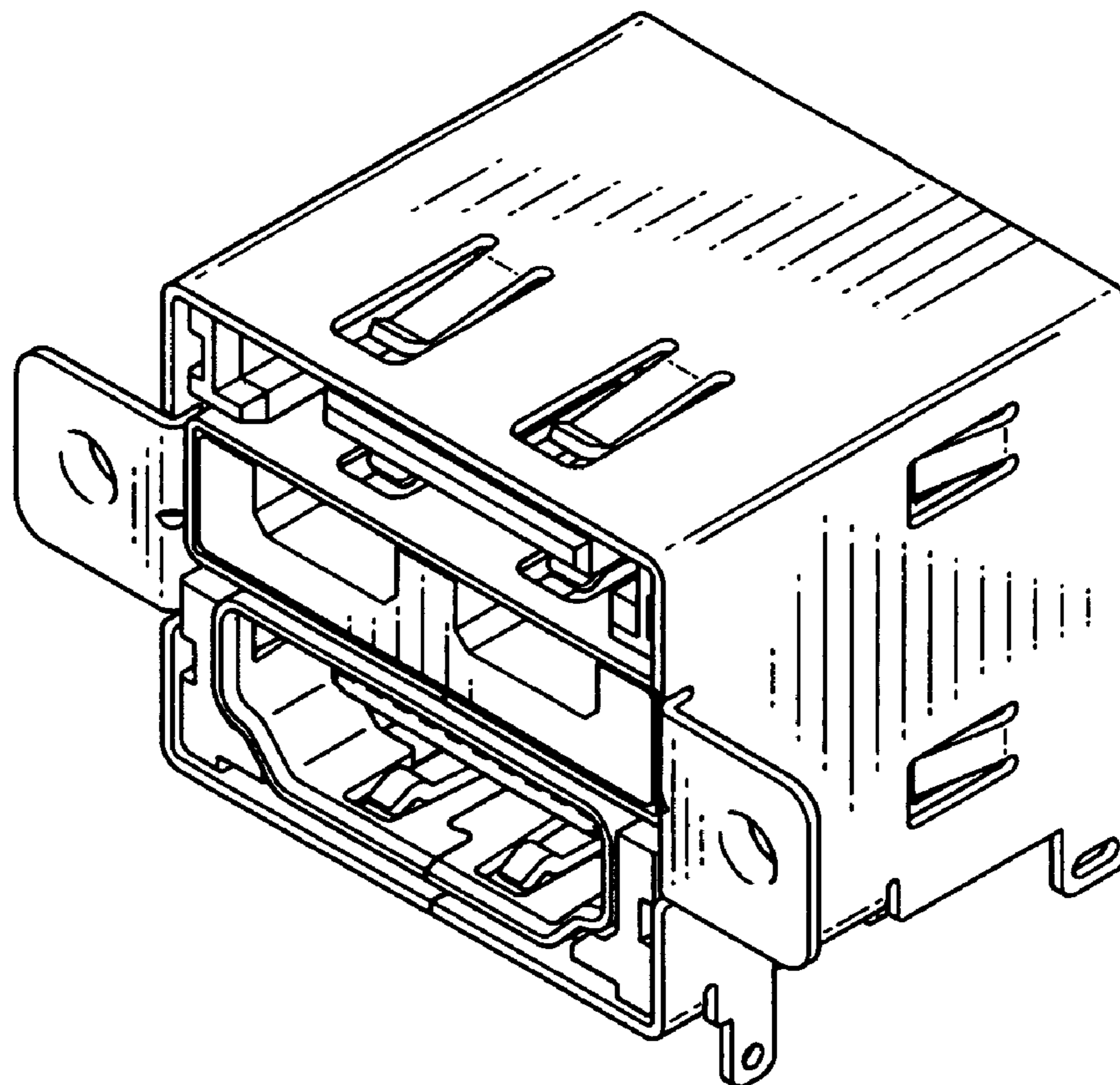


Fig. 1

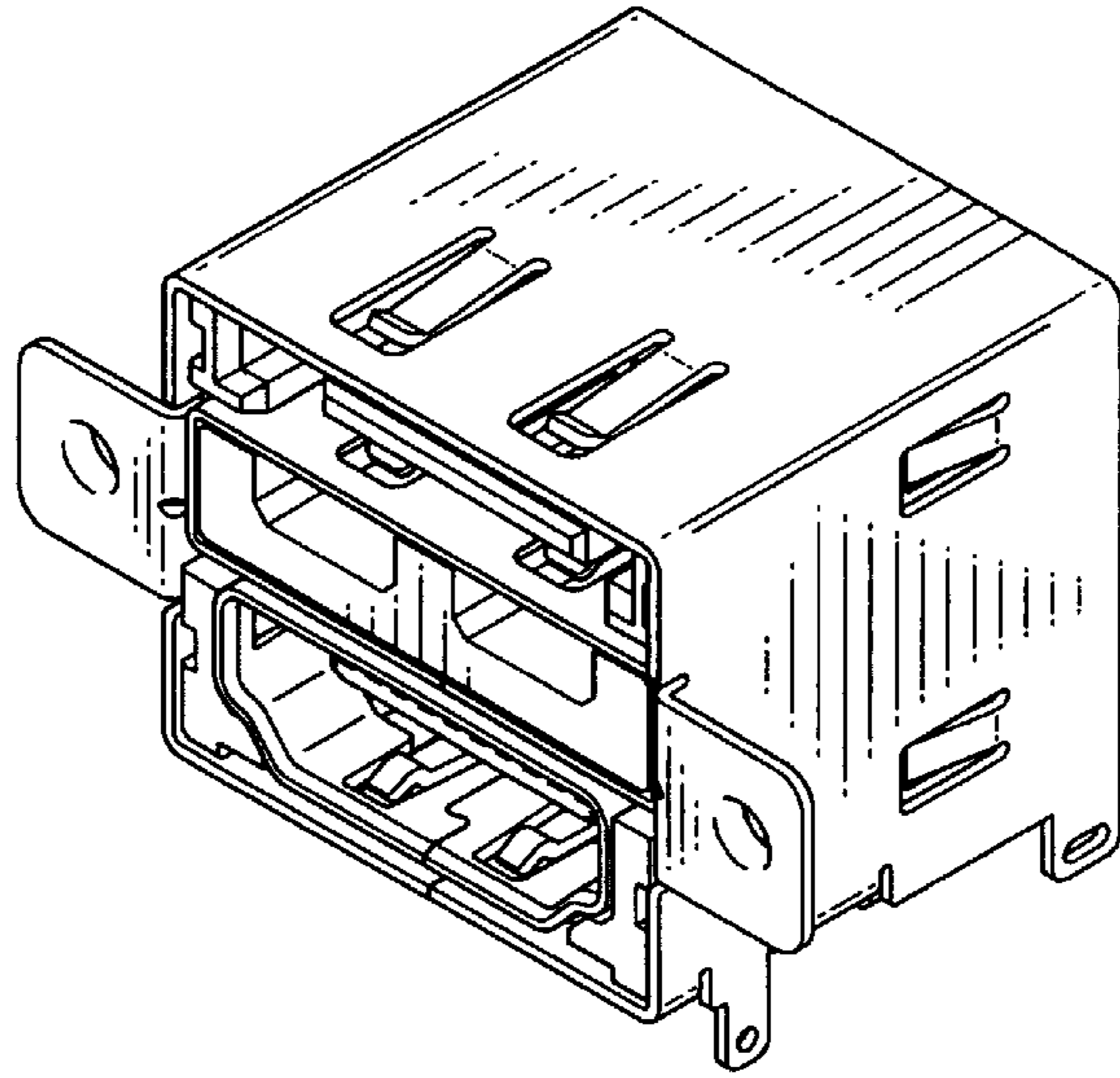


Fig. 2

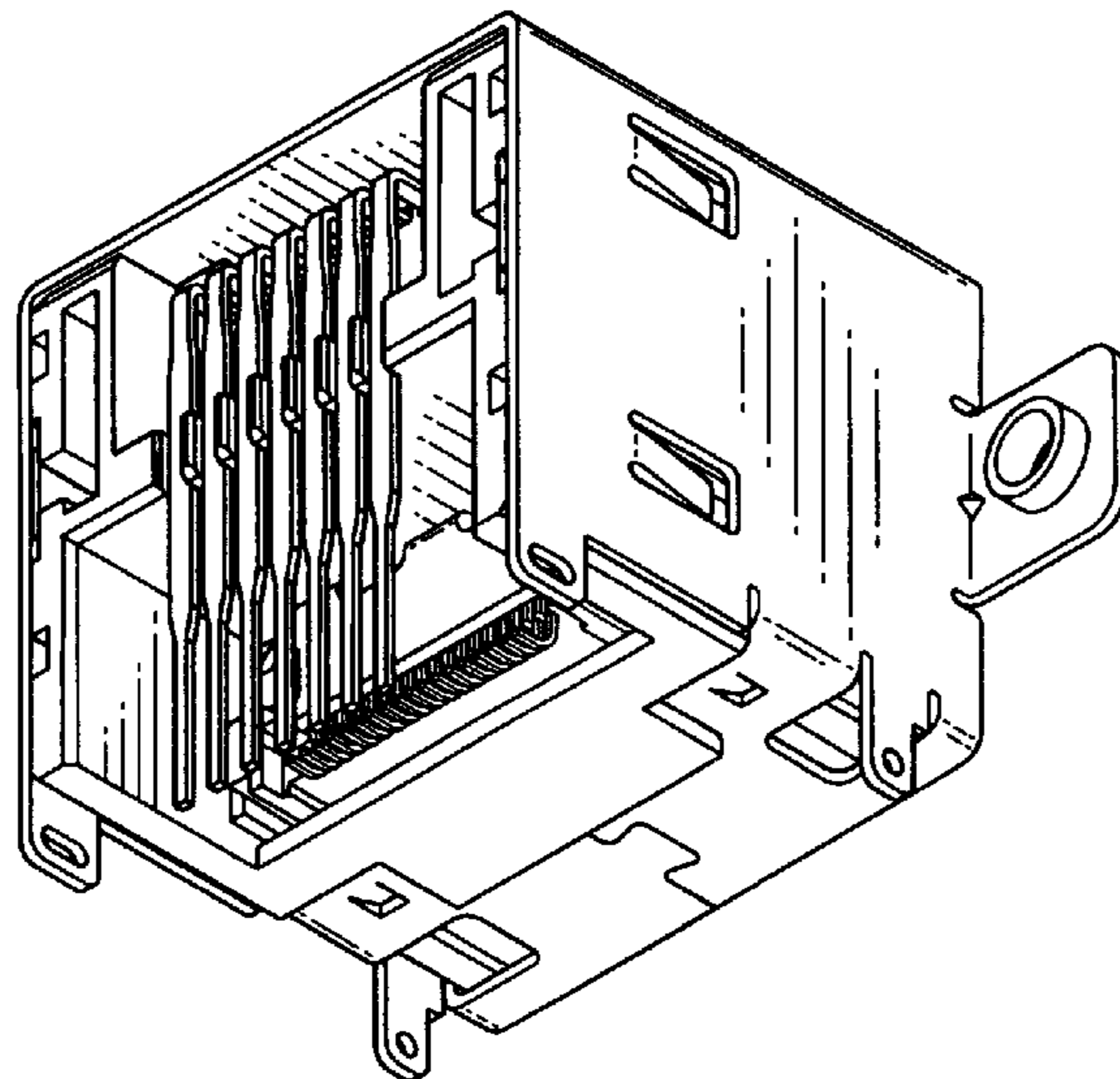


Fig. 3

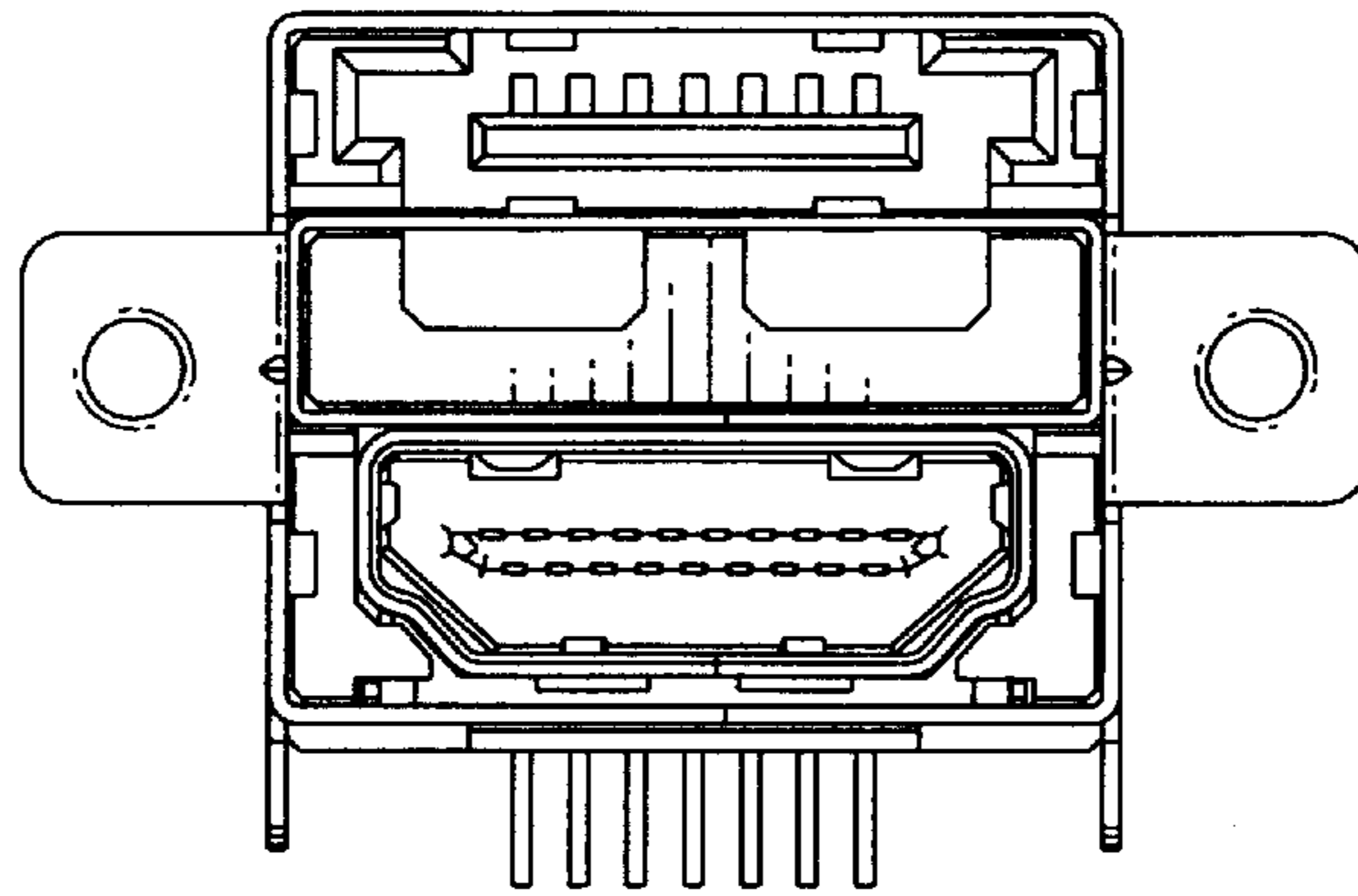


Fig. 4

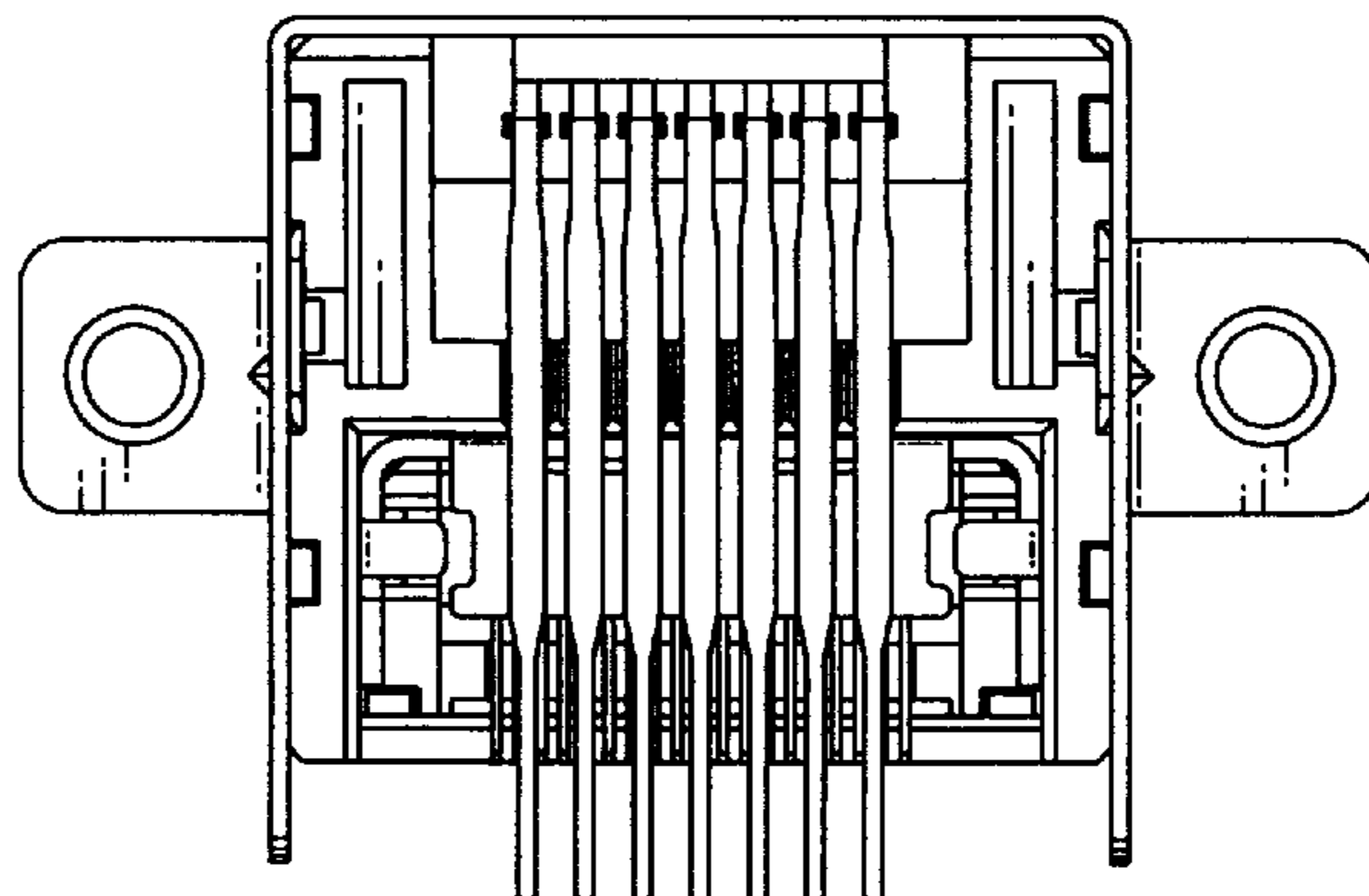


Fig. 5

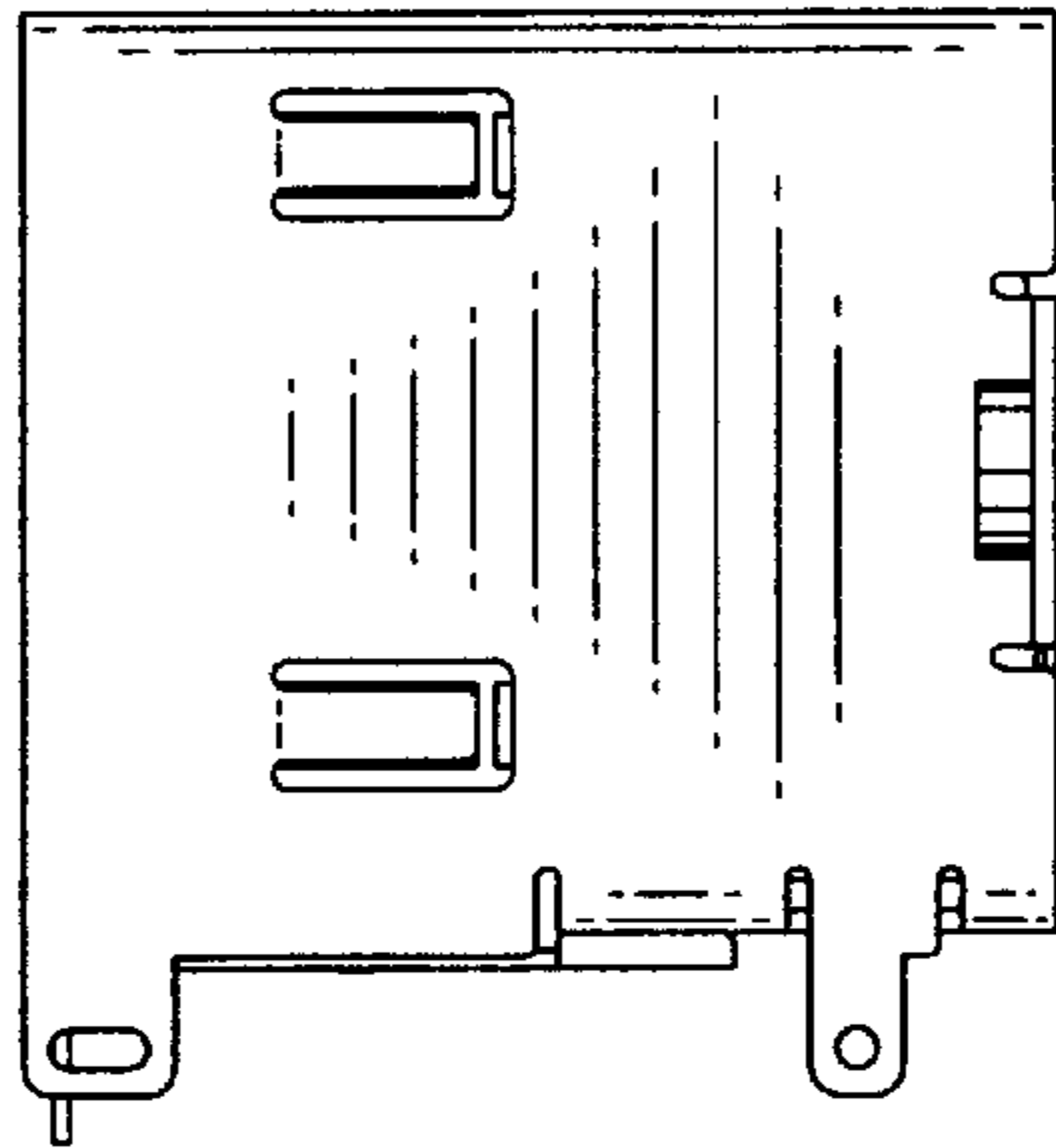


Fig. 6

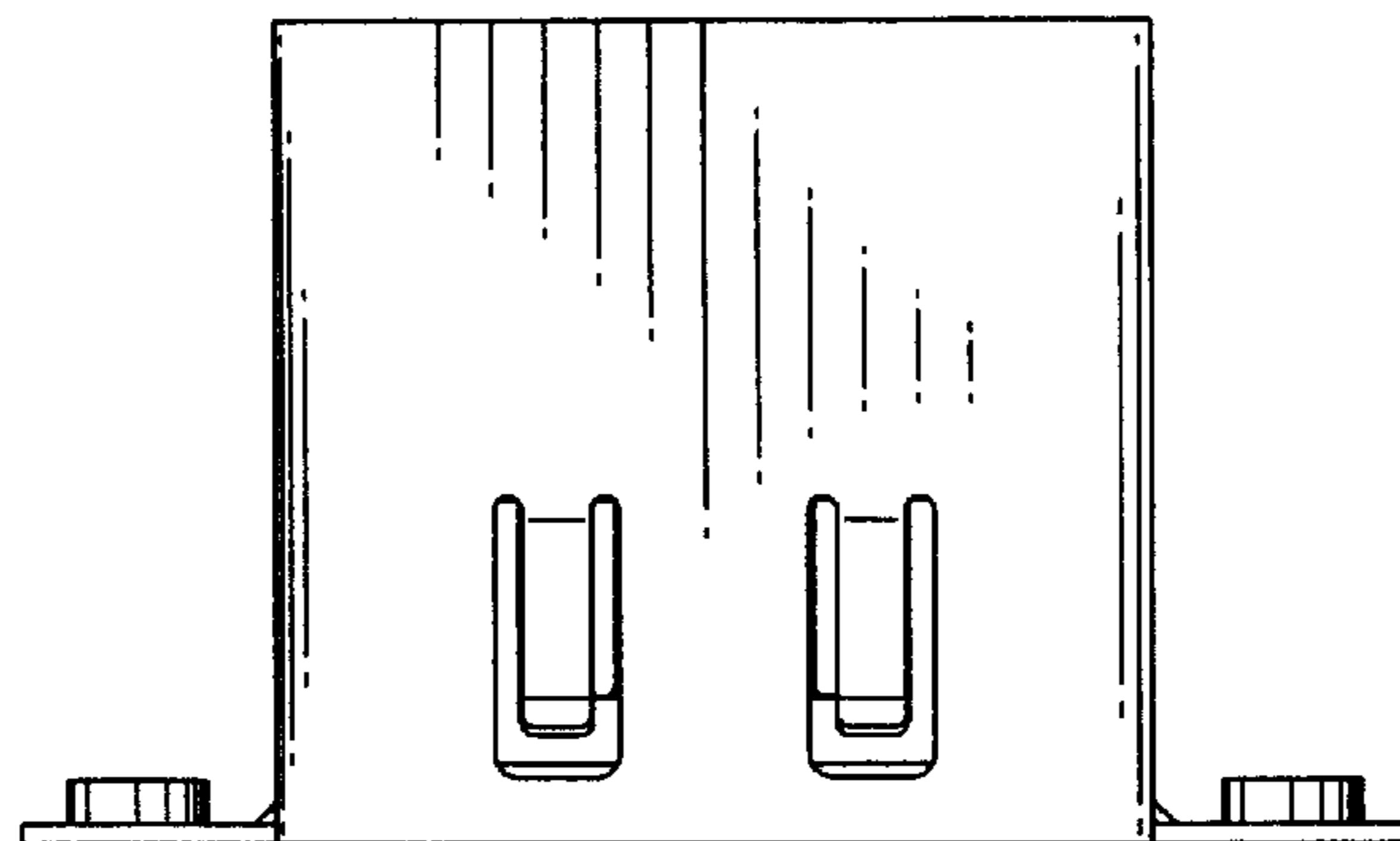


Fig. 7

