



US00D537790S

(12) **United States Design Patent**
Chen

(10) **Patent No.:** **US D537,790 S**

(45) **Date of Patent:** **** Mar. 6, 2007**

(54) **ELECTRICAL CONNECTOR**

(75) Inventor: **Chien-Chiu Chen**, Taipei (TW)

(73) Assignee: **Advanced Connectek Inc.**, Taipei (TW)

(**) Term: **14 Years**

(21) Appl. No.: **29/247,267**

(22) Filed: **Jun. 9, 2006**

(30) **Foreign Application Priority Data**

Dec. 16, 2005 (TW) 94307726

(51) **LOC (8) Cl.** **13-03**

(52) **U.S. Cl.** **D13/147**

(58) **Field of Classification Search** D13/123,
D13/133, 146-147, 154, 184, 199; 439/79,
439/108, 278, 374, 377, 660, 607-610, 680,
439/682, 883, 891, 894

See application file for complete search history.

(56) **References Cited**

U.S. PATENT DOCUMENTS

5,268,982 A * 12/1993 Schaffer et al. 385/86
D377,007 S * 12/1996 Tan et al. D13/147

D380,196 S * 6/1997 Aramaki D13/147
5,975,954 A * 11/1999 Wu et al. 439/607
D425,027 S * 5/2000 Nishio et al. D13/147
D434,382 S * 11/2000 Shimojyo D13/147
D449,821 S * 10/2001 Shimojyo D13/147
D465,767 S * 11/2002 Zhu et al. D13/147
D522,968 S * 6/2006 Hu et al. D13/147
D524,743 S * 7/2006 Lai D13/147

* cited by examiner

Primary Examiner—Daniel Bui

(74) *Attorney, Agent, or Firm*—Pai Patent & Trademark Law Firm; Chao-Chang David Pai

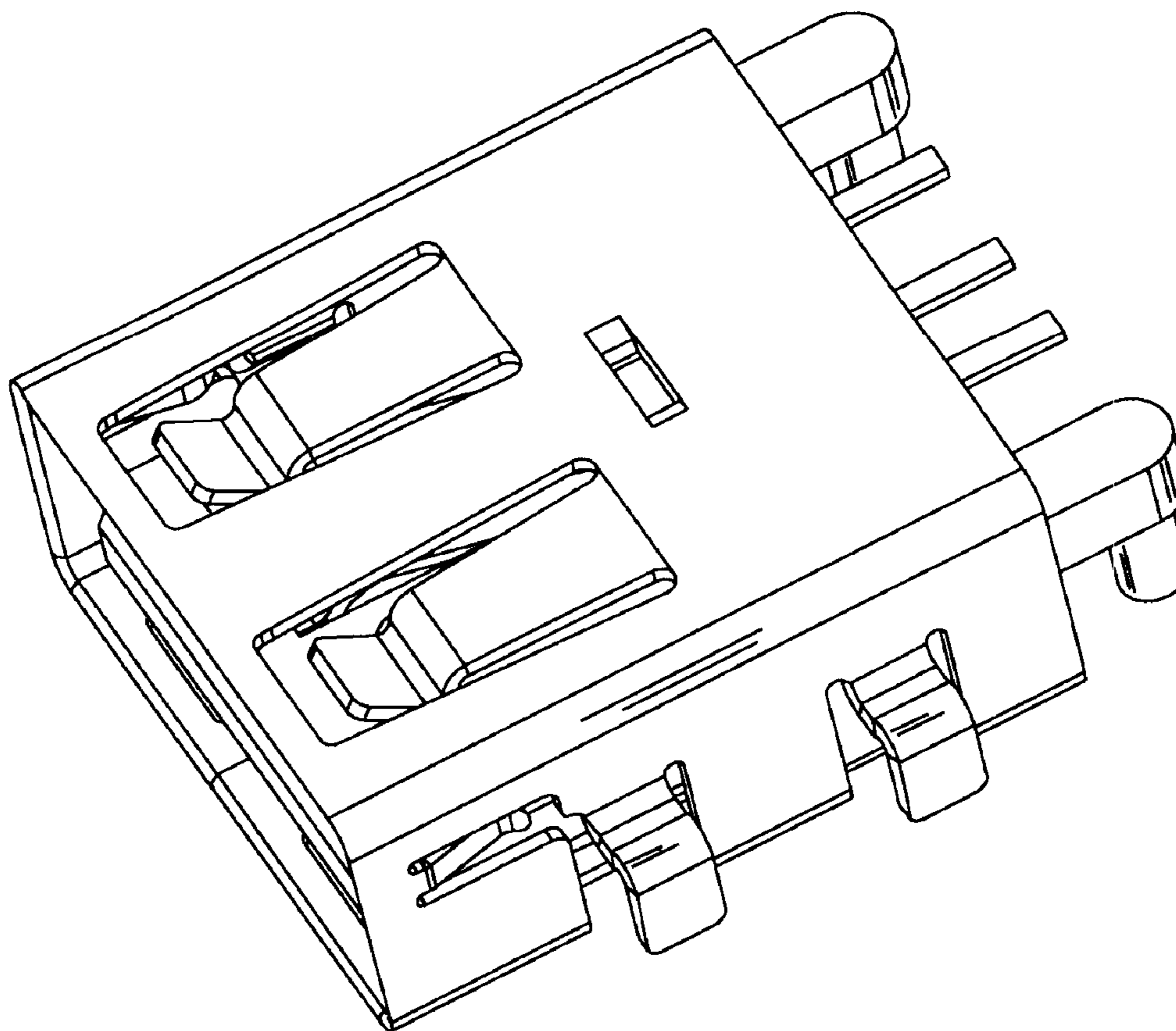
(57) **CLAIM**

The ornamental design for an electrical connector, as shown.

DESCRIPTION

FIG. 1 is a perspective view of an electrical connector, showing my new design;
FIG. 2 is a front elevation view thereof;
FIG. 3 is a rear elevation view thereof;
FIG. 4 is a top plan view thereof on a reduced scale;
FIG. 5 is a bottom plan view thereof on a reduced scale;
FIG. 6 is a left elevation view thereof; and,
FIG. 7 is a right elevation view thereof.

1 Claim, 4 Drawing Sheets



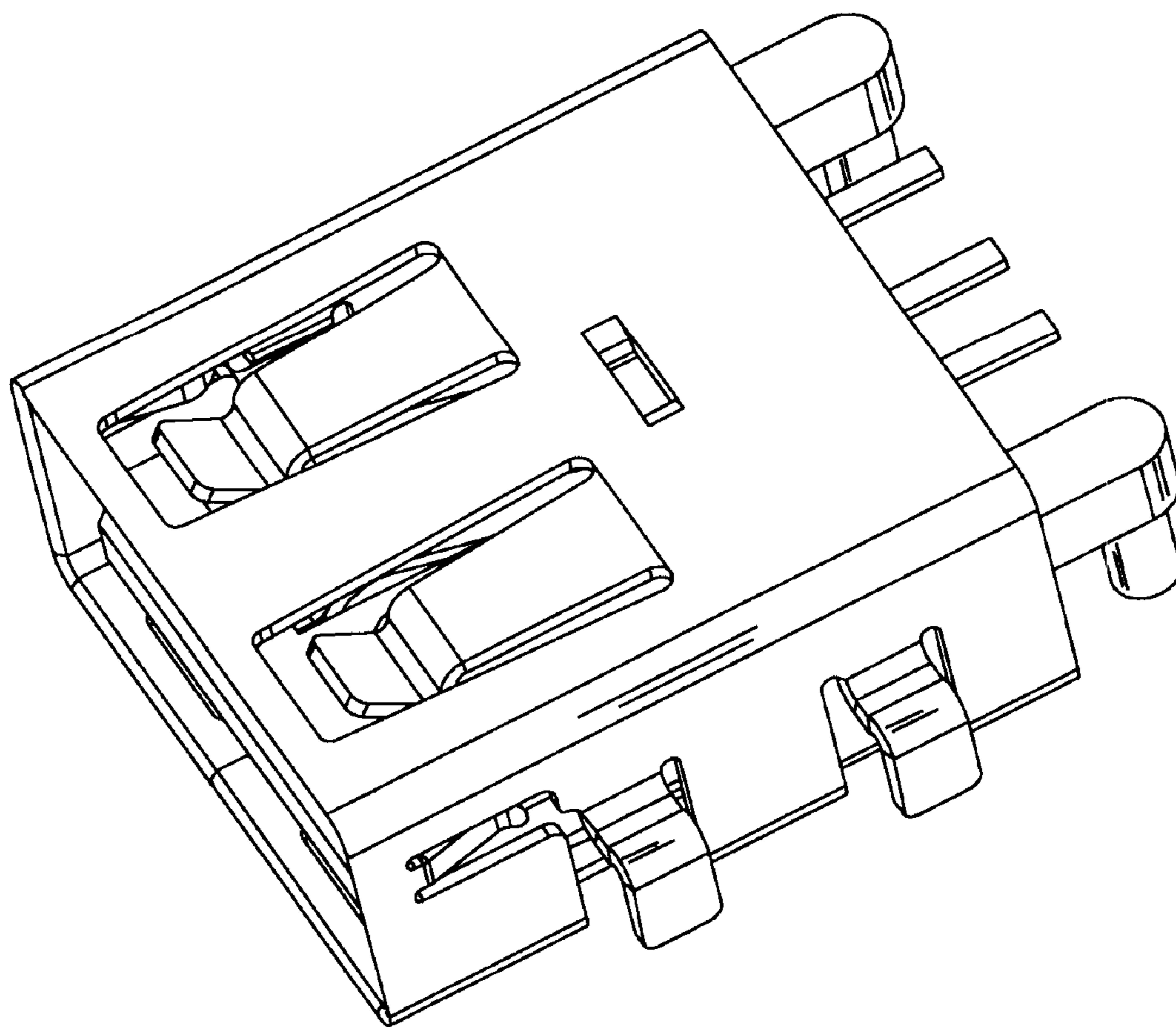


FIG.1

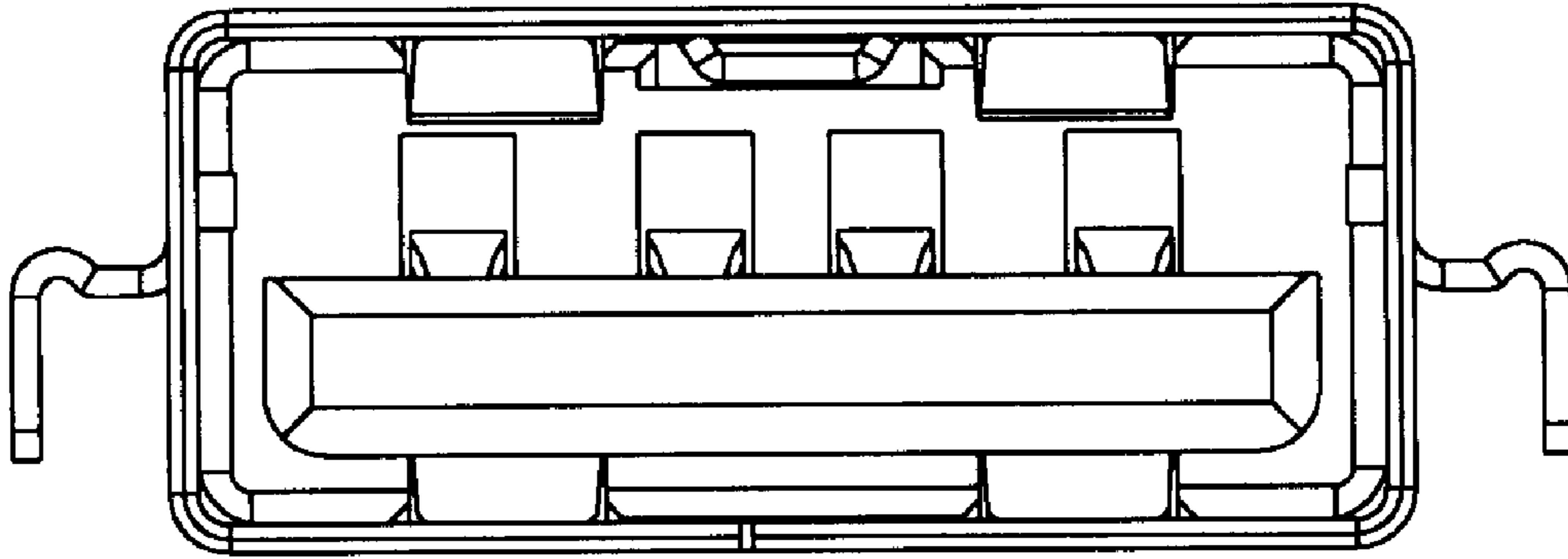


FIG. 2

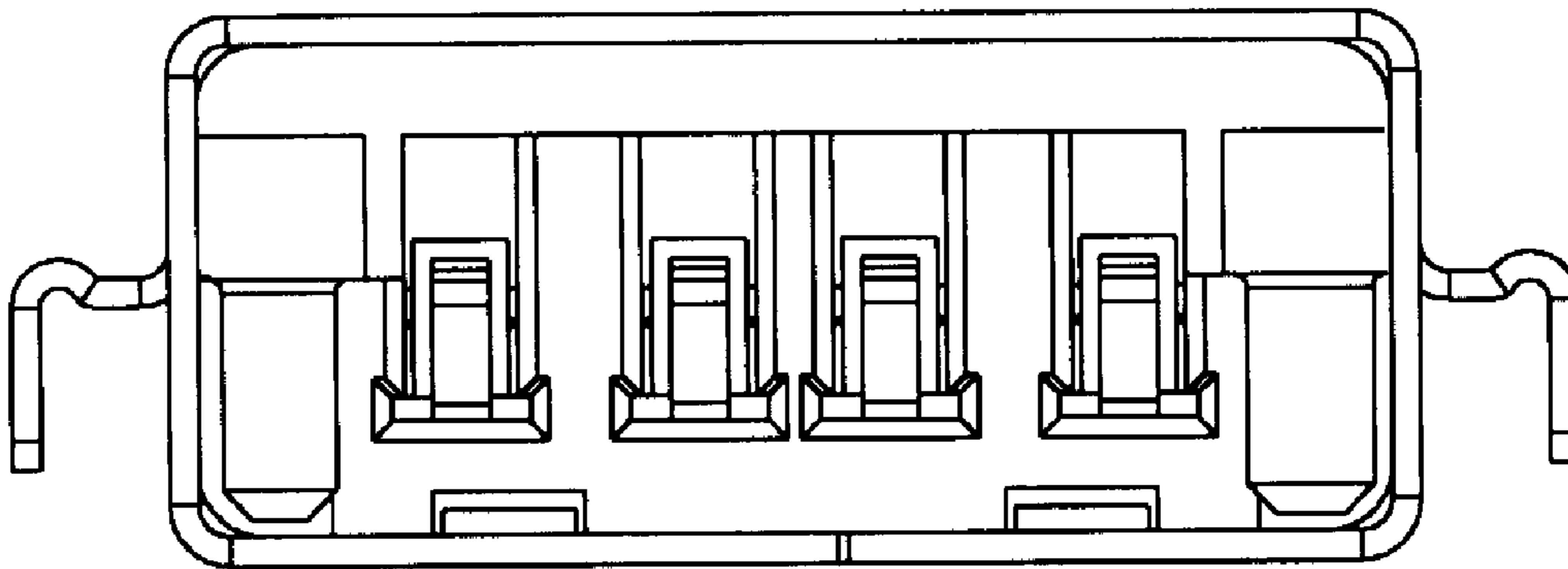


FIG. 3

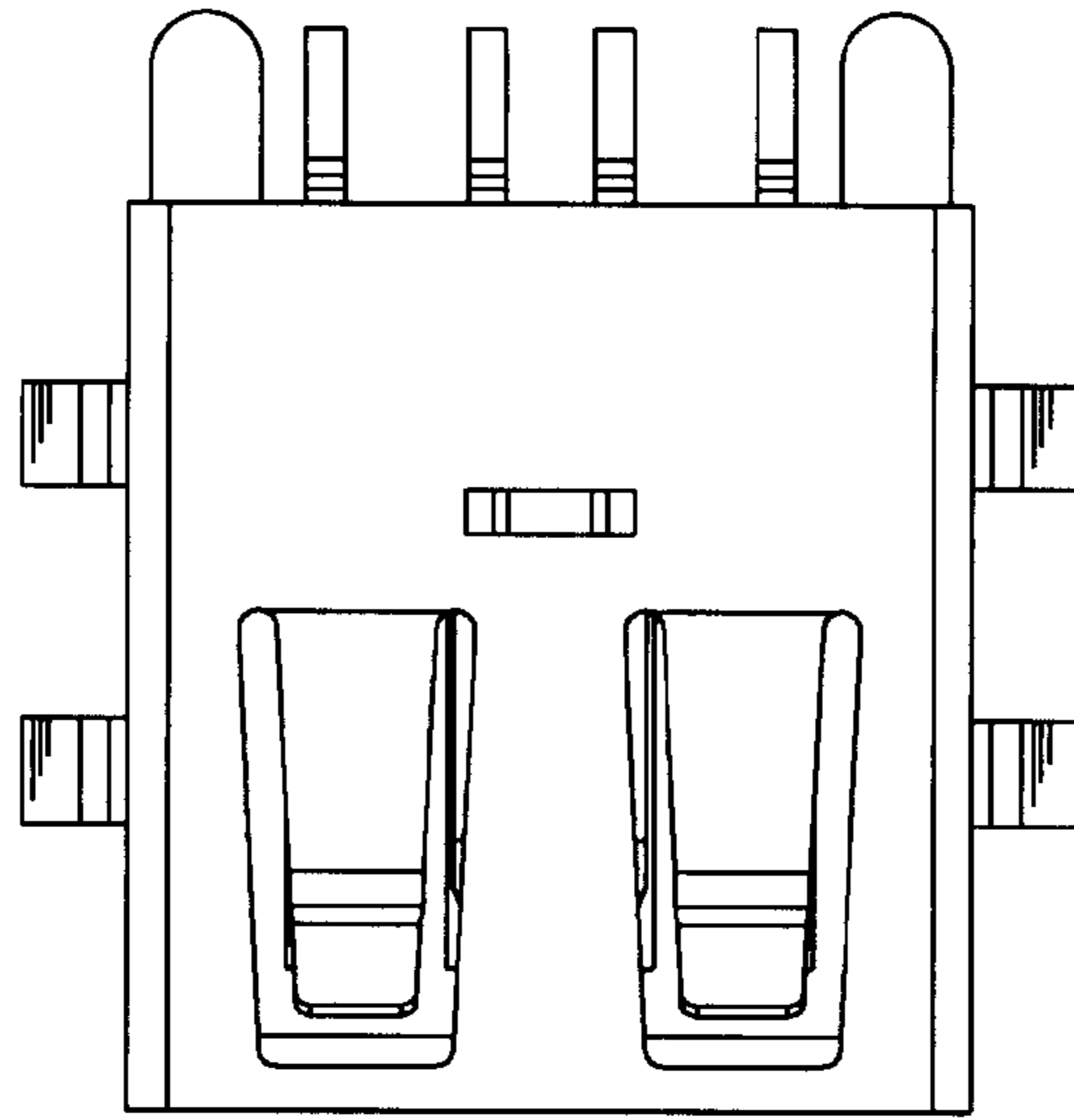


FIG.4

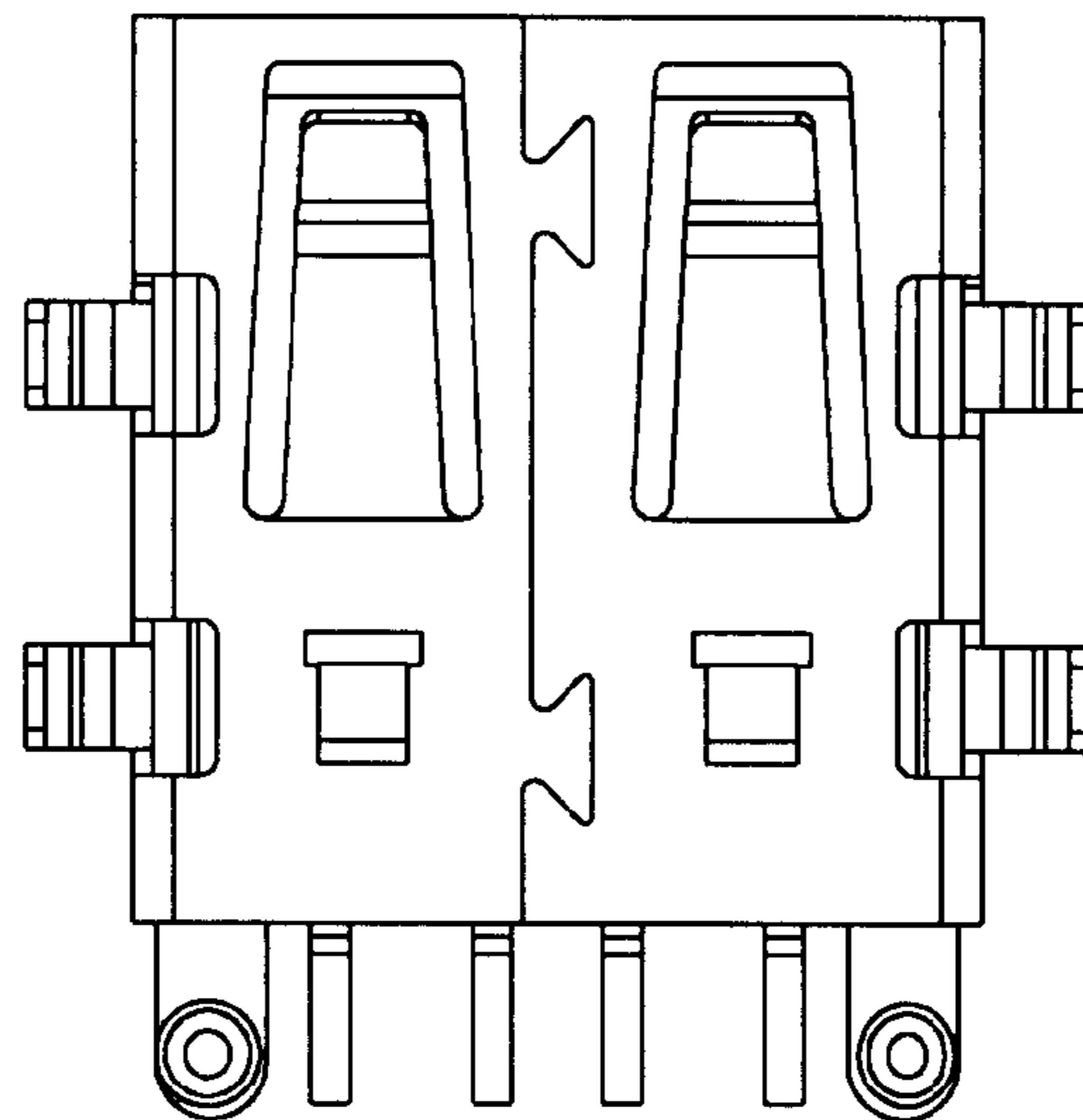


FIG.5

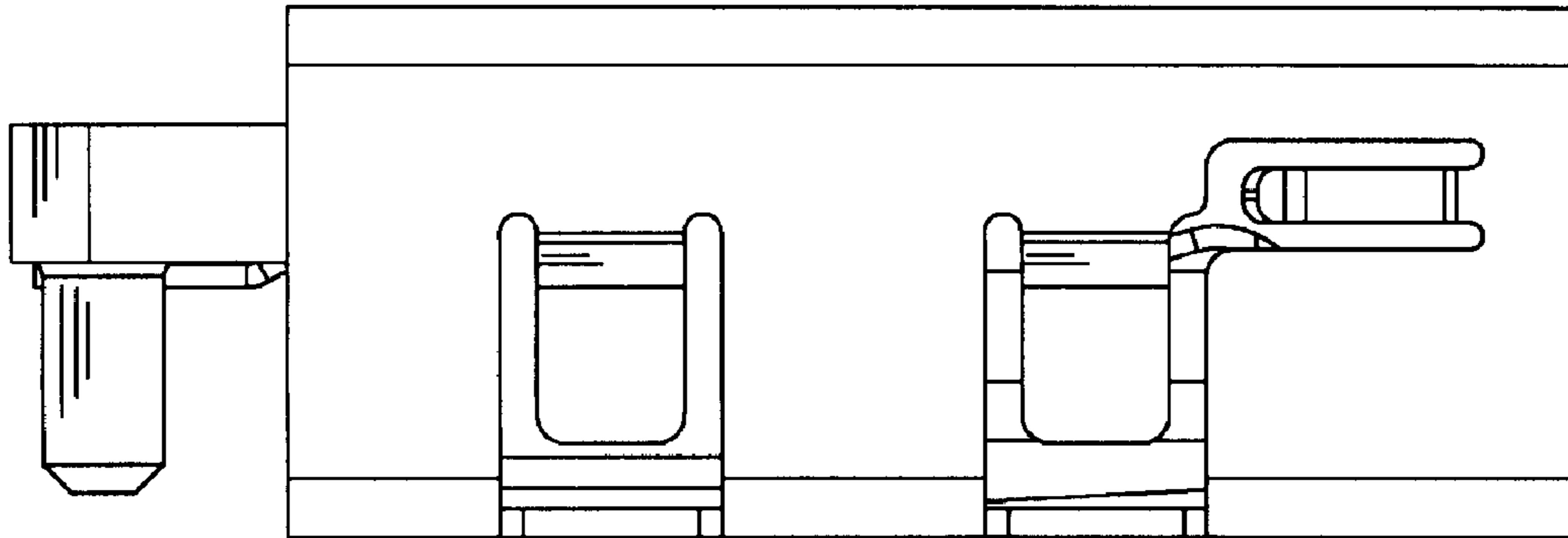


FIG. 6

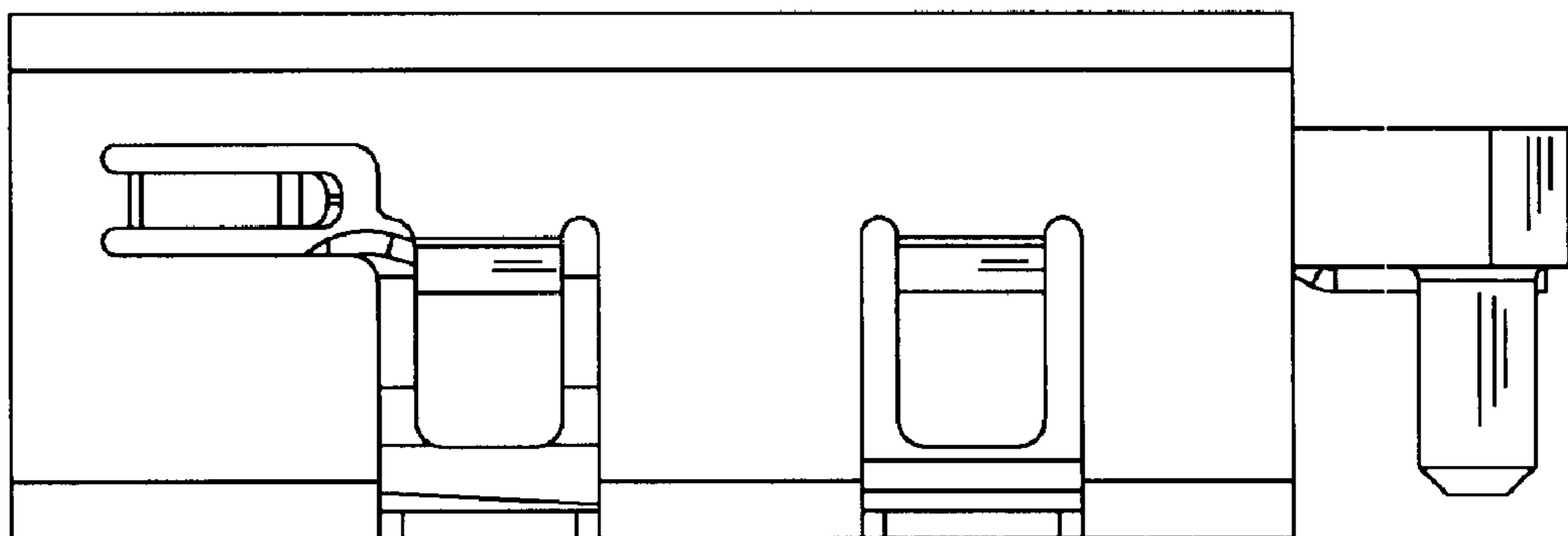


FIG. 7