



US00D537789S

(12) **United States Design Patent**
Wan et al.

(10) **Patent No.:** **US D537,789 S**

(45) **Date of Patent:** **** Mar. 6, 2007**

(54) **ELECTRICAL CONNECTOR**

(75) Inventors: **Feng Wan**, Kunshan (CN); **Jin-Kui Hu**, Kunshan (CN); **Guo-Hua Zhang**, Kunshan (CN)

(73) Assignee: **Hon Hai Precision Ind. Co., Ltd.**, Taipei Hsien (TW)

(**) Term: **14 Years**

(21) Appl. No.: **29/245,462**

(22) Filed: **Dec. 23, 2005**

(30) **Foreign Application Priority Data**

Sep. 1, 2005 (CN) 200530088897

(51) **LOC (8) Cl.** **13-03**

(52) **U.S. Cl.** **D13/147**

(58) **Field of Classification Search** D13/123, D13/133, 146-147, 154, 184, 199; 439/79, 439/108, 278, 374, 377, 540.1, 541.5, 638, 439/607-610, 660, 680, 682, 883, 891, 894
See application file for complete search history.

(56) **References Cited**

U.S. PATENT DOCUMENTS

D378,510 S * 3/1997 Tan et al. D13/147

D406,817 S * 3/1999 Wu D13/147
D409,984 S * 5/1999 Wu D13/147
D414,464 S * 9/1999 Wu D13/146
D418,817 S * 1/2000 Wu D13/147
D425,867 S * 5/2000 Lok D13/147
D499,381 S * 12/2004 Hu et al. D13/147
D520,953 S * 5/2006 Moriwake et al. D13/147

* cited by examiner

Primary Examiner—Daniel Bui

(74) *Attorney, Agent, or Firm*—Wei Te Chung

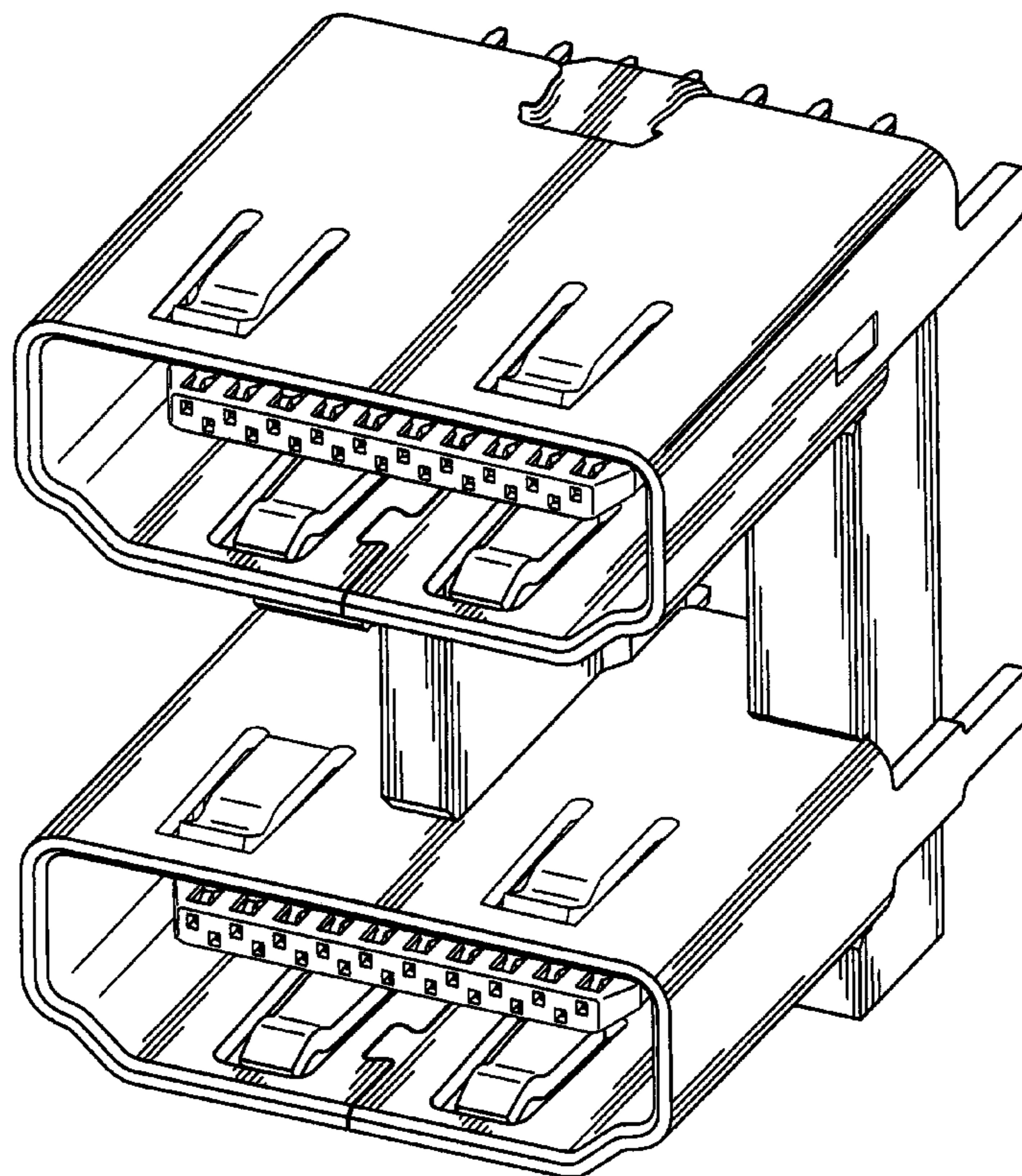
(57) **CLAIM**

The ornamental design for an electrical connector, as shown.

DESCRIPTION

FIG. 1 is a front, top and right side perspective view of an electrical connector showing our new design;
FIG. 2 is a front elevational view of FIG. 1;
FIG. 3 is a rear elevational view of FIG. 1;
FIG. 4 is a left side elevational view of FIG. 1;
FIG. 5 is a right side elevational view of FIG. 1;
FIG. 6 is a top plan view of FIG. 1; and,
FIG. 7 is a bottom plan view of FIG. 1.

1 Claim, 7 Drawing Sheets



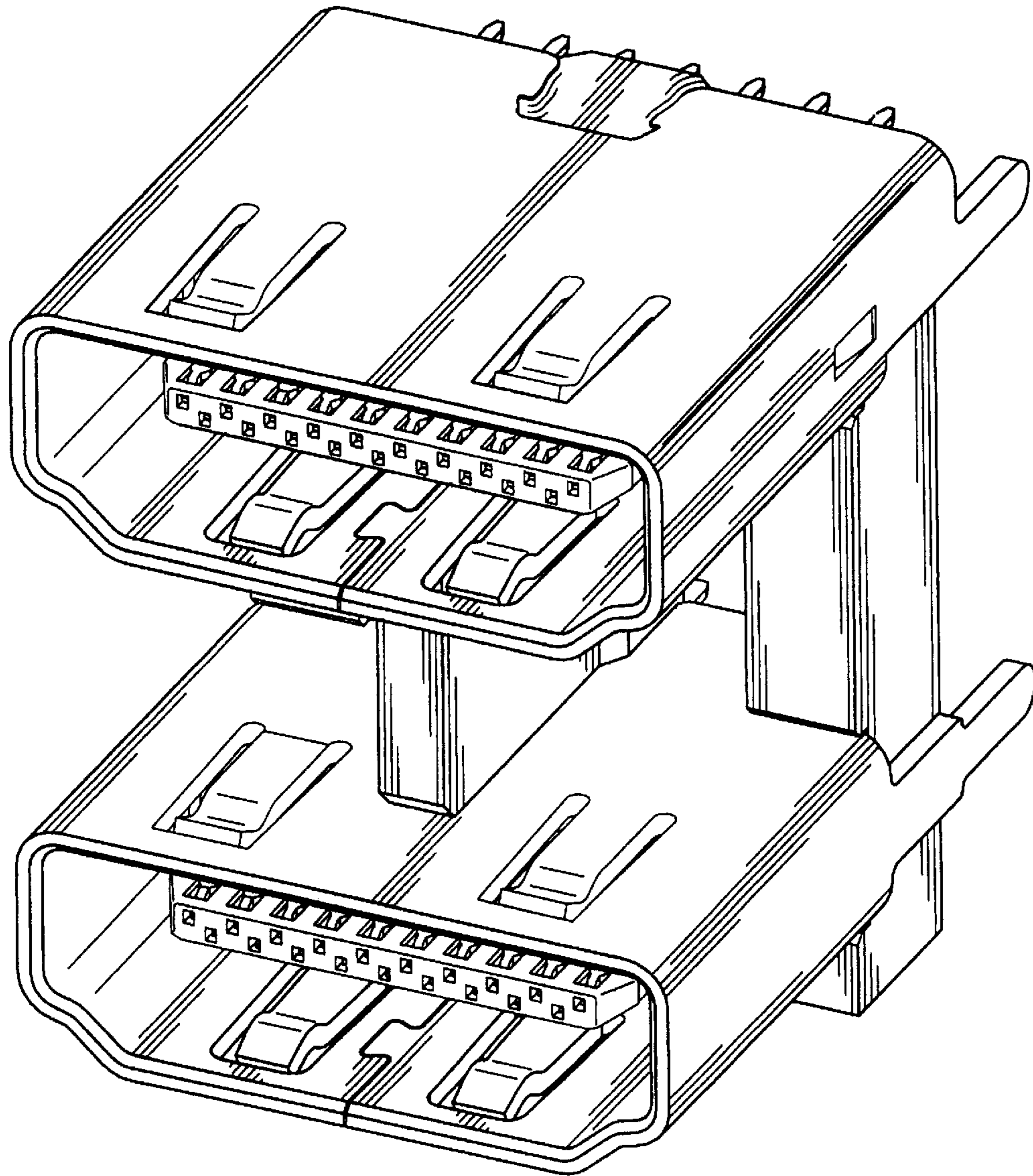


FIG. 1

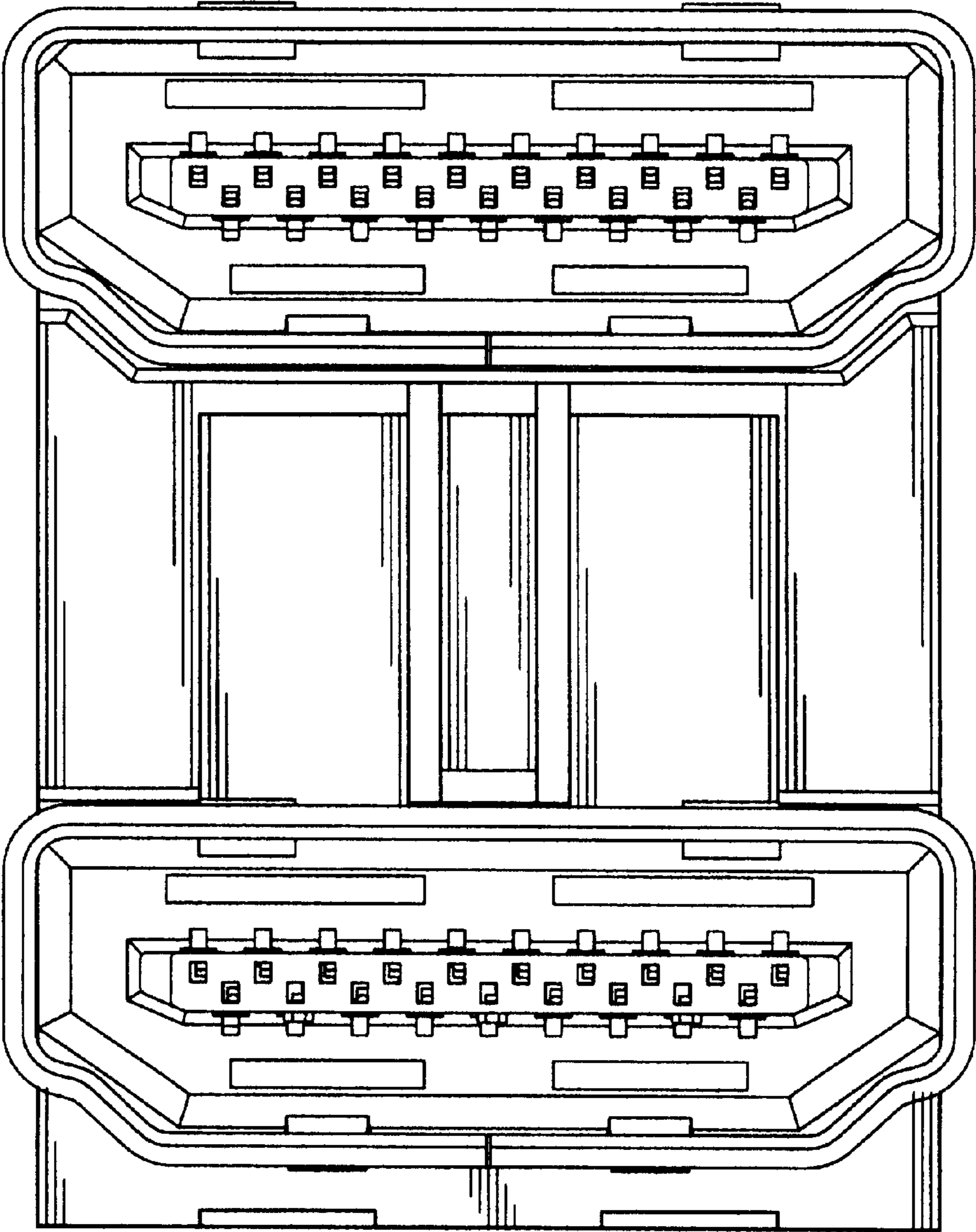


FIG. 2

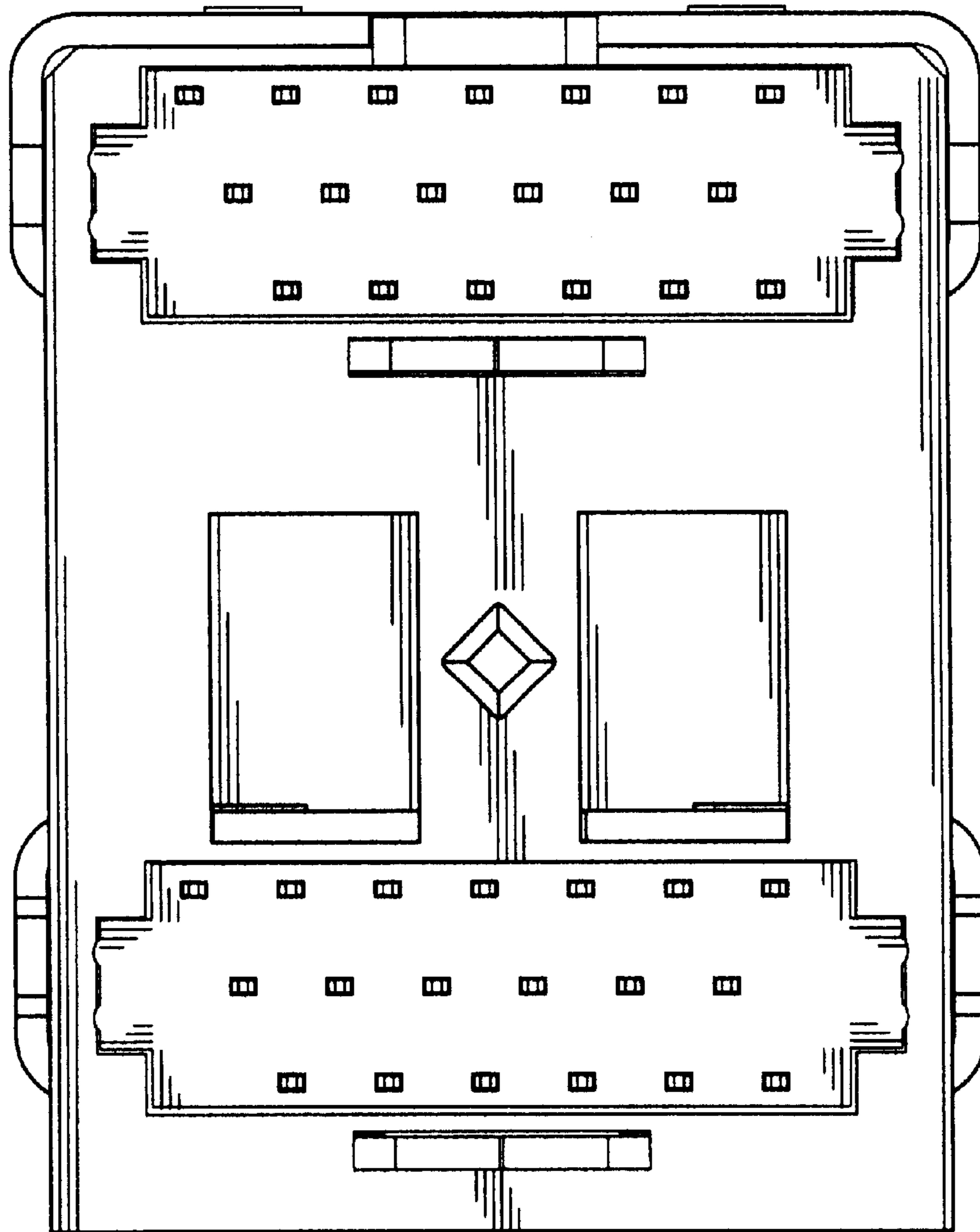


FIG. 3

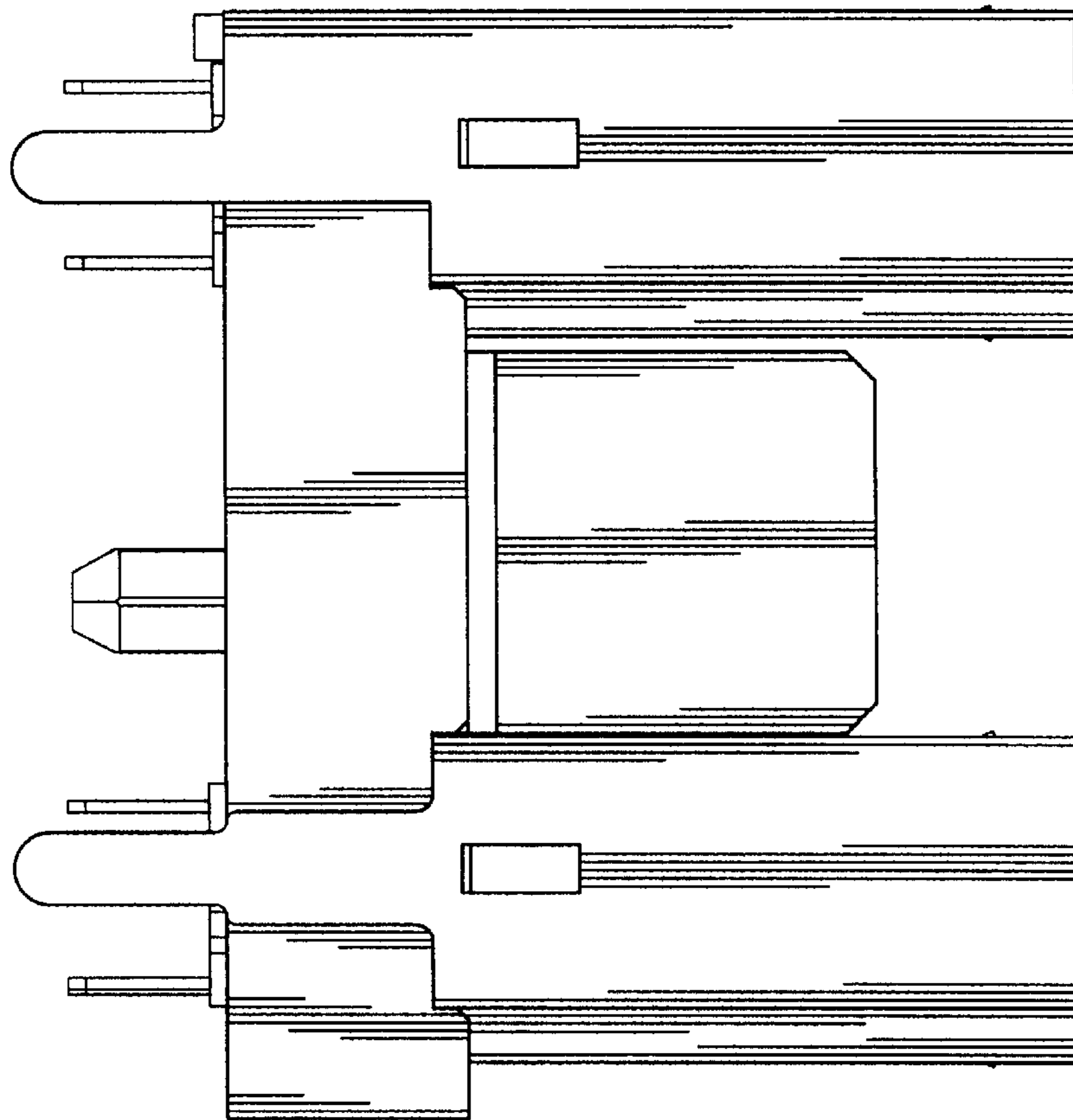


FIG. 4

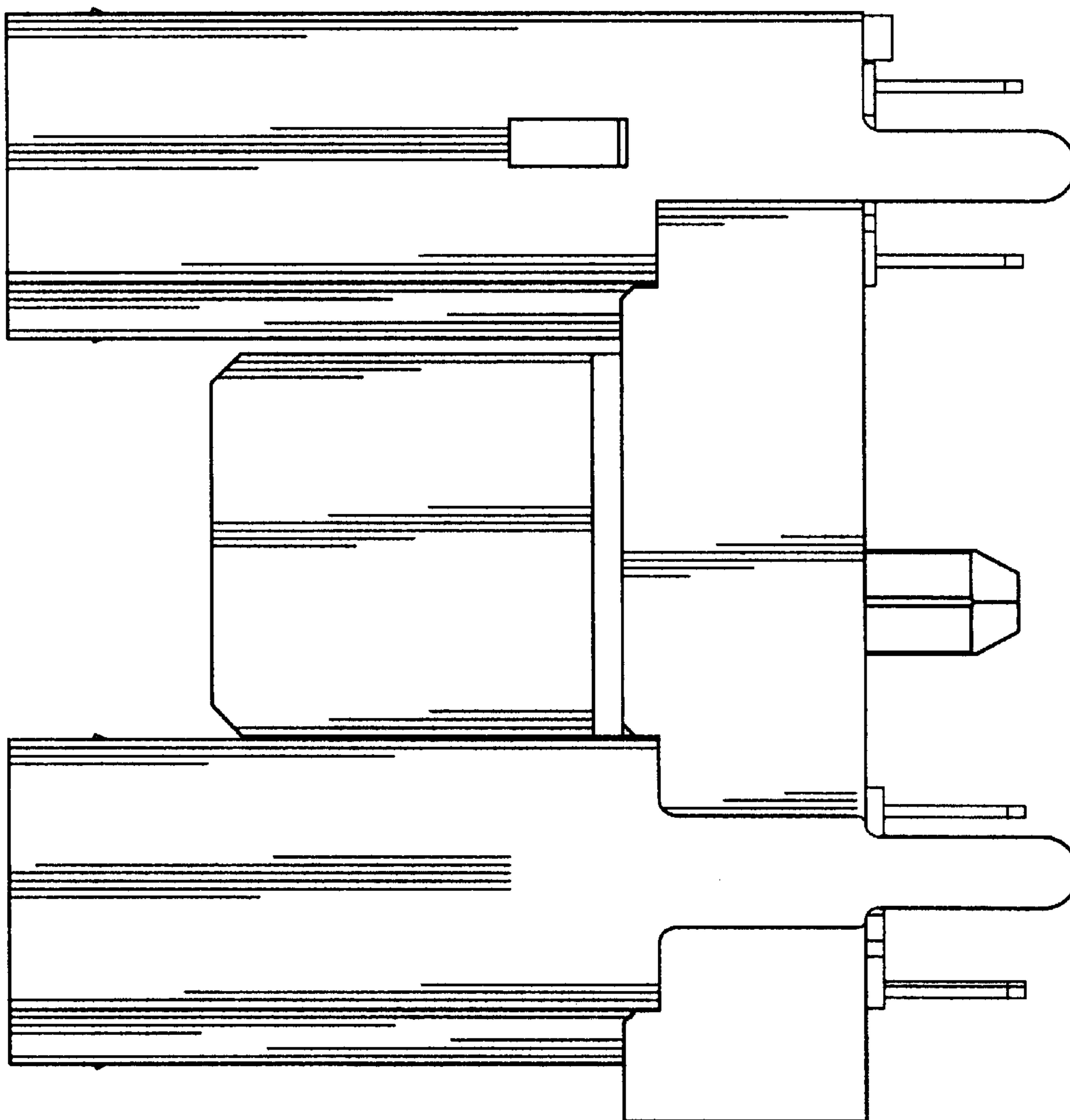


FIG. 5

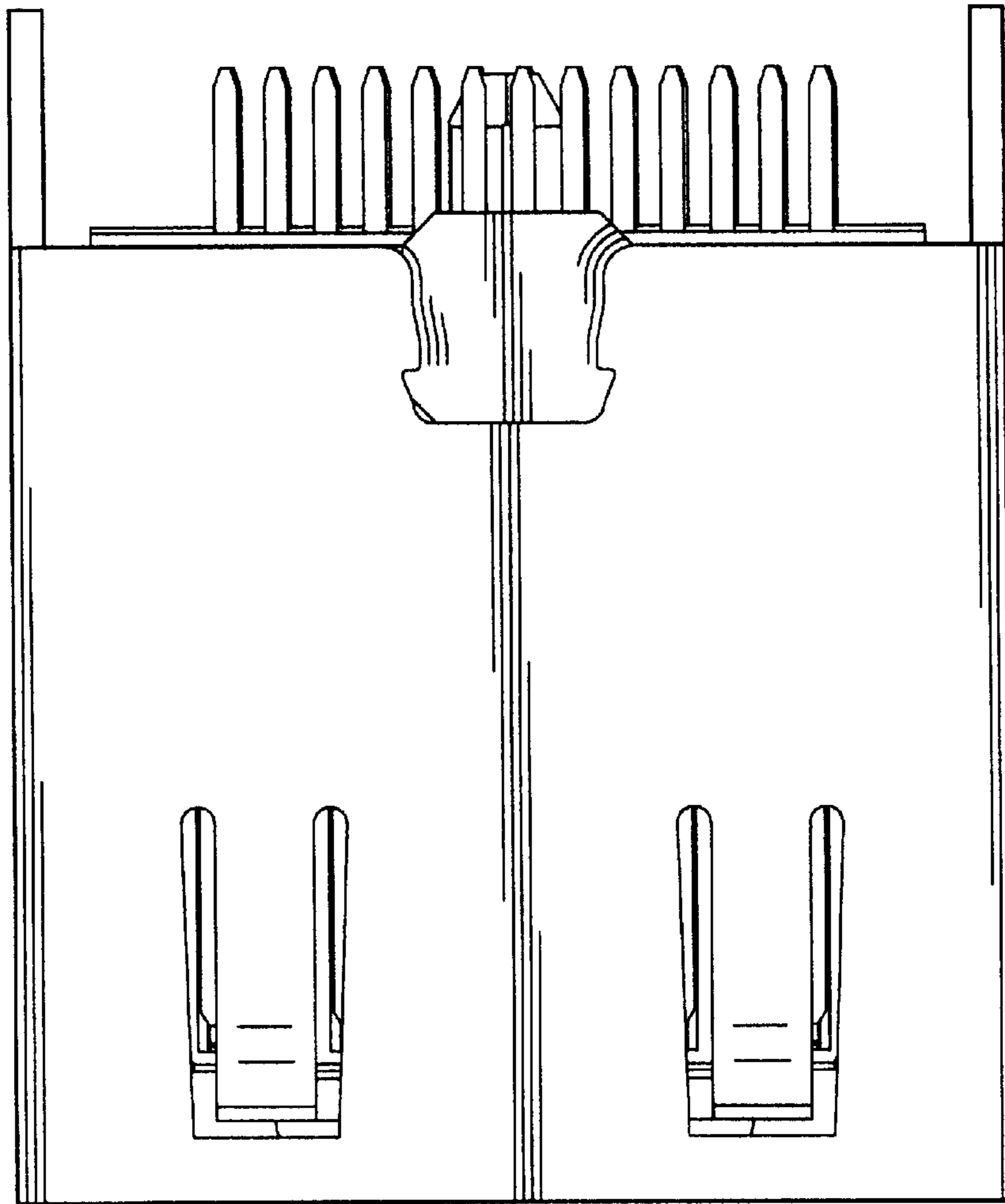


FIG. 6

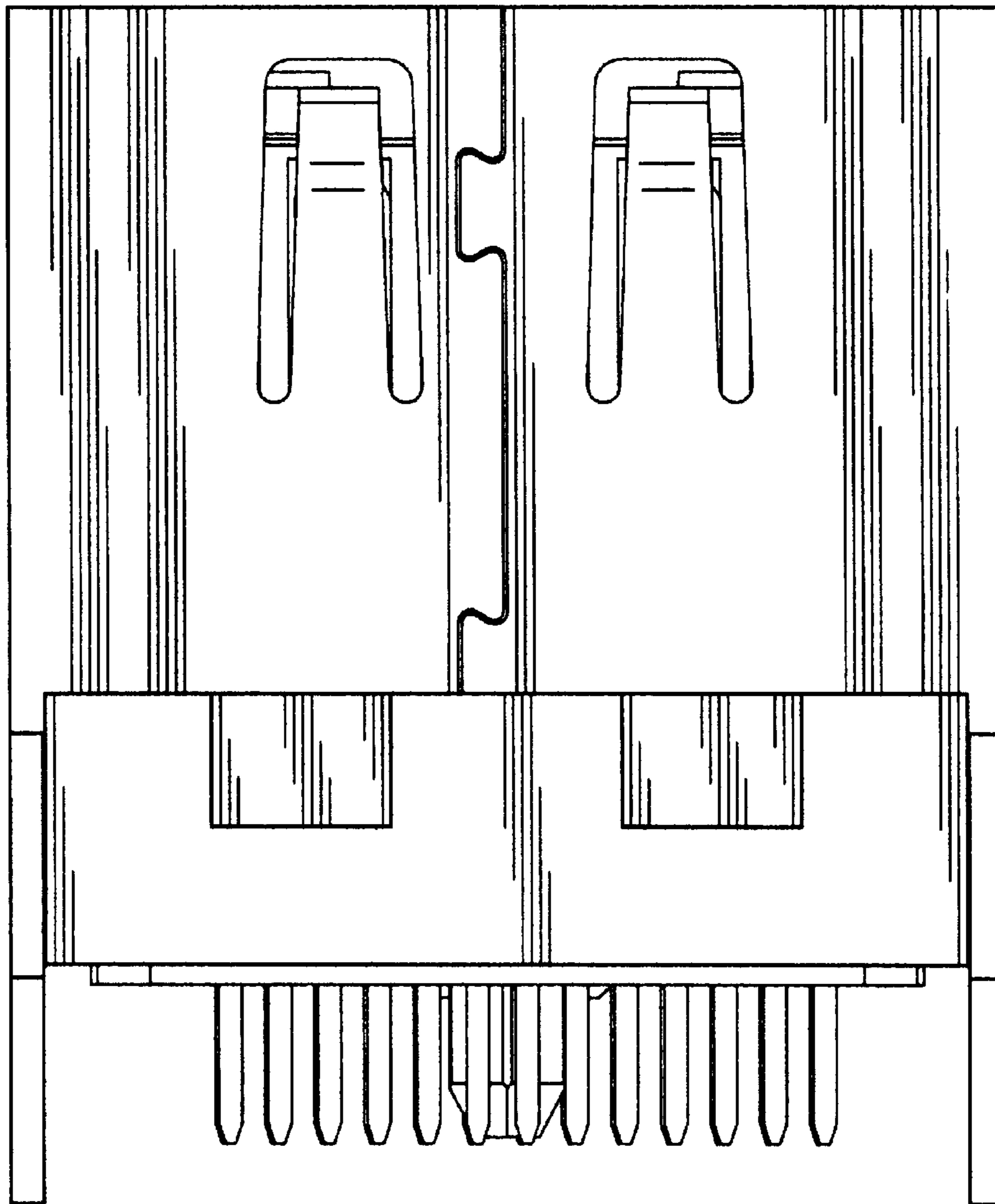


FIG. 7