



US00D537787S

(12) **United States Design Patent**
Hayashi

(10) **Patent No.:** **US D537,787 S**

(45) **Date of Patent:** **** Mar. 6, 2007**

(54) **ELECTRICAL CONNECTOR**

(75) Inventor: **Toshiaki Hayashi**, Aichi (JP)

(73) Assignee: **Tyco Electronics AMP K.K.**,
Kanagawa-Ken (JP)

(**) Term: **14 Years**

(21) Appl. No.: **29/242,134**

(22) Filed: **Nov. 4, 2005**

(30) **Foreign Application Priority Data**

May 6, 2005 (JP) 2005-013119

(51) **LOC (8) Cl.** **13-03**

(52) **U.S. Cl.** **D13/147**

(58) **Field of Classification Search** D13/123,
D13/133, 146-147, 154, 184, 199; 439/79,
439/108, 278, 374, 377, 540.1, 541.5, 660,
439/607-610, 682, 884, 894

See application file for complete search history.

(56) **References Cited**

U.S. PATENT DOCUMENTS

- D311,380 S * 10/1990 Kameyama et al. D13/147
- D311,517 S * 10/1990 Kameyama et al. D13/147
- D314,755 S * 2/1991 Endo et al. D13/147
- D314,756 S * 2/1991 Endo et al. D13/147
- D325,372 S * 4/1992 Taguchi et al. D13/147
- D410,895 S * 6/1999 Bandura et al. D13/147

- D460,048 S * 7/2002 Watanabe D13/147
- D501,827 S * 2/2005 Konno et al. D13/147
- D517,486 S * 3/2006 Riku D13/147

FOREIGN PATENT DOCUMENTS

- JP 2002231371 8/2002
- JP D1188295 10/2003
- JP 2004349024 12/2004

* cited by examiner

Primary Examiner—Daniel Bui

(74) *Attorney, Agent, or Firm*—Barley Snyder LLC

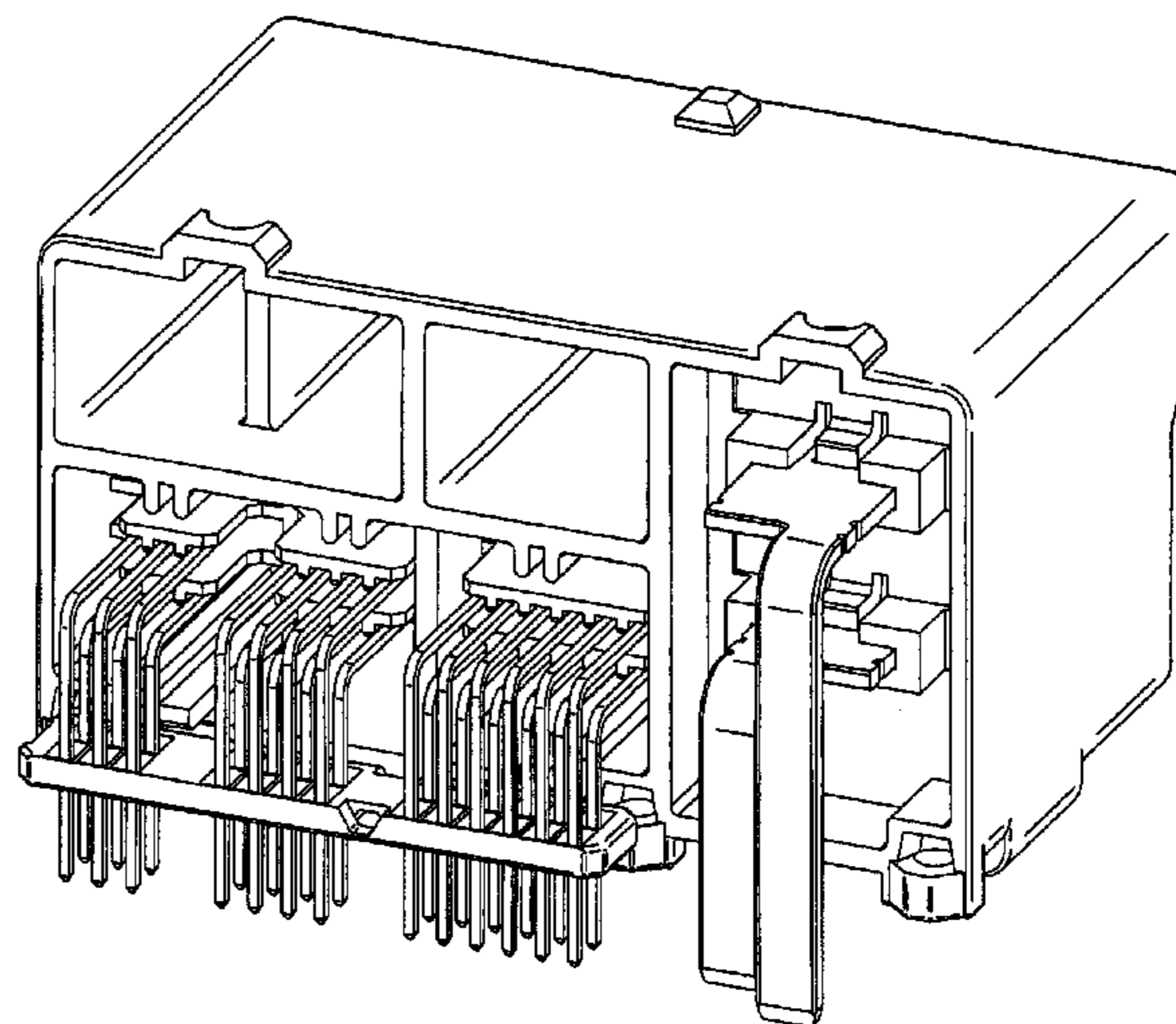
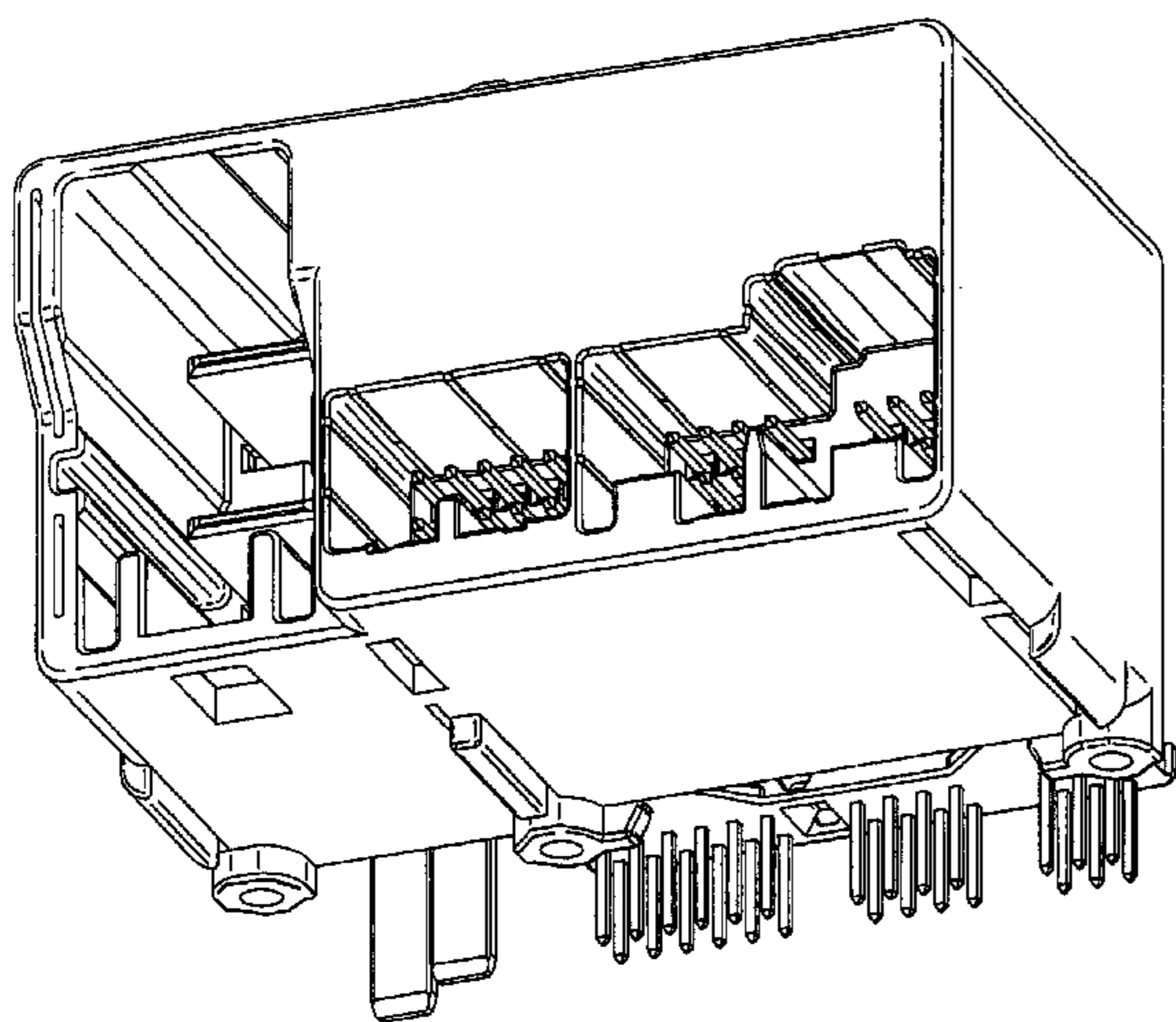
(57) **CLAIM**

The ornamental design for an electrical connector, as shown and described.

DESCRIPTION

FIG. 1 is a front elevation view of an electrical connector, showing my new design;
 FIG. 2 is a top plan view thereof;
 FIG. 3 is a bottom plan view thereof;
 FIG. 4 is a left-side elevation view thereof;
 FIG. 5 is a right-side elevation view thereof;
 FIG. 6 is a rear elevation view thereof;
 FIG. 7 is a top, front, and right side perspective view thereof;
 FIG. 8 is a bottom, front, and right side perspective view thereof; and,
 FIG. 9 is a top, rear, and left side perspective view thereof.

1 Claim, 9 Drawing Sheets



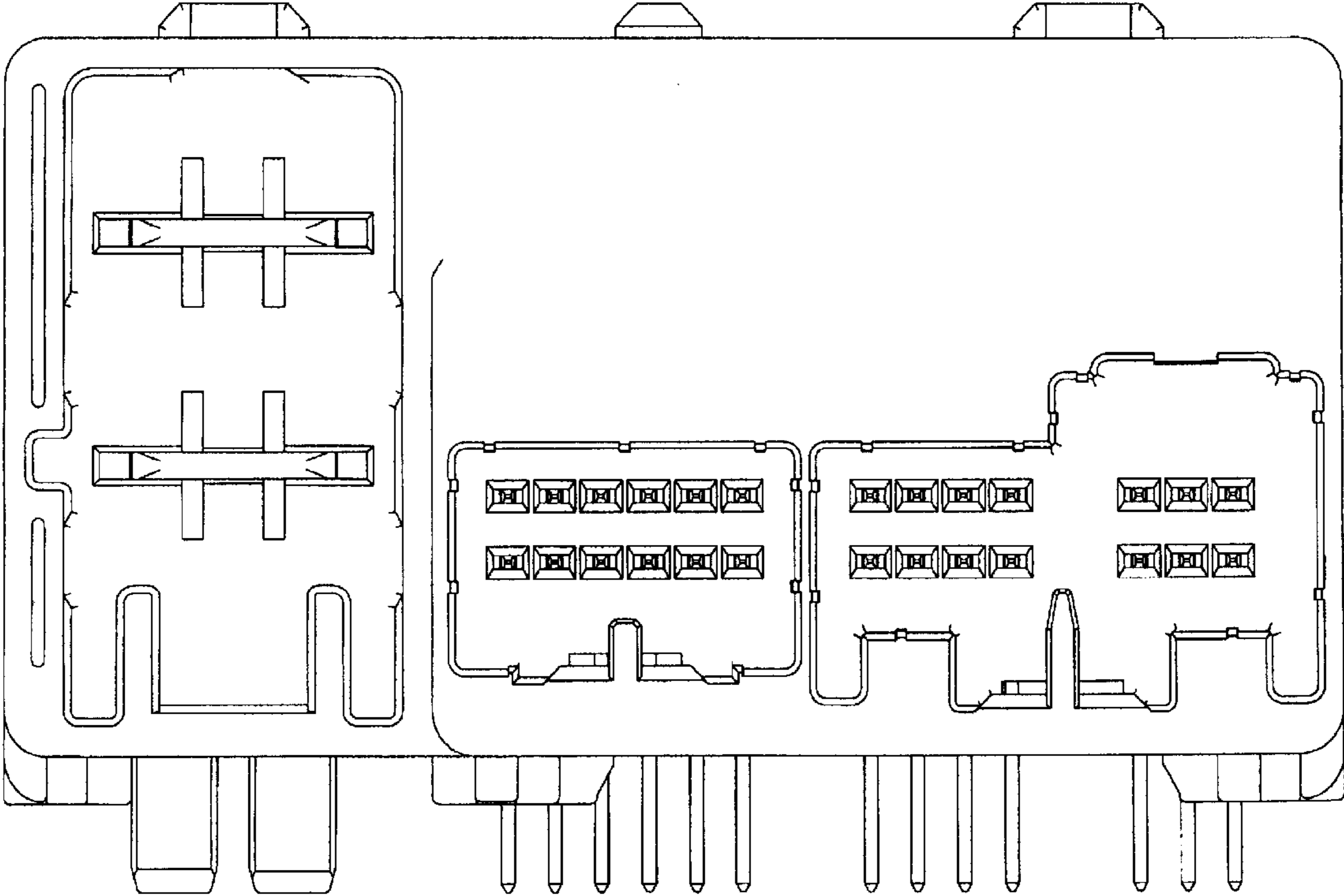


FIG. 1

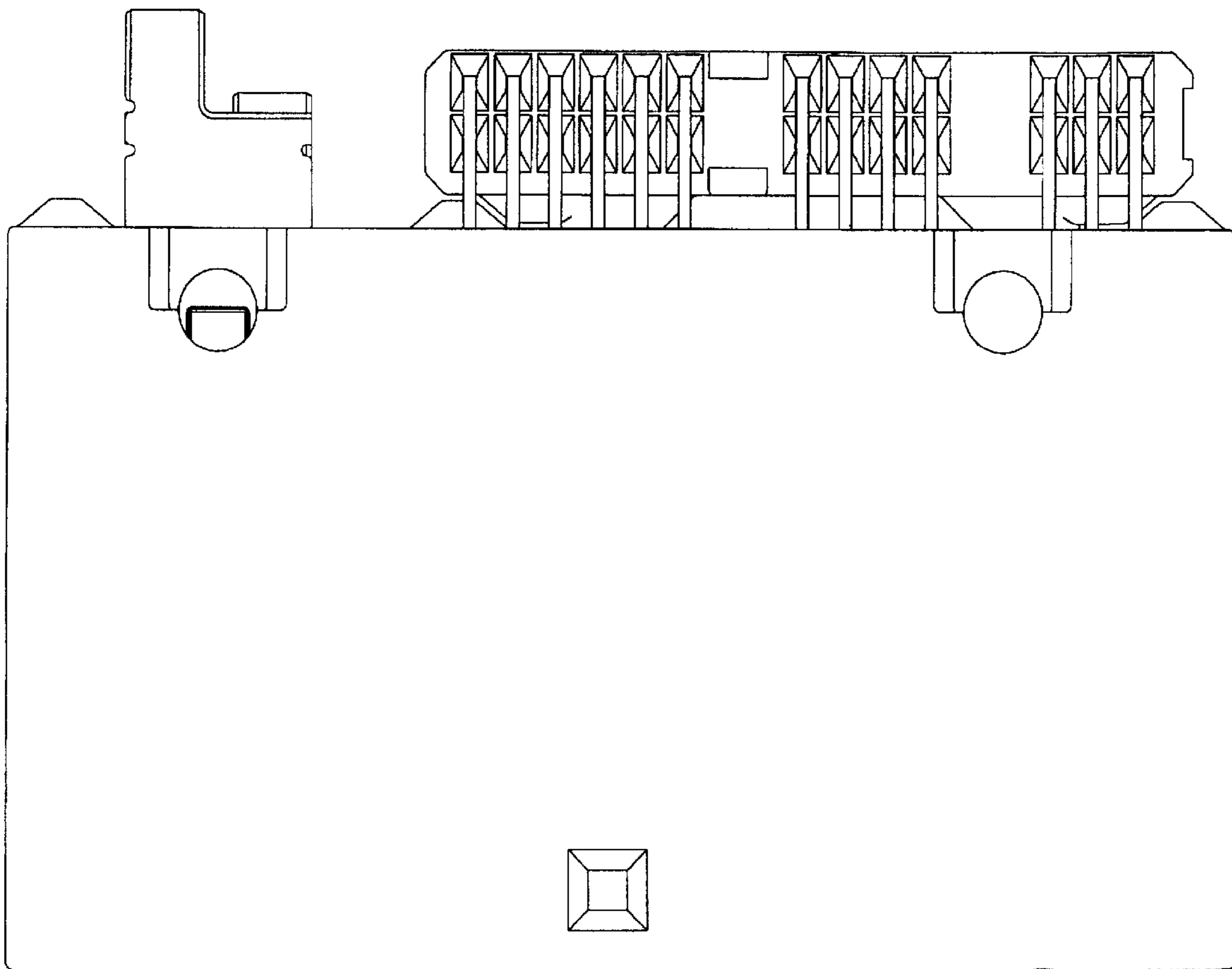


FIG. 2

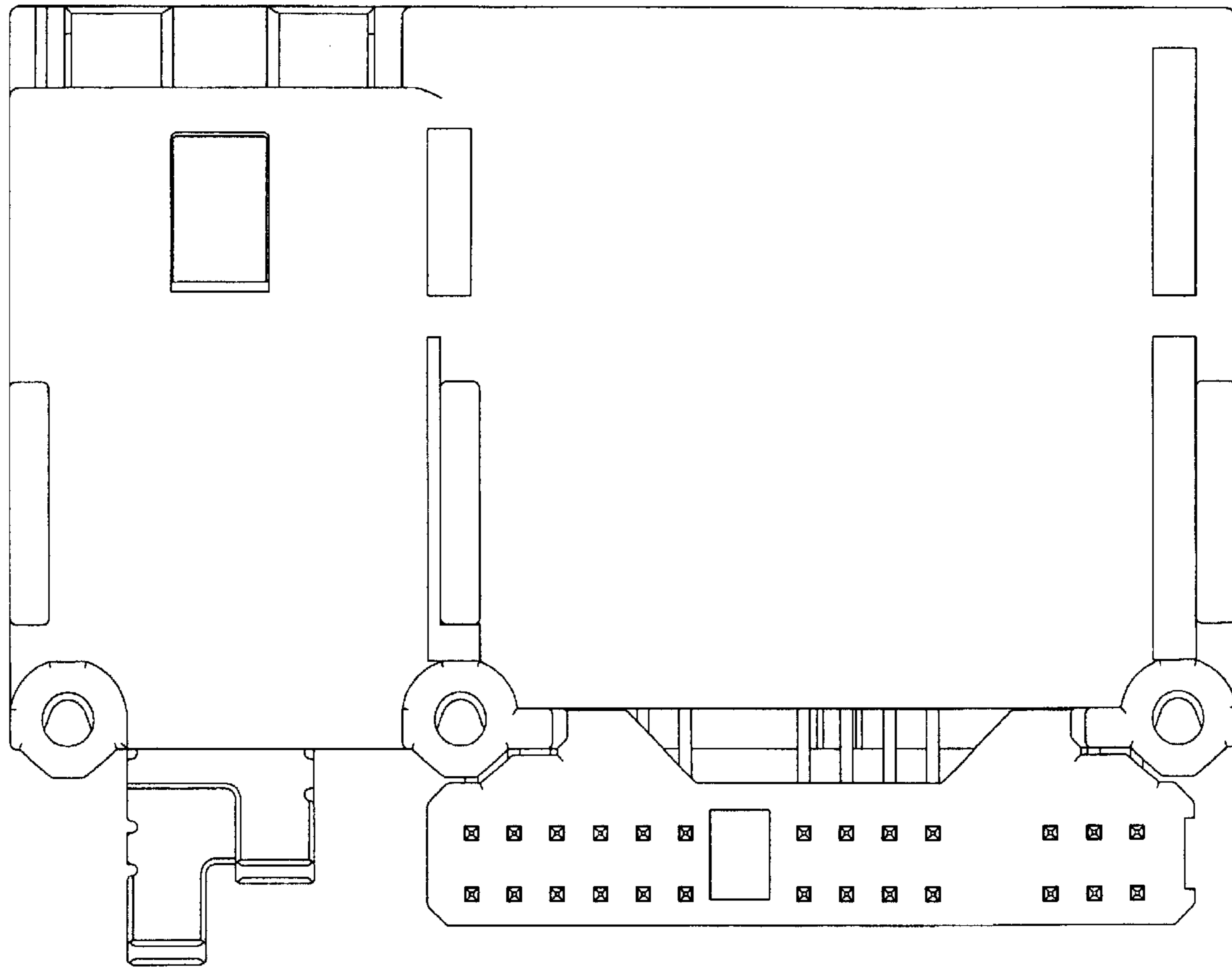


FIG. 3

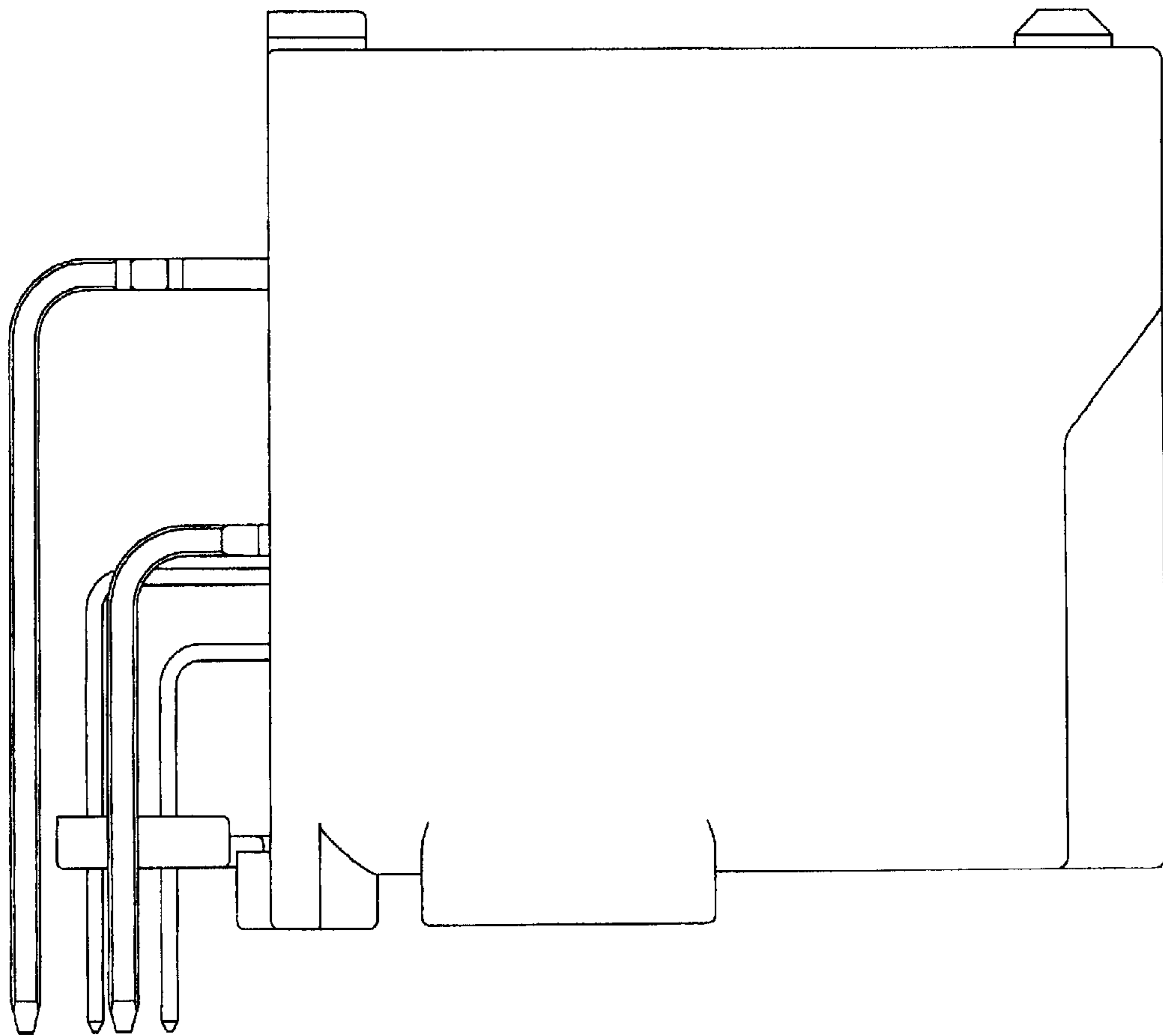


FIG. 4

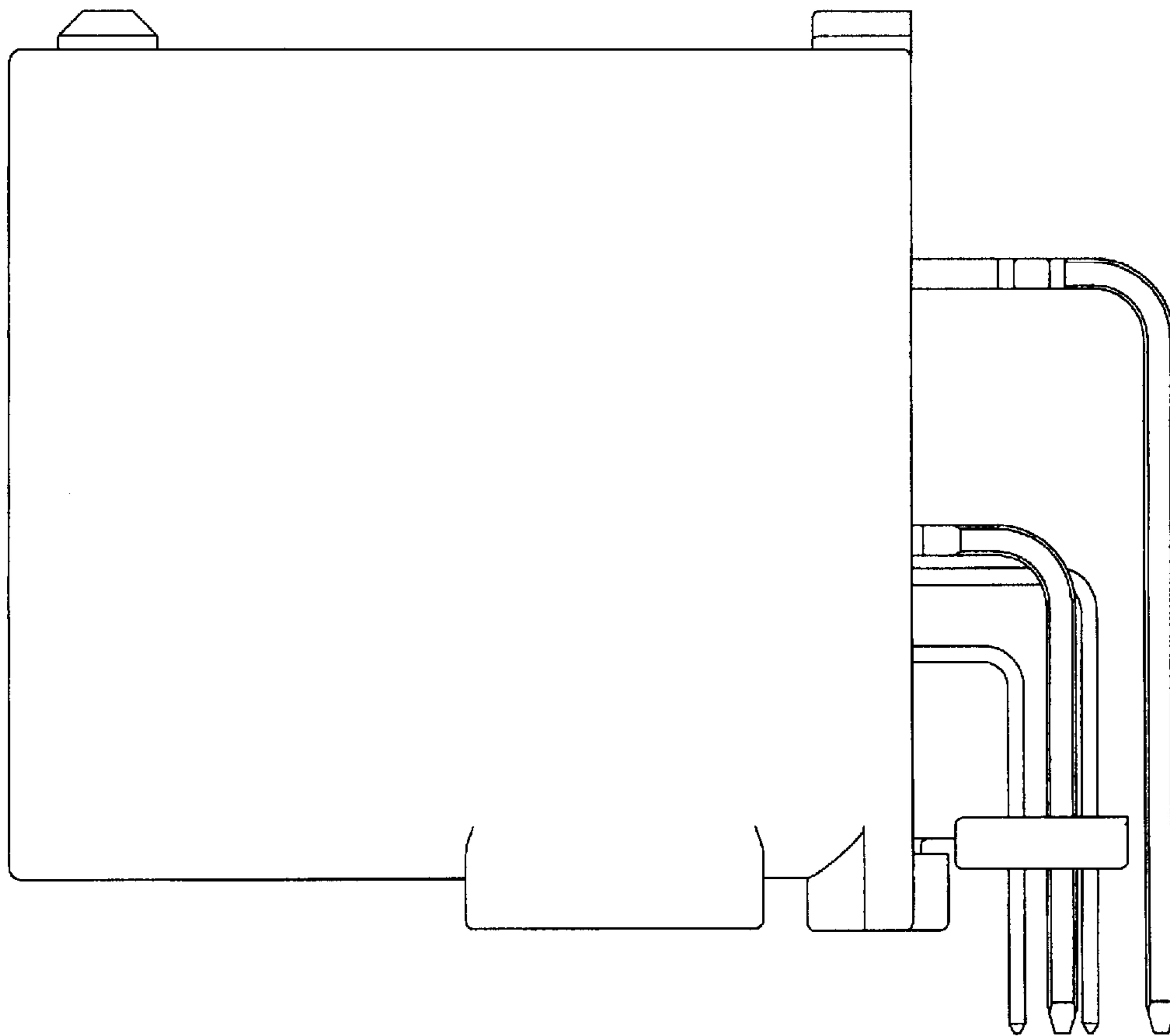


FIG. 5

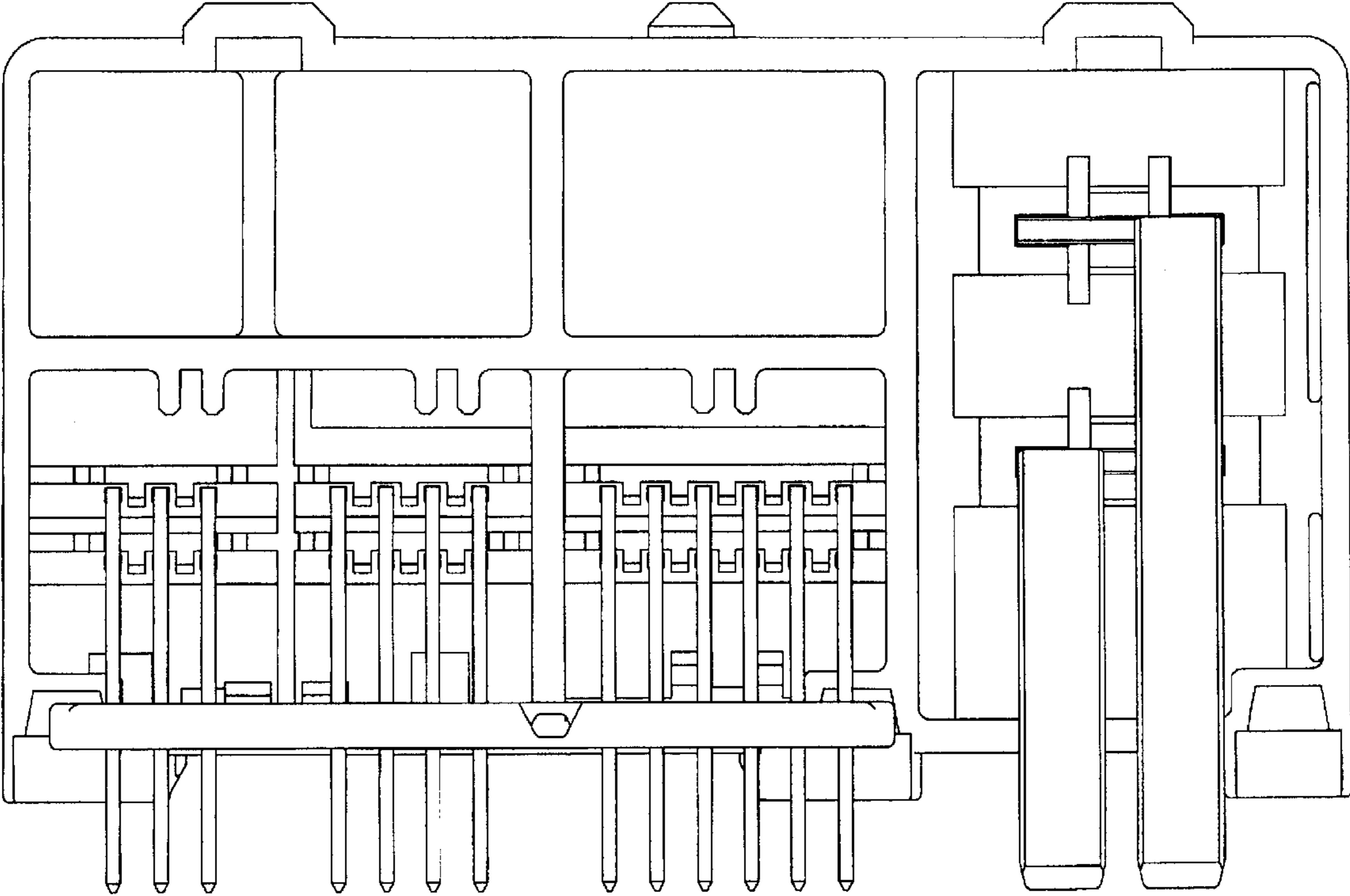


FIG. 6

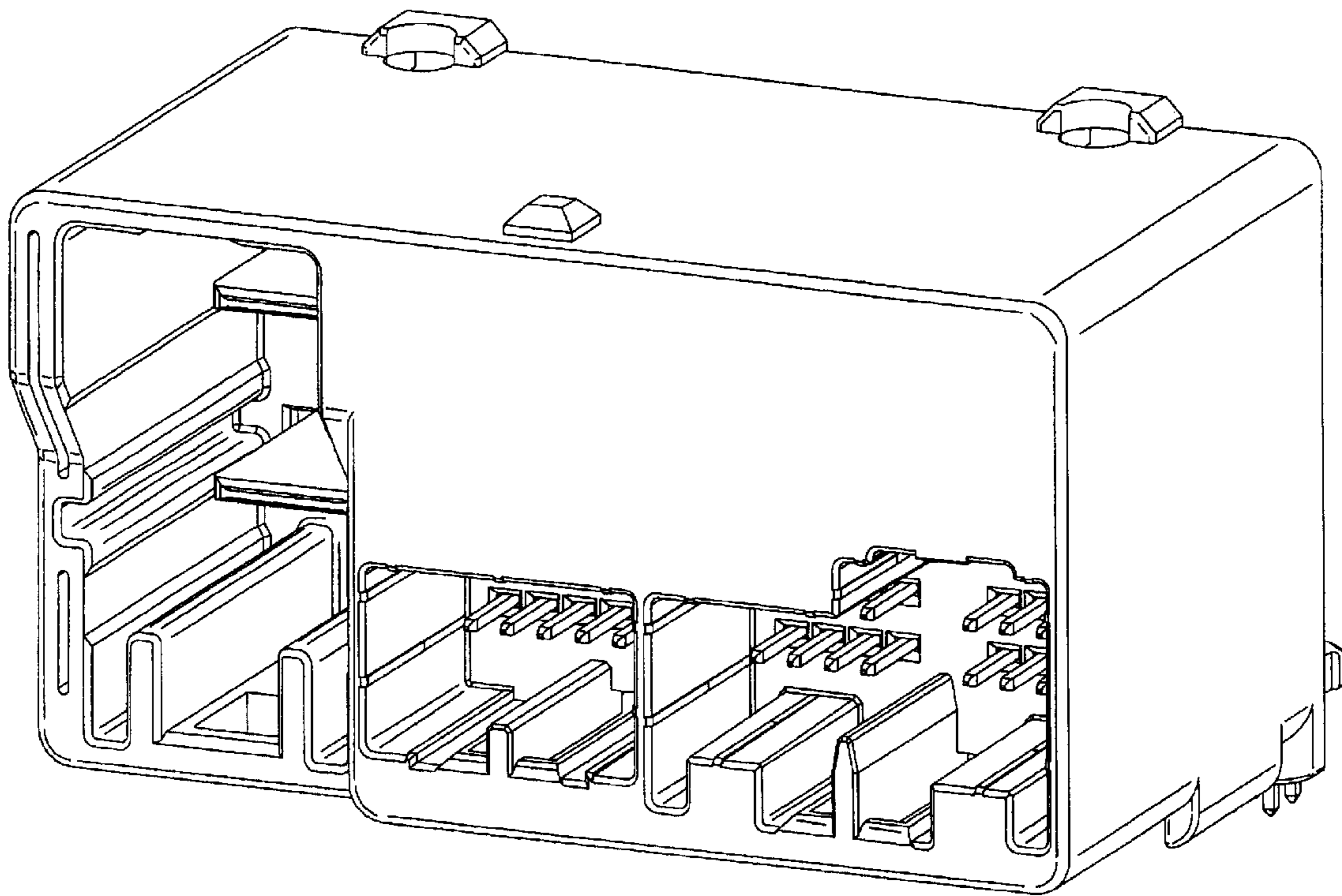


FIG. 7

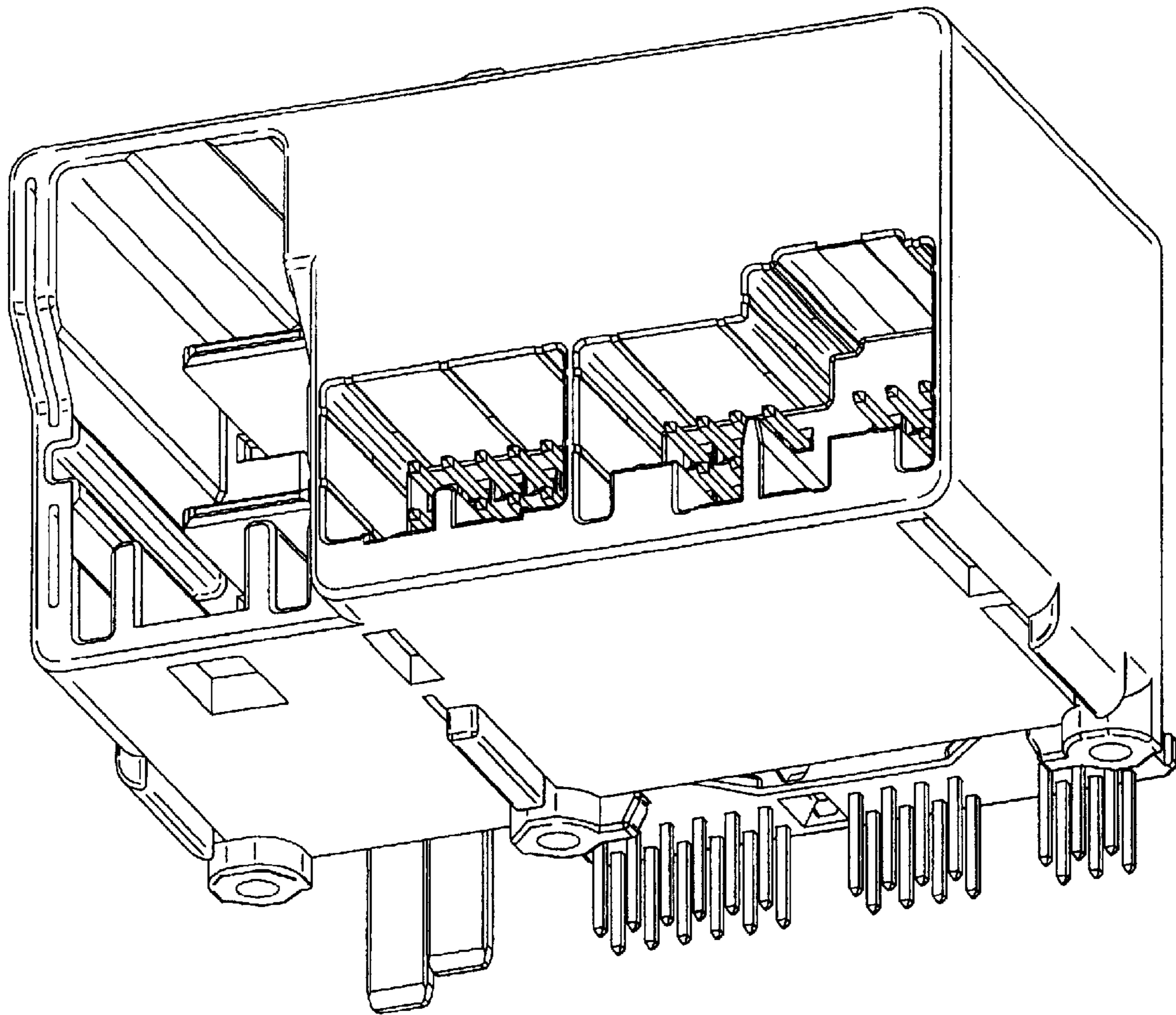


FIG. 8

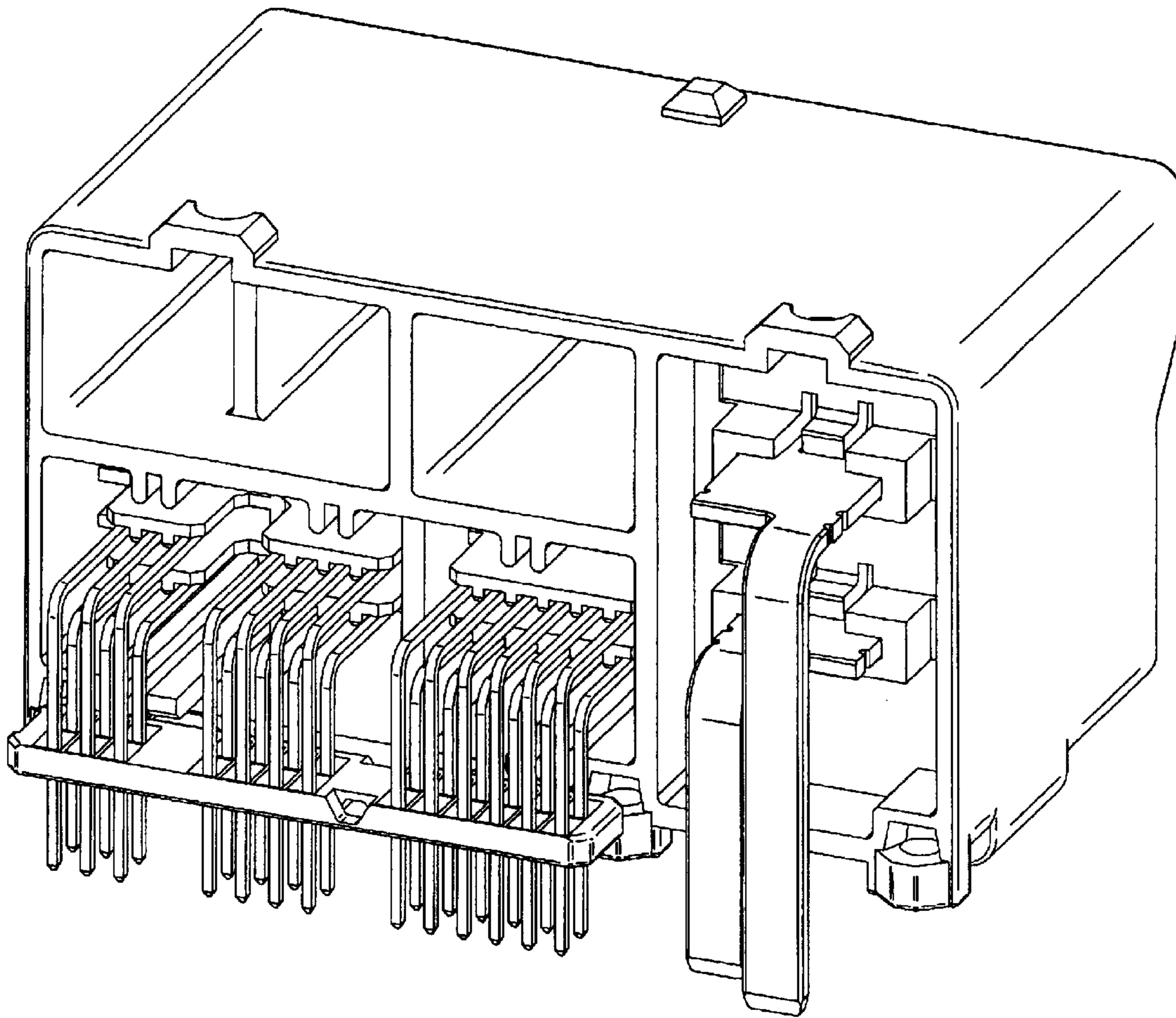


FIG. 9