



US00D537785S

(12) **United States Design Patent**
Pincek

(10) **Patent No.:** **US D537,785 S**
(45) **Date of Patent:** **** Mar. 6, 2007**

(54) **RETRACTABLE AND INTERCHANGEABLE
ACCESS PANEL FOR ELECTRONIC OR
LIKE DEVICES**

(75) Inventor: **David Pincek**, Huntington Beach, CA
(US)

(73) Assignee: **RGB Systems, Inc.**, Anaheim, CA (US)

(**) Term: **14 Years**

(21) Appl. No.: **29/203,601**

(22) Filed: **Apr. 15, 2004**

(51) **LOC (8) Cl.** **13-03**

(52) **U.S. Cl.** **D13/139.4**

(58) **Field of Classification Search** D13/139.4,
D13/162, 164, 184; D14/304; 200/5 R, 5 A;
361/627, 628, 631, 643, 644, 673; 439/131,
439/135, 142

See application file for complete search history.

(56) **References Cited**

U.S. PATENT DOCUMENTS

D182,010 S	1/1958	Wells et al.	D13/184
D187,221 S	2/1960	Laub et al.	D10/103
D198,531 S	6/1964	Beville	D14/217
D205,590 S	8/1966	Balmer		
D224,214 S	7/1972	Wormser		
3,992,070 A	11/1976	Dunn et al.	49/345
D244,214 S	5/1977	Ross et al.	D14/217
D280,893 S	10/1985	Ueda	D13/164
D295,255 S	4/1988	Mauch	D8/330
D306,428 S	3/1990	Barth et al.	D13/164
5,122,069 A	6/1992	Brownlie et al.	439/131
D340,660 S	10/1993	Russell	D10/123
D353,363 S	* 12/1994	Toby	D13/139.4
D363,741 S	10/1995	Leff et al.	D19/60
5,575,668 A	* 11/1996	Timmerman	439/131
5,705,772 A	1/1998	Brown	174/48
5,980,279 A	11/1999	Muller	439/142
D420,327 S	2/2000	Byrne	D13/139.4
D437,827 S	* 2/2001	Gershfeld	D13/139.4
D442,143 S	* 5/2001	Gershfeld	D13/139.4
D446,188 S	8/2001	Gershfeld	D13/139.4

D448,756 S	10/2001	Lewellen	D14/217
D449,819 S	10/2001	Gershfeld	D13/139.4
D455,716 S	* 4/2002	Gershfeld	D13/139.4
D456,357 S	4/2002	Gershfeld	D13/139.4
D457,137 S	* 5/2002	Gershfeld	D13/139.4
D460,736 S	* 7/2002	Pincek et al.	D13/139.4
D465,201 S	* 11/2002	Gershfeld	D13/139.4
D466,868 S	* 12/2002	Gershfeld	D13/139.4
D473,525 S	* 4/2003	Pincek et al.	D13/162
D475,016 S	* 5/2003	Gershfeld	D13/139.4
D512,964 S	* 12/2005	Kissinger et al.	D13/139.4
D516,513 S	* 3/2006	Kissinger et al.	D13/139.4

OTHER PUBLICATIONS

T3U Table Box Product of the Month. Retrieved from
Internet: {www.fsrinc.com/pom.htm}, May 2, 2001.

Product Catalog, Electri-Cable Assemblies, Inc., 2000.

Product Catalog, Spider Manufacturing, Inc., Apr. 1998.

Catalog No. 19, Doug Mockett & Company, Inc. 2000.

Doug Mockett & Company: PCS5 New Large Rectangular
Desktop Power and Communications System #5 p. 1-2 ,
2001 {www.mocket.com}.

* cited by examiner

Primary Examiner—Alan P. Douglas

Assistant Examiner—Rosemary K. Tarcza

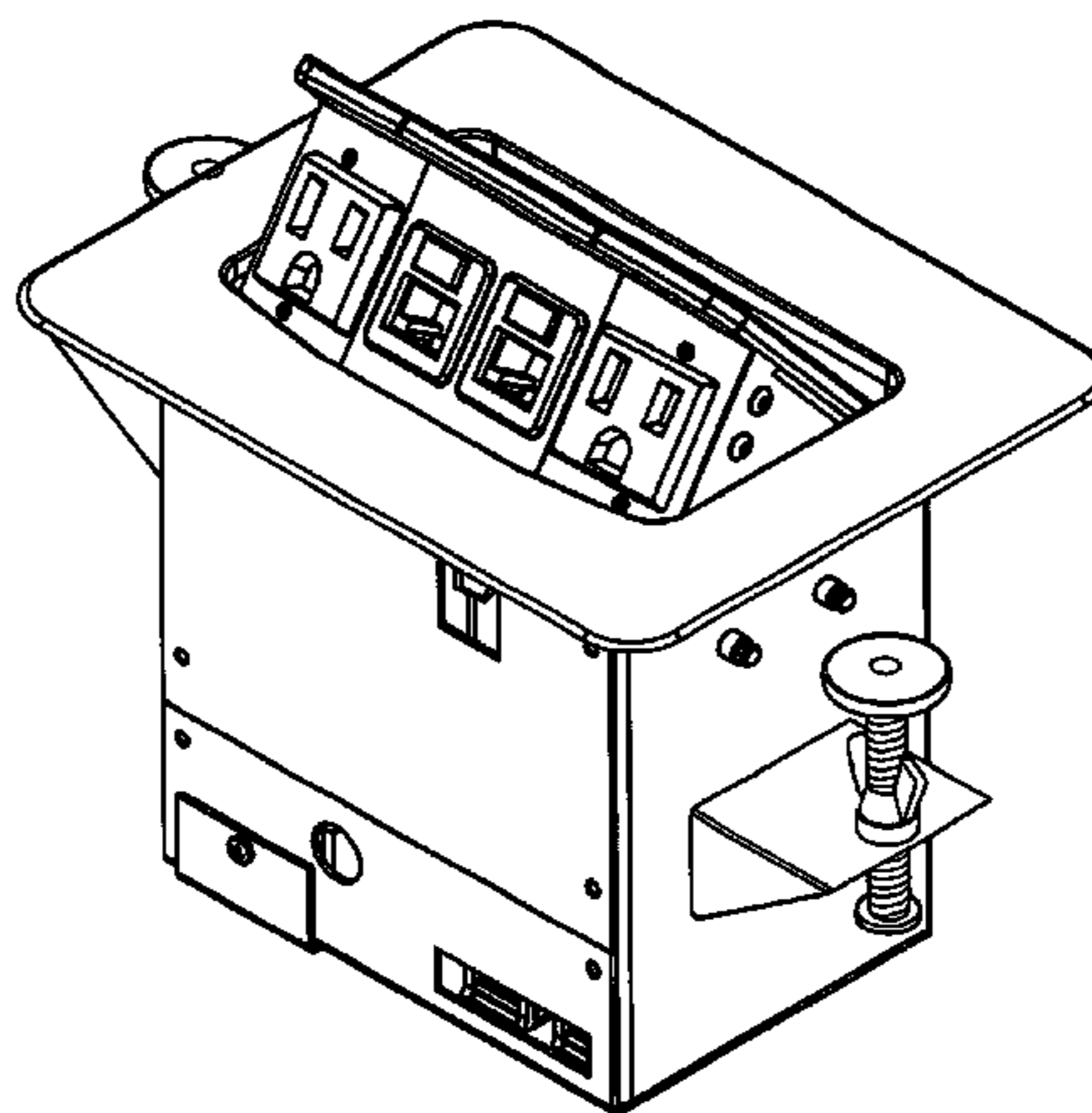
(74) *Attorney, Agent, or Firm*—The Hecker Law Group,
PLC

(57) **CLAIM**

The ornamental design for a retractable and interchangeable
access panel for electronic or like devices, as shown and
described.

DESCRIPTION

This invention is an ornamental design of an easy access
retractable and interchangeable panel providing functions
such as connectors, controls, power switches, and power
plugs, for audiovisual equipments computers, and other
similar electronic devices.



This application is related to U.S. Design application Ser. No. 29/143,310, filed Jun. 11, 2001, issued as U.S. Design Pat. No. D473,525; U.S. Design application Ser. No. 29/143,311, filed Jun. 11, 2001, issued as U.S. Design Pat. No. D460,736; U.S. Design patent application Ser. No. 29/180,093, filed Apr. 18, 2003; U.S. Design patent application Ser. No. 29/180,095, filed Apr. 18, 2003; and U.S. Design patent application Ser. No. 29/180,094, filed Apr. 18, 2003, all entitled "Retractable and Interchangeable Control Panel for Electronic and Like Devices."

FIG. 1 is a perspective view of a retractable and interchangeable access panel for electronic or like devices in an open position, with left support brace in lower position.

FIG. 2 is a top elevational view thereof of the retractable and interchangeable access panel for electronic or like devices in an open position.

FIG. 3 is a front elevational view thereof of the retractable and interchangeable access panel for electronic or like devices in an open position, with left support brace in lower position and right support brace in upper position.

FIG. 4 is a left side elevational view thereof of the retractable and interchangeable access panel for electronic or like devices in an open position, with left support brace in lower position.

FIG. 5 is a perspective view of a retractable and interchangeable access panel for electronic or like devices in a closed position, with left support brace in lower position.

FIG. 6 is a top elevational view thereof of the retractable and interchangeable access panel for electronic or like devices in a closed position.

FIG. 7 is a back elevational view thereof of the retractable and interchangeable access panel for electronic or like devices in an open position, with left support brace in lower position and right support brace in upper position.

FIG. 8 is a right side elevational view thereof of the retractable and interchangeable access panel for electronic or like devices in an open position, with right support brace in lower position.

FIG. 9 is a front side elevational view thereof of the retractable and interchangeable access panel for electronic or like devices in a closed position, with left and right support braces in lower position.

FIG. 10 is a left side elevation view thereof of the retractable and interchangeable access panel for electronic or like devices in a closed position, with left support brace in lower position.

FIG. 11 is a back side elevation view thereof of the retractable and interchangeable access panel for electronic or like devices in a closed position, with left support brace in lower position and right support brace in upper position; and,

FIG. 12 is a right side elevation view thereof of the retractable and interchangeable access panel for electronic or like devices in a closed position, with right support brace in lower position.

1 Claim, 6 Drawing Sheets

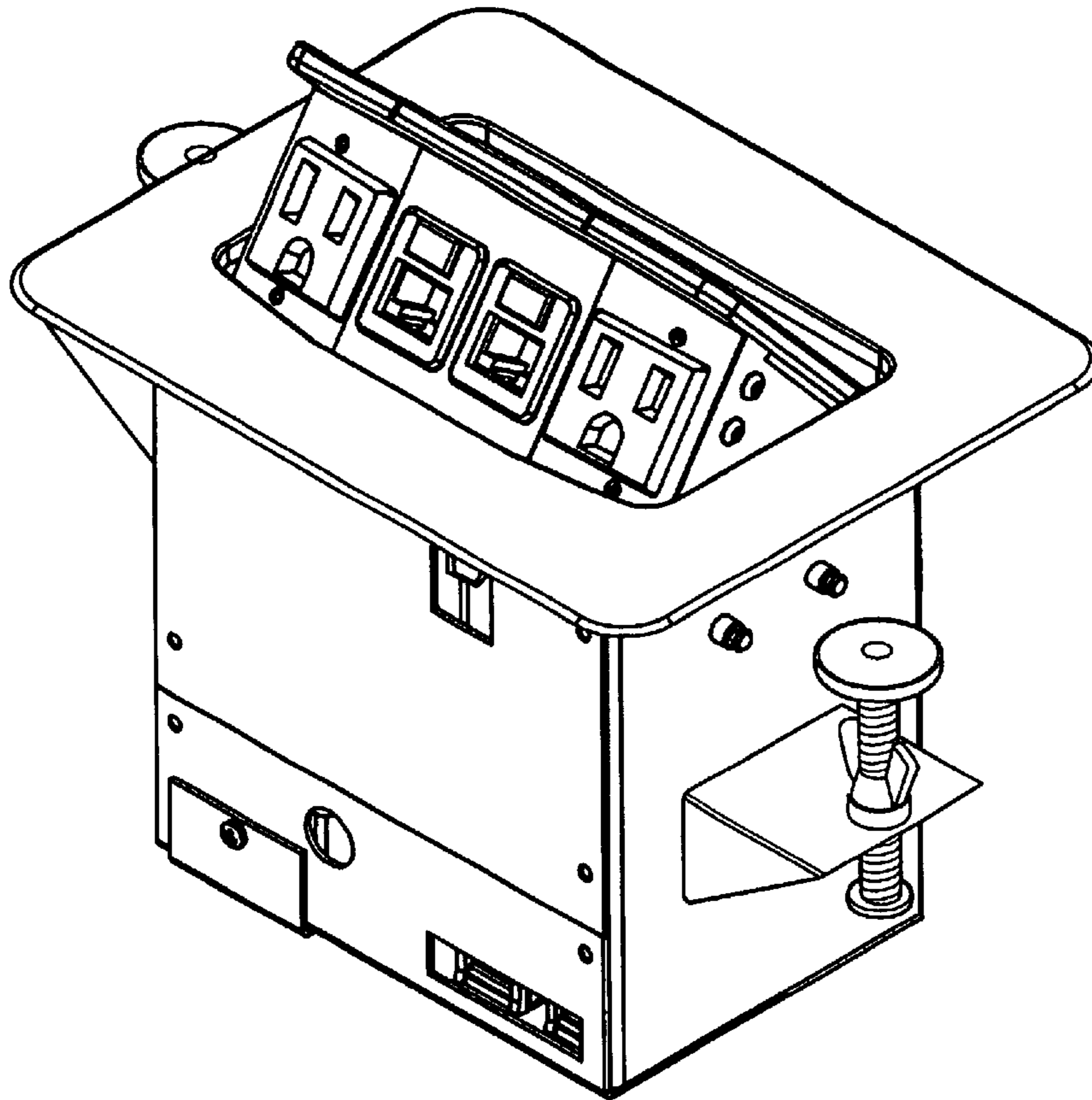


FIG. 1

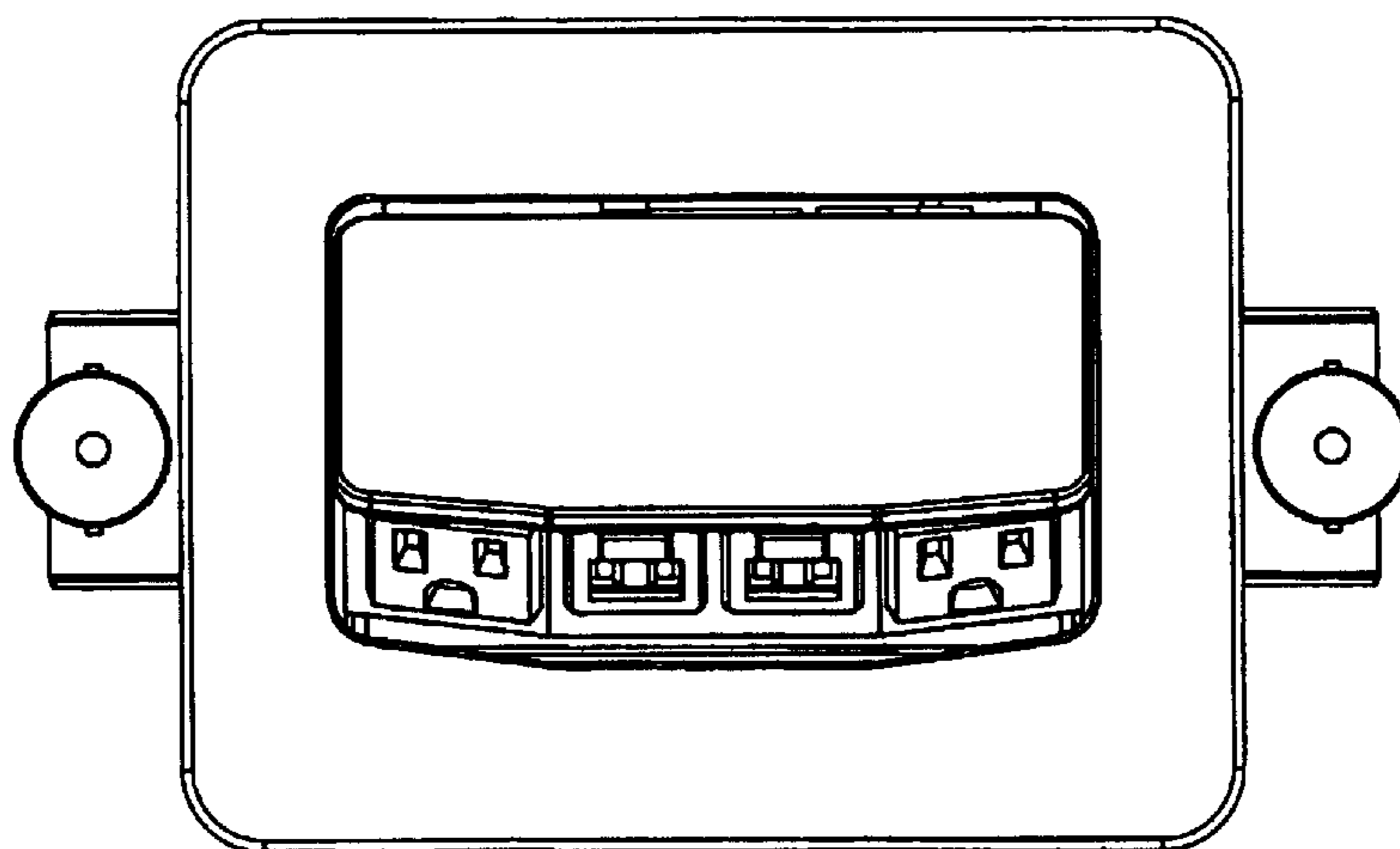


FIG. 2

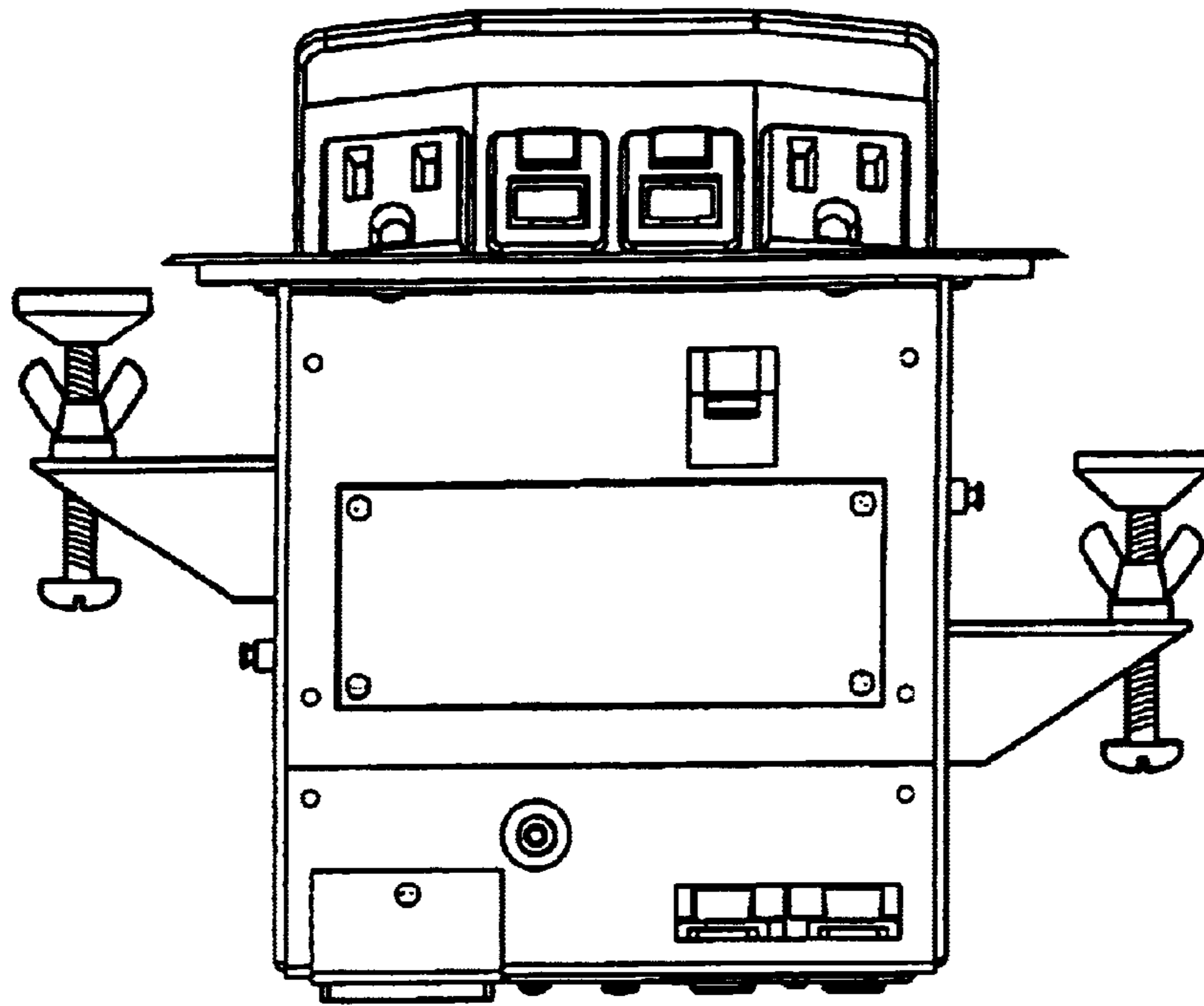


FIG. 3

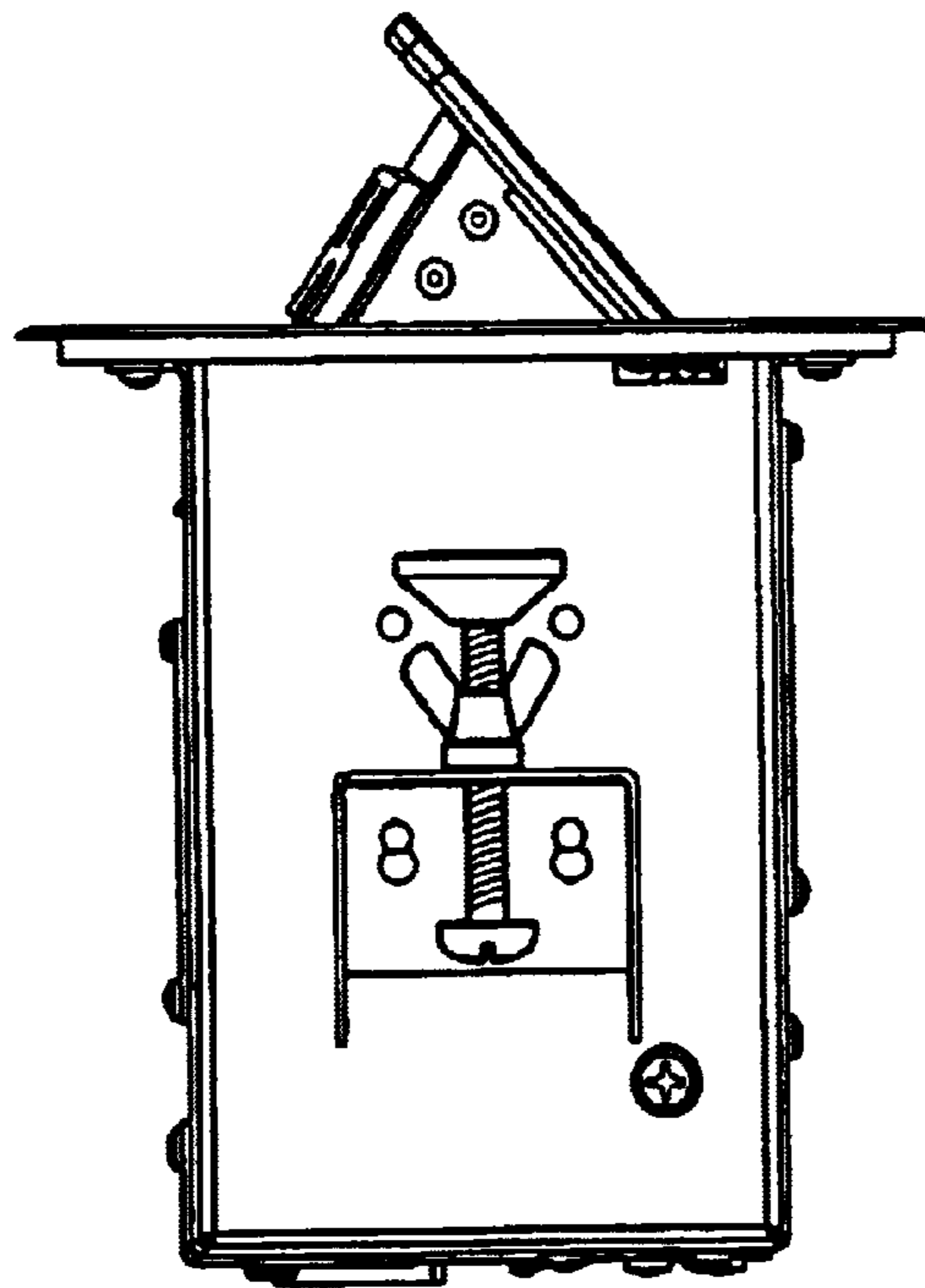


FIG. 4

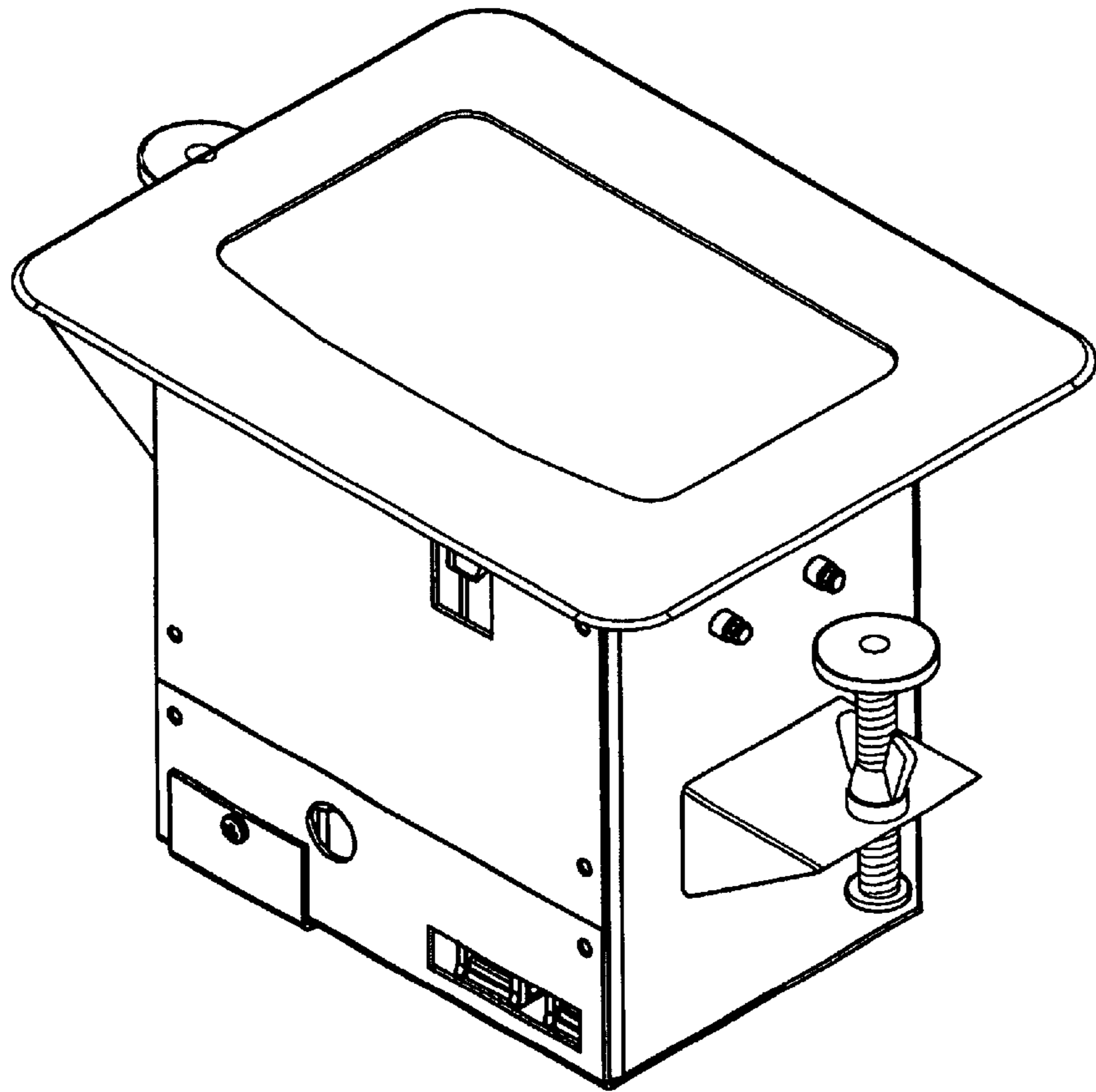


FIG. 5

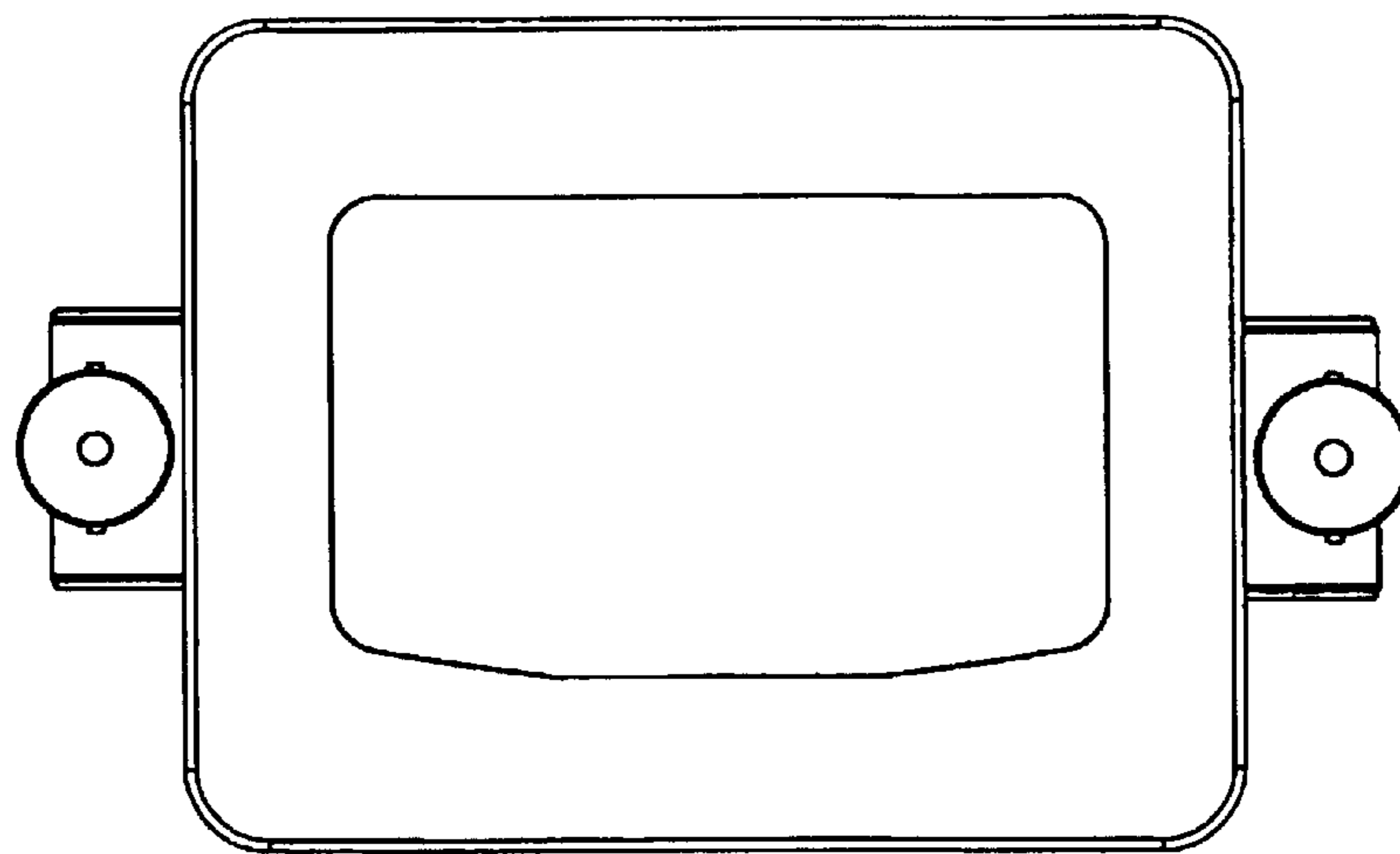


FIG. 6

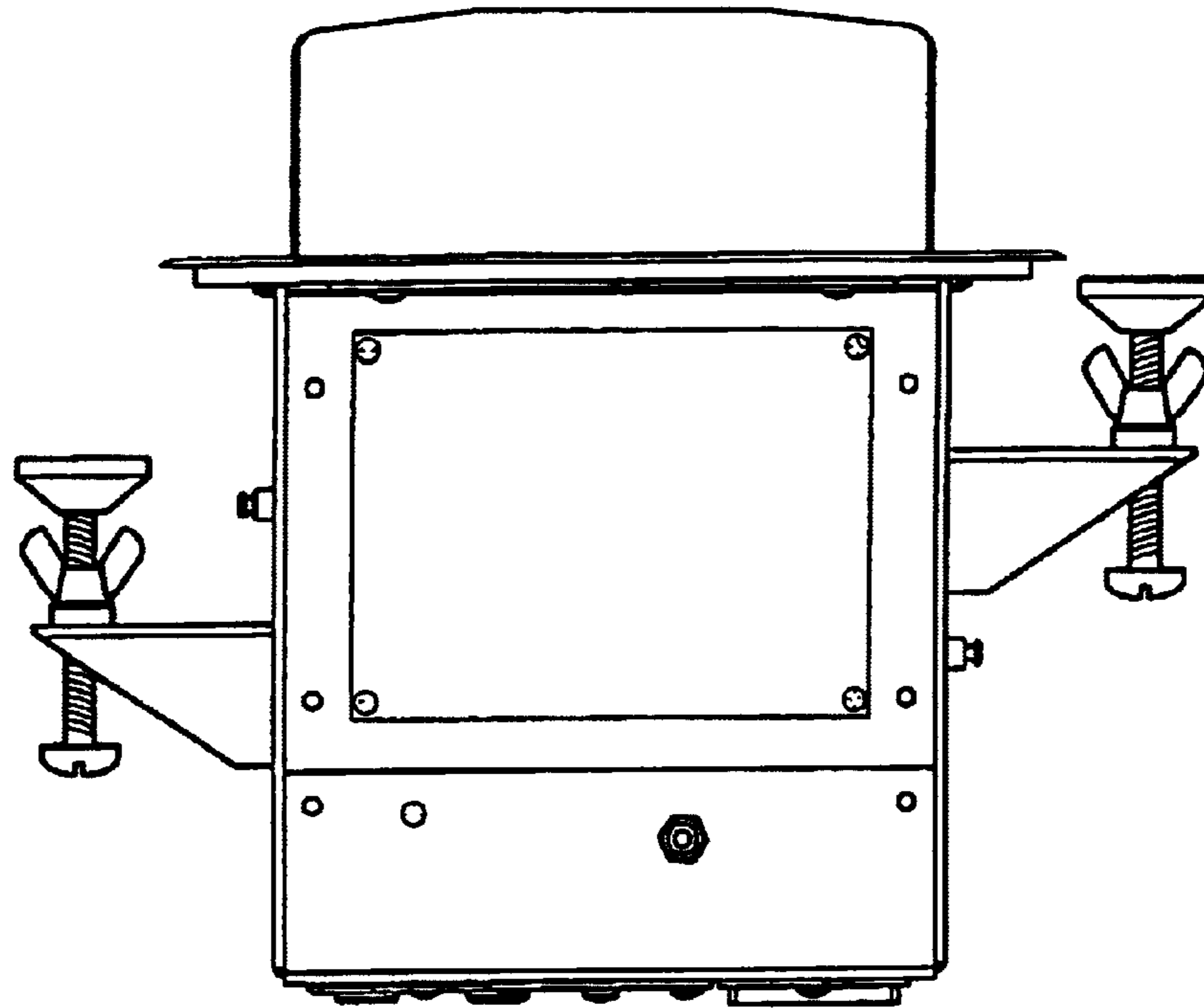


FIG. 7

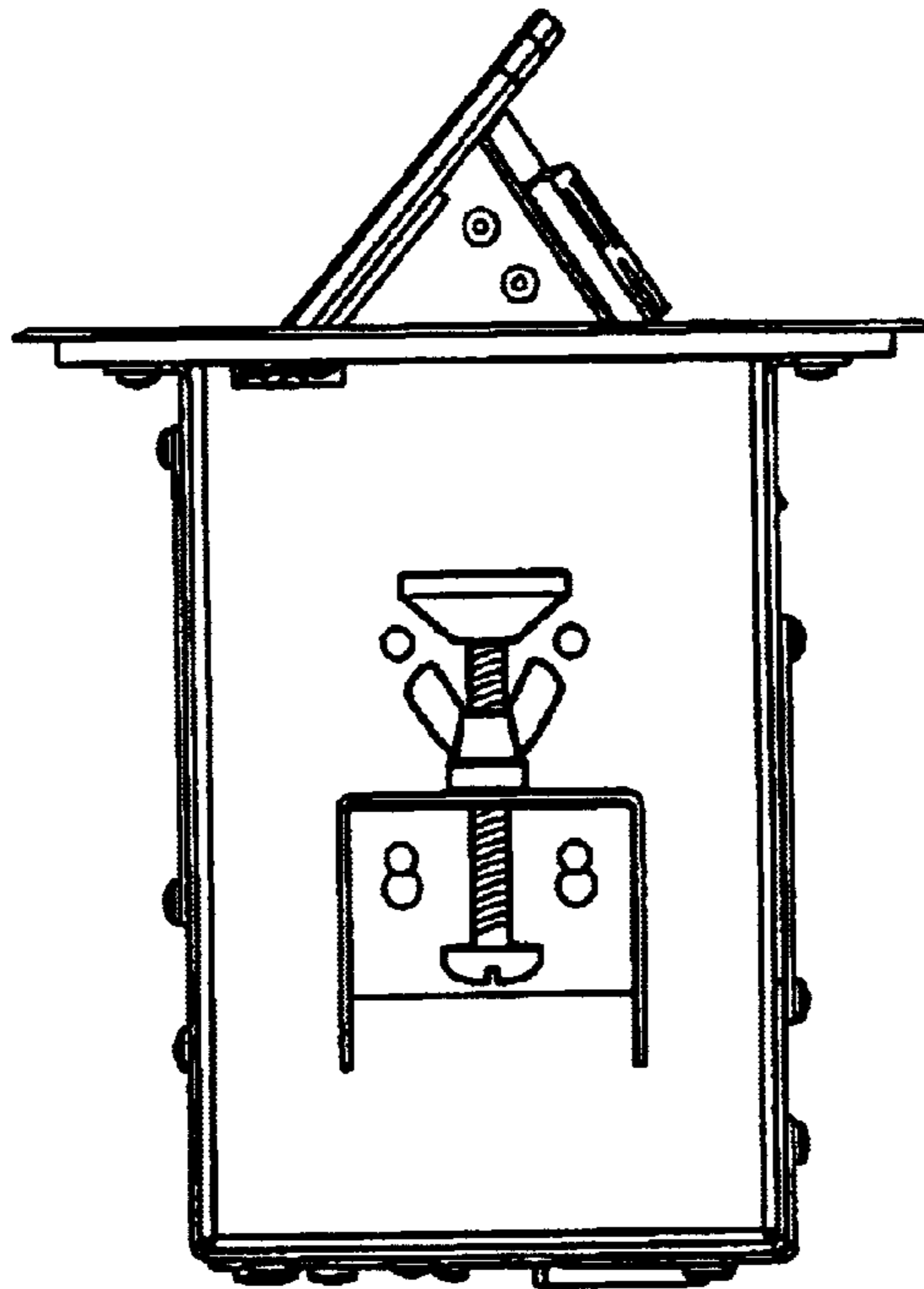


FIG. 8

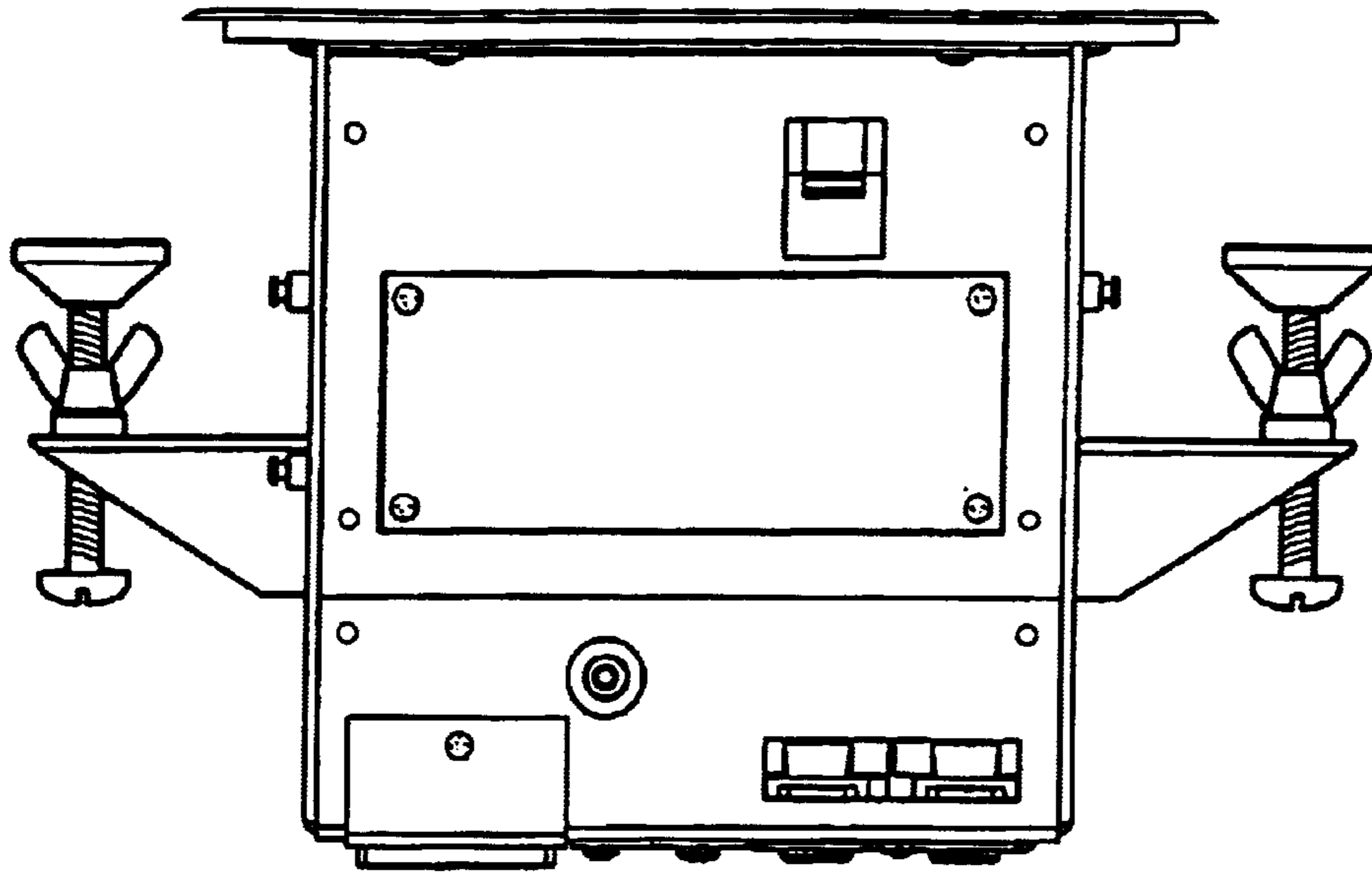


FIG. 9

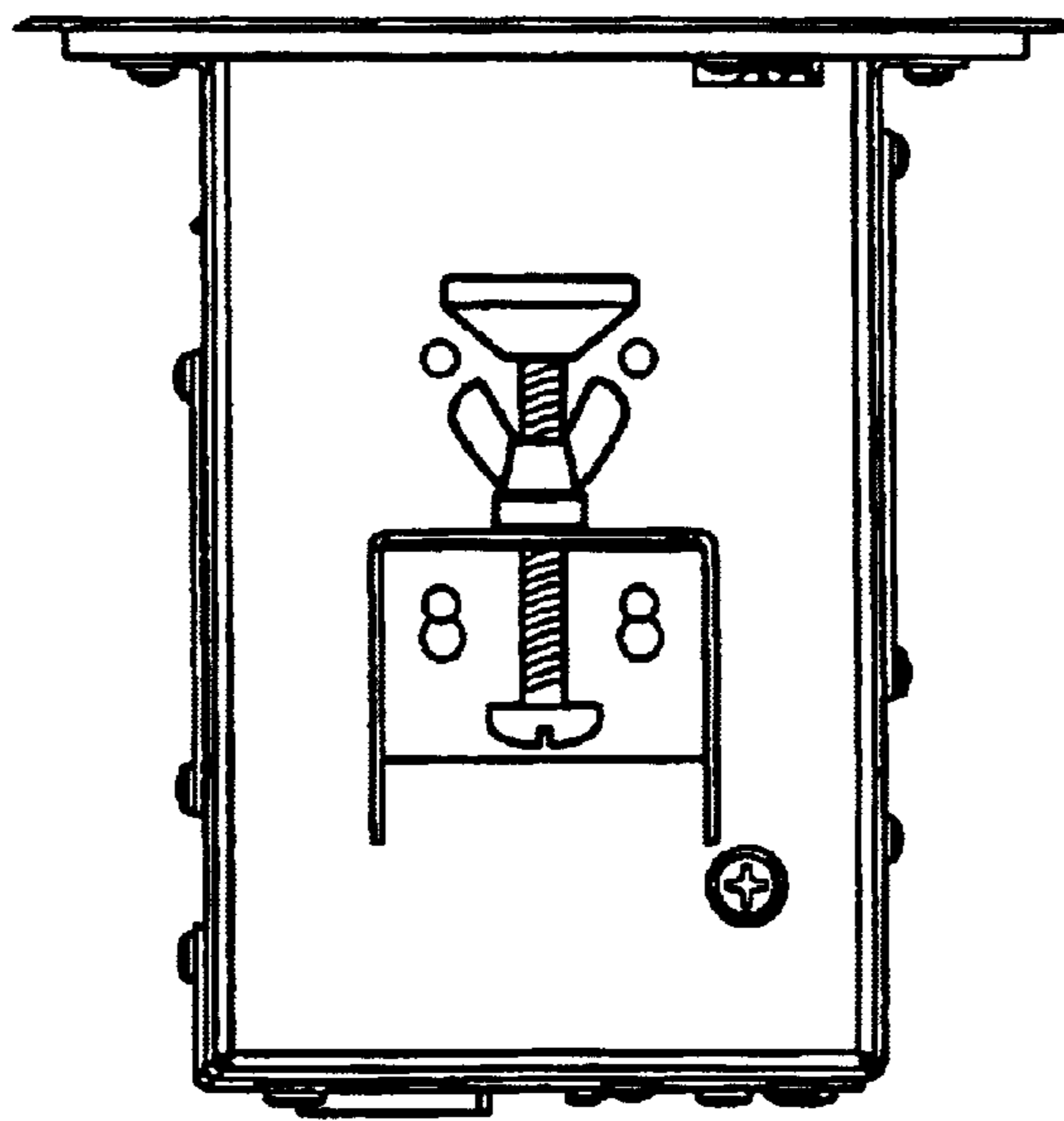


FIG. 10

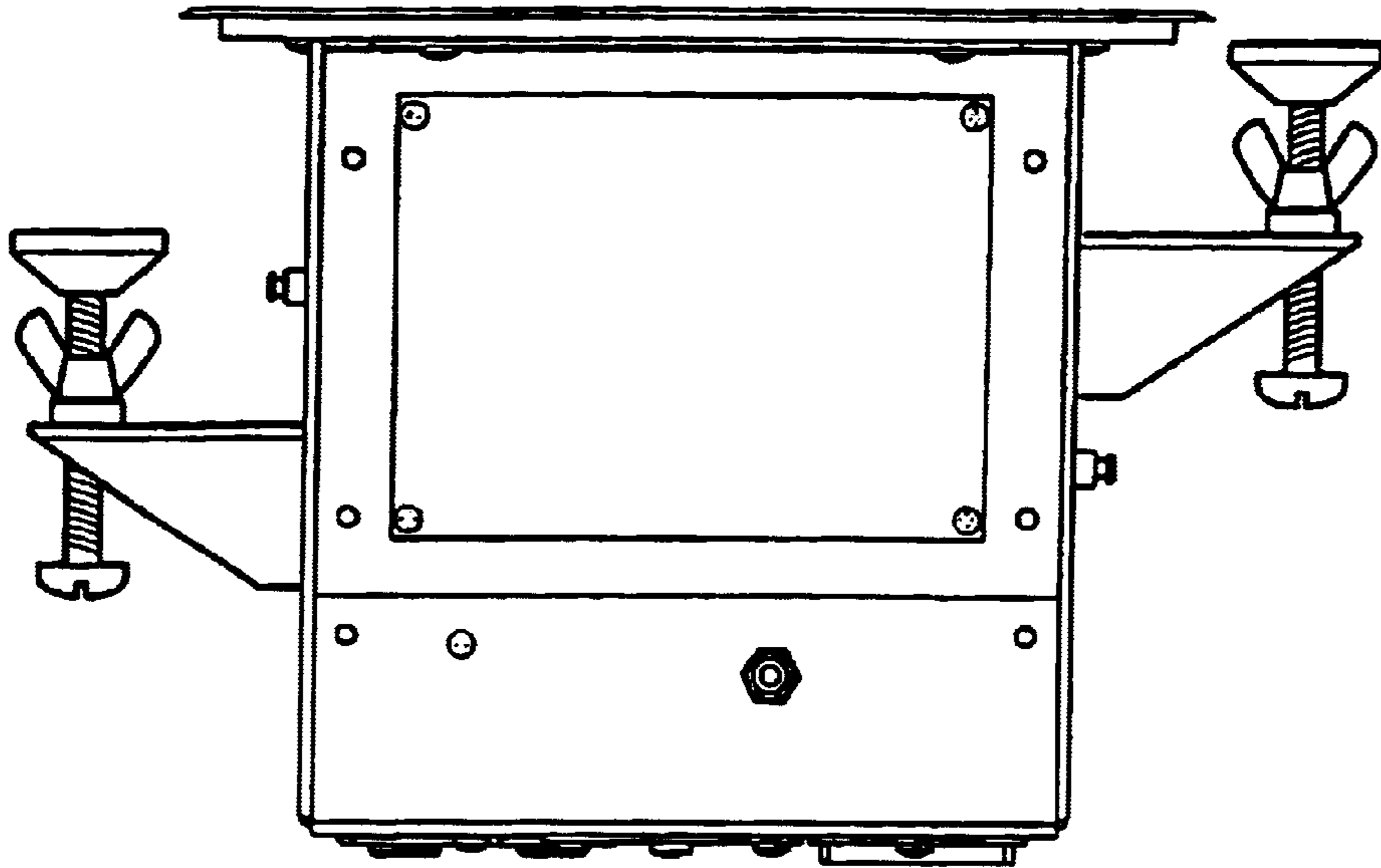


FIG. 11

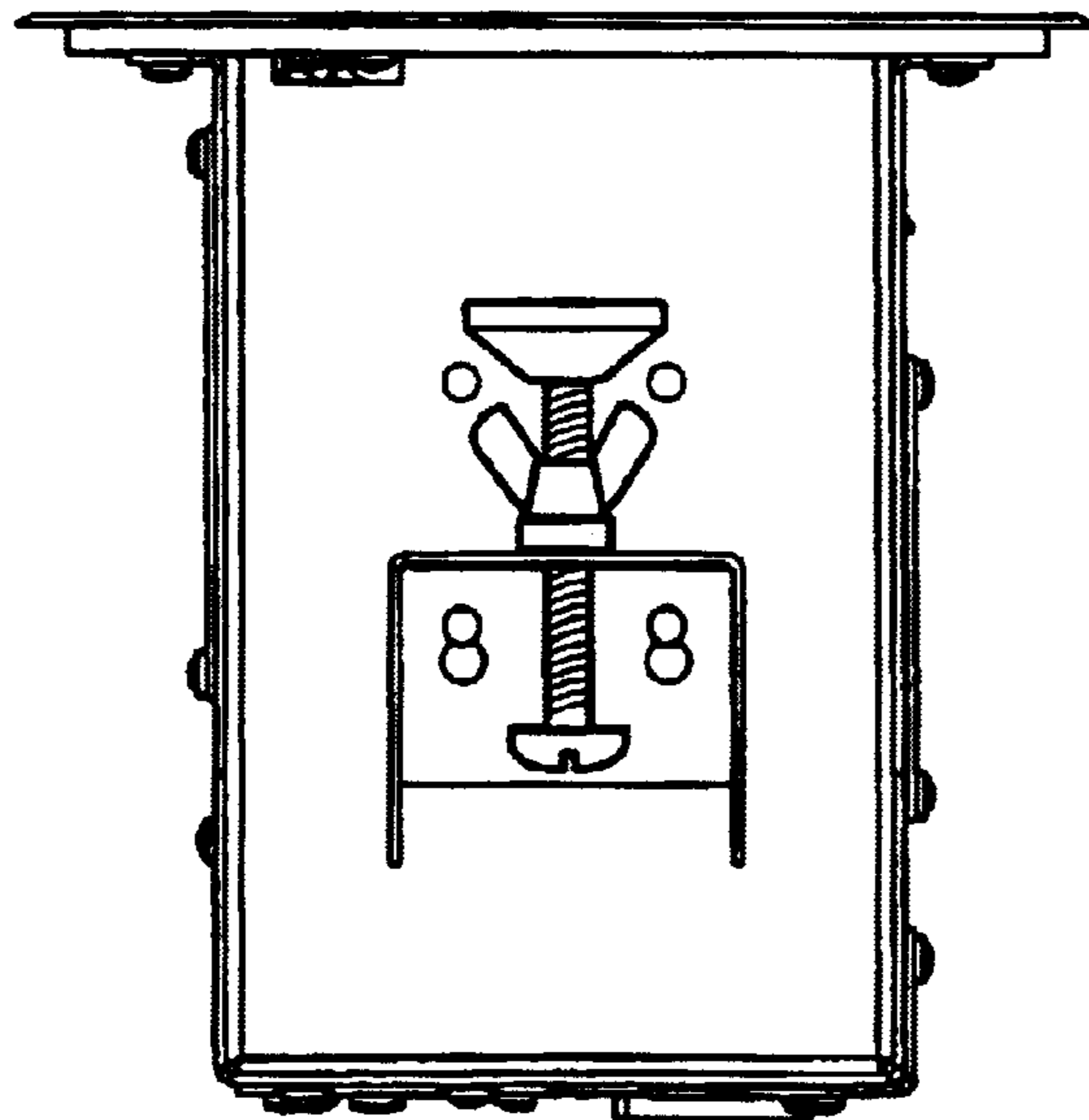


FIG. 12