



US00D537784S

(12) **United States Design Patent**  
**Suckle et al.**

(10) **Patent No.:** **US D537,784 S**

(45) **Date of Patent:** **\*\* Mar. 6, 2007**

(54) **SCHUKO WALL PLUG**

(75) Inventors: **Mitchell Suckle**, Long Beach, CA  
(US); **Yoko Iida**, Los Angeles, CA  
(US); **Yotaro Tsuchiva**, Pasadena, CA  
(US)

(73) Assignee: **Belkin Corporation**, Compton, CA  
(US)

(\*\*) Term: **14 Years**

(21) Appl. No.: **29/237,020**

(22) Filed: **Aug. 24, 2005**

(51) **LOC (8) Cl.** ..... **13-03**

(52) **U.S. Cl.** ..... **D13/138.1**

(58) **Field of Classification Search** .. D13/137.1-137.4,  
D13/138.1, 138.2, 133, 154; 439/171-172,  
439/140, 160, 164, 135-138, 446, 131, 606,  
439/105, 106, 11, 13, 31; 337/197, 198; 174/53-58  
See application file for complete search history.

(56) **References Cited**

**U.S. PATENT DOCUMENTS**

D186,434 S \* 10/1959 King ..... D13/138.1  
D355,408 S \* 2/1995 Geis et al. .... D13/138.1  
D365,083 S \* 12/1995 Hedrick ..... D13/138.1  
D369,142 S \* 4/1996 Hedrick ..... D13/138.1  
D401,903 S \* 12/1998 Dwight et al. .... D13/138.2

D405,222 S \* 2/1999 Gilbert et al. .... D13/138.2  
D428,390 S \* 7/2000 Wang ..... D13/138.2  
D450,298 S \* 11/2001 Suzuki ..... D13/133  
6,428,357 B1 \* 8/2002 Dolinshek et al. .... 439/606  
D485,239 S \* 1/2004 Whalin et al. .... D13/137.4  
D503,152 S \* 3/2005 Suckle et al. .... D13/154  
D514,524 S \* 2/2006 Suckle ..... D13/156  
D519,079 S \* 4/2006 Suckle ..... D13/138.1

\* cited by examiner

*Primary Examiner*—M. H. Tung

*Assistant Examiner*—Rosemary K. Tarcza

(74) *Attorney, Agent, or Firm*—Bryan Cave LLP

(57) **CLAIM**

We claim the ornamental design for a Schuko wall plug, as shown and described.

**DESCRIPTION**

FIG. 1 is a front elevational view of the Schuko wall plug;  
FIG. 2 is a rear elevational view thereof;  
FIG. 3 is a top view thereof;  
FIG. 4 is a bottom view thereof;  
FIG. 5 is a left side elevational view thereof;  
FIG. 6 is a right side elevational view thereof;  
FIG. 7 is a rear, right, top perspective view thereof; and,  
FIG. 8 is a front, left, top perspective view thereof.

The broken lines in the drawings are for illustrative purposes only and form no part of the claimed design.

**1 Claim, 2 Drawing Sheets**

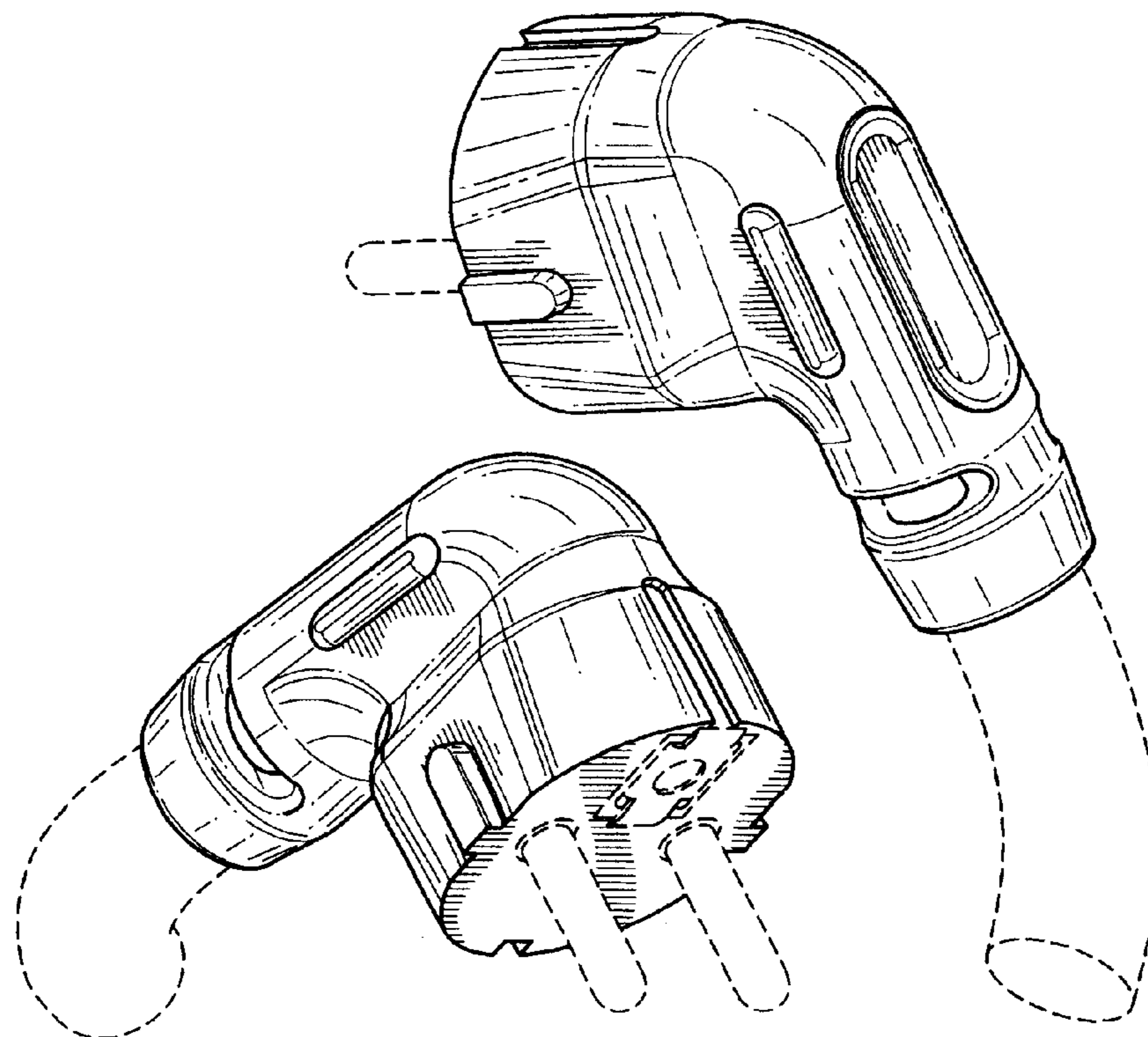


FIG.1

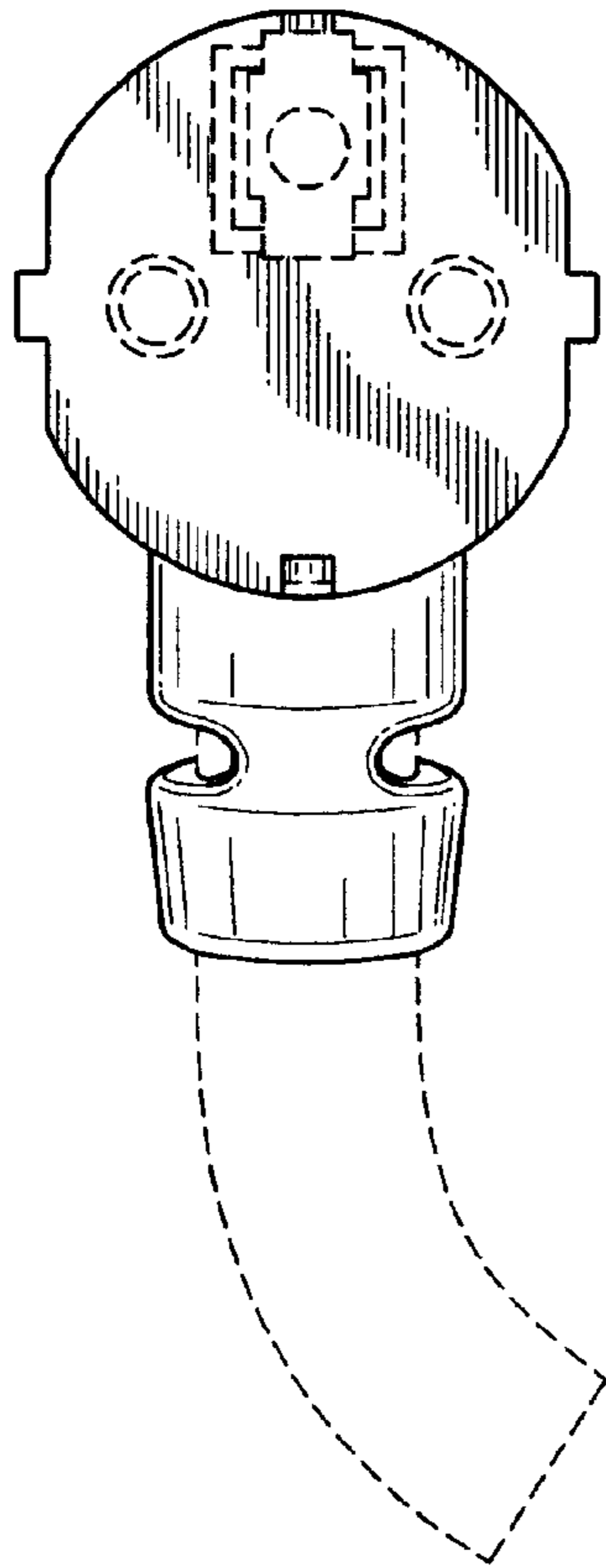


FIG.2

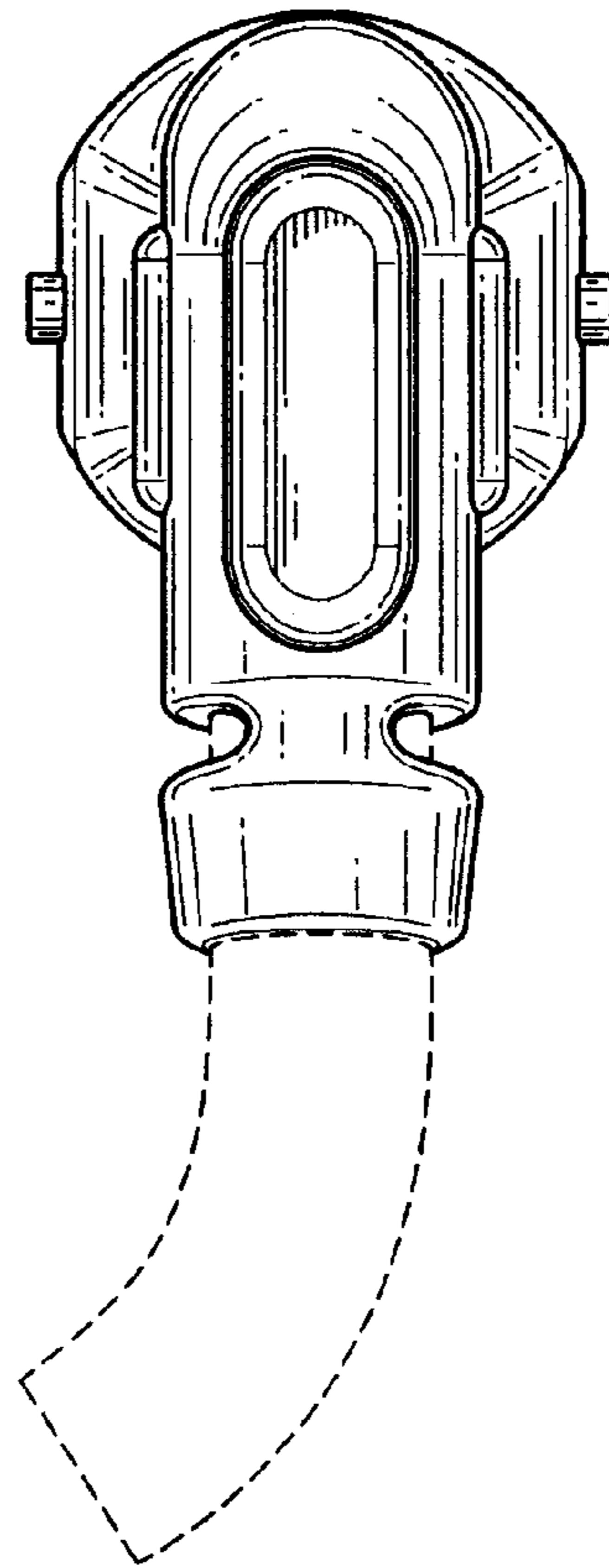


FIG.3

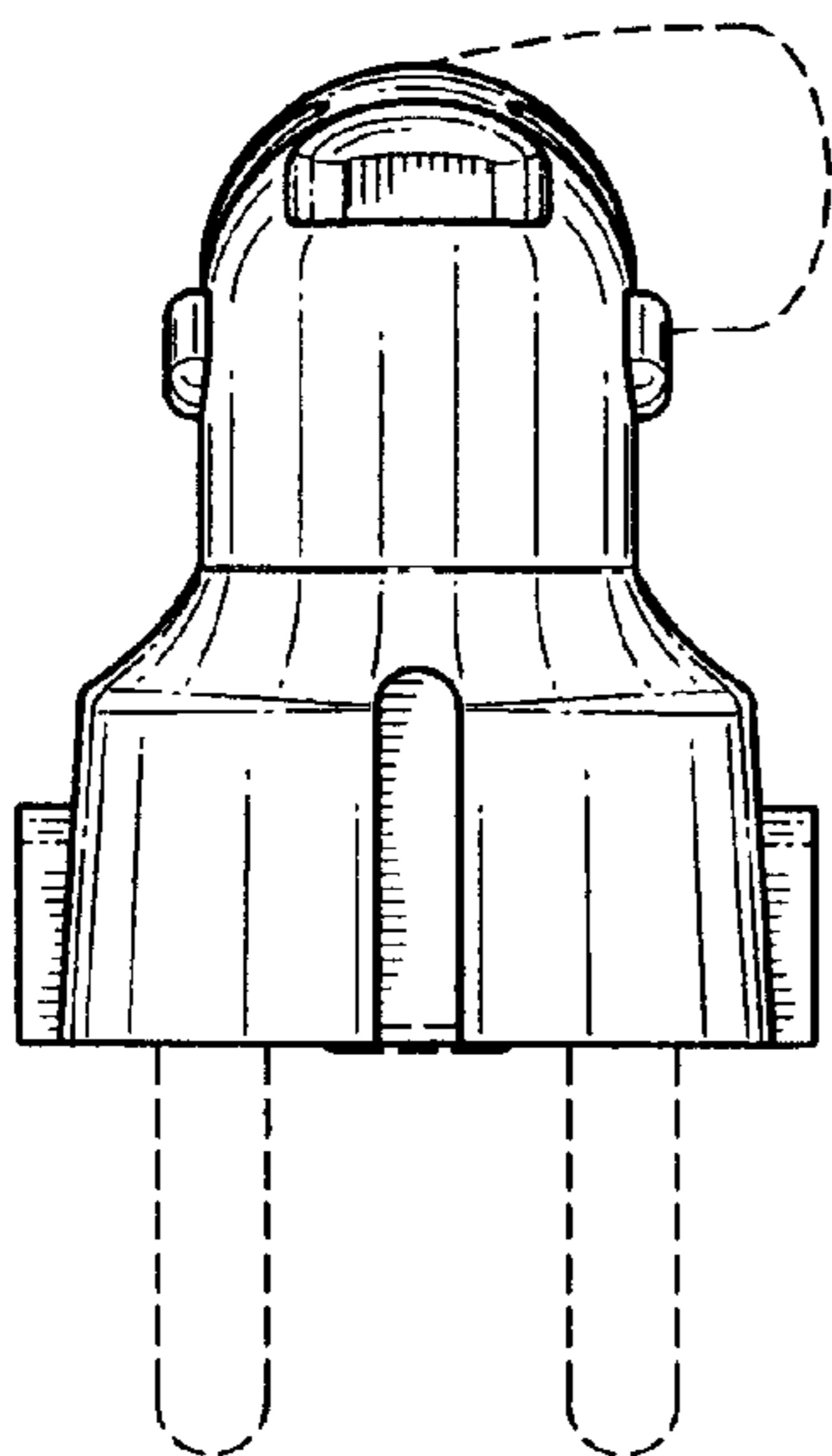


FIG.4

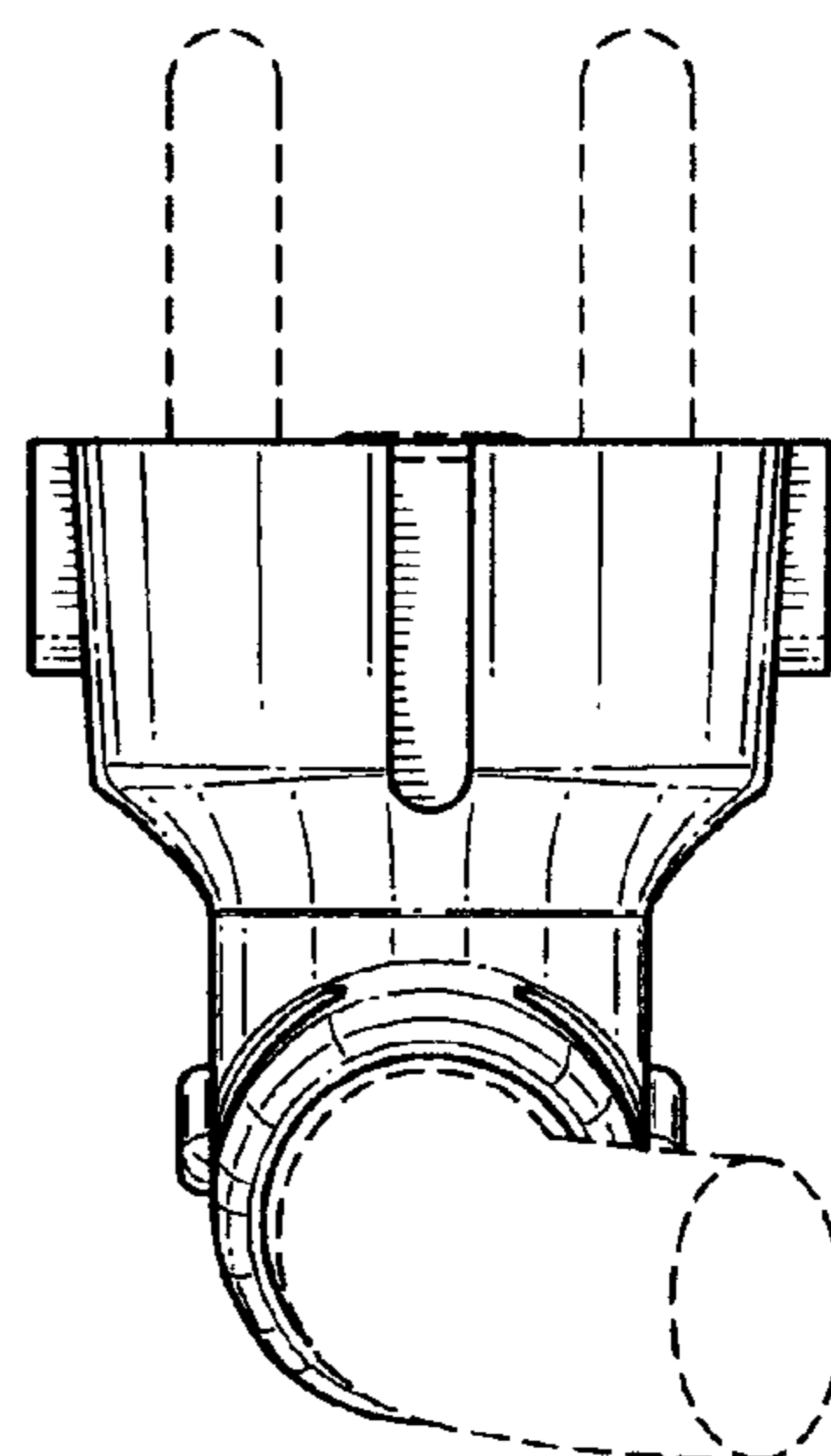


FIG.5

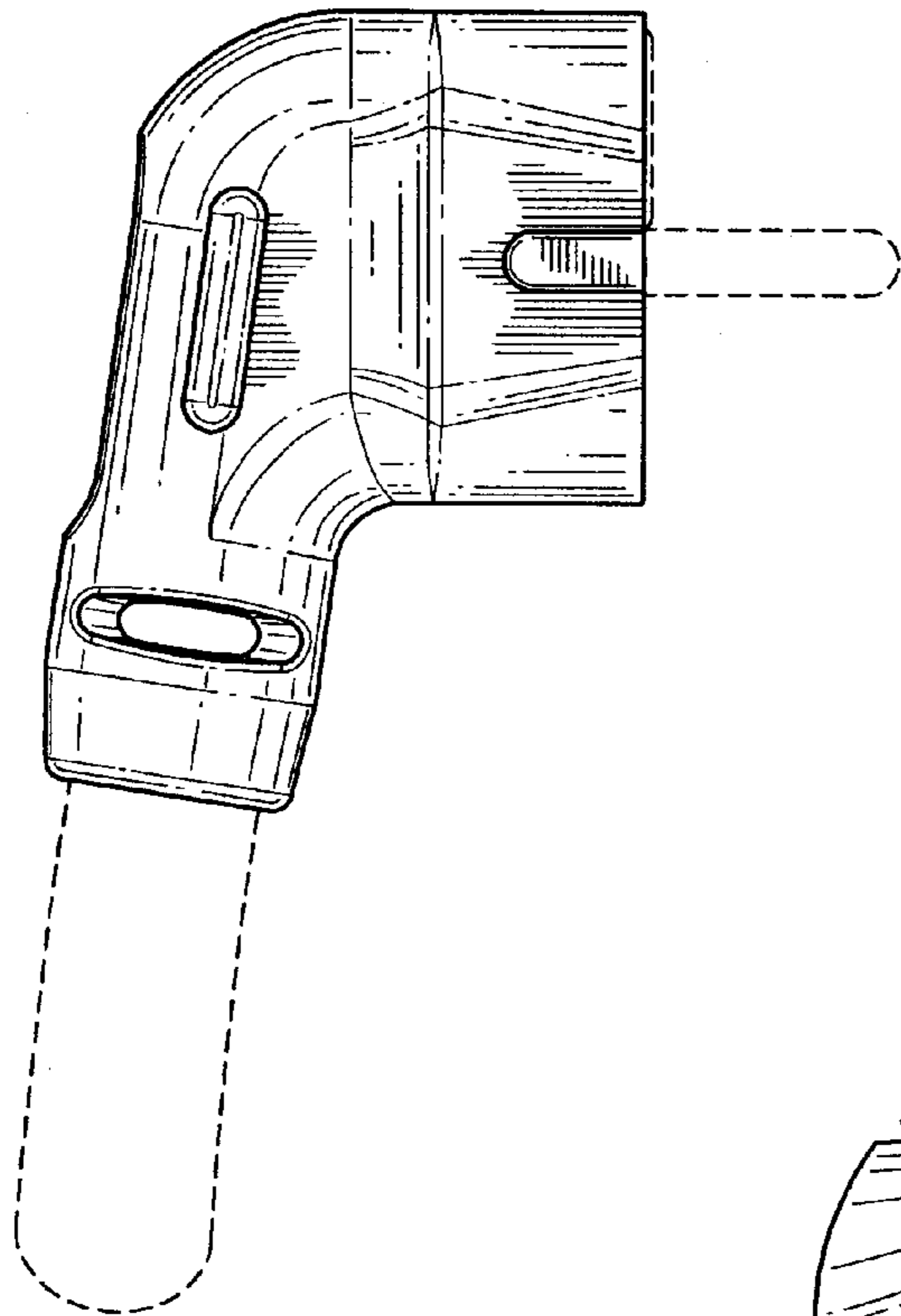


FIG.6

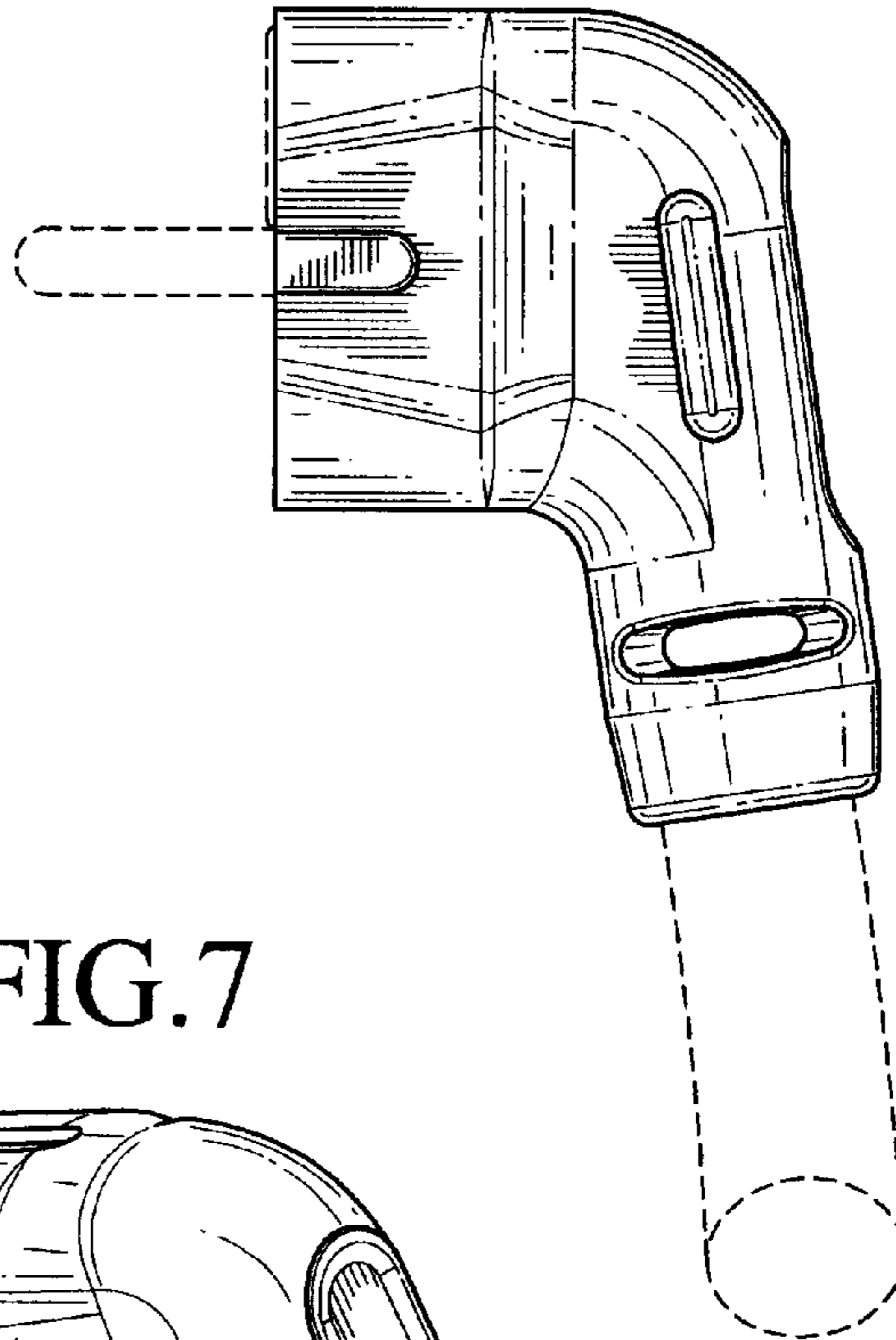


FIG.7

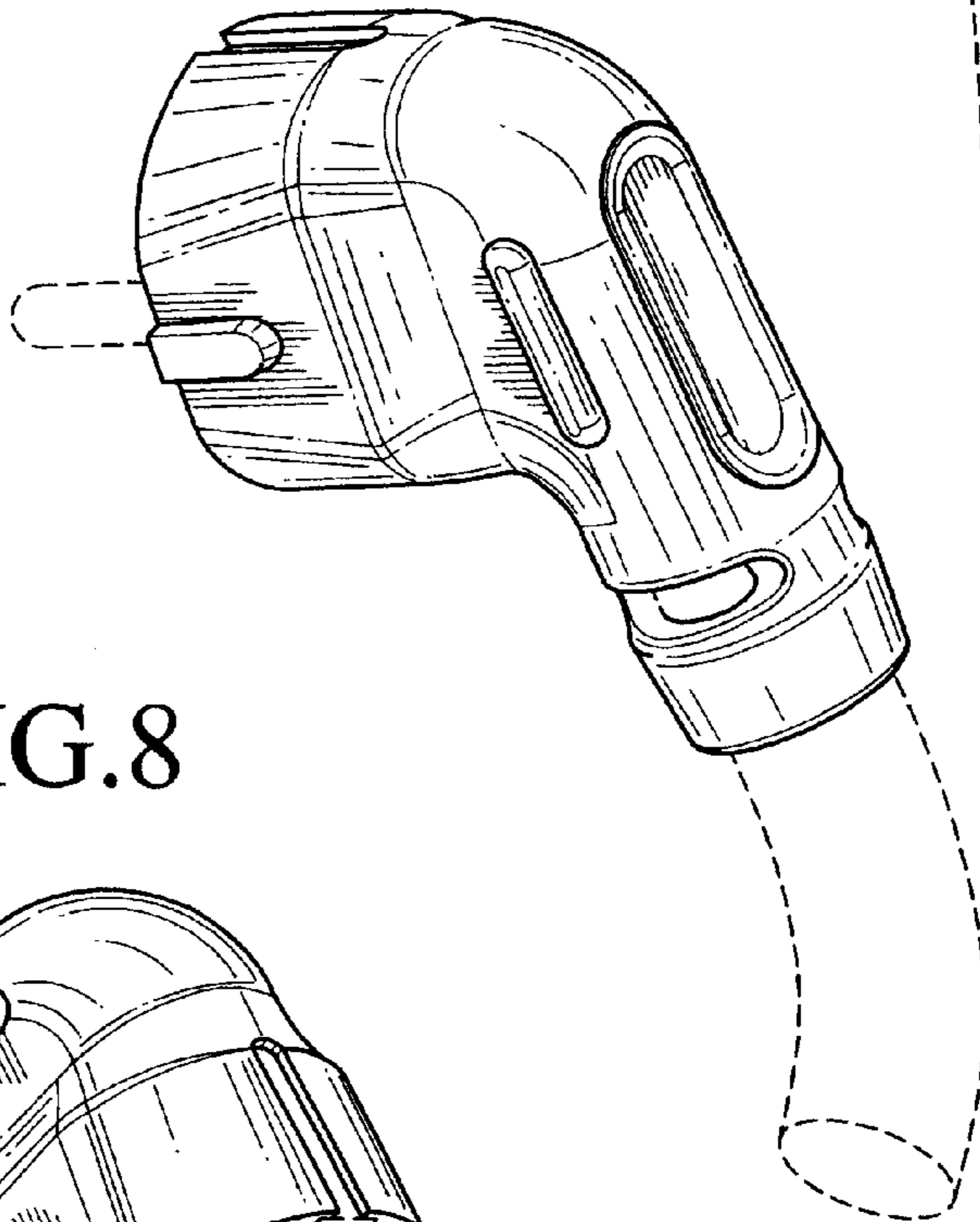


FIG.8

