



US00D537782S

(12) **United States Design Patent**  
**Kikuchi**

(10) **Patent No.:** **US D537,782 S**

(45) **Date of Patent:** **\*\* Mar. 6, 2007**

(54) **SPEAKER TERMINAL**

(75) Inventor: **Eiji Kikuchi**, Tokyo (JP)

(73) Assignee: **Nippon Disc Co., Ltd.**, Tokyo (JP)

(\*\*) Term: **14 Years**

(21) Appl. No.: **29/240,705**

(22) Filed: **Oct. 18, 2005**

(30) **Foreign Application Priority Data**

Apr. 18, 2005 (JP) ..... 2005-014438

(51) **LOC (8) Cl.** ..... **13-03**

(52) **U.S. Cl.** ..... **D13/133; D14/217**

(58) **Field of Classification Search** ..... D13/133,  
D13/138.1, 154, 184, 199; D14/204, 217,  
D14/221, 224, 483; 439/180, 225, 246, 278  
See application file for complete search history.

(56) **References Cited**

**U.S. PATENT DOCUMENTS**

4,878,848 A \* 11/1989 Ingalsbe ..... 439/76.1  
D356,066 S \* 3/1995 Rao et al. .... D13/160  
D360,401 S \* 7/1995 Chen ..... D13/138.1  
D366,878 S \* 2/1996 Wakabayashi et al. .... D14/242

D389,121 S \* 1/1998 Kuprewicz et al. .... D13/133  
D394,426 S \* 5/1998 Akins ..... D13/133  
D400,172 S \* 10/1998 Aromin ..... D13/138.1  
D408,786 S \* 4/1999 Goto ..... D13/138.1

\* cited by examiner

*Primary Examiner*—Prabhakar Deshmukh

*Assistant Examiner*—Daniel Bui

(74) *Attorney, Agent, or Firm*—Westerman, Hattori,  
Daniels & Adrian, LLP.

(57) **CLAIM**

An ornamental design for a speaker terminal, as shown and described.

**DESCRIPTION**

FIG. 1 is a front view of a speaker terminal showing my new design;

FIG. 2 is a rear elevation view thereof;

FIG. 3 is a left side elevation view thereof;

FIG. 4 is a right side elevation view thereof;

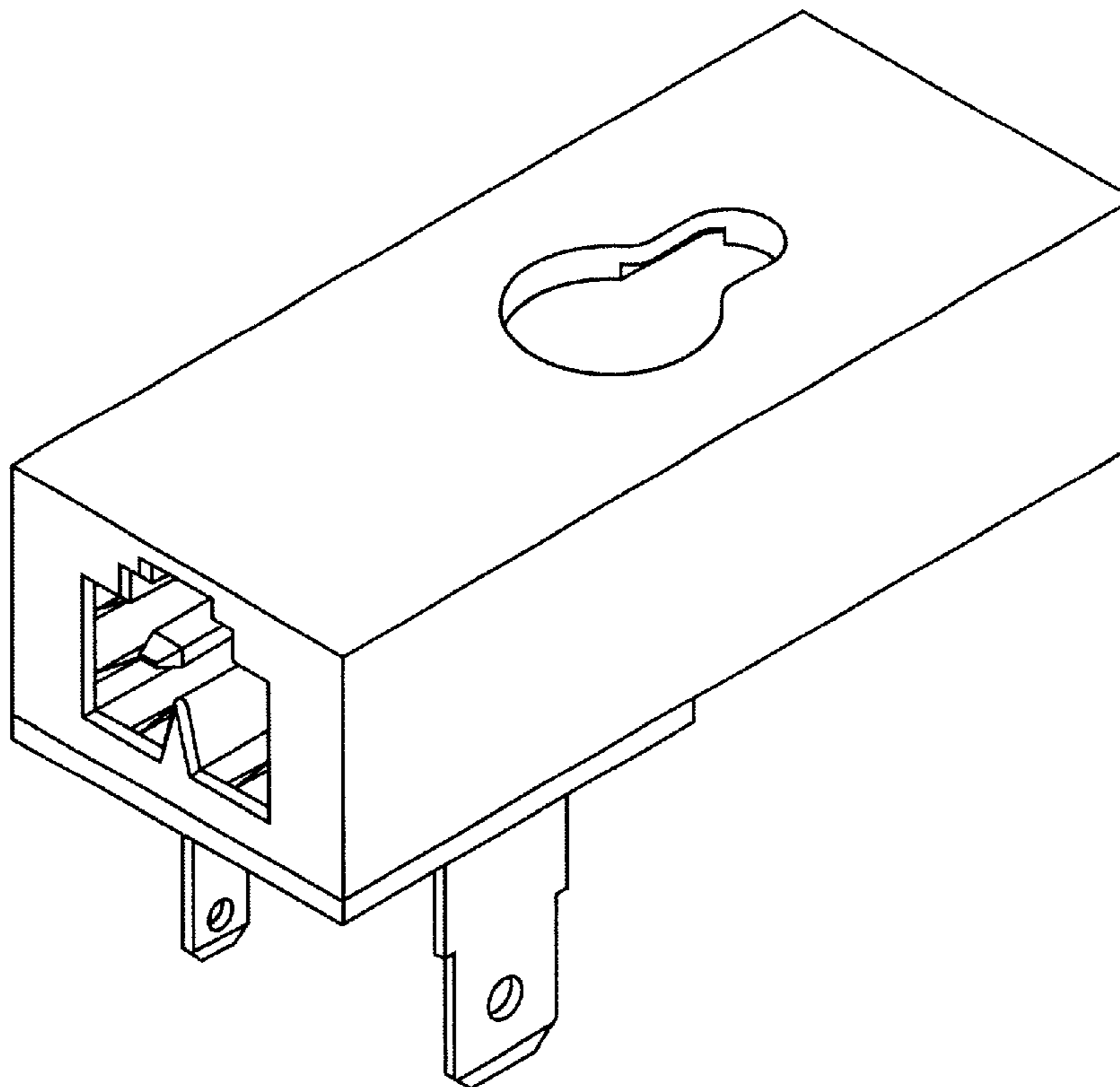
FIG. 5 is a bottom plan view thereof;

FIG. 6 is a top plan view thereof;

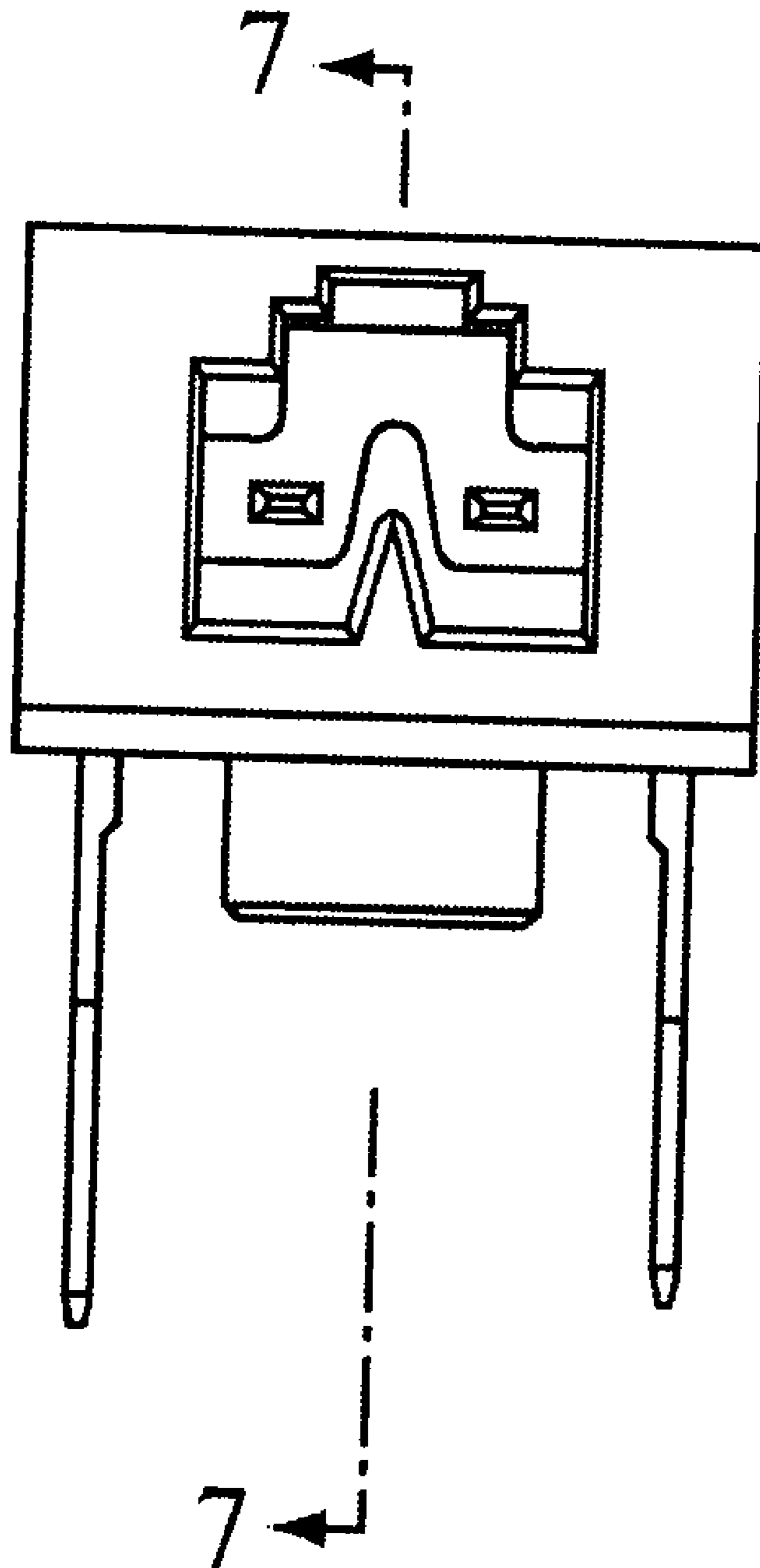
FIG. 7 is a cross sectional view taken along line 7—7 of FIG. 1; and,

FIG. 8 is a perspective view thereof.

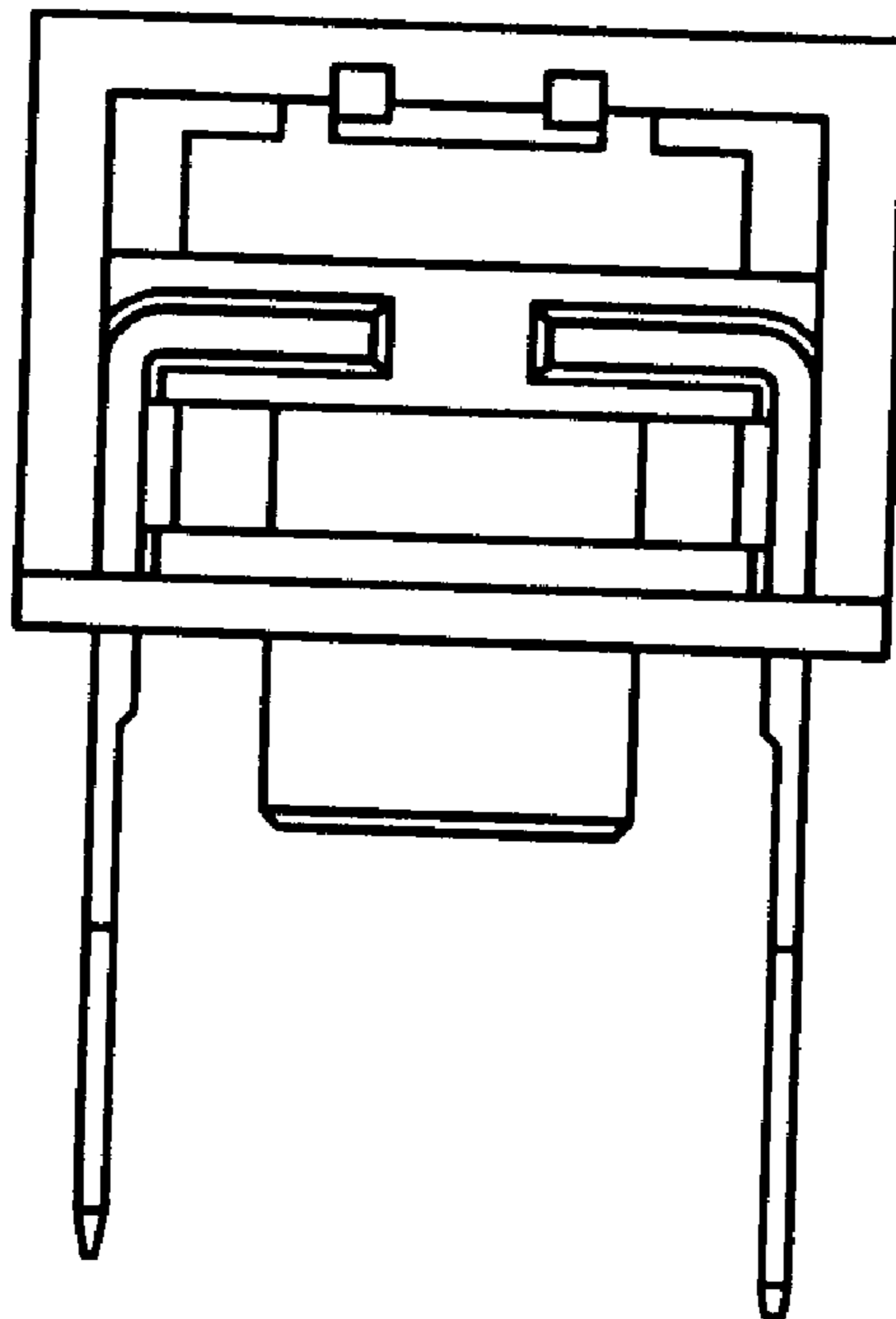
**1 Claim, 8 Drawing Sheets**



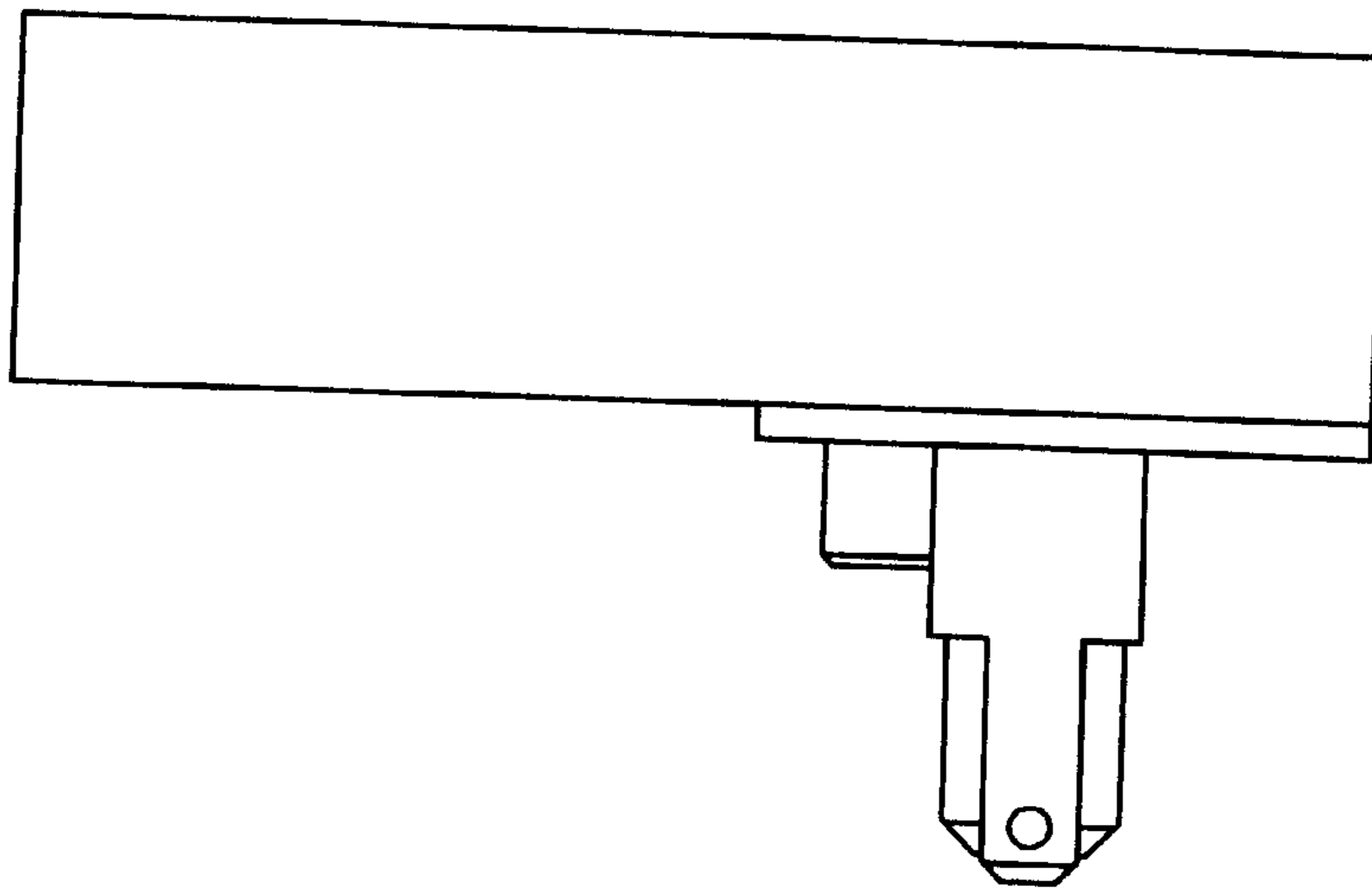
# FIG. 1



# FIG. 2



**FIG. 3**



**FIG. 4**

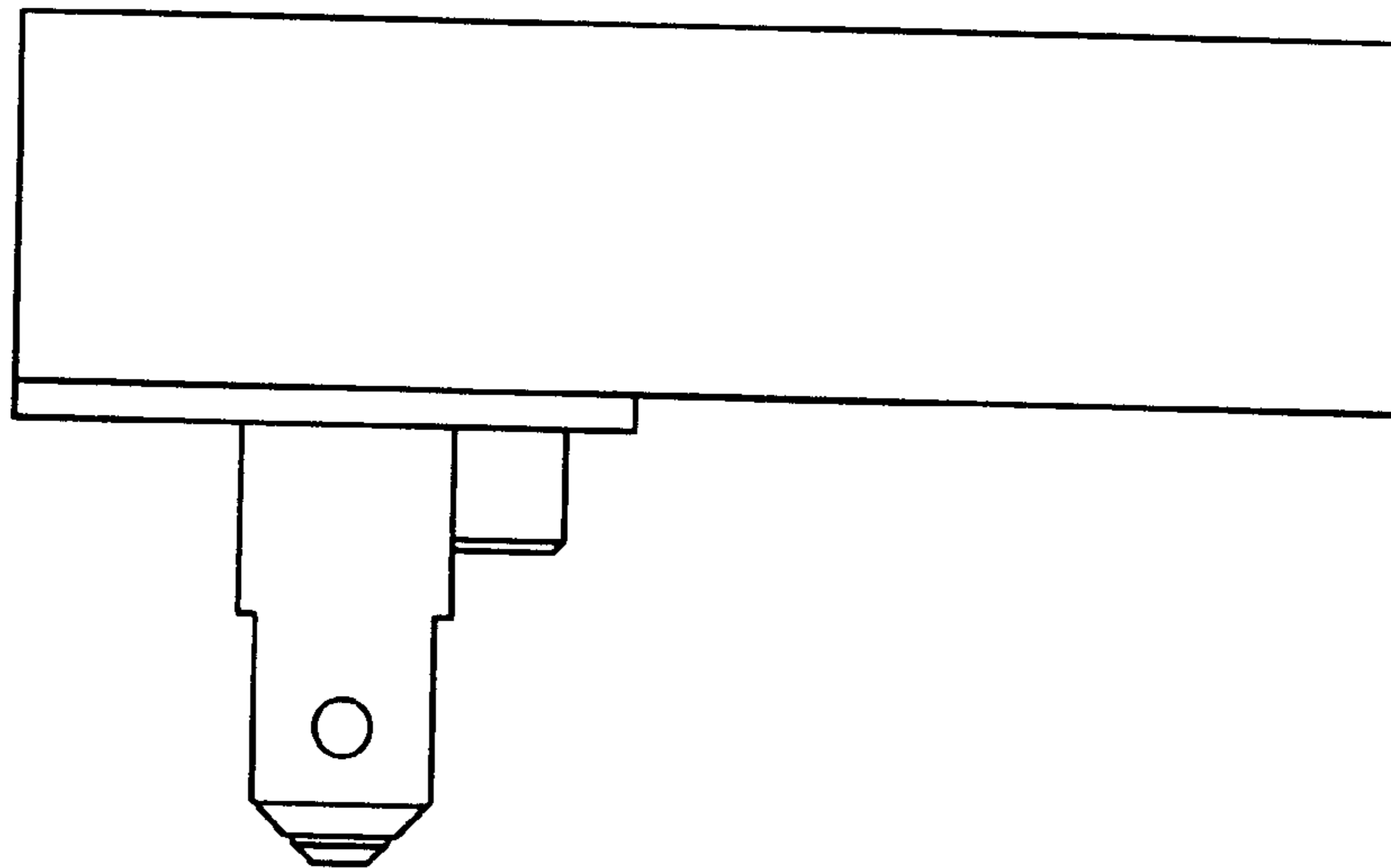
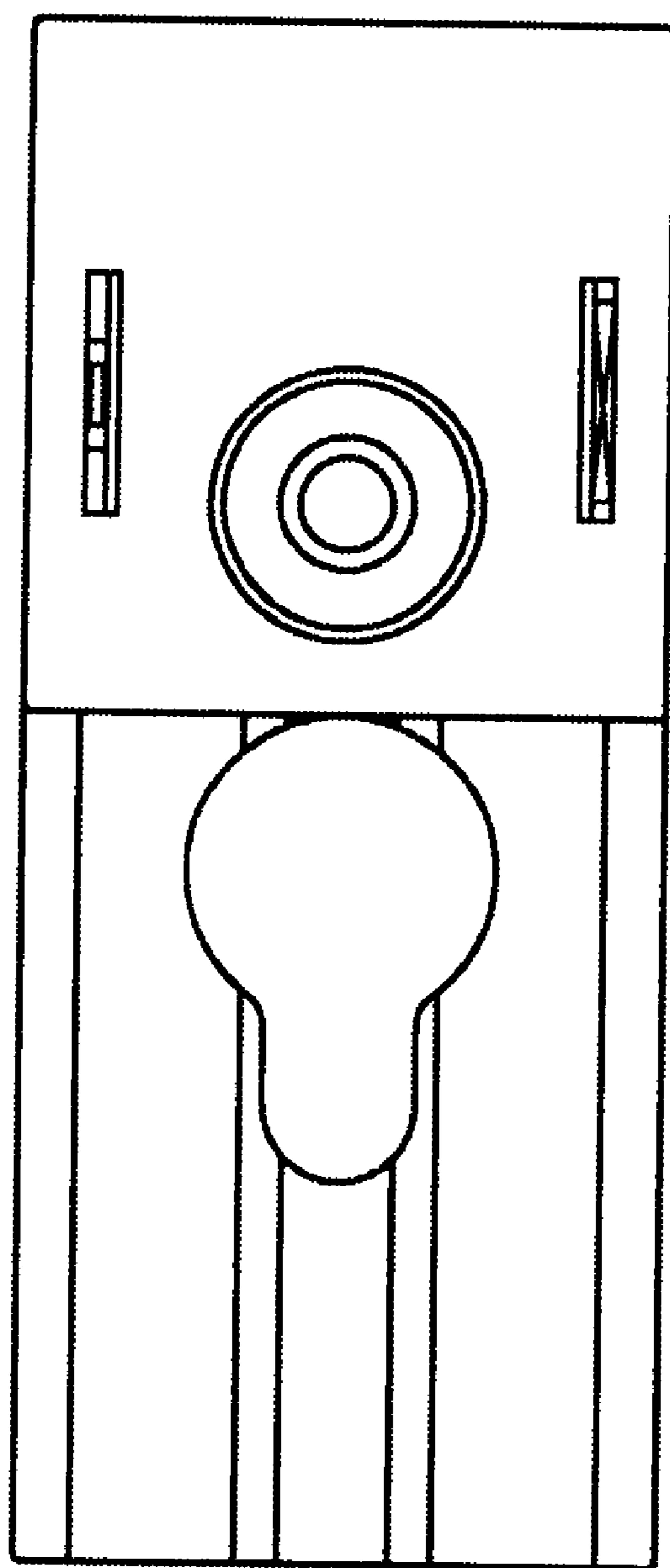
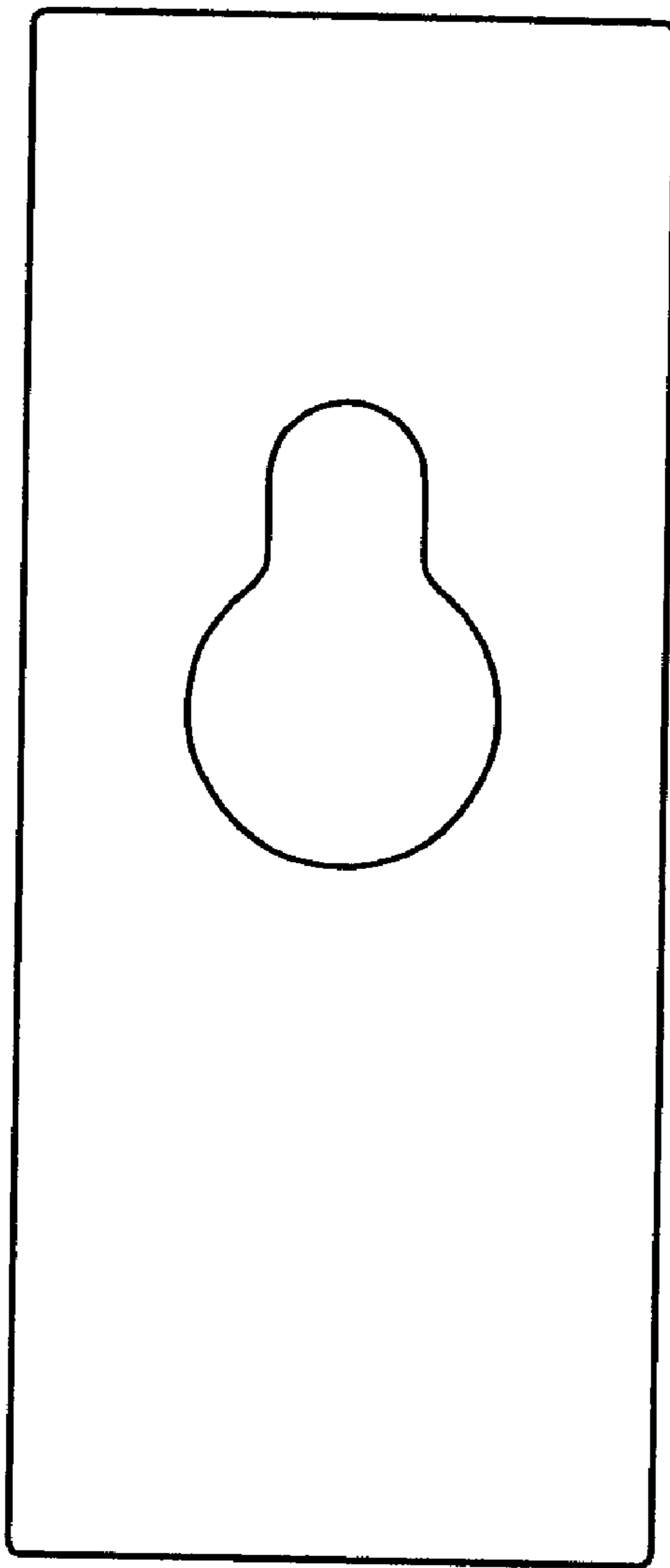


FIG. 5



# FIG. 6



**FIG. 7**

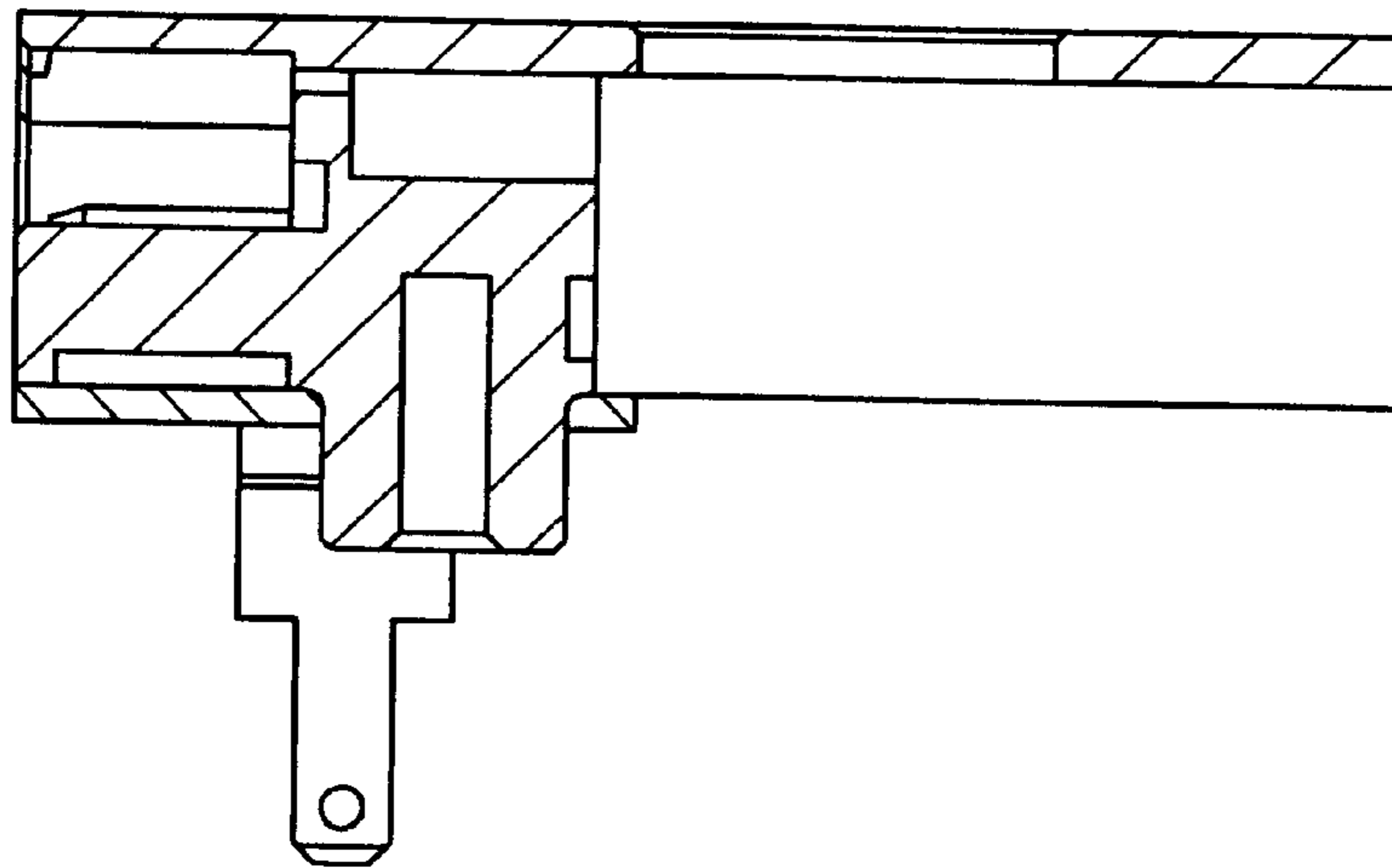




FIG. 8

