



US00D537781S

(12) **United States Design Patent**  
**Tamura**

(10) **Patent No.:** **US D537,781 S**

(45) **Date of Patent:** **\*\* \*Mar. 6, 2007**

(54) **HOUSING FOR ELECTRICAL CONNECTOR**

(75) Inventor: **Shigenori Tamura**, Toyama (JP)

(73) Assignee: **SMK Corporation**, Tokyo (JP)

(\*) Notice: This patent is subject to a terminal disclaimer.

(\*\*) Term: **14 Years**

(21) Appl. No.: **29/233,743**

(22) Filed: **Jul. 11, 2005**

(51) **LOC (8) Cl.** ..... **13-03**

(52) **U.S. Cl.** ..... **D13/133**

(58) **Field of Classification Search** ..... D13/133,  
D13/146-147, 153-154, 184, 199; 439/248,  
439/357, 680, 723

See application file for complete search history.

(56) **References Cited**

**U.S. PATENT DOCUMENTS**

- D271,196 S \* 11/1983 Tetreault ..... D13/133
- D302,421 S \* 7/1989 Ichitsubo ..... D13/133
- D318,718 S \* 7/1991 Blatt ..... D23/262

- D319,813 S \* 9/1991 Kozono ..... D13/133
- D324,028 S \* 2/1992 Sueyoshi et al. .... D13/133
- D367,645 S \* 3/1996 Hashizawa et al. .... D13/146
- D474,447 S \* 5/2003 Kano ..... D13/133
- D475,014 S \* 5/2003 Kano ..... D13/133
- 2006/0110978 A1 \* 5/2006 Fan et al. .... 439/607

\* cited by examiner

*Primary Examiner*—Daniel Bui

(74) *Attorney, Agent, or Firm*—Sughrue Mion, PLLC

(57) **CLAIM**

The ornamental design for a housing for electrical connector, as shown.

**DESCRIPTION**

FIG. 1 is a perspective view of the bottom, front and right side of a housing for electrical connector showing my new design;

FIG. 2 is a front elevational view thereof;

FIG. 3 is a rear elevational view thereof;

FIG. 4 is a top plan view thereof;

FIG. 5 is a bottom plan view thereof;

FIG. 6 is a left side elevational view thereof; and,

FIG. 7 is a right side elevational view thereof.

**1 Claim, 2 Drawing Sheets**

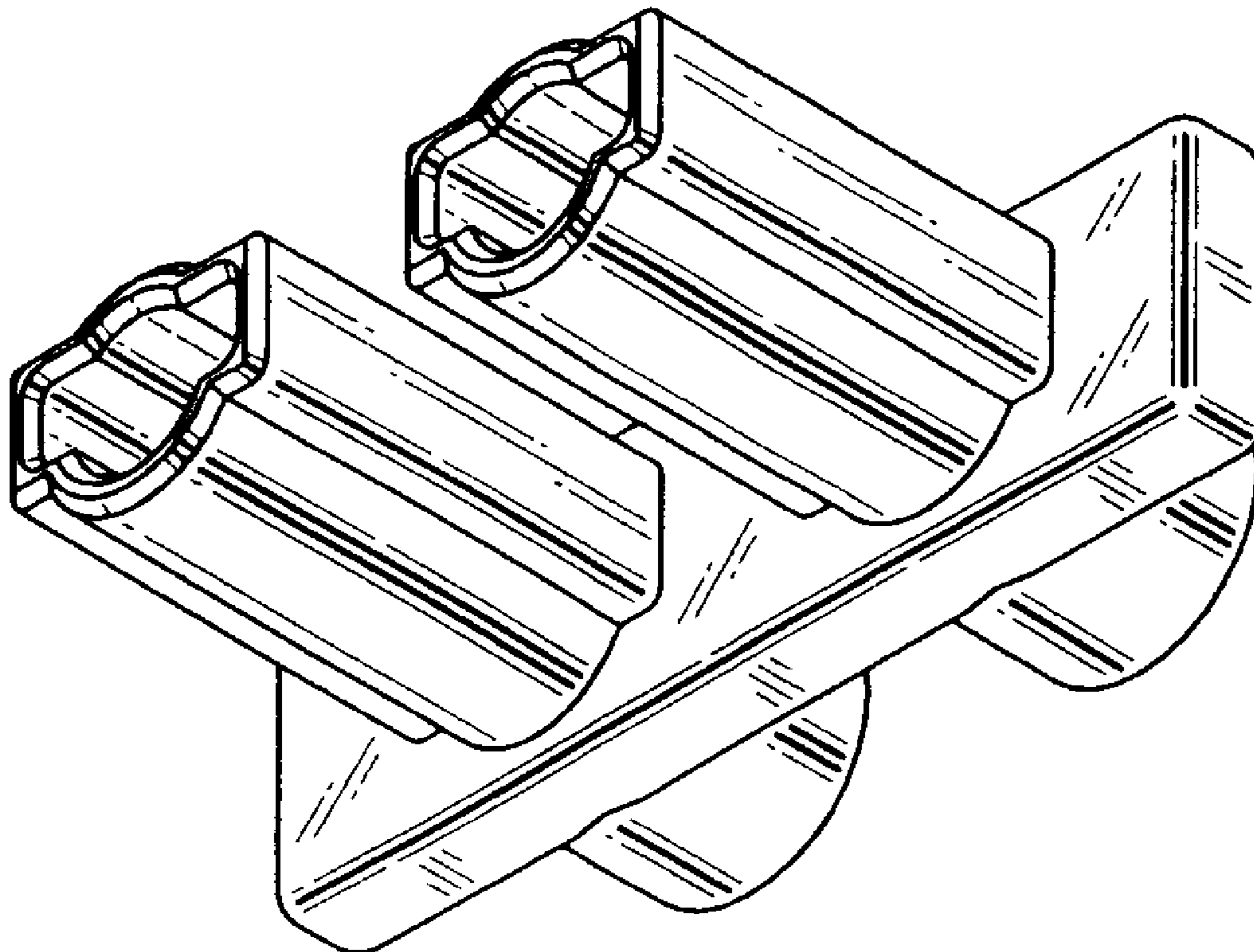


FIG. 1

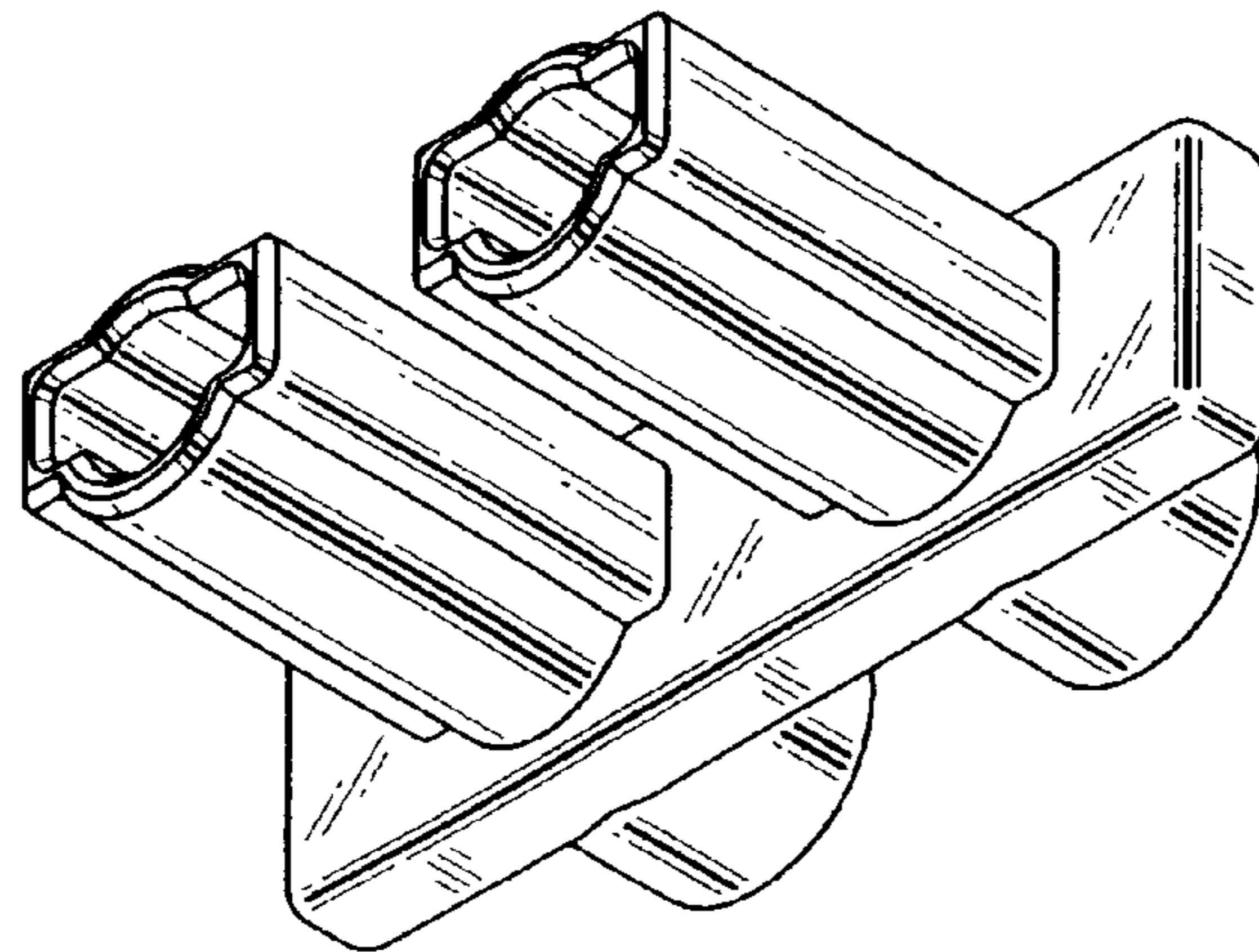


FIG. 2

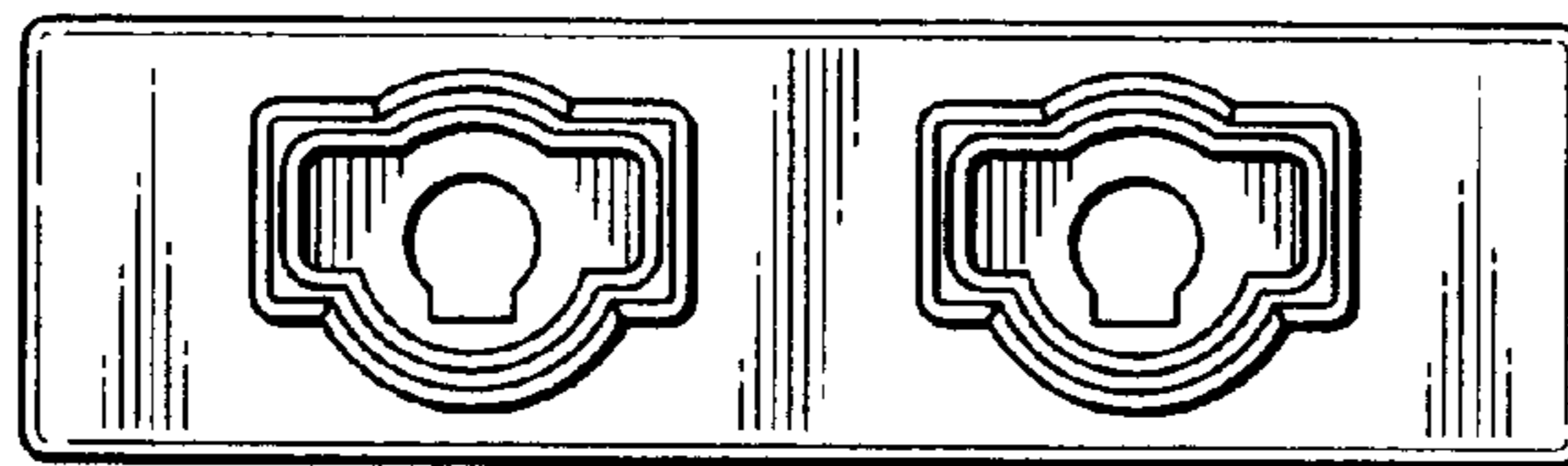


FIG. 3

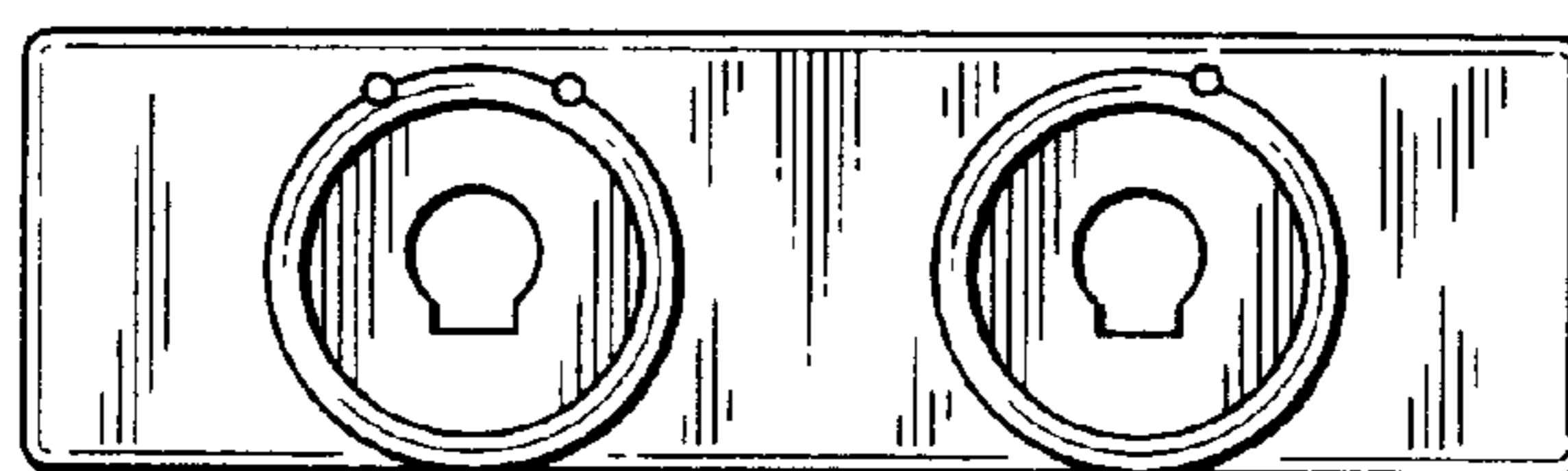


FIG.4

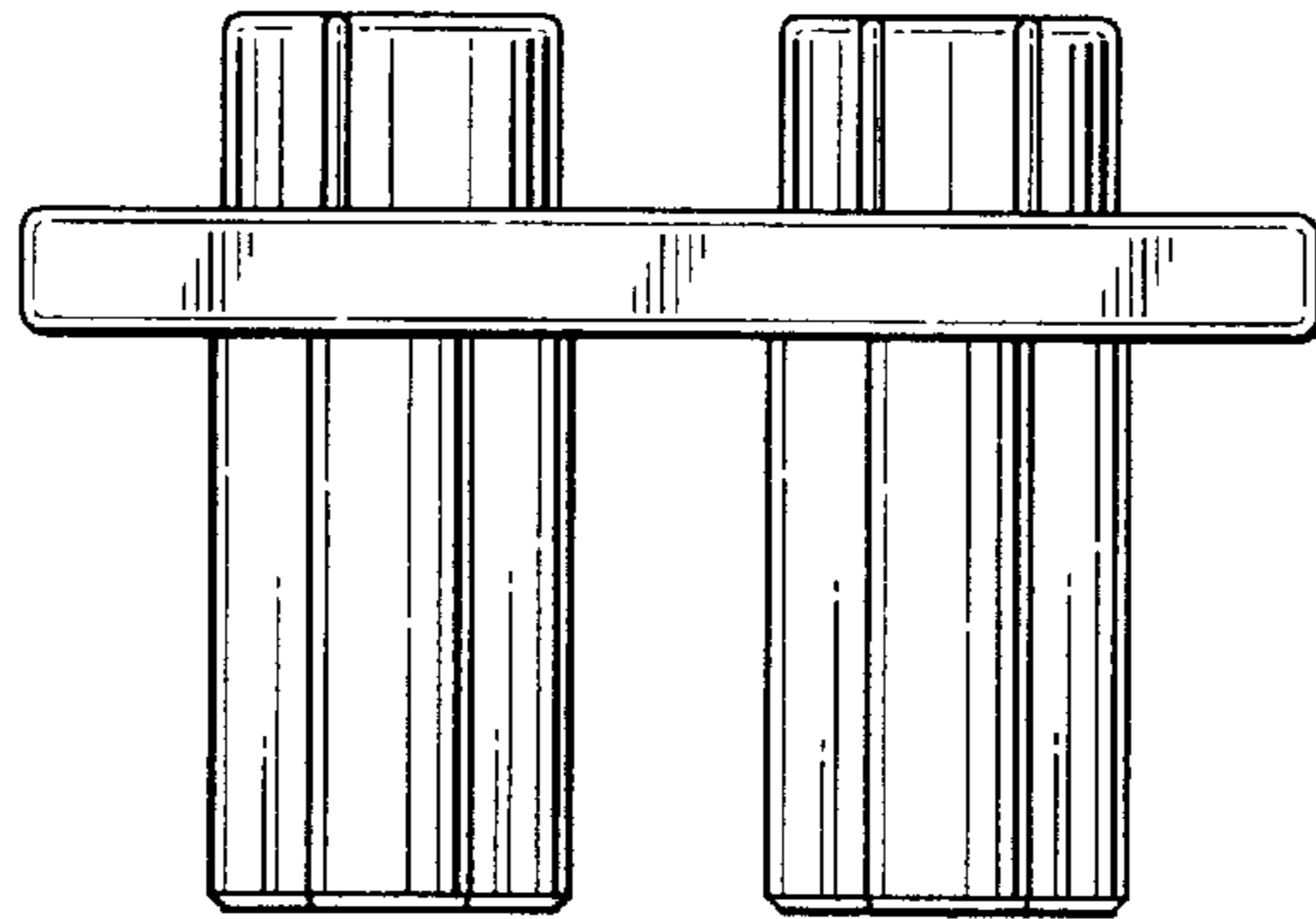


FIG.5

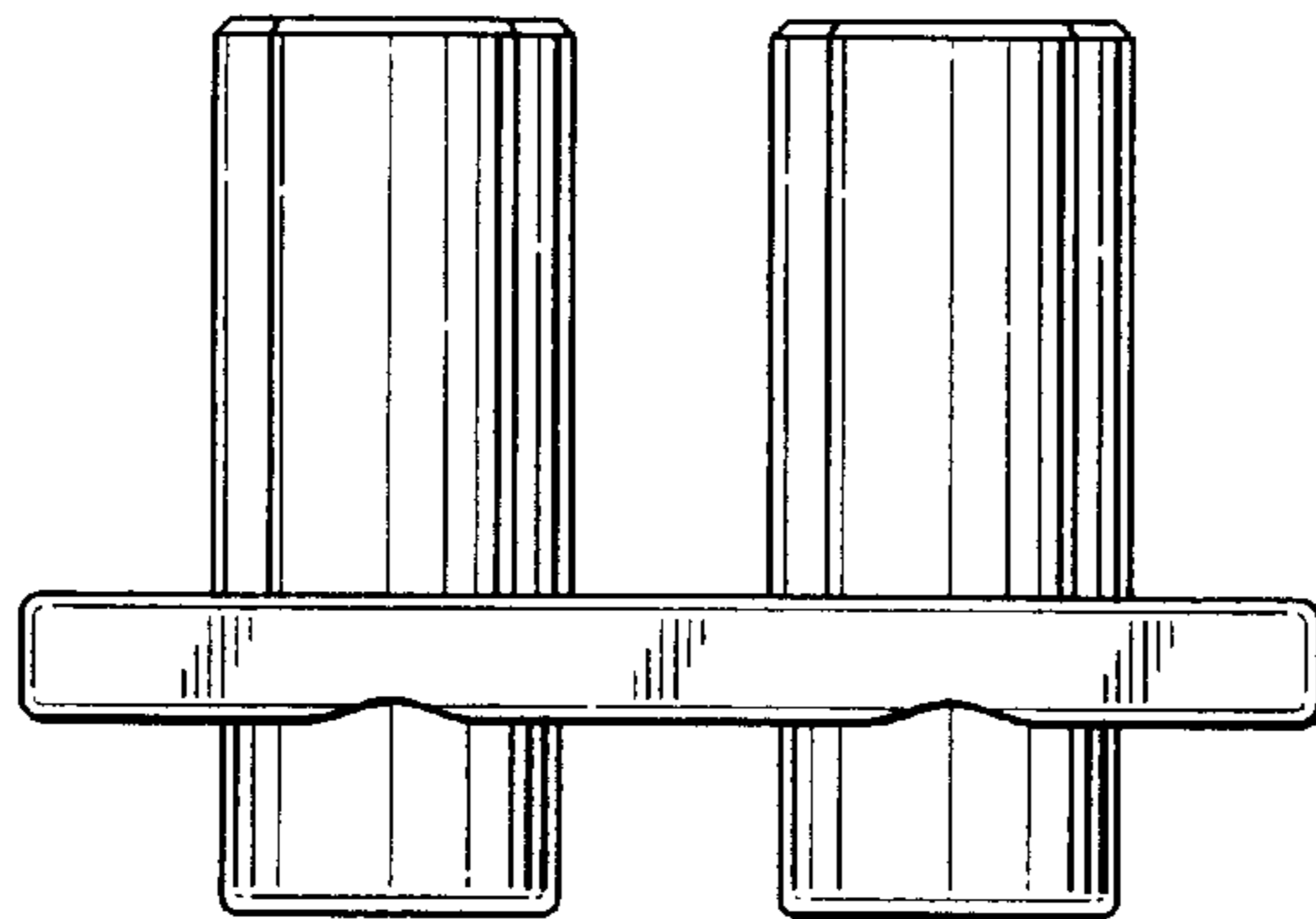


FIG.6

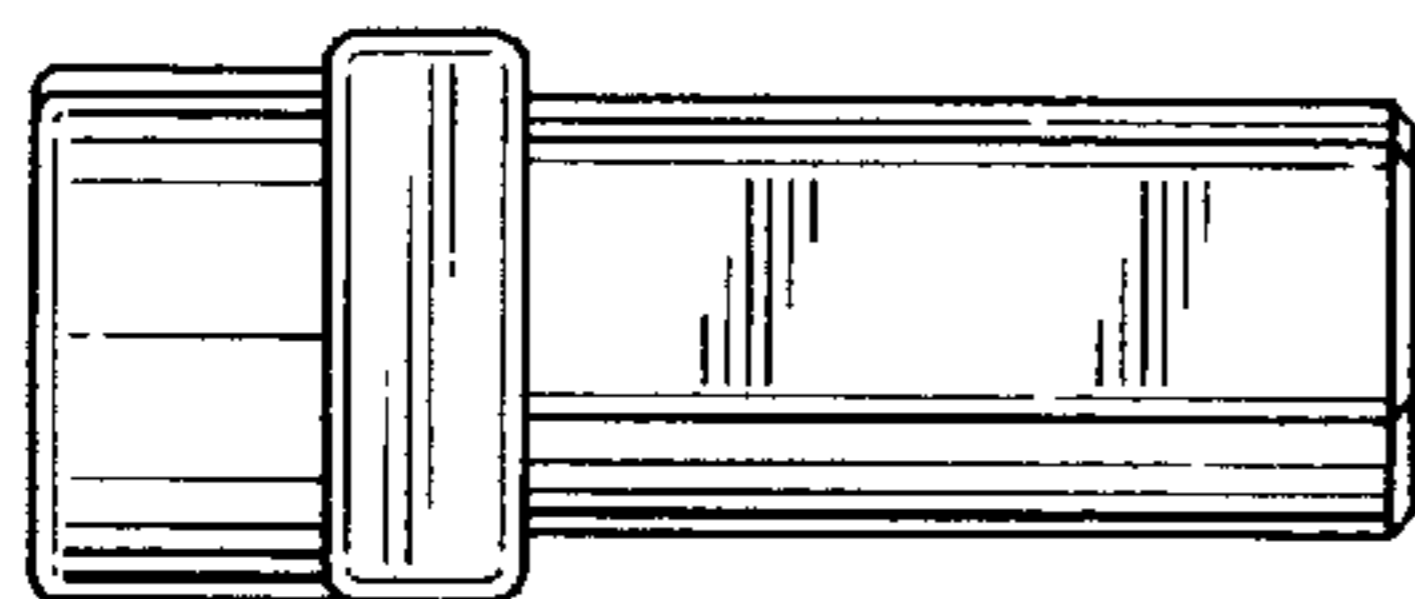


FIG.7

