



US00D537774S

(12) **United States Design Patent**  
**Hussaini et al.**

(10) **Patent No.:** **US D537,774 S**  
(45) **Date of Patent:** **\*\* Mar. 6, 2007**

(54) **BATTERY PACK**  
(75) Inventors: **Saied Hussaini**, Miami, FL (US); **Marc Iacovelli**, Miami, FL (US)  
(73) Assignee: **Intec, Inc.**, Miami, FL (US)  
(\*\*) Term: **14 Years**

D403,655 S \* 1/1999 Johansson ..... D13/103  
D409,136 S \* 5/1999 Sumita et al. .... D13/103  
D425,859 S \* 5/2000 Oliver et al. .... D13/119  
D439,879 S \* 4/2001 Rotundo ..... D13/103  
D468,260 S \* 1/2003 Lee ..... D13/119  
D525,593 S \* 7/2006 Bailey ..... D13/177  
2005/0147875 A1 \* 7/2005 Chang et al. .... 429/100

\* cited by examiner

(21) Appl. No.: **29/251,989**  
(22) Filed: **Jan. 18, 2006**

*Primary Examiner*—Alan P. Douglas  
*Assistant Examiner*—Rosemary K. Tarcza  
(74) *Attorney, Agent, or Firm*—Berenato, White & Stavish

(51) **LOC (8) Cl.** ..... **13-02**  
(52) **U.S. Cl.** ..... **D13/103**  
(58) **Field of Classification Search** ..... D13/102–106,  
D13/110, 118–119, 184; 429/96–100, 163,  
429/176

(57) **CLAIM**

The ornamental design for a battery pack, as shown and described.

See application file for complete search history.

**DESCRIPTION**

(56) **References Cited**

U.S. PATENT DOCUMENTS

D374,424 S \* 10/1996 Nagele et al. .... D13/103  
D374,860 S \* 10/1996 Amero et al. .... D13/103  
D376,127 S \* 12/1996 Nagele et al. .... D13/103  
D390,825 S \* 2/1998 Chen ..... D13/110  
D398,579 S \* 9/1998 Chaco ..... D13/119  
D401,554 S \* 11/1998 Nagele et al. .... D13/119

FIG. 1 is a perspective view of the battery pack according to the present invention.

FIG. 2 is a front view of the battery pack of FIG. 1.

FIG. 3 is a rear view of the battery pack of FIG. 1.

FIG. 4 is a right side view of the battery pack of FIG. 1.

FIG. 5 is a left side view of the battery pack of FIG. 1.

FIG. 6 is a top view of the battery pack of FIG. 1; and,

FIG. 7 is a bottom view of the battery pack of FIG. 1.

**1 Claim, 3 Drawing Sheets**

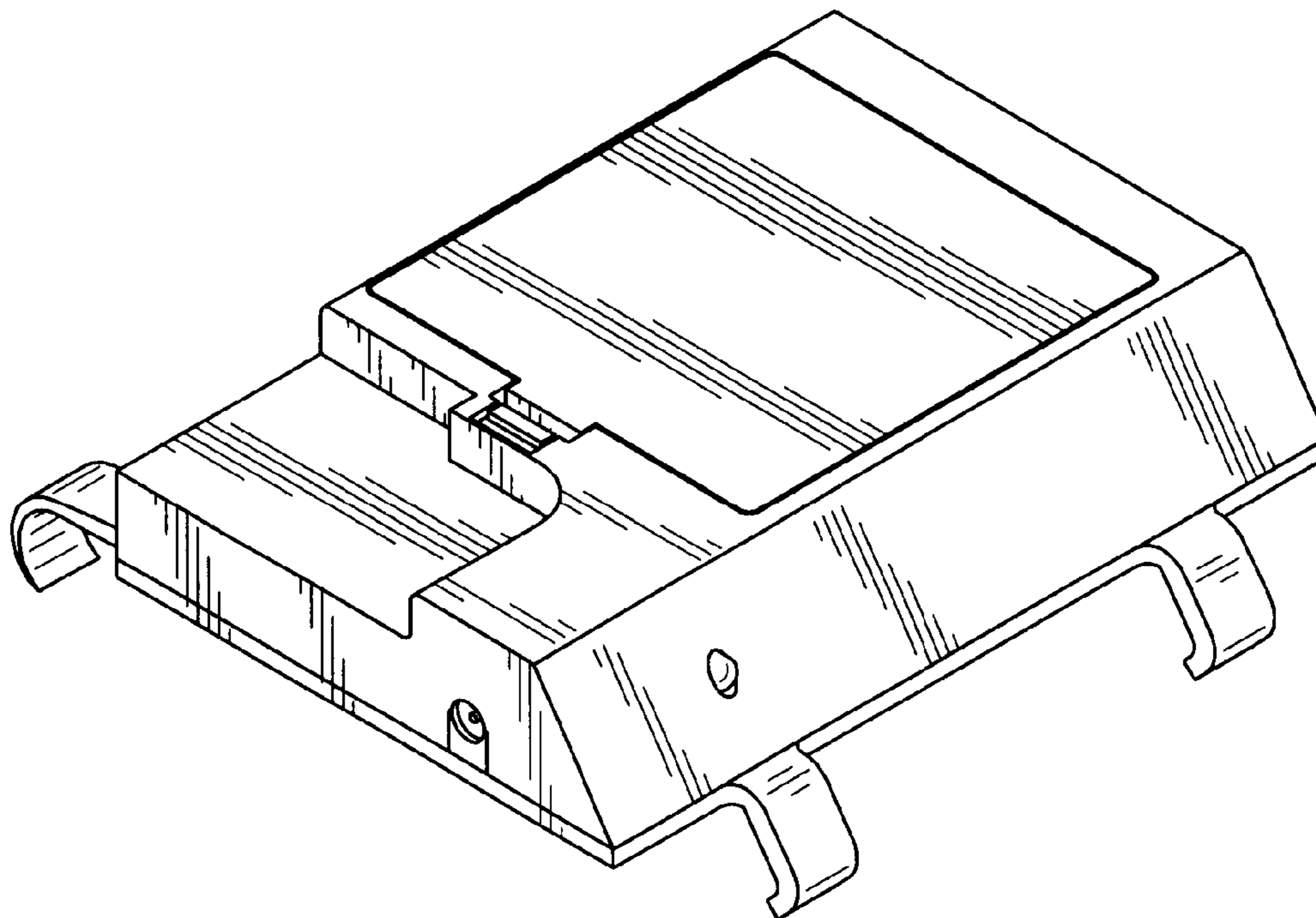


Fig. 1

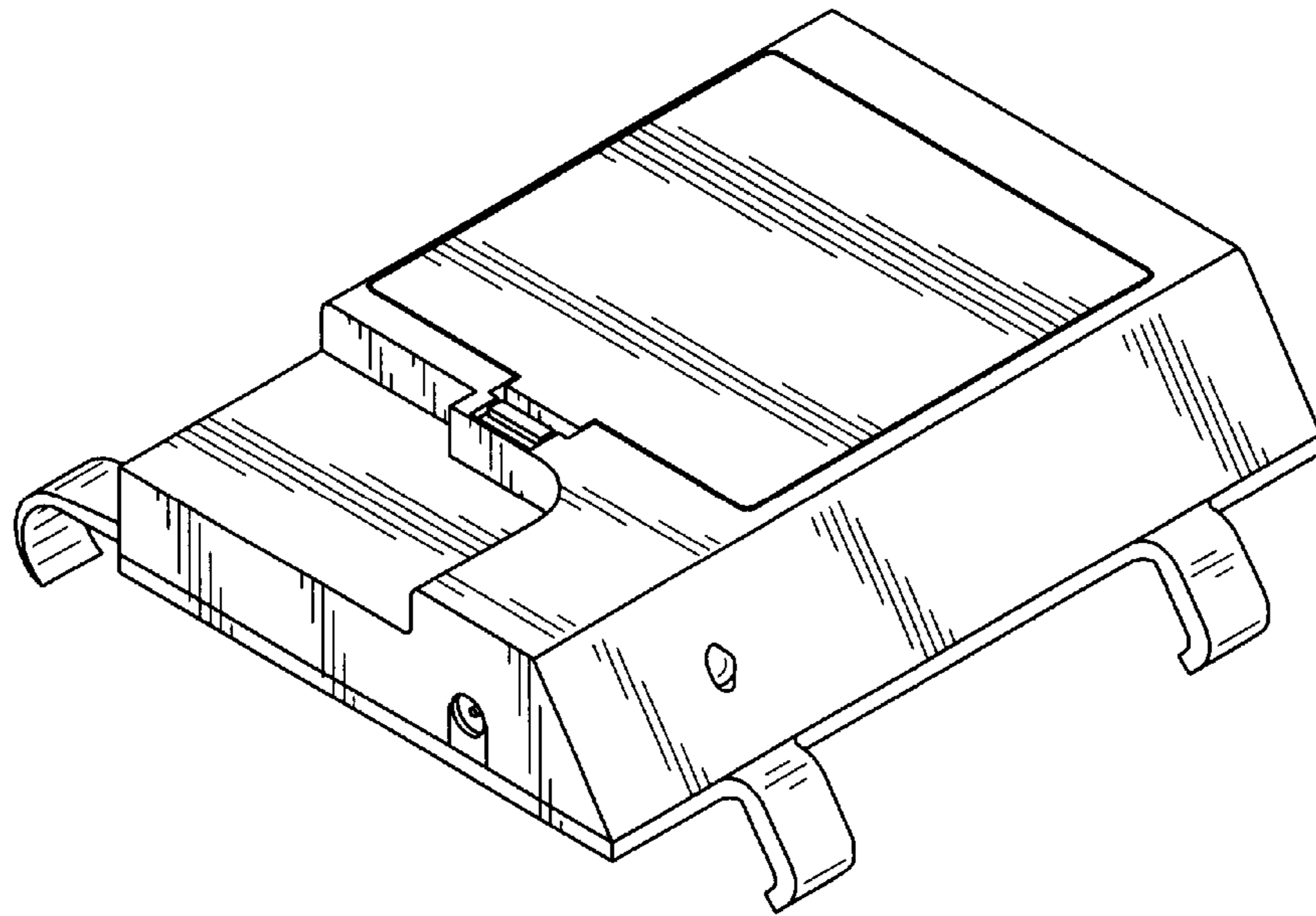


Fig. 2

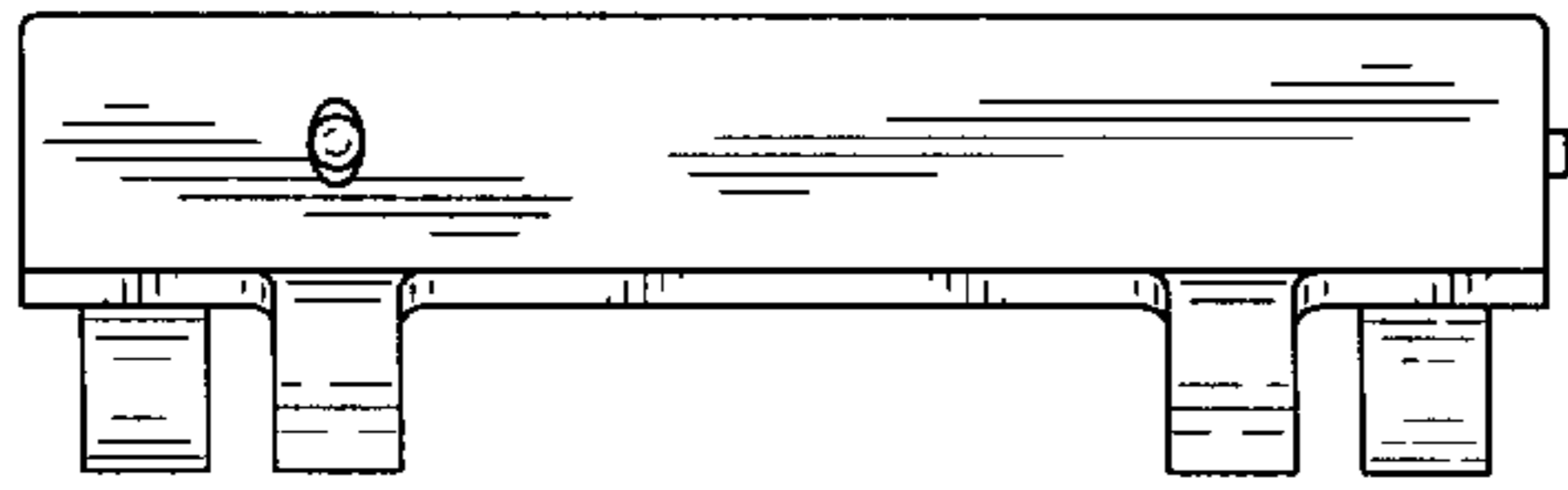


Fig. 3

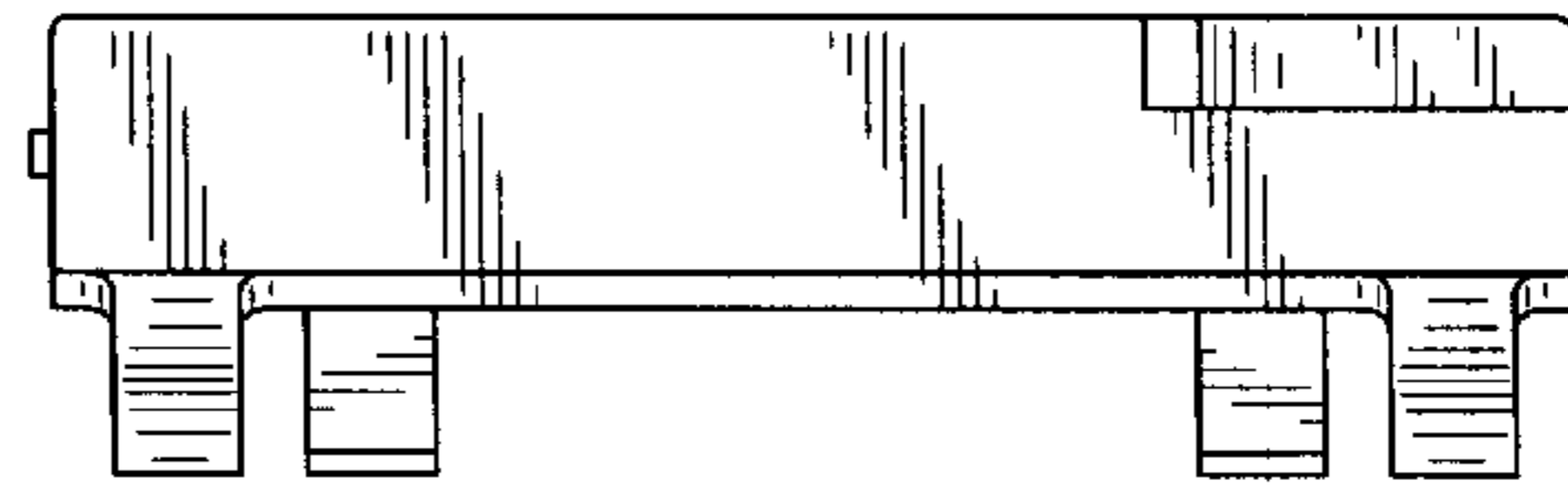


Fig. 4

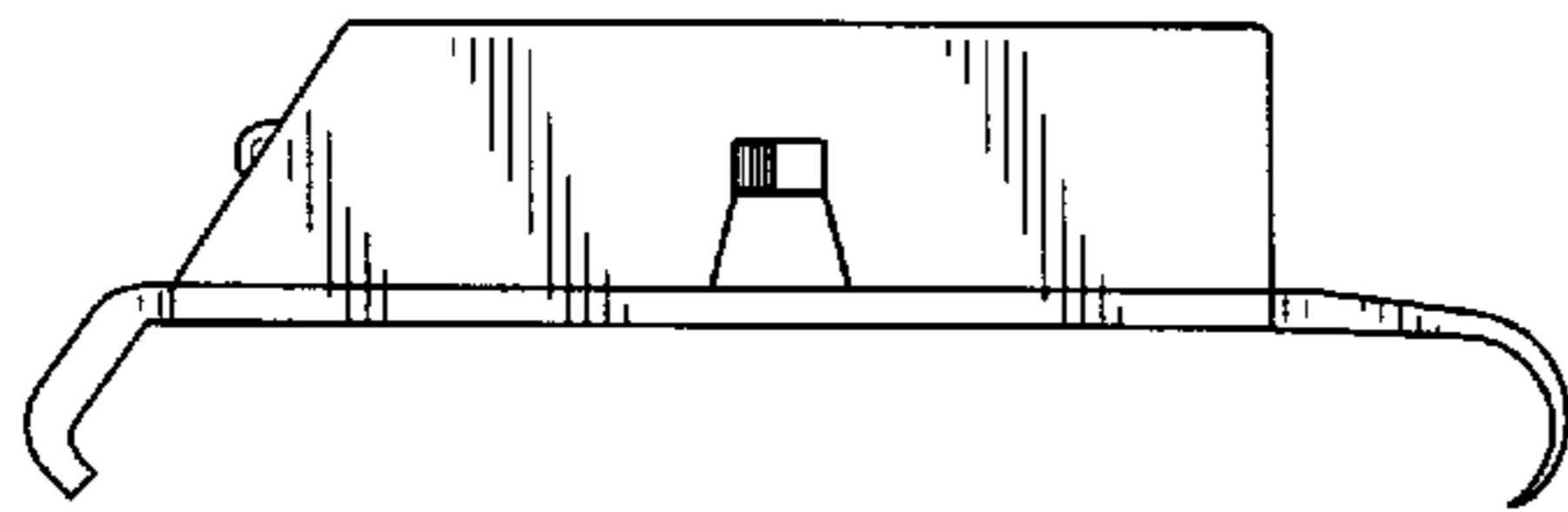


Fig. 5



Fig. 6

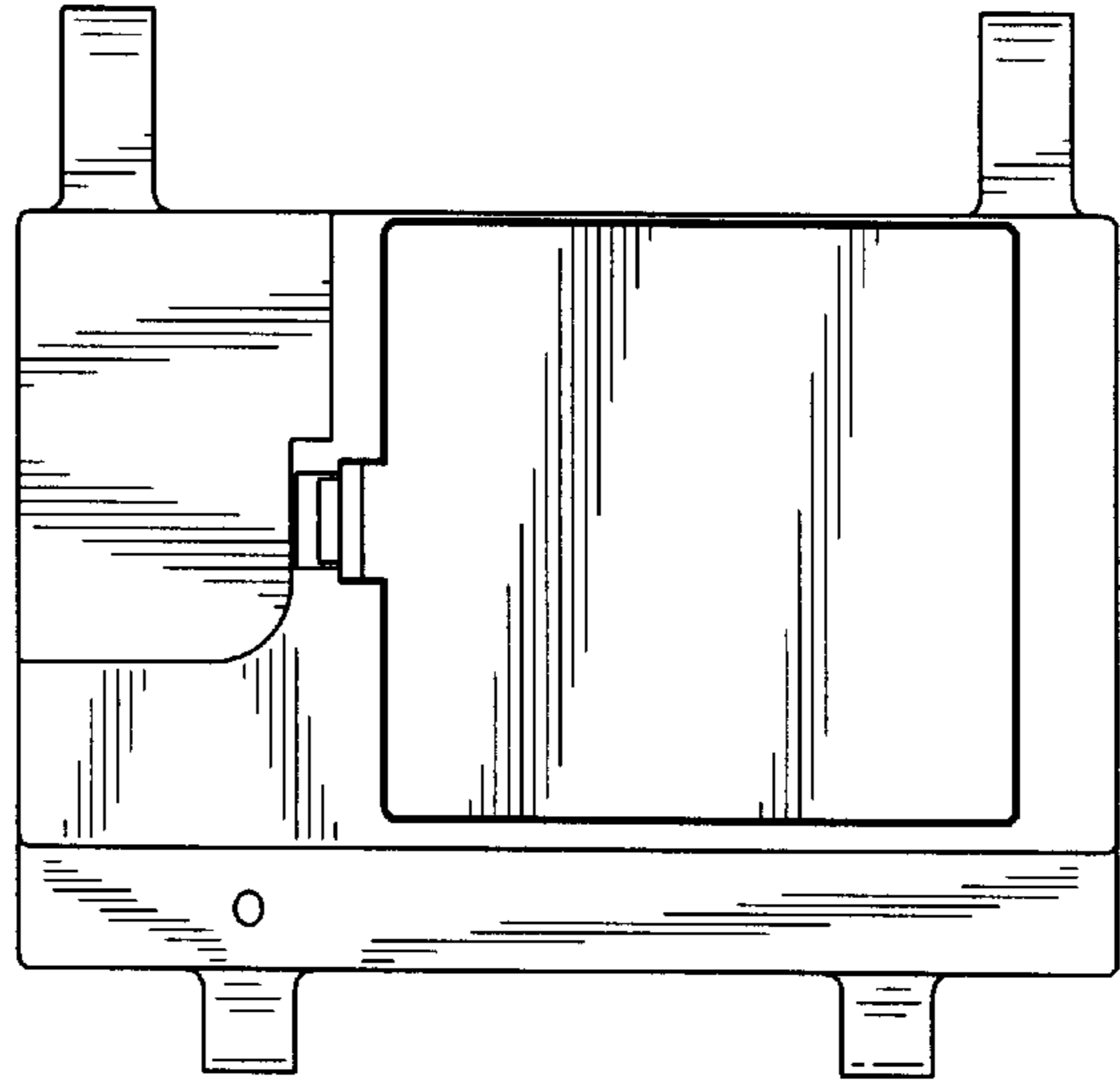


Fig. 7

