



US00D537766S

(12) **United States Design Patent**  
**Laengerer et al.**

(10) **Patent No.:** **US D537,766 S**

(45) **Date of Patent:** **\*\* Mar. 6, 2007**

(54) **FRONT FACE OF A VEHICLE WHEEL**

(75) Inventors: **Marcus Laengerer**, Renningen (DE);  
**Armin Scheu**, Stuttgart (DE)

(73) Assignee: **DaimlerChrysler AG**, Stuttgart (DE)

(\*\*) Term: **14 Years**

(21) Appl. No.: **29/259,676**

(22) Filed: **May 15, 2006**

(30) **Foreign Application Priority Data**

Nov. 16, 2005 (DE) ..... 40505831

(51) **LOC (8) Cl.** ..... **12-16**

(52) **U.S. Cl.** ..... **D12/211**

(58) **Field of Classification Search** ..... D12/204-213;  
301/37.101, 64.101, 65

See application file for complete search history.

(56) **References Cited**

**U.S. PATENT DOCUMENTS**

D451,066 S \* 11/2001 Pfeiffer et al. .... D12/211  
D481,348 S \* 10/2003 Kang ..... D12/211  
D501,817 S \* 2/2005 Pfeiffer ..... D12/211

D502,137 S \* 2/2005 Blum ..... D12/211  
D512,360 S \* 12/2005 Boyer ..... D12/211  
D514,050 S \* 1/2006 Scheu ..... D12/211  
D518,430 S \* 4/2006 Scheu ..... D12/211  
D520,934 S \* 5/2006 Szavits ..... D12/211  
D523,387 S \* 6/2006 Pfeiffer ..... D12/211

\* cited by examiner

*Primary Examiner*—Stacia Cadmus

(74) *Attorney, Agent, or Firm*—Crowell & Moring LLP

(57) **CLAIM**

The ornamental design for a front face of a vehicle wheel, as shown and described.

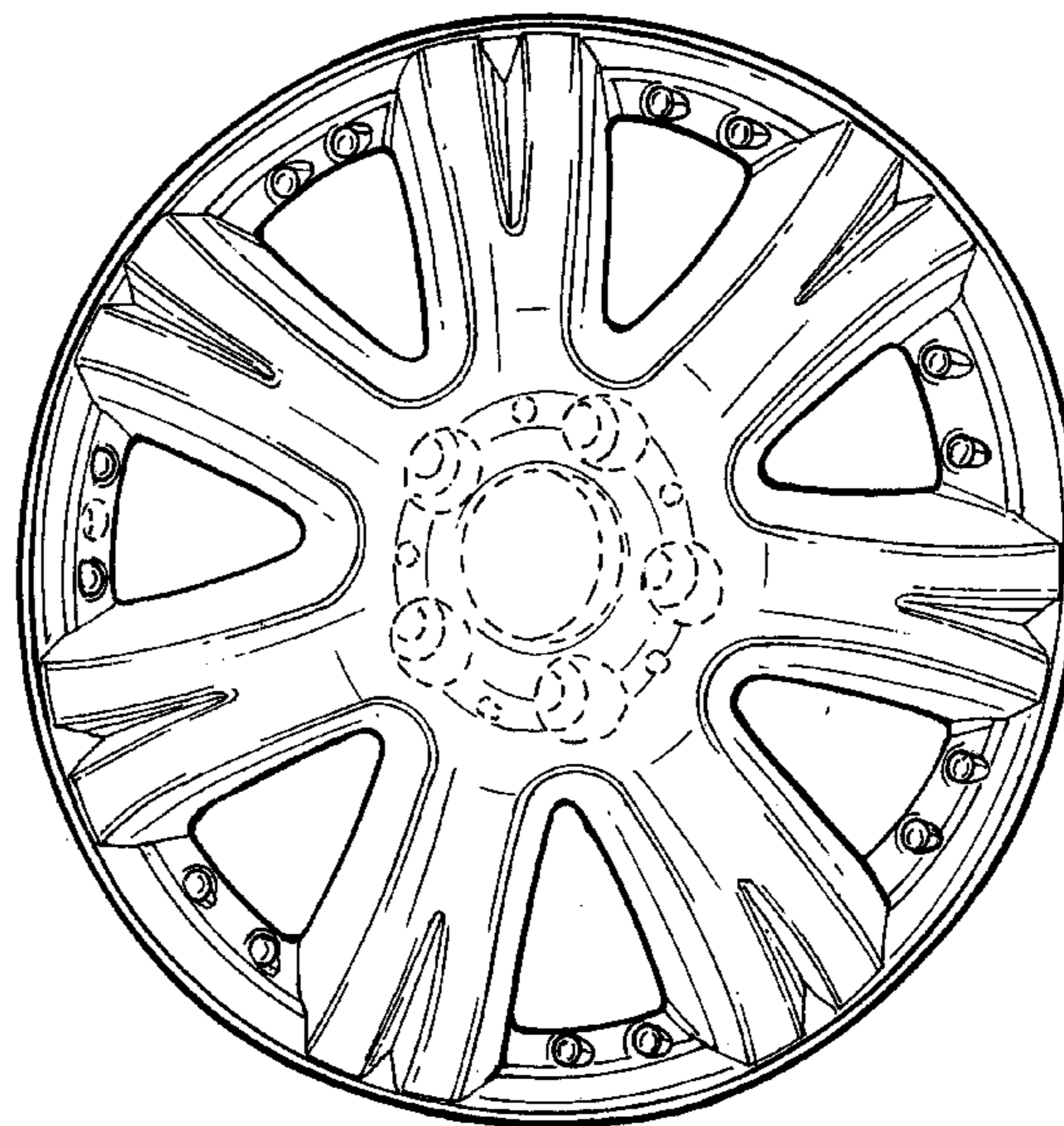
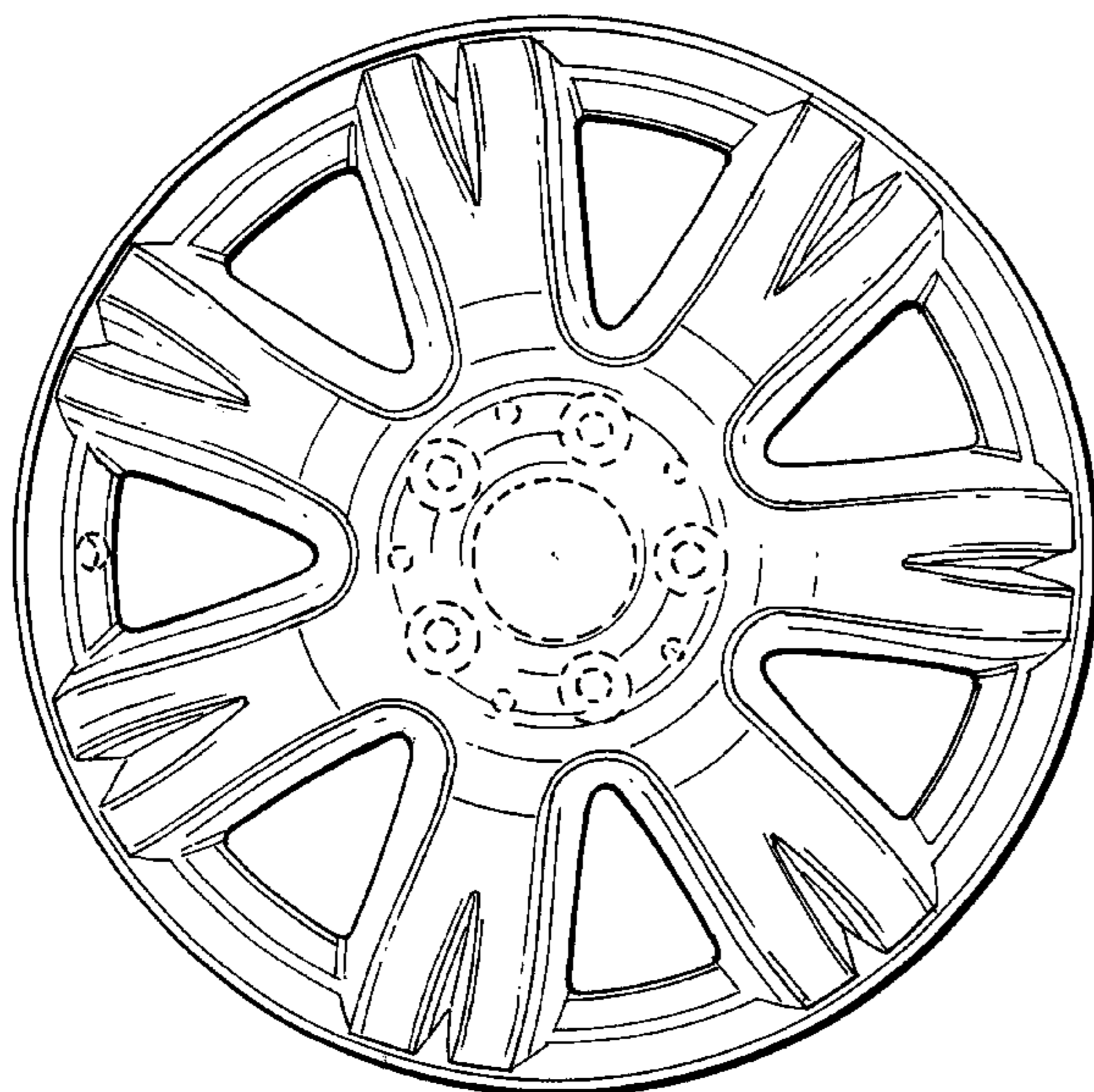
**DESCRIPTION**

FIG. 1 is a front view of a first embodiment of a front face of a vehicle wheel according to our novel design; and FIG. 2 is a perspective view thereof.

FIG. 3 is a front view of a second embodiment of the front face of a vehicle wheel according to our novel design; and, FIG. 4 is a perspective view thereof.

The broken lines are for illustrative purposes only and form no part of the claimed design.

**1 Claim, 2 Drawing Sheets**



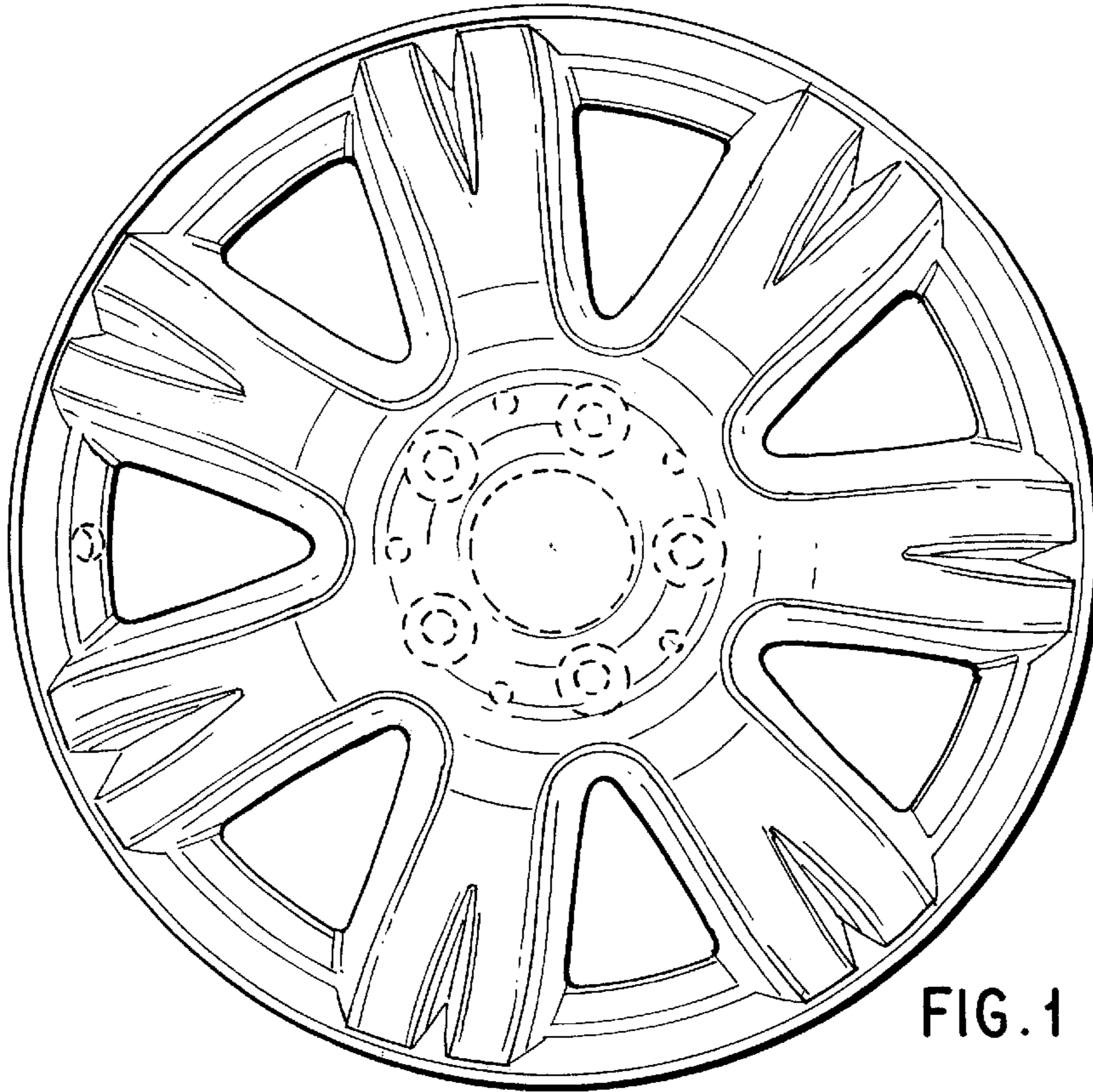


FIG. 1

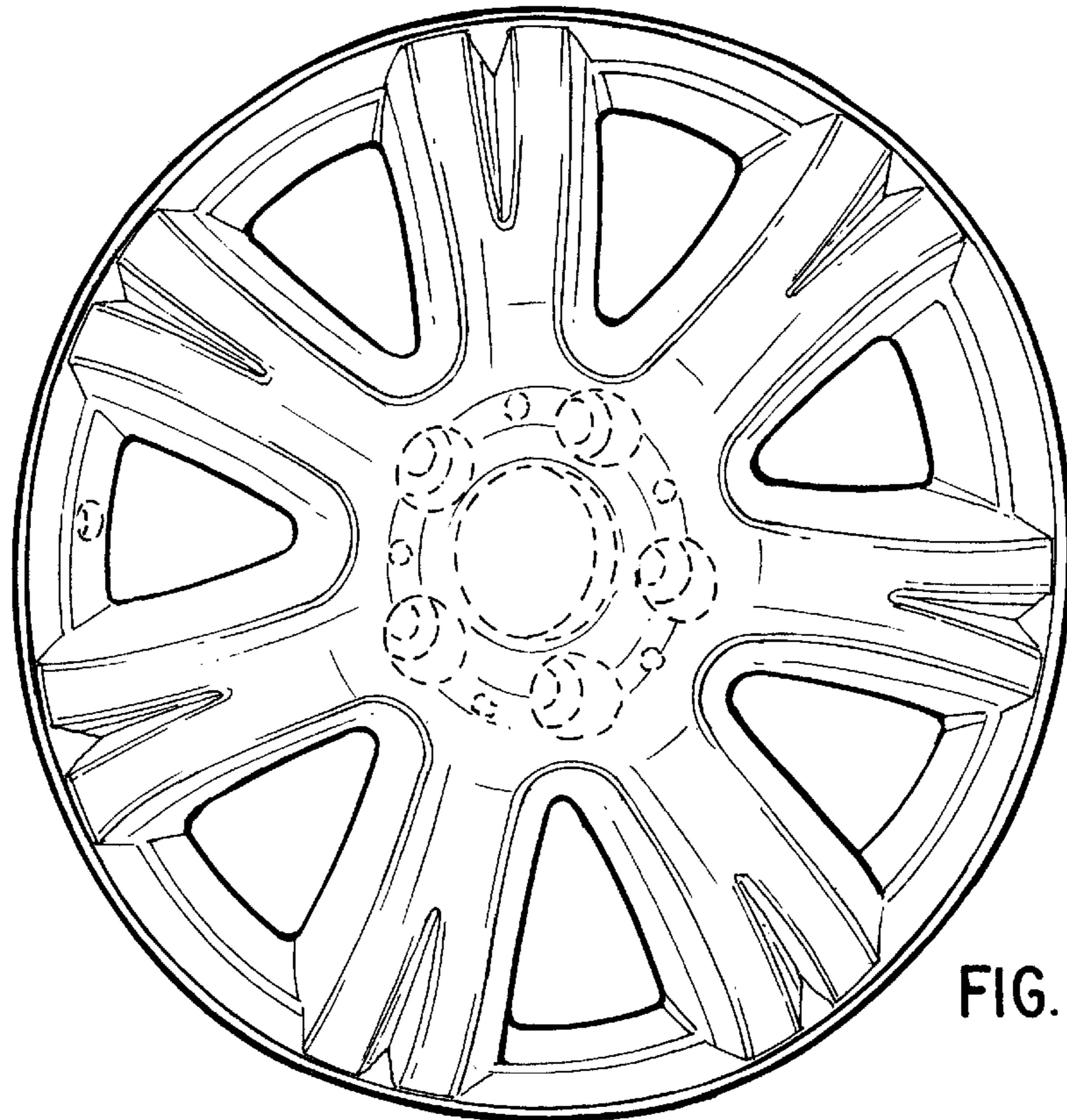


FIG. 2

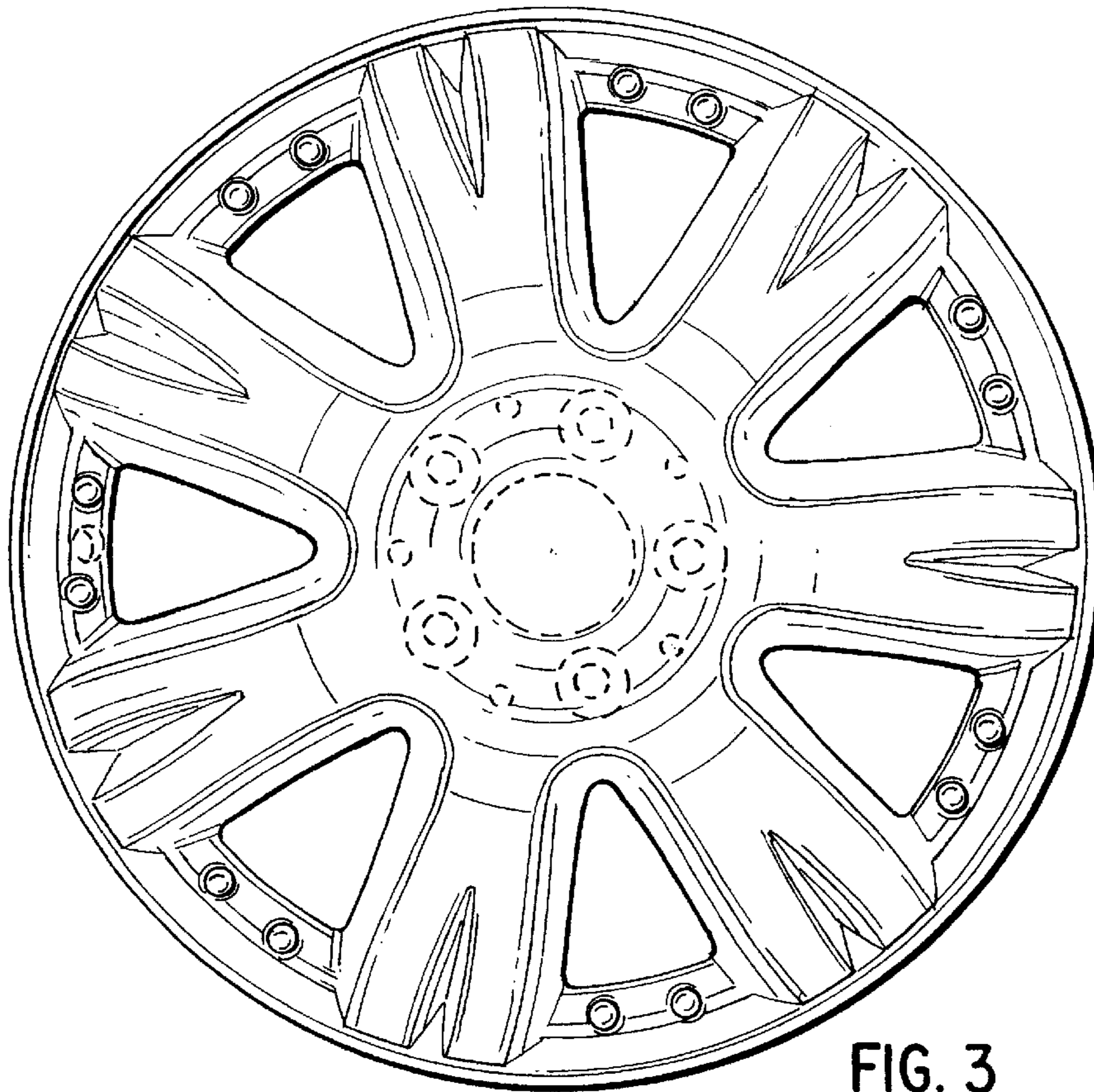


FIG. 3

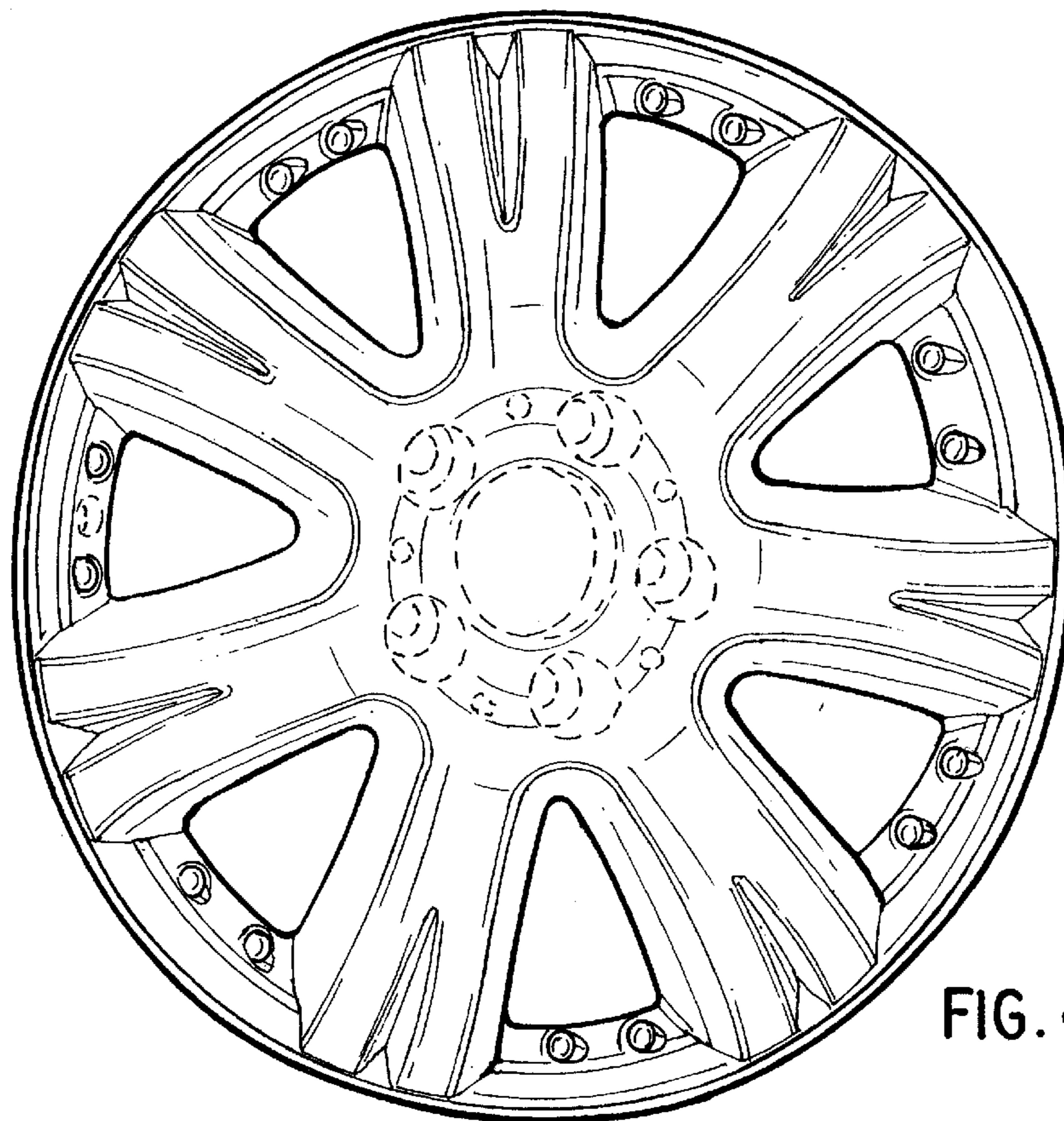


FIG. 4

UNITED STATES PATENT AND TRADEMARK OFFICE  
**CERTIFICATE OF CORRECTION**

PATENT NO. : Des. 537,766 S  
APPLICATION NO. : 29/259676  
DATED : March 6, 2007  
INVENTOR(S) : Armin Scheu

Page 1 of 1

It is certified that error appears in the above-identified patent and that said Letters Patent is hereby corrected as shown below:

On the title page, should read:

Item  
(75) Inventor: Armin Scheu, Stuttgart (DE)

Signed and Sealed this

Nineteenth Day of June, 2007

A handwritten signature in black ink on a light gray dotted background. The signature reads "Jon W. Dudas" in a cursive style.

JON W. DUDAS

*Director of the United States Patent and Trademark Office*