



US00D537765S

(12) **United States Design Patent**  
**Porter**

(10) **Patent No.:** **US D537,765 S**

(45) **Date of Patent:** **\*\* Mar. 6, 2007**

(54) **LICENSE PLATE BRACKET BACKUP  
SENSOR WITH CAMERA**

5,012,602 A \* 5/1991 Storey ..... 40/201  
D411,499 S \* 6/1999 Porter ..... D12/193  
D496,312 S \* 9/2004 Sybilrud et al. .... D12/193

(76) Inventor: **William Porter**, 4404 Seashore Dr.,  
Newport Beach, CA (US) 92663

\* cited by examiner

(\*\*) Term: **14 Years**

*Primary Examiner*—Stacia Cadmus

(21) Appl. No.: **29/262,869**

(57) **CLAIM**

(22) Filed: **Jul. 12, 2006**

The ornamental design for a license plate bracket backup sensor with camera, as shown and described.

(51) **LOC (8) Cl.** ..... **12-16**

(52) **U.S. Cl.** ..... **D12/193**

(58) **Field of Classification Search** ..... D12/193;  
D6/300-303, 310-314; 40/200-203, 207-216;  
428/346; 116/28 R, 35 R; D10/116, 104,  
D10/109-110; 340/435-436, 384.1, 384.4,  
340/391.1

See application file for complete search history.

**DESCRIPTION**

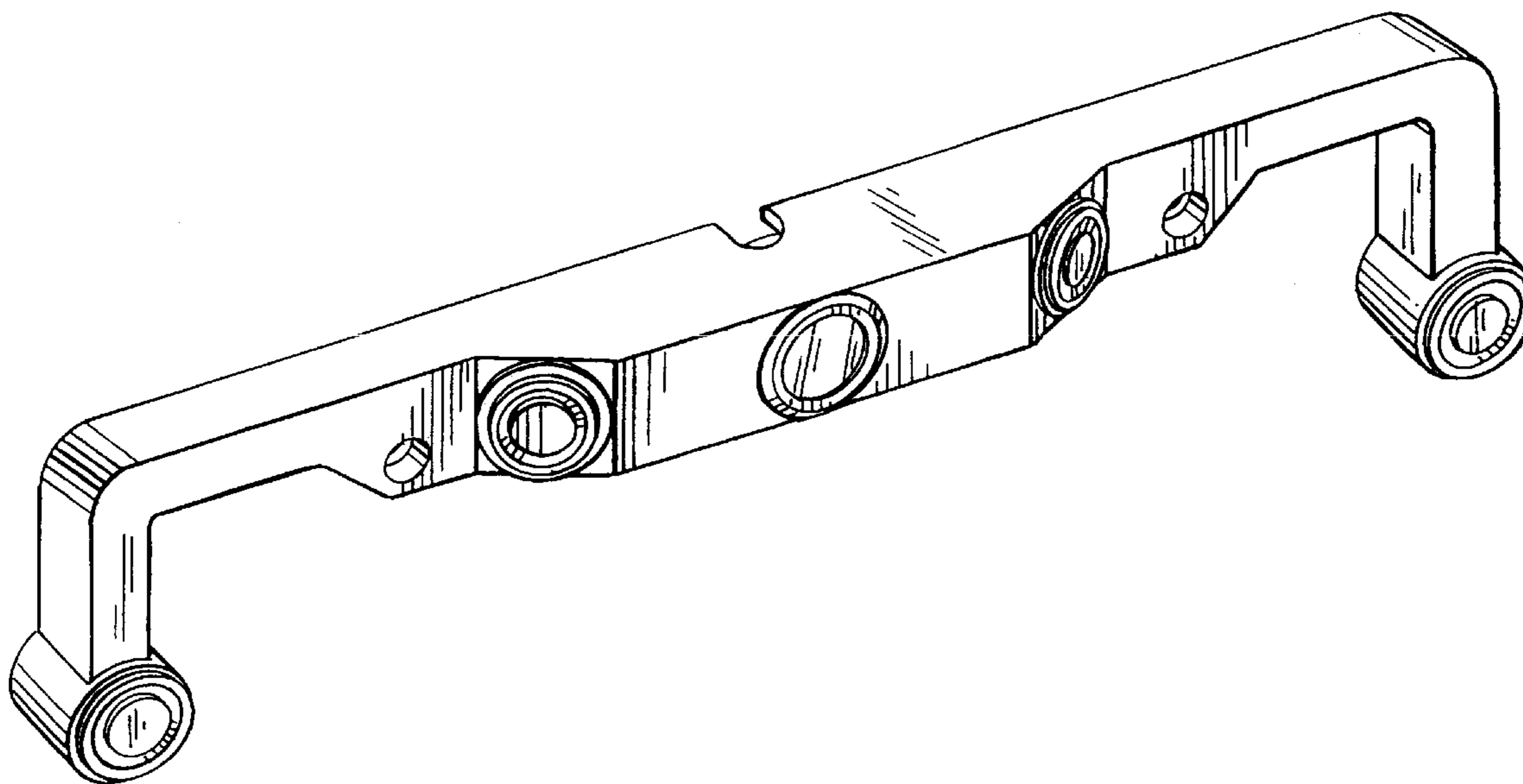
FIG. 1 is a perspective view of the license plate bracket backup sensor with camera of the present invention;  
FIG. 2 is a left side elevation view;  
FIG. 3 is a right side elevation view;  
FIG. 4 is a top plan view;  
FIG. 5 is a front elevation view;  
FIG. 6 is a bottom plan view; and,  
FIG. 7 is a rear elevation view.

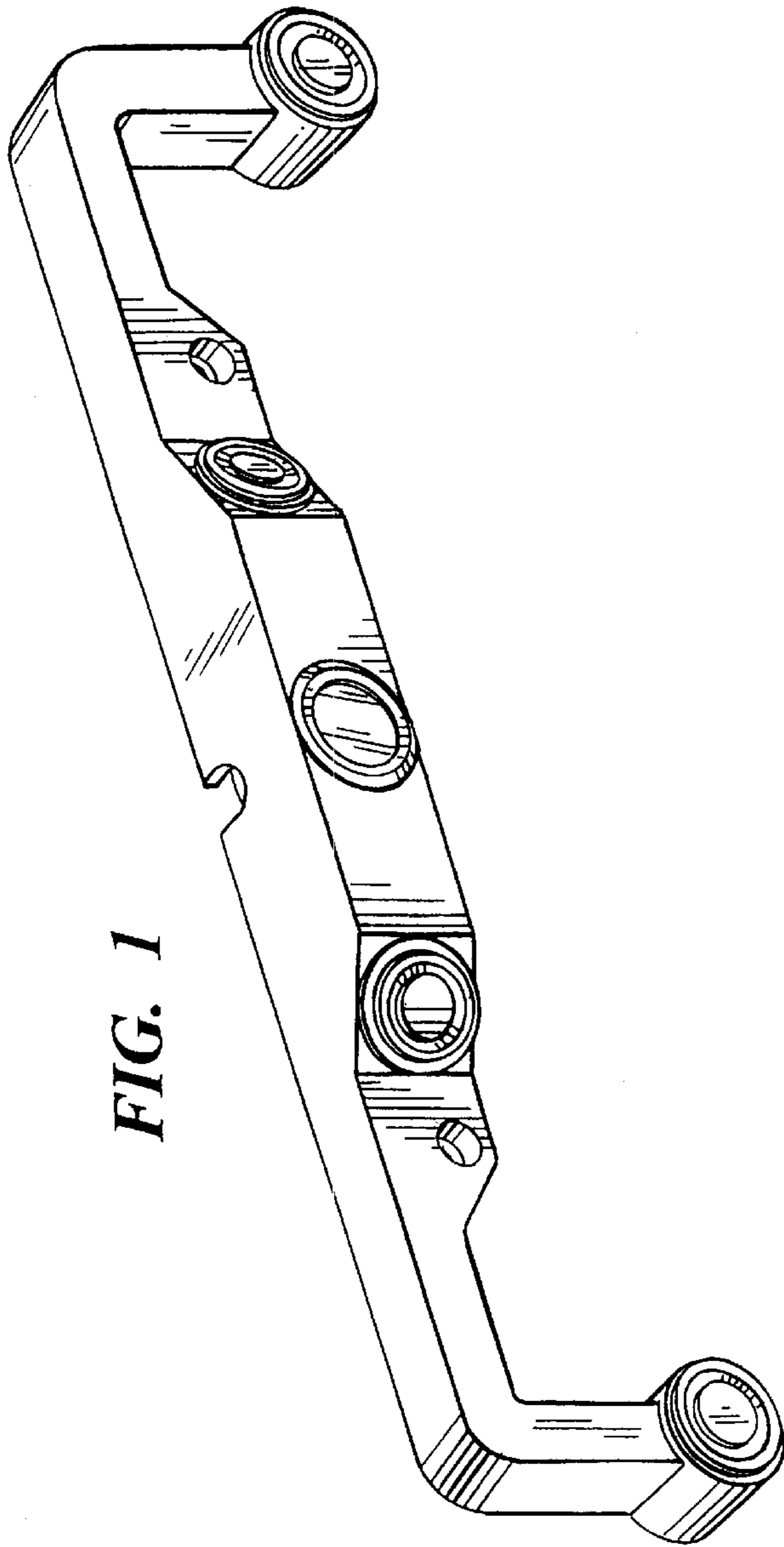
(56) **References Cited**

**U.S. PATENT DOCUMENTS**

D274,807 S \* 7/1984 Stansbury et al. .... D12/193

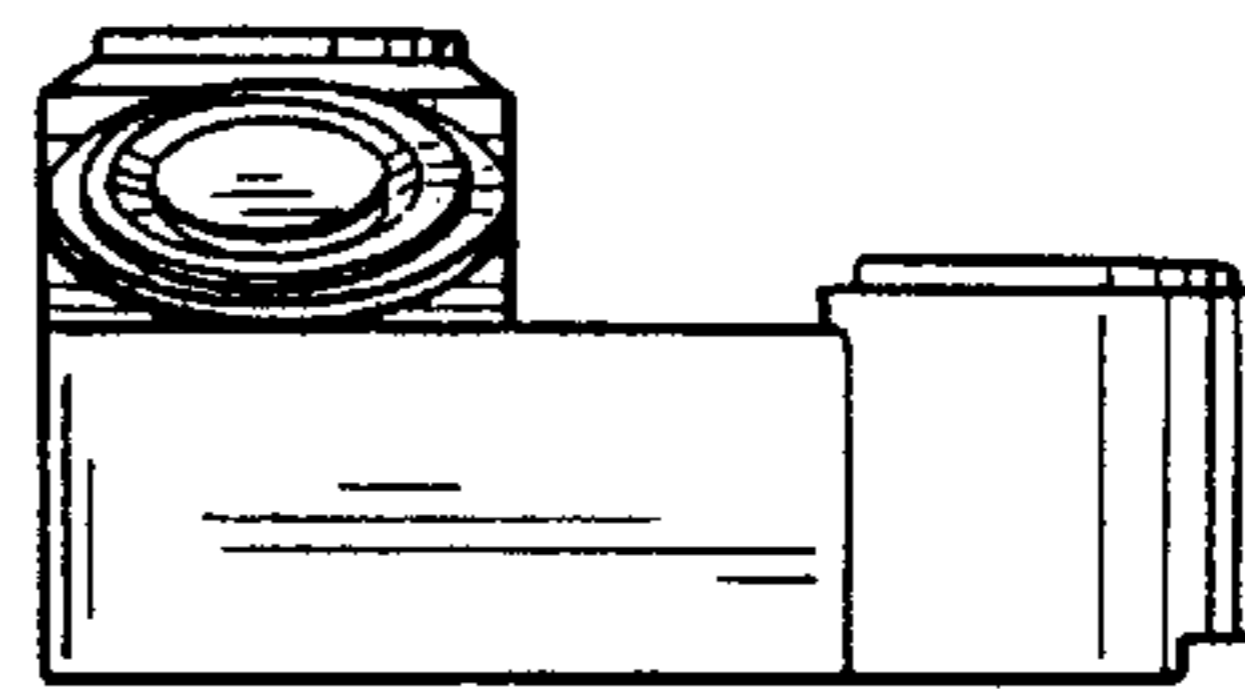
**1 Claim, 2 Drawing Sheets**



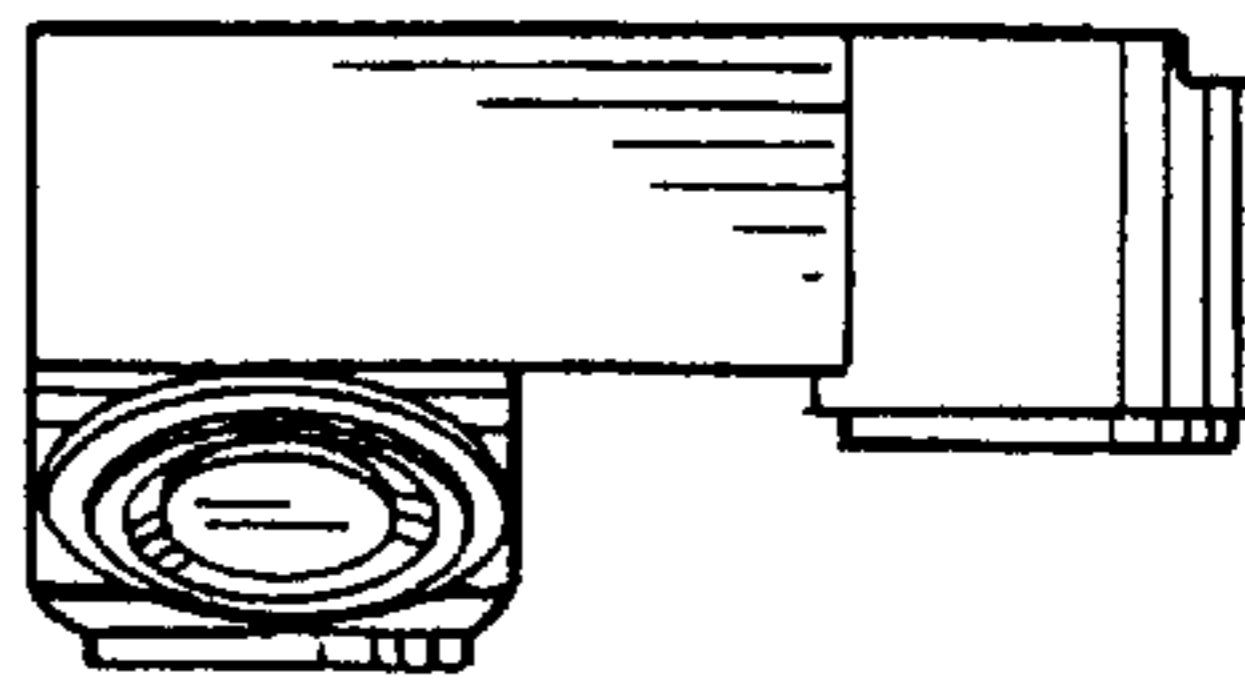


**FIG. 1**

**FIG. 2**



**FIG. 3**



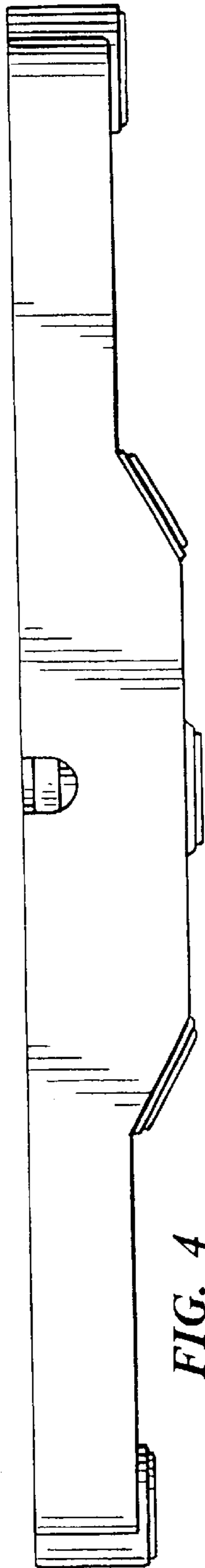


FIG. 4

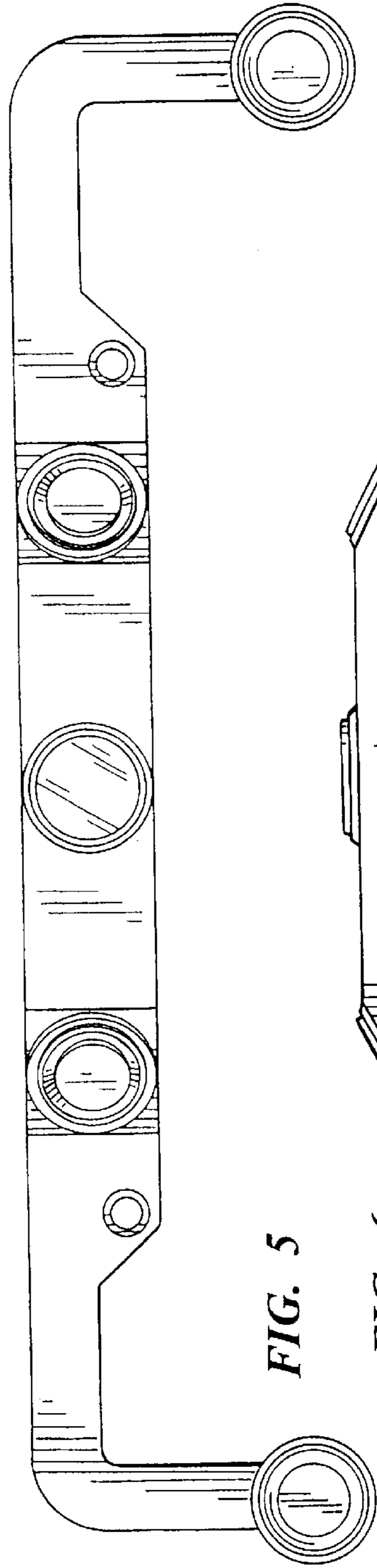


FIG. 5

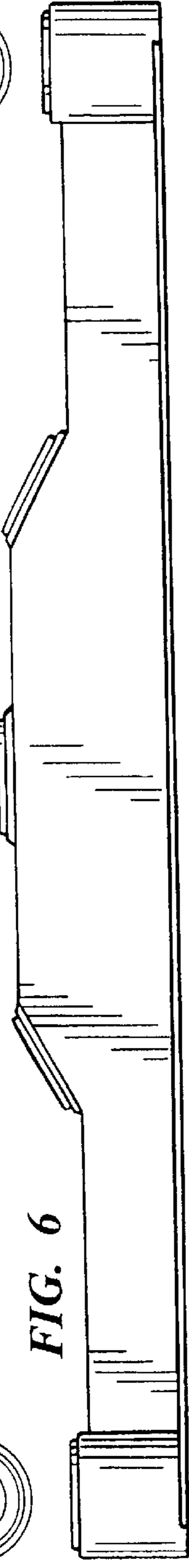


FIG. 6

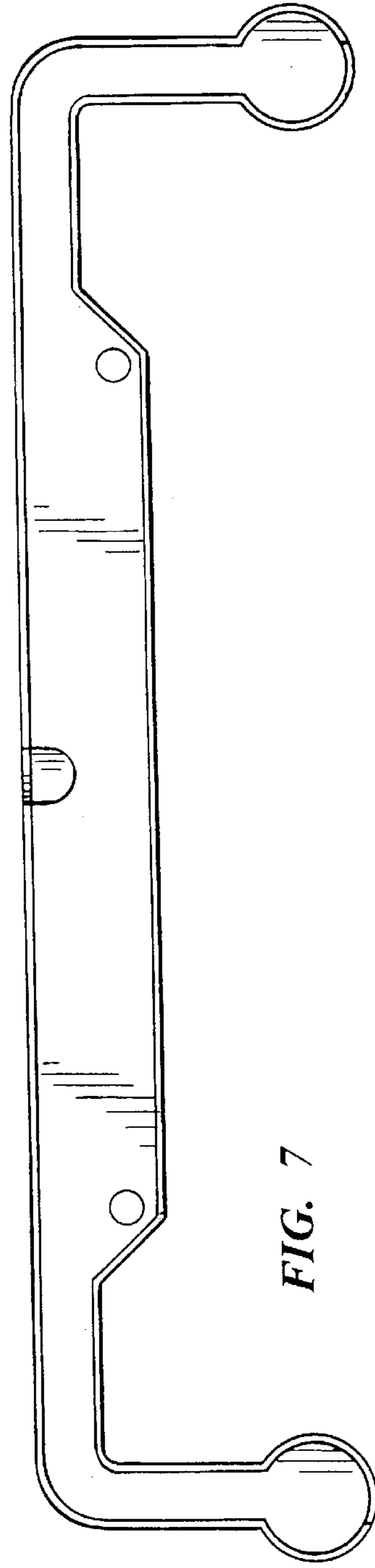


FIG. 7