



US00D537763S

(12) **United States Design Patent**
Erskine et al.

(10) **Patent No.:** **US D537,763 S**
(45) **Date of Patent:** **** Mar. 6, 2007**

(54) **WINDSHIELD UNIT**

(75) Inventors: **Edward J. Erskine**, Benson, NY (US);
David R. Irwin, Clifton Park, NY
(US); **Eric S. Butler**, Sloansville, NY
(US)

(73) Assignee: **Taylor Made Group, Inc.**,
Gloversville, NY (US)

(**) Term: **14 Years**

(21) Appl. No.: **29/212,657**

(22) Filed: **Oct. 25, 2004**

(51) **LOC (8) Cl.** **12-16**

(52) **U.S. Cl.** **D12/182**

(58) **Field of Classification Search** D12/182,
D12/183, 317; 296/84.1, 96.21; 114/361,
114/364, 343

See application file for complete search history.

(56) **References Cited**

U.S. PATENT DOCUMENTS

D284,564 S	*	7/1986	Kopecky	D12/182
D461,158 S	*	8/2002	Tomatsu	D12/317
D465,194 S		11/2002	Eck		
6,497,191 B2	*	12/2002	Tomatsu	114/361
D468,254 S		1/2003	Eck		
D472,859 S	*	4/2003	Cullen et al.	D12/182

D482,649 S		11/2003	Eck		
D484,079 S	*	12/2003	Tomatsu	D12/182
D486,774 S		2/2004	Eck		
2001/0045182 A1		11/2001	Roeseler et al.		
2002/0046690 A1		4/2002	Roeseler et al.		
2002/0134293 A1		9/2002	Larson et al.		
2004/0011276 A1		1/2004	Jackson et al.		
2004/0144295 A1		7/2004	Bierbower, Jr.		
2004/0154519 A1		8/2004	Larson et al.		
2004/0159278 A1		8/2004	O'Reilly et al.		
2004/0187764 A1		9/2004	Eck et al.		

* cited by examiner

Primary Examiner—Melody N. Brown

(74) *Attorney, Agent, or Firm*—Nixon & Vanderhye P.C.

(57) **CLAIM**

The ornamental design for a “windshield unit,” as shown and described.

DESCRIPTION

FIG. 1 is a perspective view of the windshield unit of the present invention;

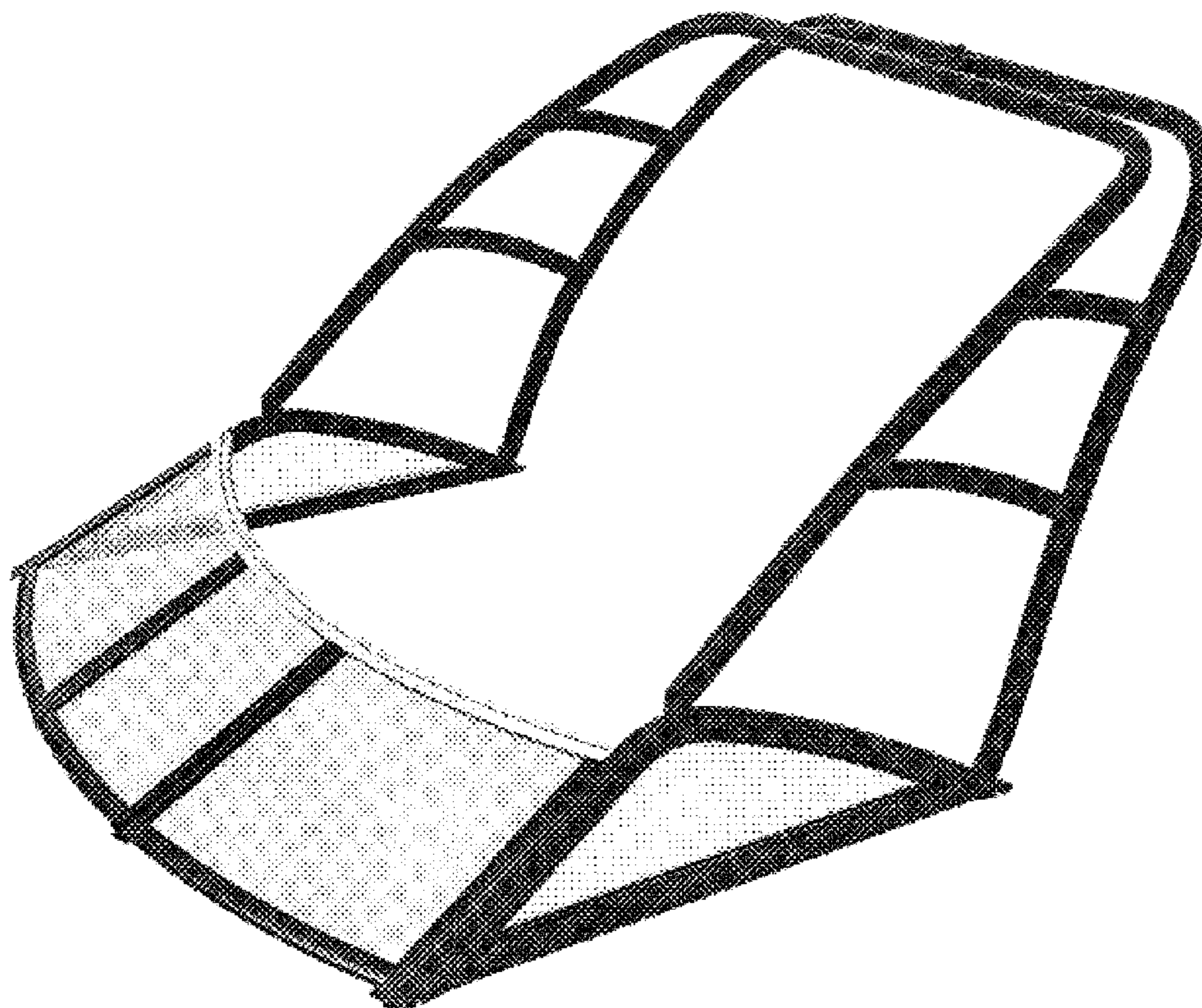
FIG. 2 is a side view thereof (the opposite side being a mirror image);

FIG. 3 is a front view thereof;

FIG. 4 is a rear view thereof; and,

FIG. 5 is a top view thereof.

1 Claim, 5 Drawing Sheets



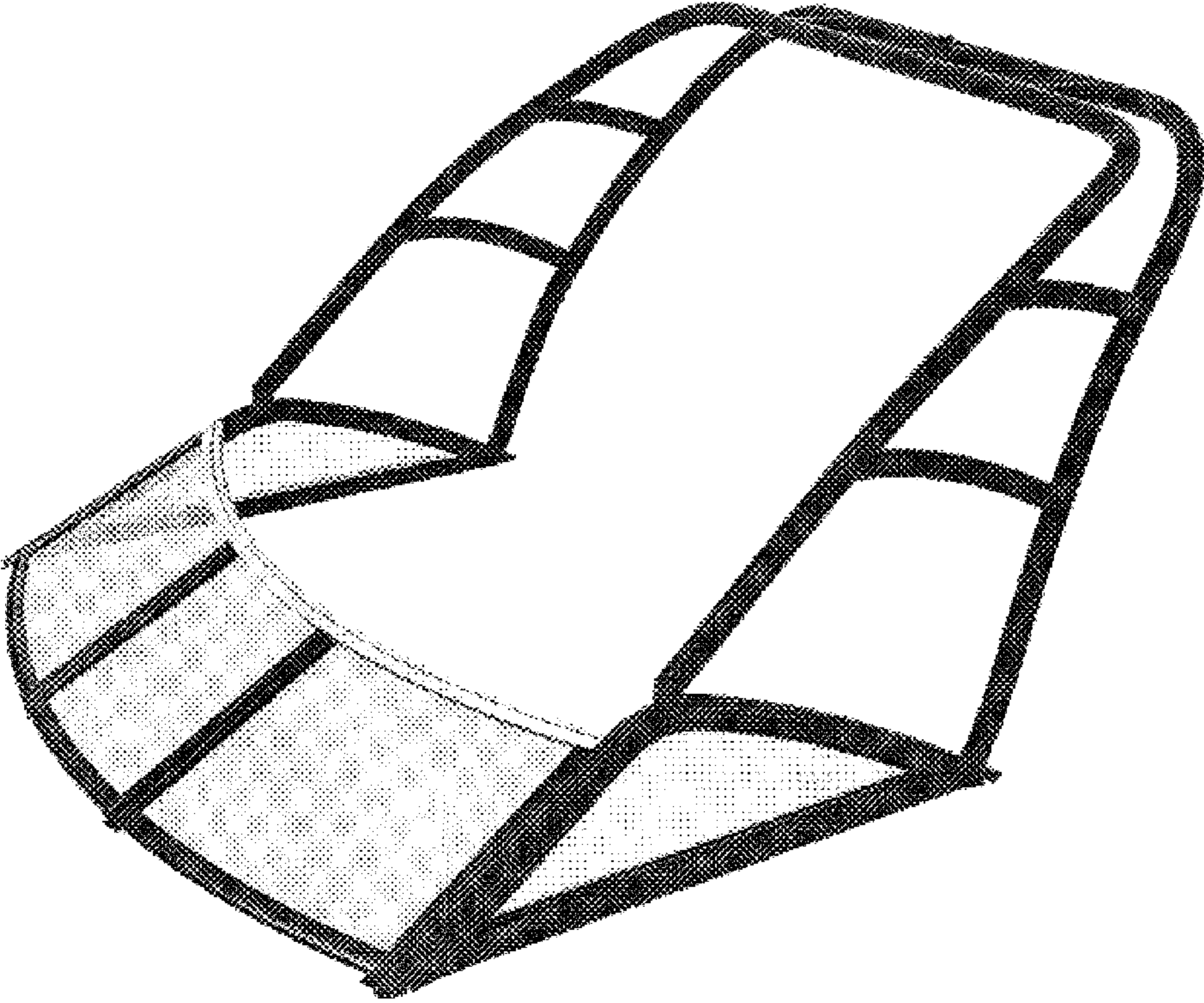


Fig. 1

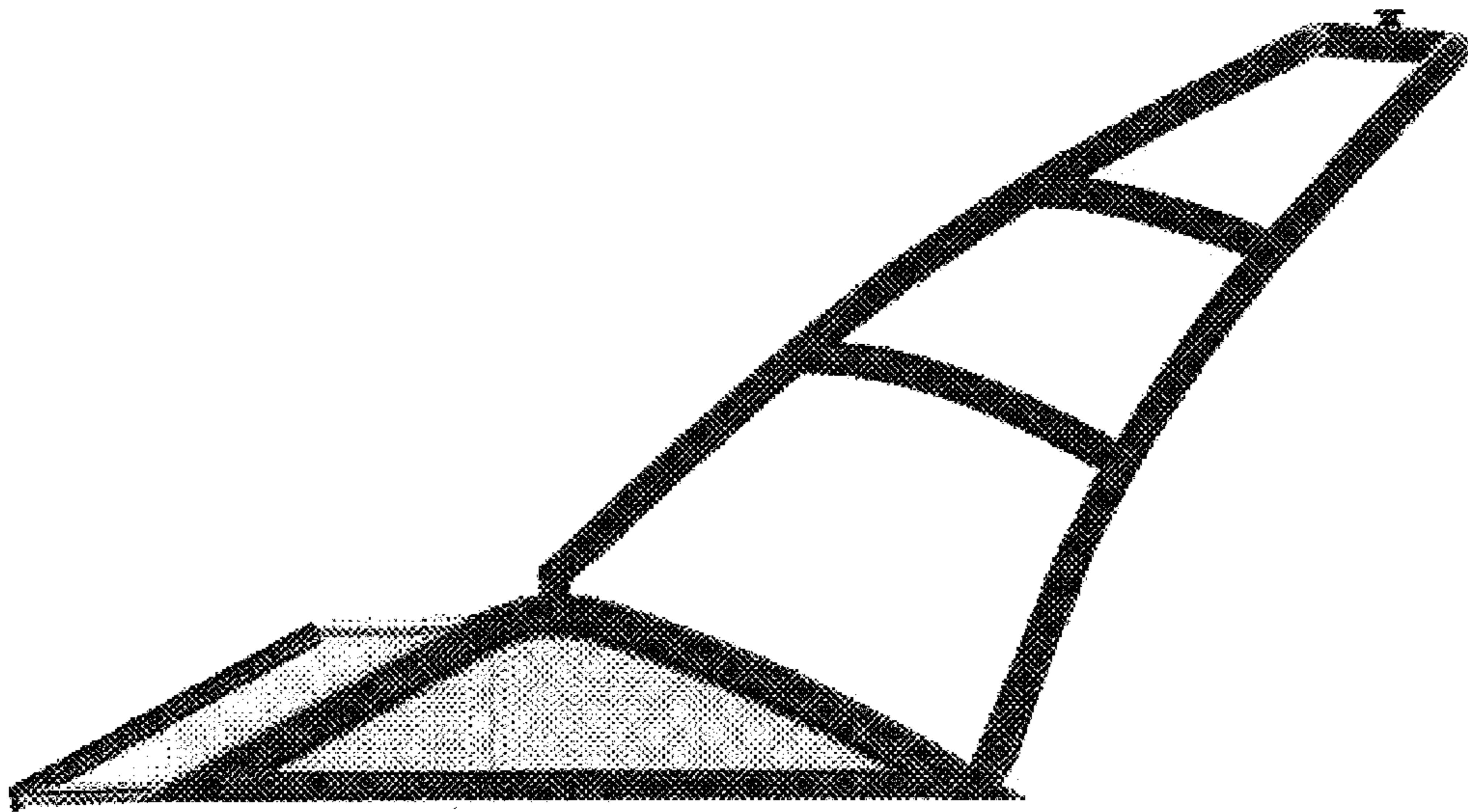


Fig. 2

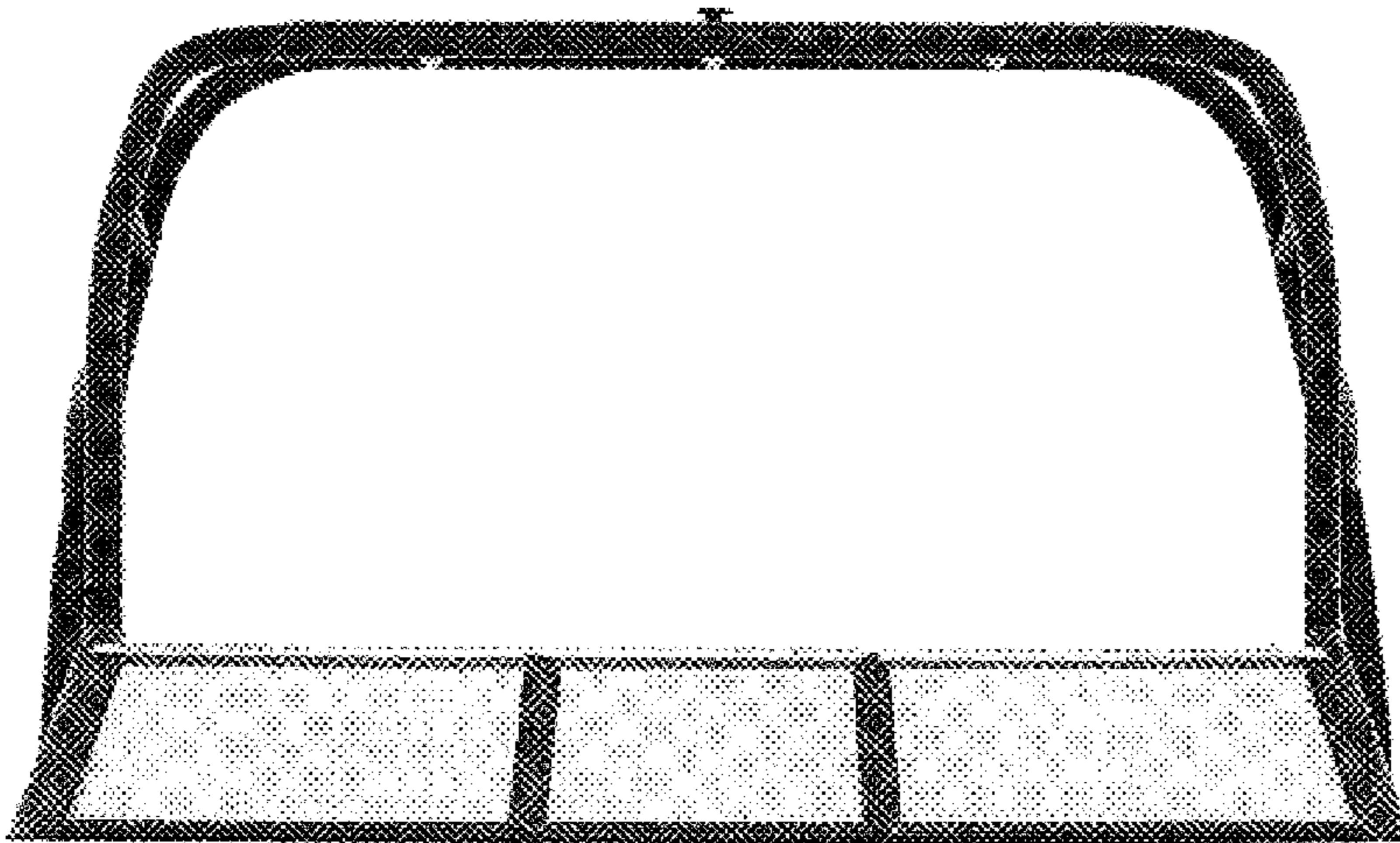


Fig. 3

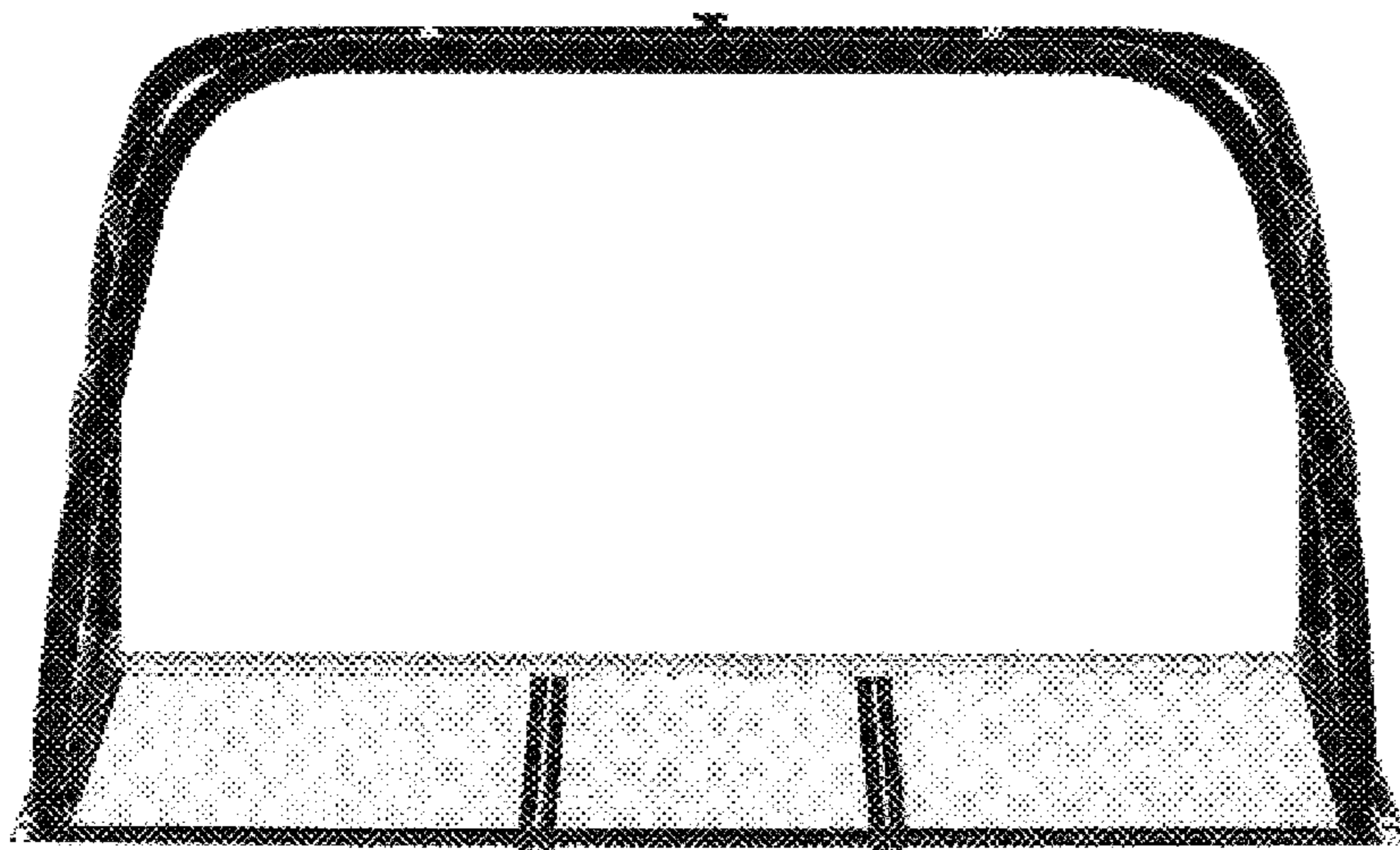


Fig. 4

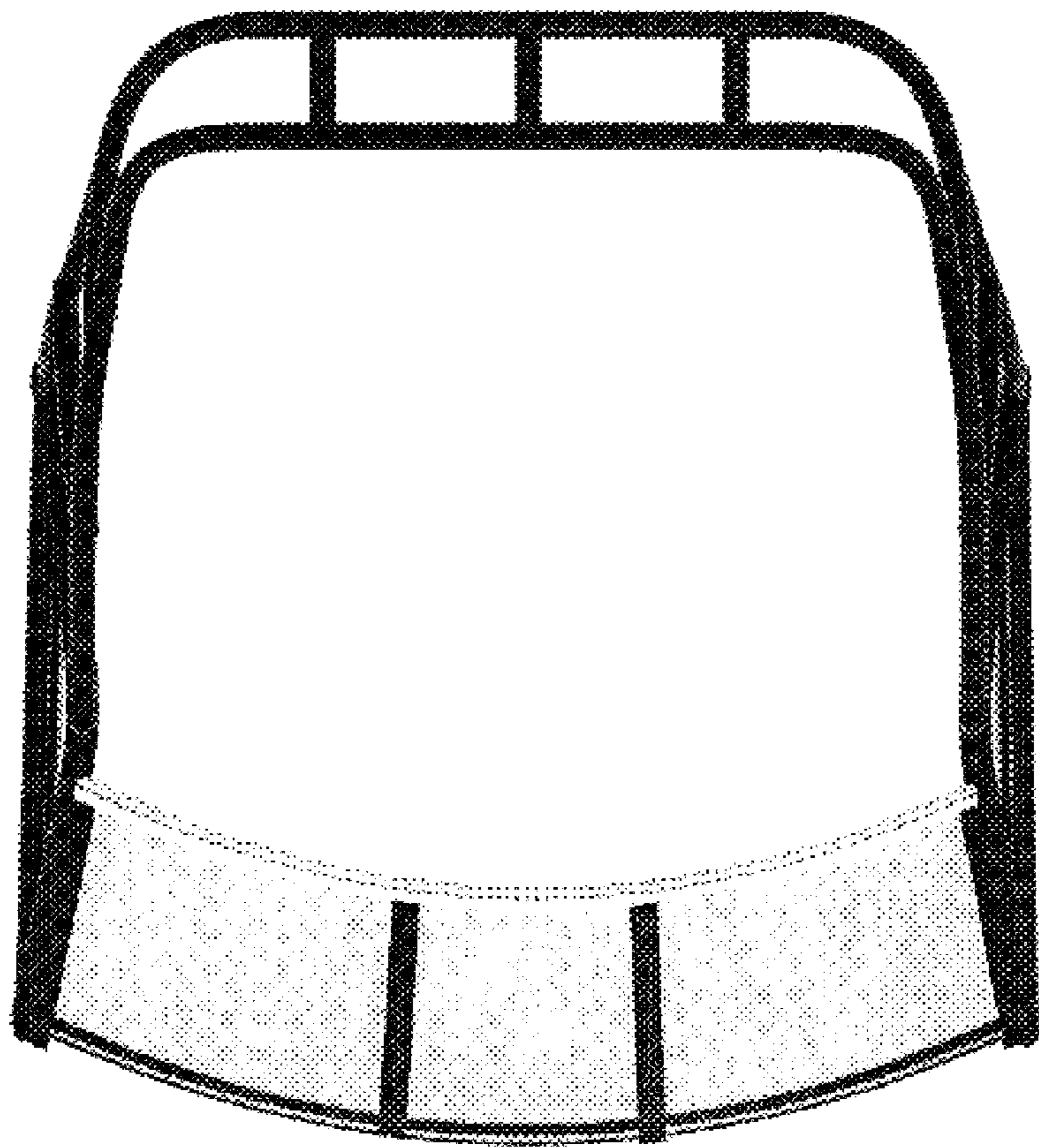


Fig. 5