



US00D537761S

(12) **United States Design Patent**
Beigel et al.

(10) **Patent No.:** **US D537,761 S**

(45) **Date of Patent:** **** Mar. 6, 2007**

(54) **HOOD OF A BUS VEHICLE**

(75) Inventors: **David J. Beigel**, Payne, OH (US);
Joseph E. Otto, Fort Wayne, IN (US);
Robert K. Crook, Jr., Fort Wayne, IN
(US); **Prithipal Dhaliwal**, Fort Wayne,
IN (US); **Robert S. Tirey**, Fort Wayne,
IN (US); **Douglas R. Rosinski**, Warren,
MI (US)

(73) Assignee: **International Truck Intellectual
Property Company, LLC**, Warrenville,
IL (US)

(**) Term: **14 Years**

(21) Appl. No.: **29/240,419**

(22) Filed: **Oct. 11, 2005**

(51) **LOC (8) Cl.** **12-16**

(52) **U.S. Cl.** **D12/173**

(58) **Field of Classification Search** D12/90-92,
D12/173, 196, 86; 180/69.21, 69.2, 69.22;
296/24.4

See application file for complete search history.

(56) **References Cited**

U.S. PATENT DOCUMENTS

| | | | |
|------------|----------|-------------------|---------|
| D307,126 S | 4/1990 | Allendorph et al. | |
| D366,638 S | * 1/1996 | Tucker et al. | D12/173 |
| D401,198 S | 11/1998 | Mueller et al. | |
| D403,637 S | 1/1999 | Abalos et al. | |

| | | | |
|--------------|-----------|-----------------|----------|
| D426,800 S | 6/2000 | Zimmerman | |
| D436,563 S | * 1/2001 | Delashaw et al. | D12/173 |
| D437,574 S | 2/2001 | Beigel | |
| D445,384 S | 7/2001 | Tirey et al. | |
| D446,450 S | 8/2001 | Zettle et al. | |
| 6,364,389 B1 | * 4/2002 | Beigel | 296/24.4 |
| D458,197 S | 6/2002 | Maher et al. | |
| D484,077 S | * 12/2003 | Conway et al. | D12/173 |
| D488,112 S | * 4/2004 | Satou | D12/173 |
| D494,900 S | * 8/2004 | Satou | D12/173 |
| D502,901 S | * 3/2005 | Delashaw et al. | D12/173 |
| D504,642 S | * 5/2005 | Perfetti et al. | D12/173 |
| D523,793 S | * 6/2006 | Beigel et al. | D12/173 |

* cited by examiner

Primary Examiner—Melody N. Brown

(74) *Attorney, Agent, or Firm*—Gerald W. Askew; Jeffrey P. Calfa

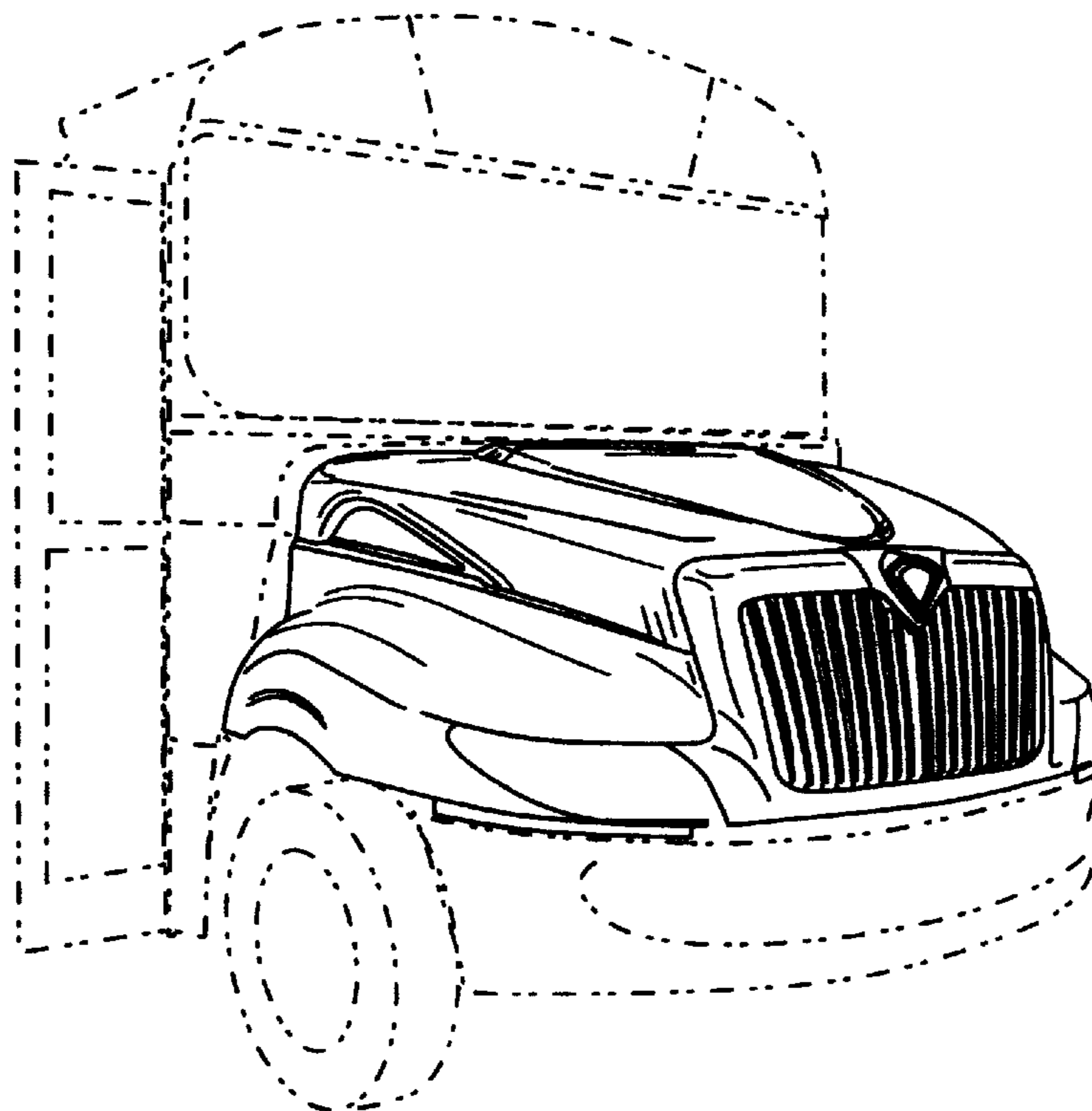
(57) **CLAIM**

The ornamental design for a hood of a bus vehicle, as shown and described.

DESCRIPTION

FIG. 1 is a right, front perspective view of a hood of a bus vehicle showing our new design, it may be understood that the broken lines are for illustrative purposes only and form no part of the claimed design;
FIG. 2 is a top plan view thereof;
FIG. 3 is a front view thereof;
FIG. 4 is a right view thereof; and,
FIG. 5 is a left view thereof.

1 Claim, 2 Drawing Sheets



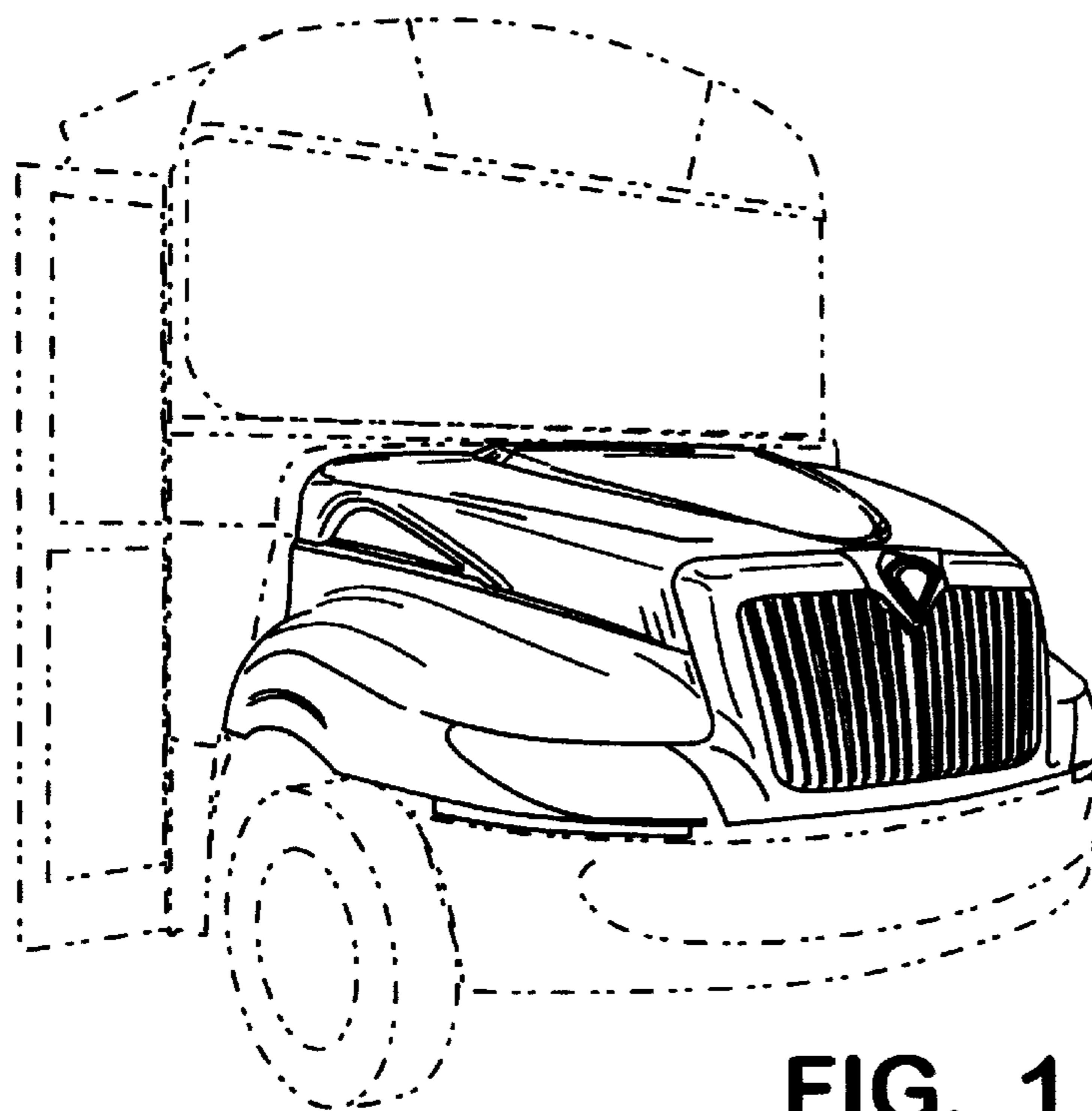


FIG. 1

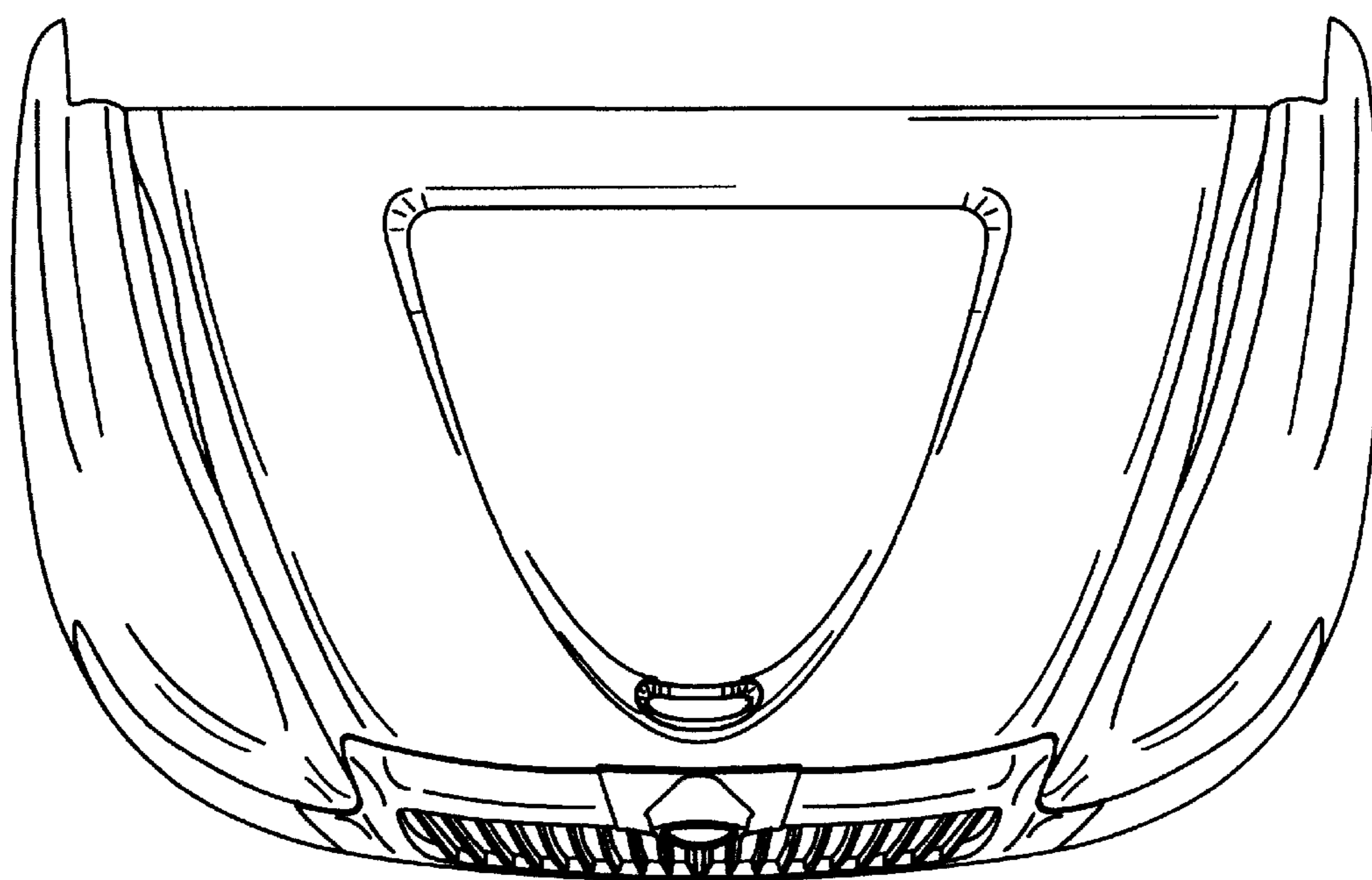


FIG. 2

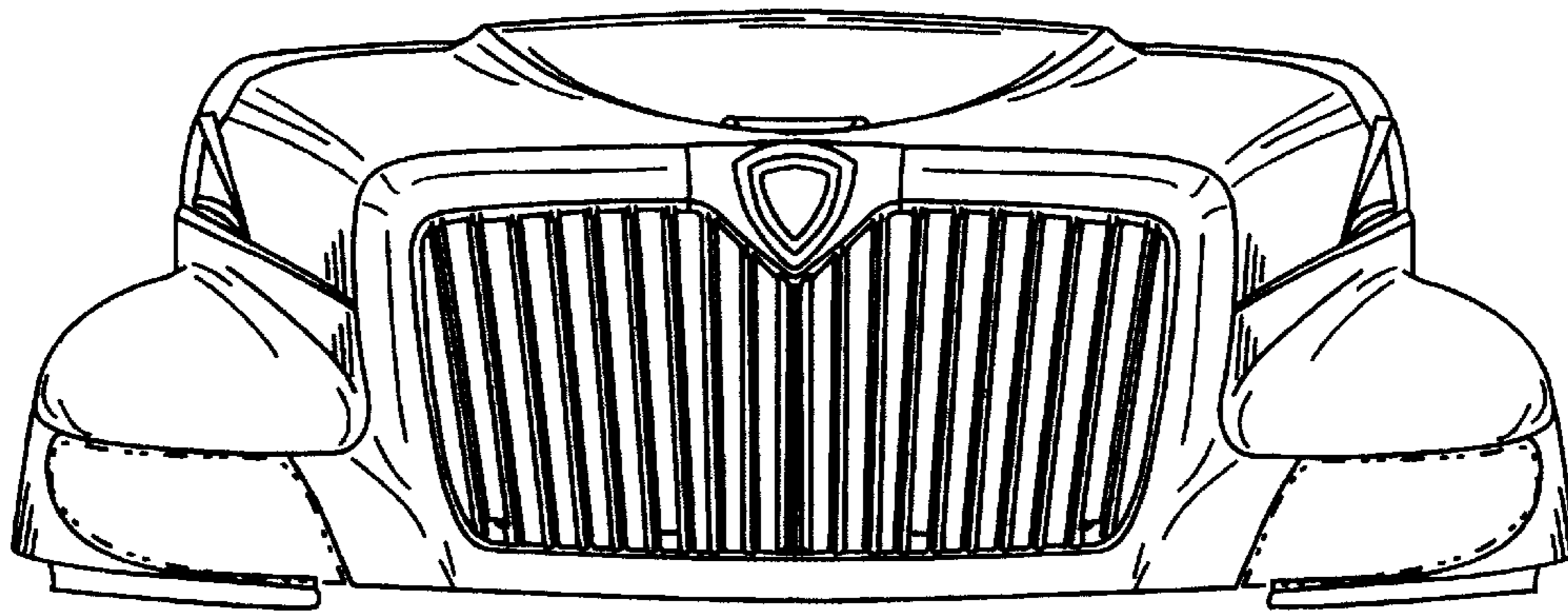


FIG. 3

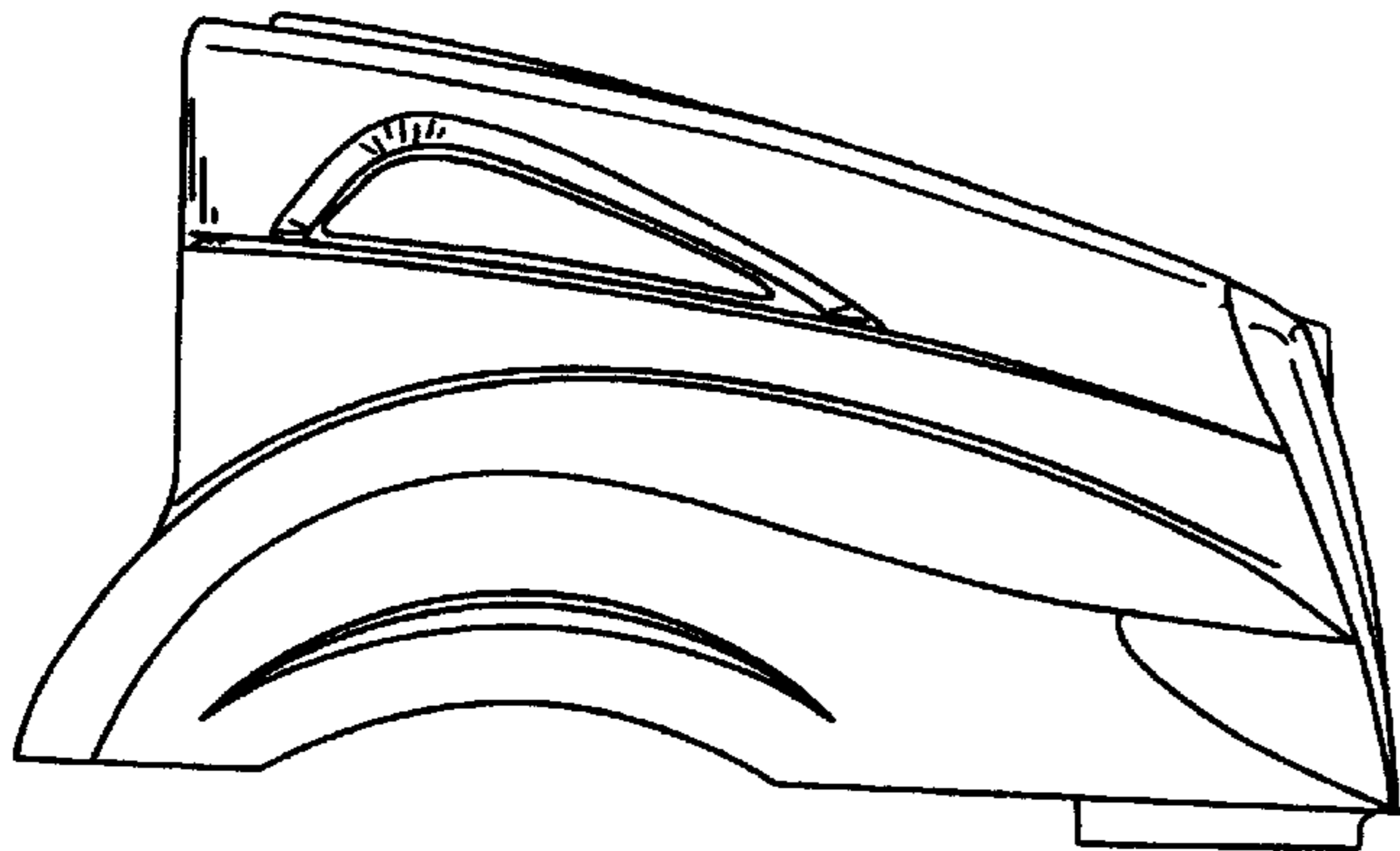


FIG. 4

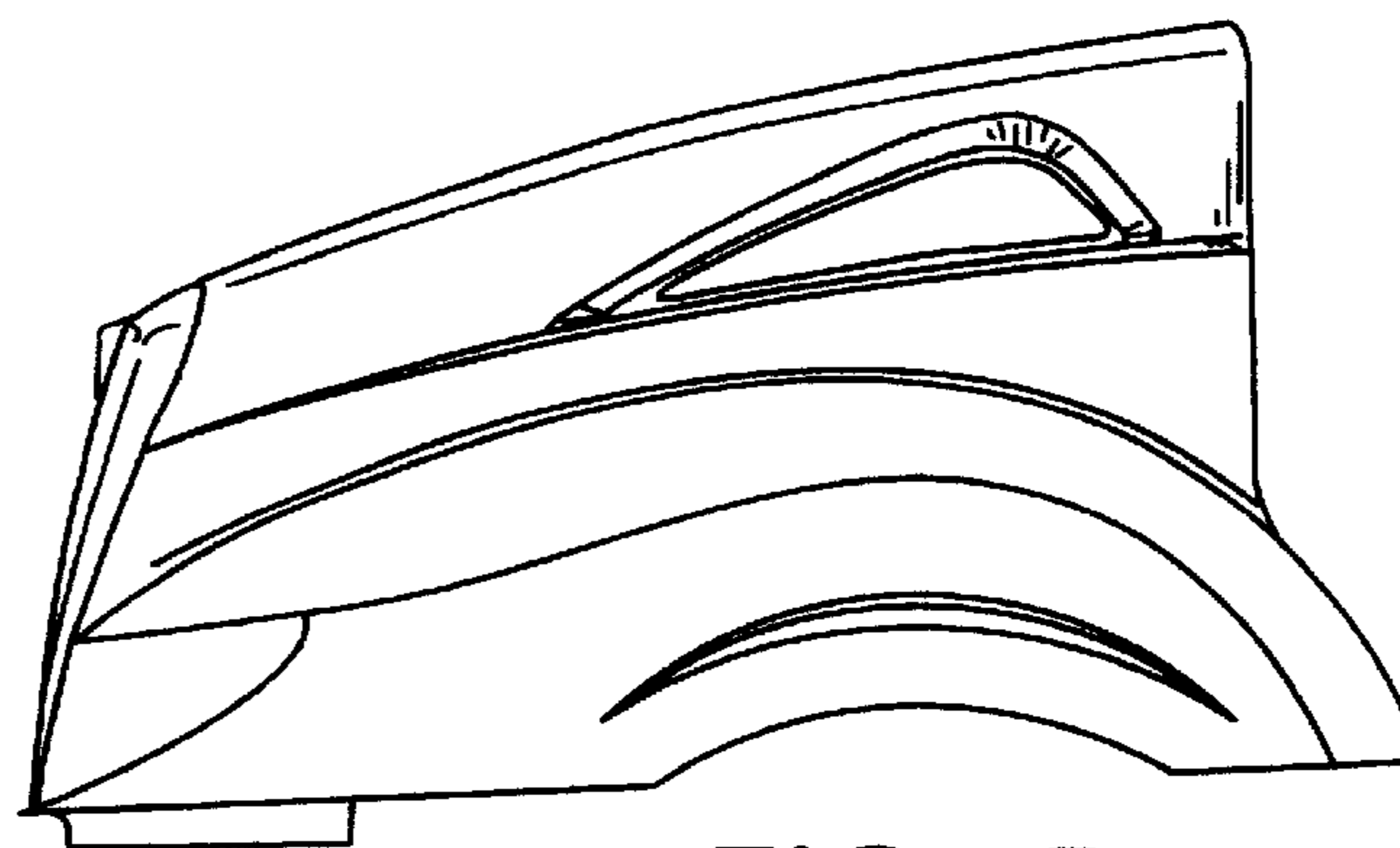


FIG. 5