



US00D537760S

(12) **United States Design Patent**  
**Pfeiffer**

(10) **Patent No.:** **US D537,760 S**

(45) **Date of Patent:** **\*\* Mar. 6, 2007**

(54) **SURFACE CONFIGURATION OF A RADIATOR GRILL FOR A VEHICLE**

(75) Inventor: **Peter Pfeiffer**, Boeblingen (DE)

(73) Assignee: **DaimlerChrysler AG**, Stuttgart (DE)

(\*\*) Term: **14 Years**

(21) Appl. No.: **29/231,135**

(22) Filed: **Jun. 2, 2005**

(30) **Foreign Application Priority Data**

Dec. 3, 2004 (DE) ..... 4 04 06 800

(51) **LOC (8) Cl.** ..... **12-16**

(52) **U.S. Cl.** ..... **D12/163**

(58) **Field of Classification Search** ..... D12/163,  
D12/171, 90-92, 216, 169, 196; 180/68.1,  
180/68.6; 296/194; 293/102, 113, 115  
See application file for complete search history.

(56) **References Cited**

**U.S. PATENT DOCUMENTS**

- D429,196 S \* 8/2000 Sacco et al. .... D12/163
- D430,836 S \* 9/2000 Kitamura et al. .... D12/163
- D430,837 S \* 9/2000 Kitamura et al. .... D12/163

- D431,505 S \* 10/2000 Kitamura et al. .... D12/163
- D485,793 S \* 1/2004 Meza et al. .... D12/163
- D486,764 S \* 2/2004 Tachibana ..... D12/163
- D507,770 S \* 7/2005 Minami ..... D12/163
- D509,463 S \* 9/2005 Nakamura et al. .... D12/163

\* cited by examiner

*Primary Examiner*—Melody N. Brown

(74) *Attorney, Agent, or Firm*—Crowell & Moring LLP

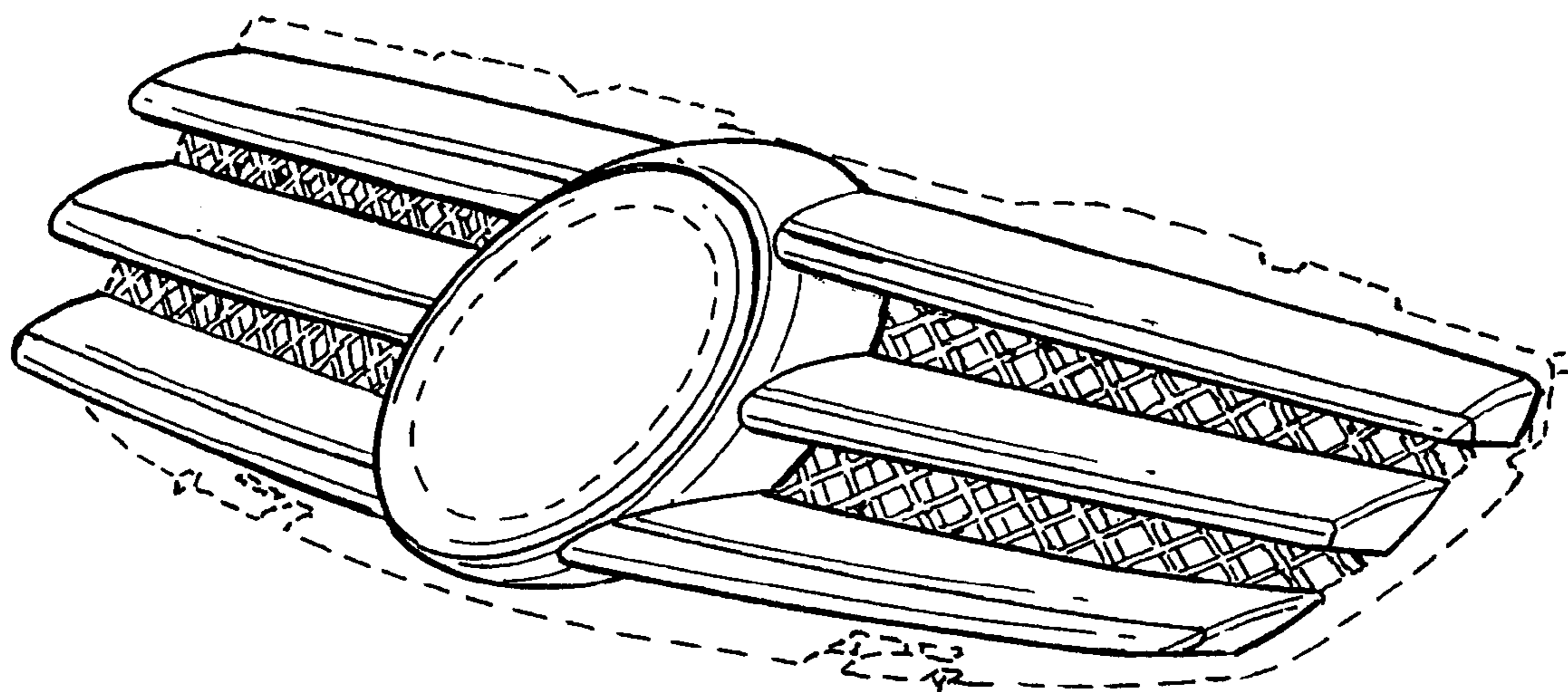
(57) **CLAIM**

The ornamental design for a surface configuration of a radiator grill for a vehicle, as shown and described.

**DESCRIPTION**

FIG. 1 is a left perspective view of a surface configuration of a radiator grill for a vehicle according to my novel design, the right perspective view being mirror symmetrical;  
 FIG. 2 is a front view of the surface configuration of a radiator grill for a vehicle according to my novel design; and,  
 FIG. 3 is a top view of the surface configuration of a radiator grill for a vehicle according to my novel design.  
 The broken lines are for illustrative purposes only and form no part of the claimed design.

**1 Claim, 1 Drawing Sheet**



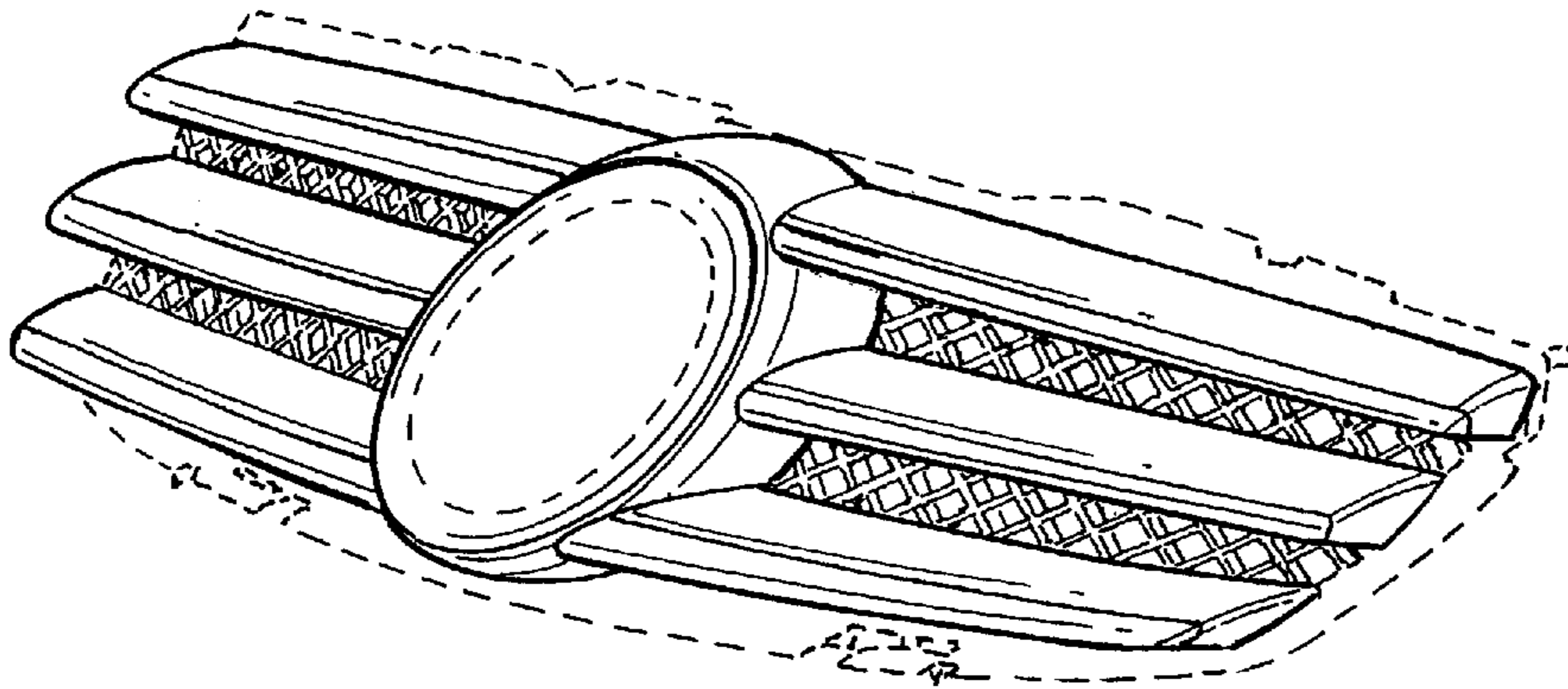


FIG. 1

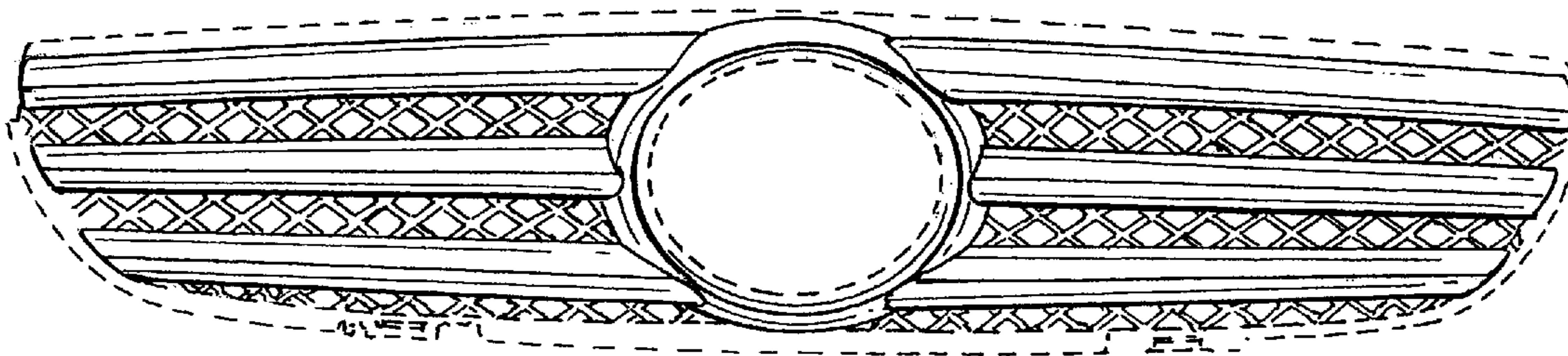


FIG. 2

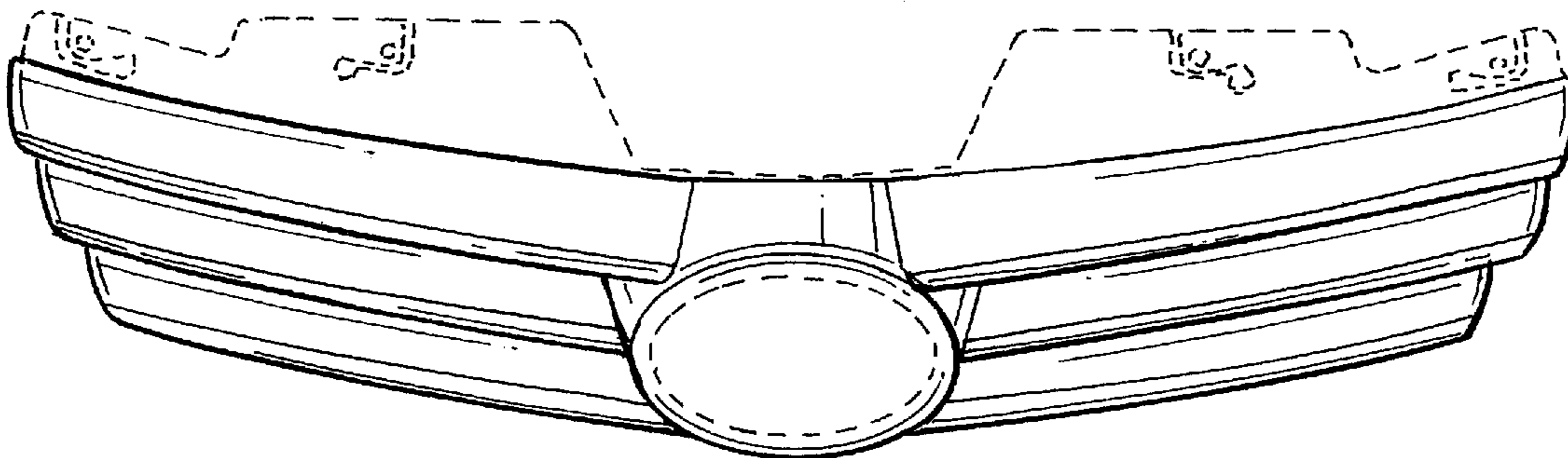


FIG. 3