

US00D537758S

(12) **United States Design Patent**
Grepper

(10) **Patent No.:** **US D537,758 S**

(45) **Date of Patent:** **** Mar. 6, 2007**

(54) **WOODEN BICYCLE**

(76) **Inventor:** **Theo Grepper**, Abendweg 1, Zurich
(CH), 8038

(**) **Term:** **14 Years**

(21) **Appl. No.:** **29/237,410**

(22) **Filed:** **Aug. 31, 2005**

(30) **Foreign Application Priority Data**

Apr. 5, 2005 (EM) 000320890-0001

(51) **LOC (8) Cl.** **12-11**

(52) **U.S. Cl.** **D12/111**

(58) **Field of Classification Search** D12/111;
280/274, 281.1, 288.1, 288.2, 288.3, 827,
280/828

See application file for complete search history.

(56) **References Cited**

U.S. PATENT DOCUMENTS

1,587,930 A * 6/1926 Wetzel 280/223

FOREIGN PATENT DOCUMENTS

DE 9210422.3 8/1992

DE 295 09 586 6/1995

DE 29810961 U 10/1999

DE 20205465 3/2002

EP 000070735 9/2003

OTHER PUBLICATIONS

Report—"Das Laufrad: Dec. 12, 2002: Bewegungsspielzeug und Fortbewegungsmittel" on bicycles of the "Draisine" type.

* cited by examiner

Primary Examiner—Alan P. Douglas

Assistant Examiner—Linda Brooks

(74) *Attorney, Agent, or Firm*—Vidas, Arrett & Steinkraus, P.A.

(57) **CLAIM**

The ornamental design for a wooden bicycle, as shown and described.

DESCRIPTION

FIG. 1 is a view from the right side;

FIG. 2 is a view from the left side;

FIG. 3 is a view from the front;

FIG. 4 is a view from the rear;

FIG. 5 is a view from the top; and,

FIG. 6 is a view from the bottom.

1 Claim, 6 Drawing Sheets

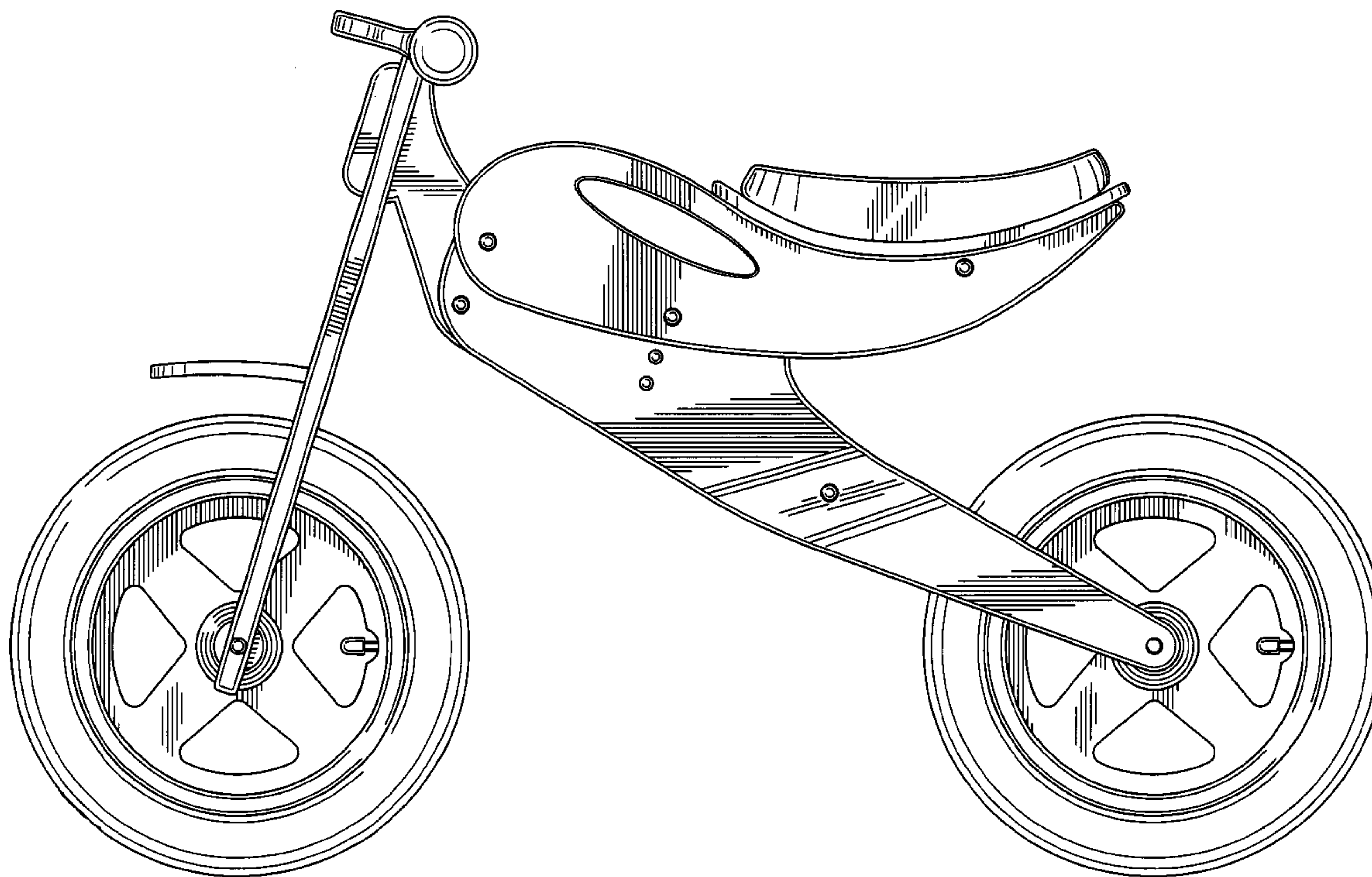


FIG. 1

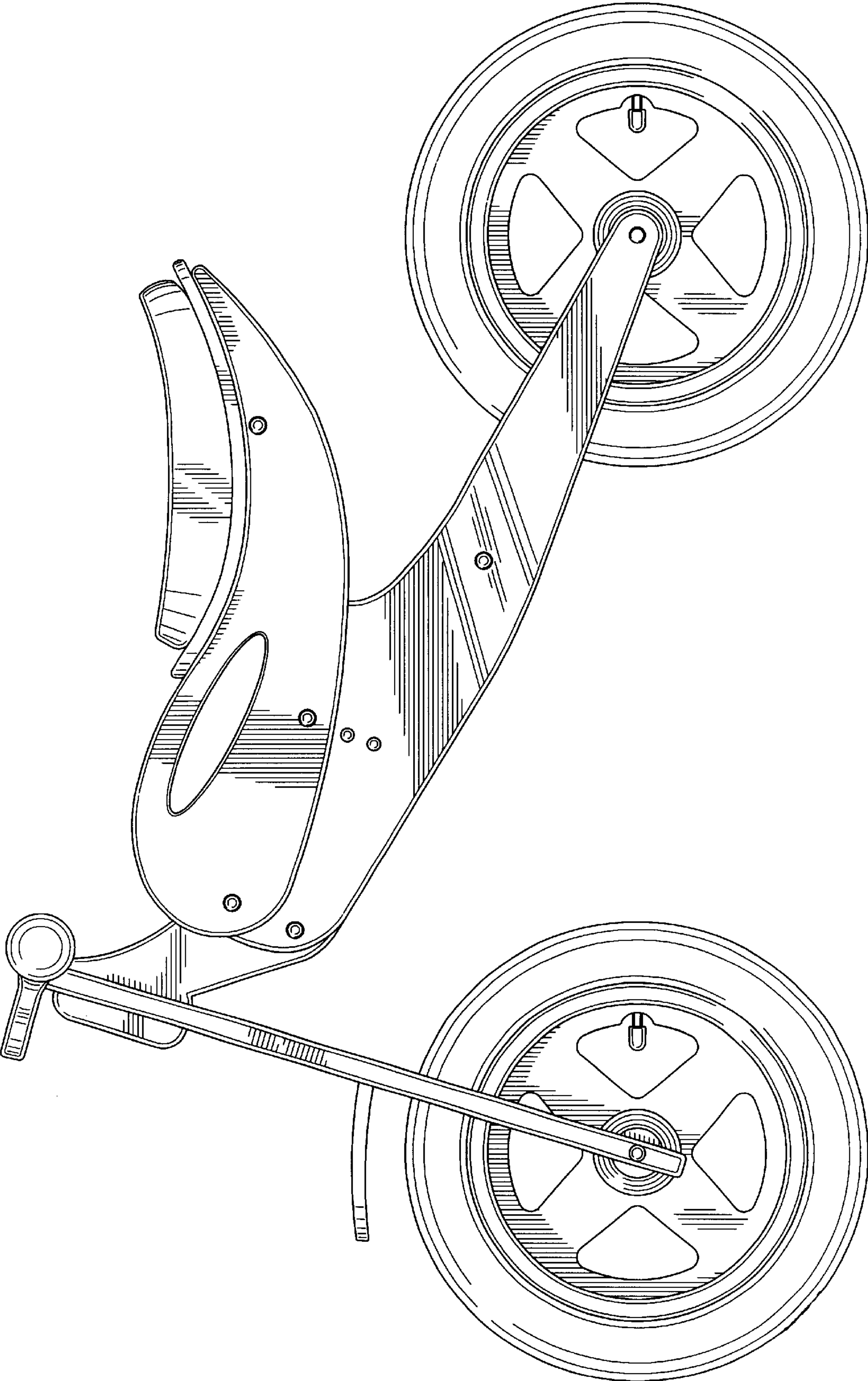


FIG. 2

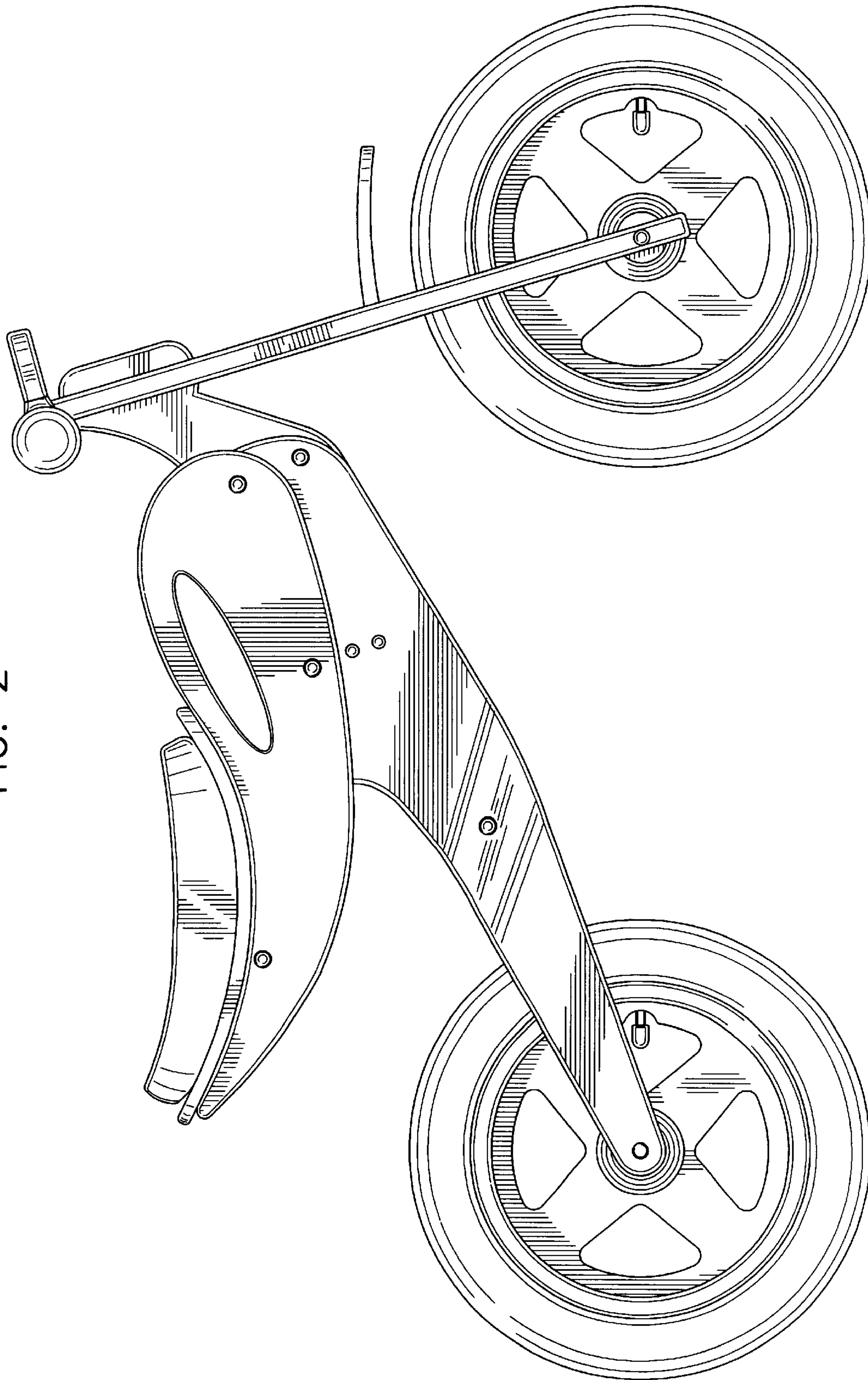


FIG. 3

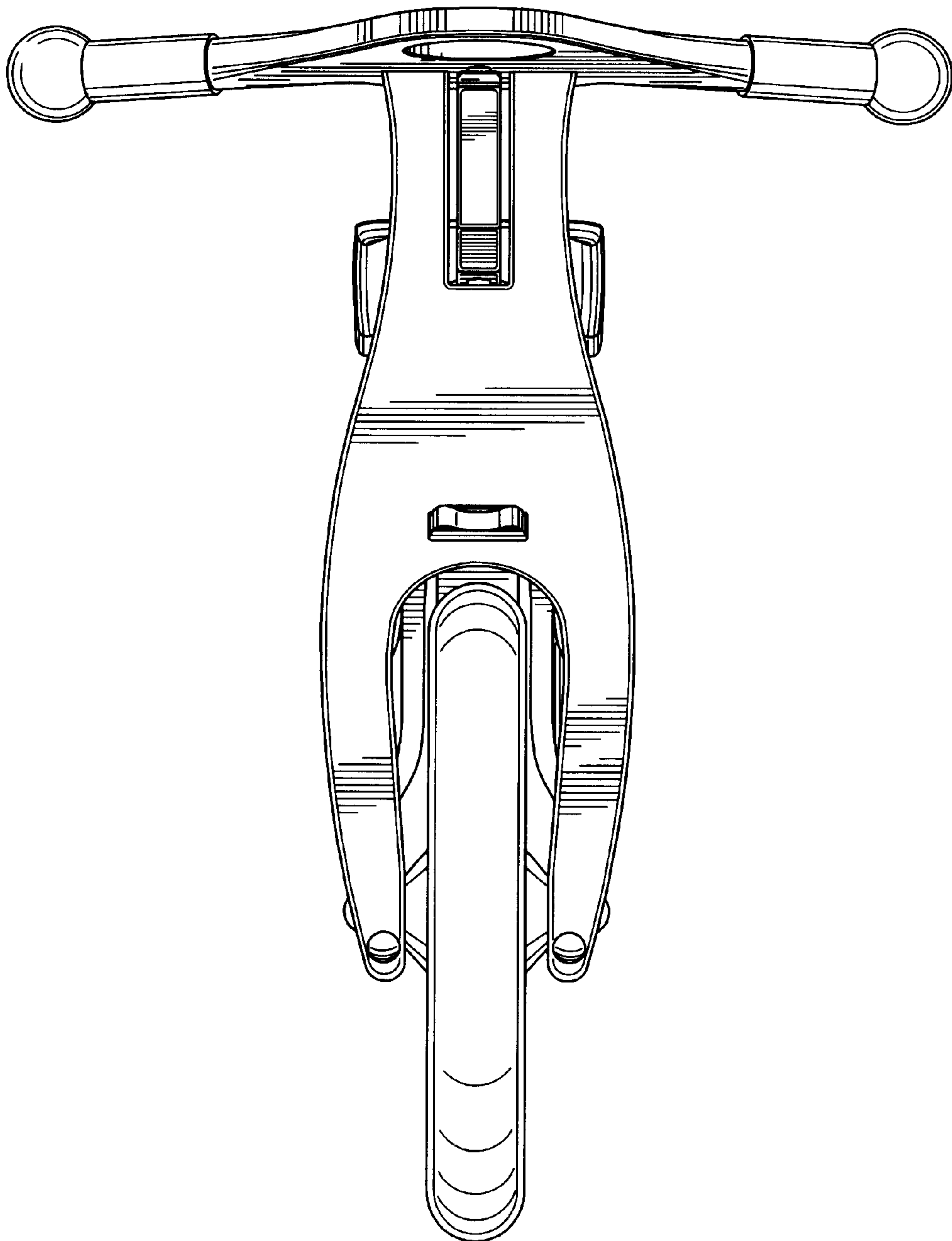


FIG. 4

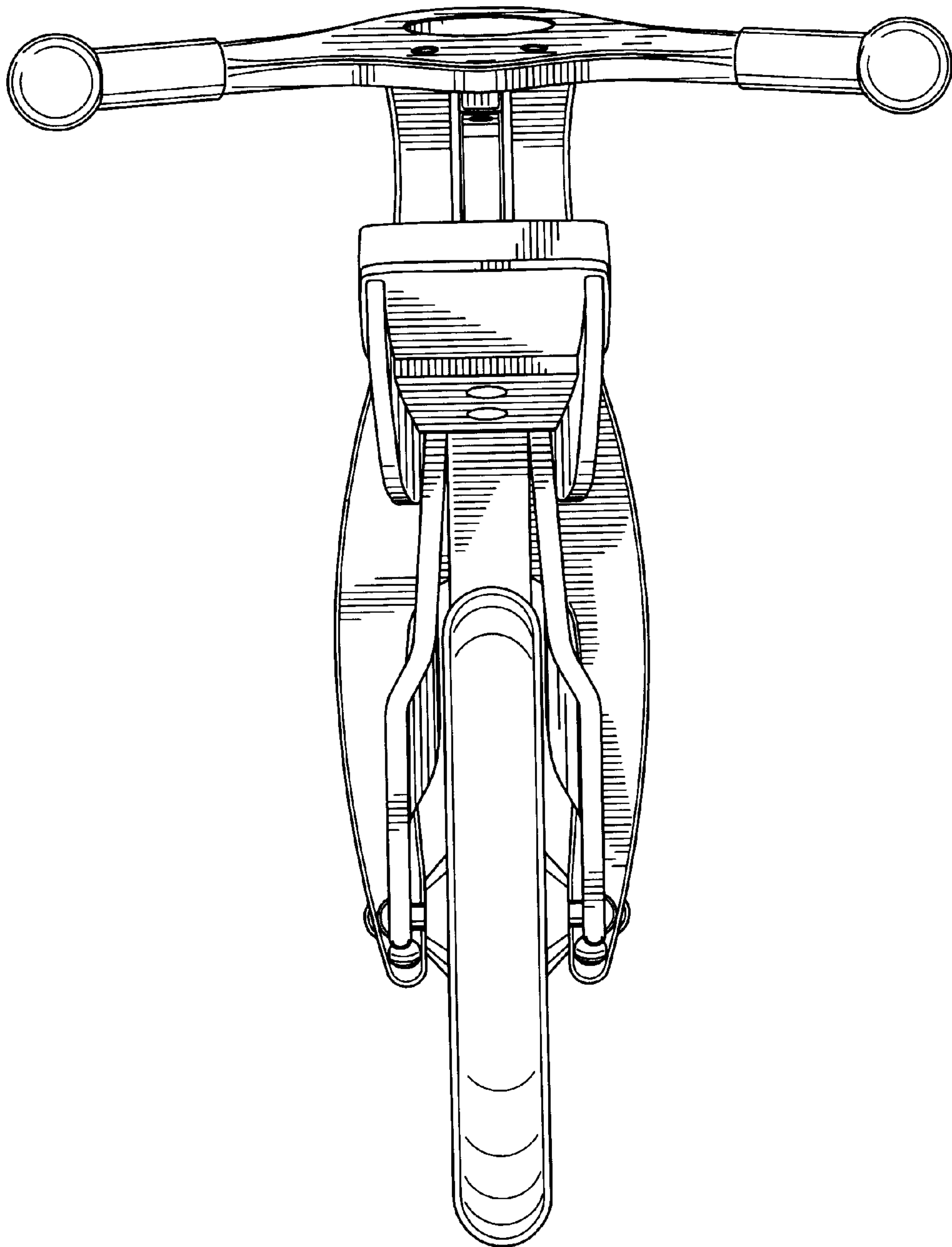


FIG. 5

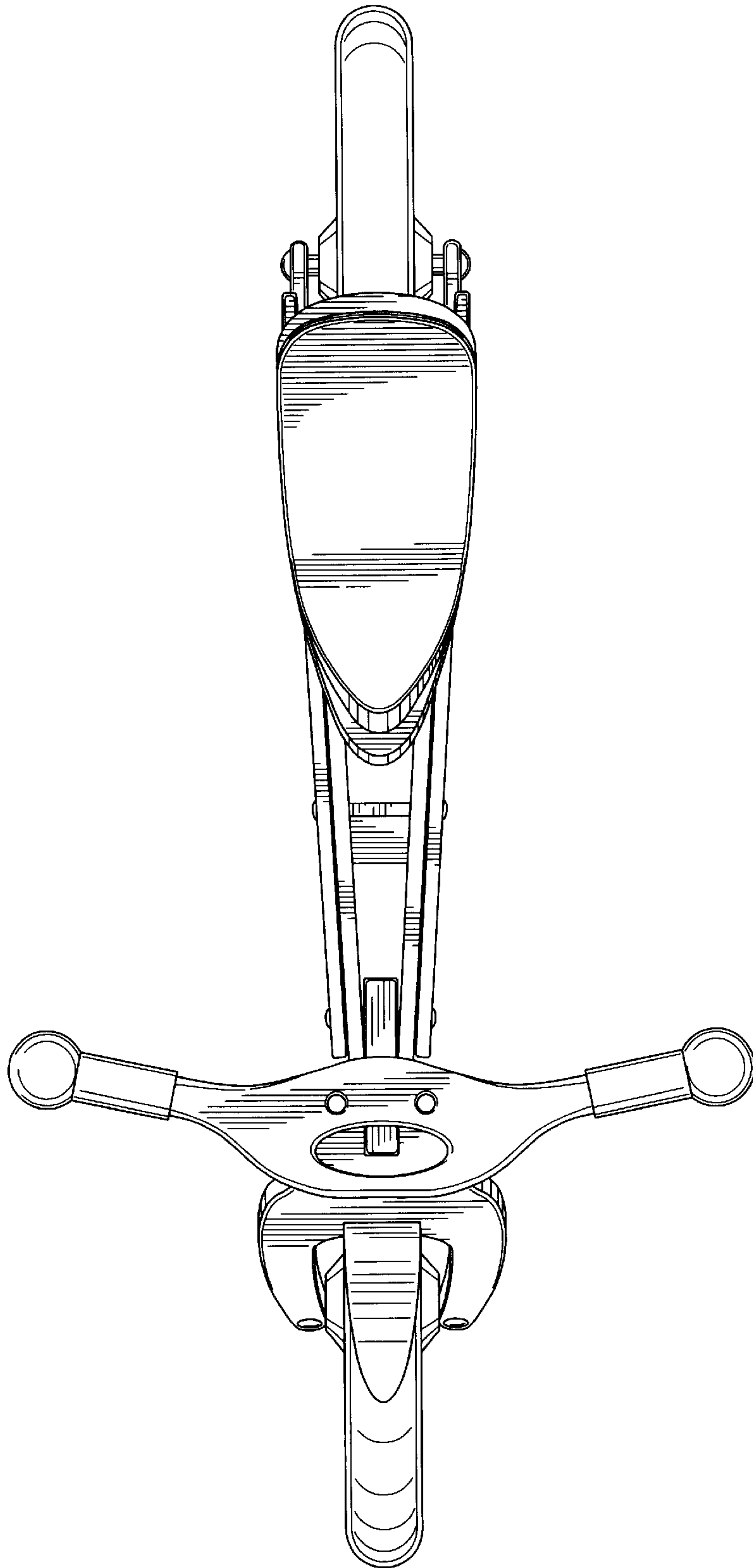


FIG. 6

