



US00D537757S

(12) **United States Design Patent**
Hashimoto et al.

(10) **Patent No.:** **US D537,757 S**

(45) **Date of Patent:** **** Mar. 6, 2007**

(54) **MOTOR BICYCLE**

(75) Inventors: **Kiyoshi Hashimoto**, Tokyo-to (JP);
Junji Terada, Shizuoka-ken (JP);
Toshiki Hirata, Shizuoka-ken (JP)

(73) Assignee: **Yamaha Hatsudoki Kabushiki Kaisha**
(JP)

(**) Term: **14 Years**

(21) Appl. No.: **29/251,386**

(22) Filed: **Jan. 5, 2006**

(30) **Foreign Application Priority Data**

Jul. 8, 2005 (JP) 2005-019936

(51) **LOC (8) Cl.** **12-11**

(52) **U.S. Cl.** **D12/110**

(58) **Field of Classification Search** D12/110;
180/219, 220, 225, 229

See application file for complete search history.

(56) **References Cited**

U.S. PATENT DOCUMENTS

D341,341 S * 11/1993 Nakamura et al. D12/110

D490,750 S * 6/2004 Hoshino D12/110
D503,908 S * 4/2005 Tomomatsu et al. D12/110
D514,987 S * 2/2006 Hsiao D12/110

* cited by examiner

Primary Examiner—Alan P. Douglas

Assistant Examiner—Linda Brooks

(74) *Attorney, Agent, or Firm*—Ostrolenk, Faber, Gerb &
Soffen, LLP

(57) **CLAIM**

The ornamental design for a motor bicycle, as shown.

DESCRIPTION

FIG. 1 is front, left perspective view of a motor bicycle showing our new design;

FIG. 2 is a left side view thereof;

FIG. 3 is a right side view thereof;

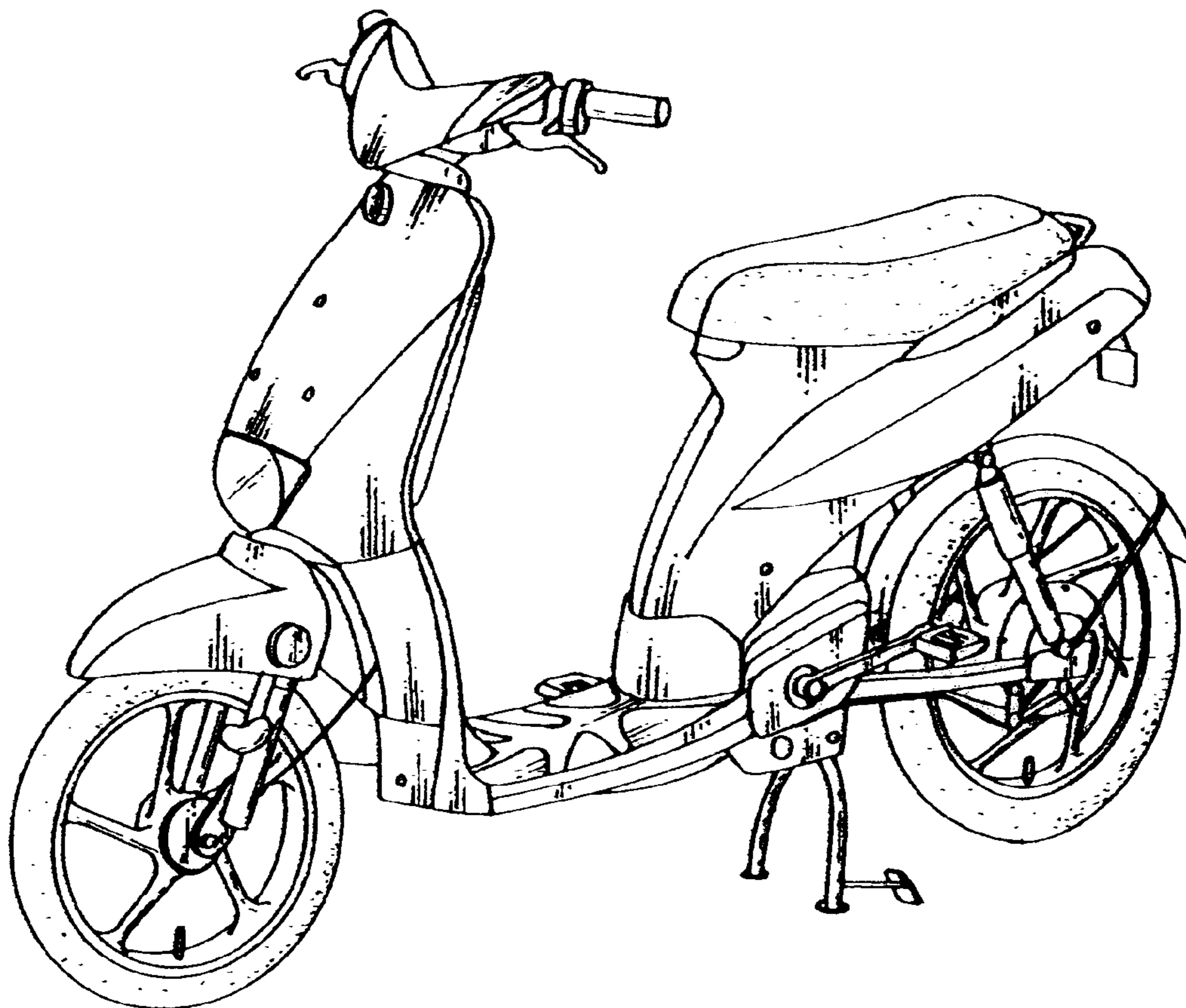
FIG. 4 is a front view thereof;

FIG. 5 is a rear view thereof;

FIG. 6 is a top plain view thereof; and,

FIG. 7 is a bottom view thereof.

1 Claim, 4 Drawing Sheets



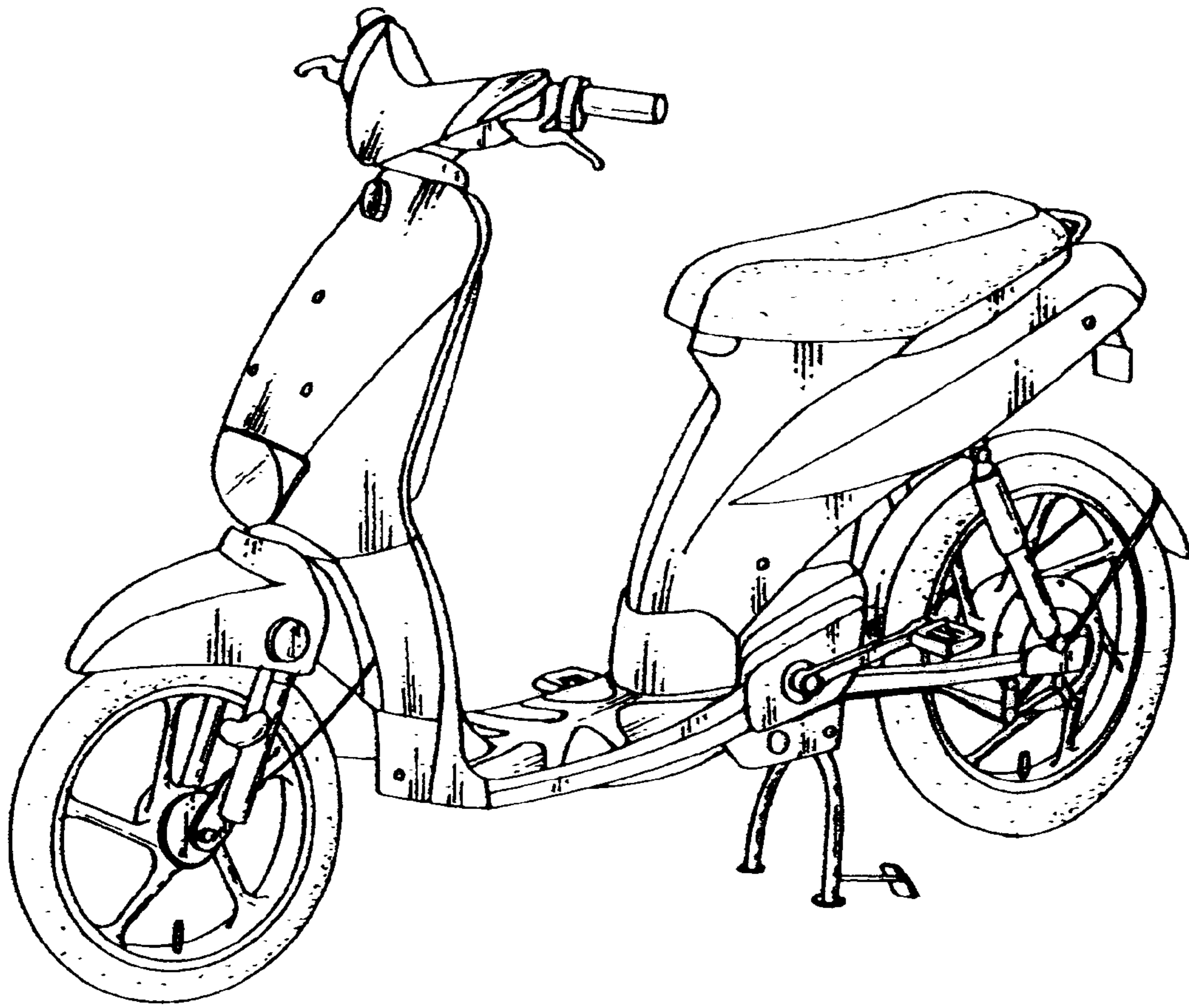


FIG. 1

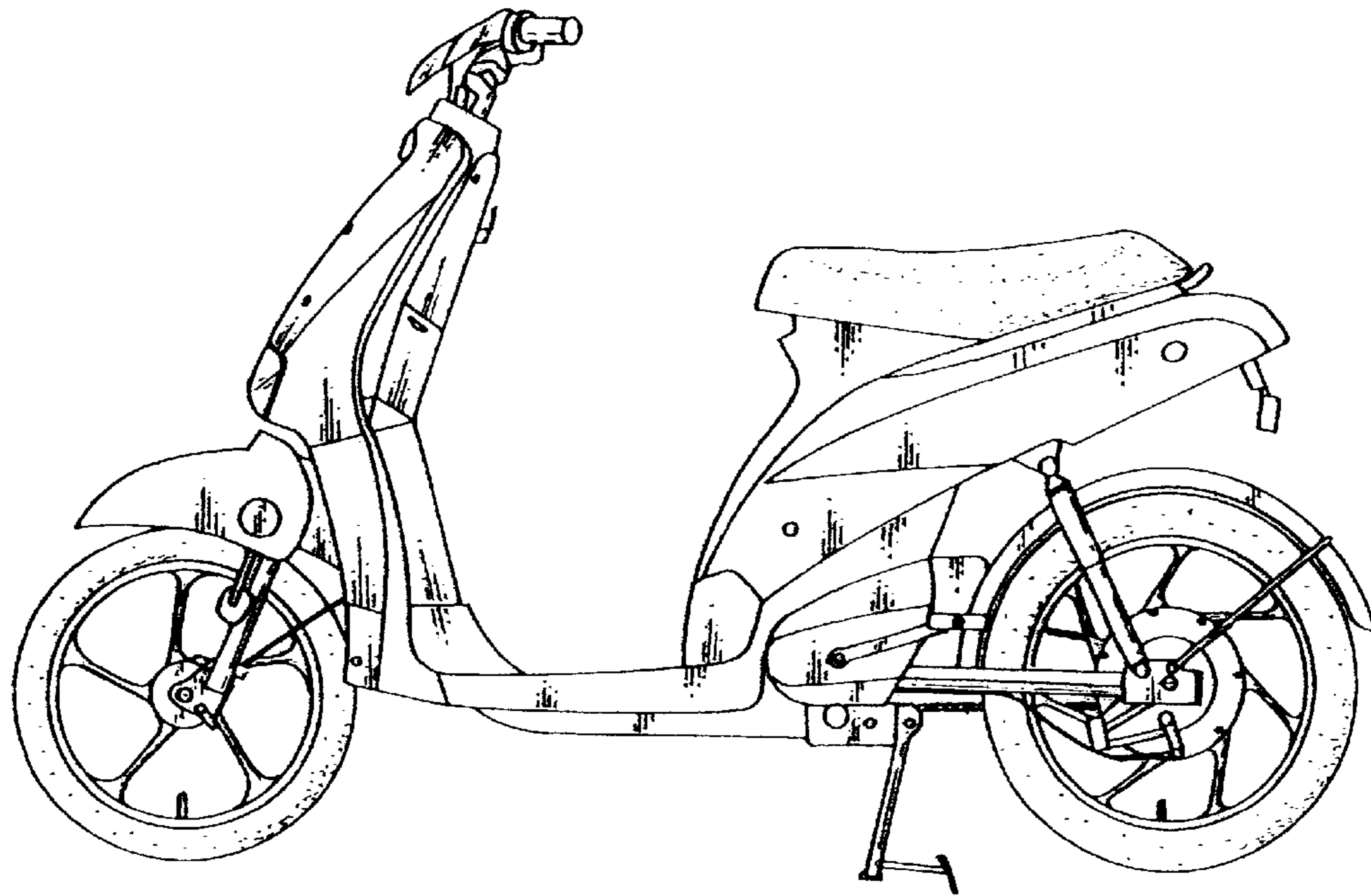


FIG. 2

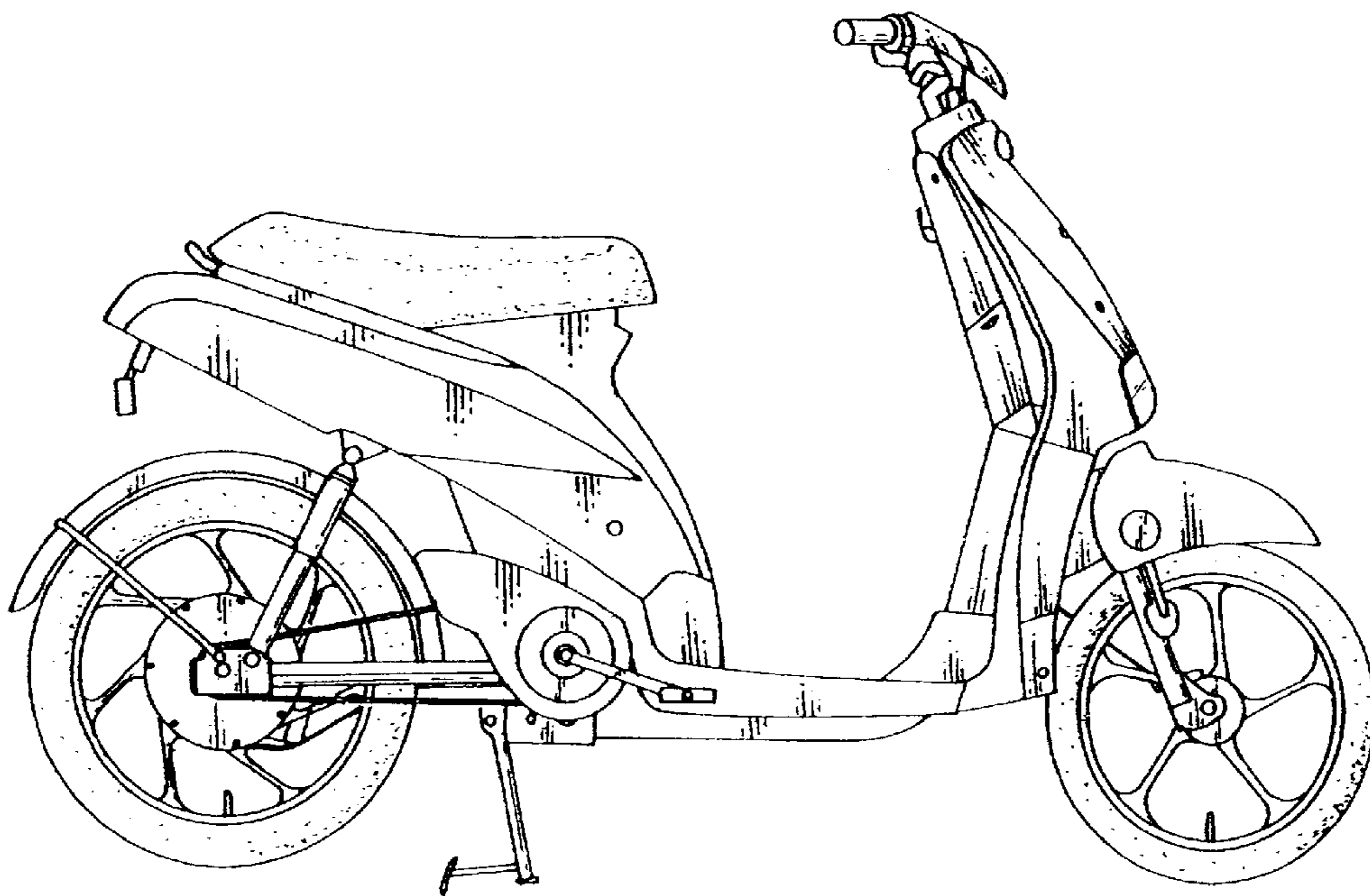


FIG. 3

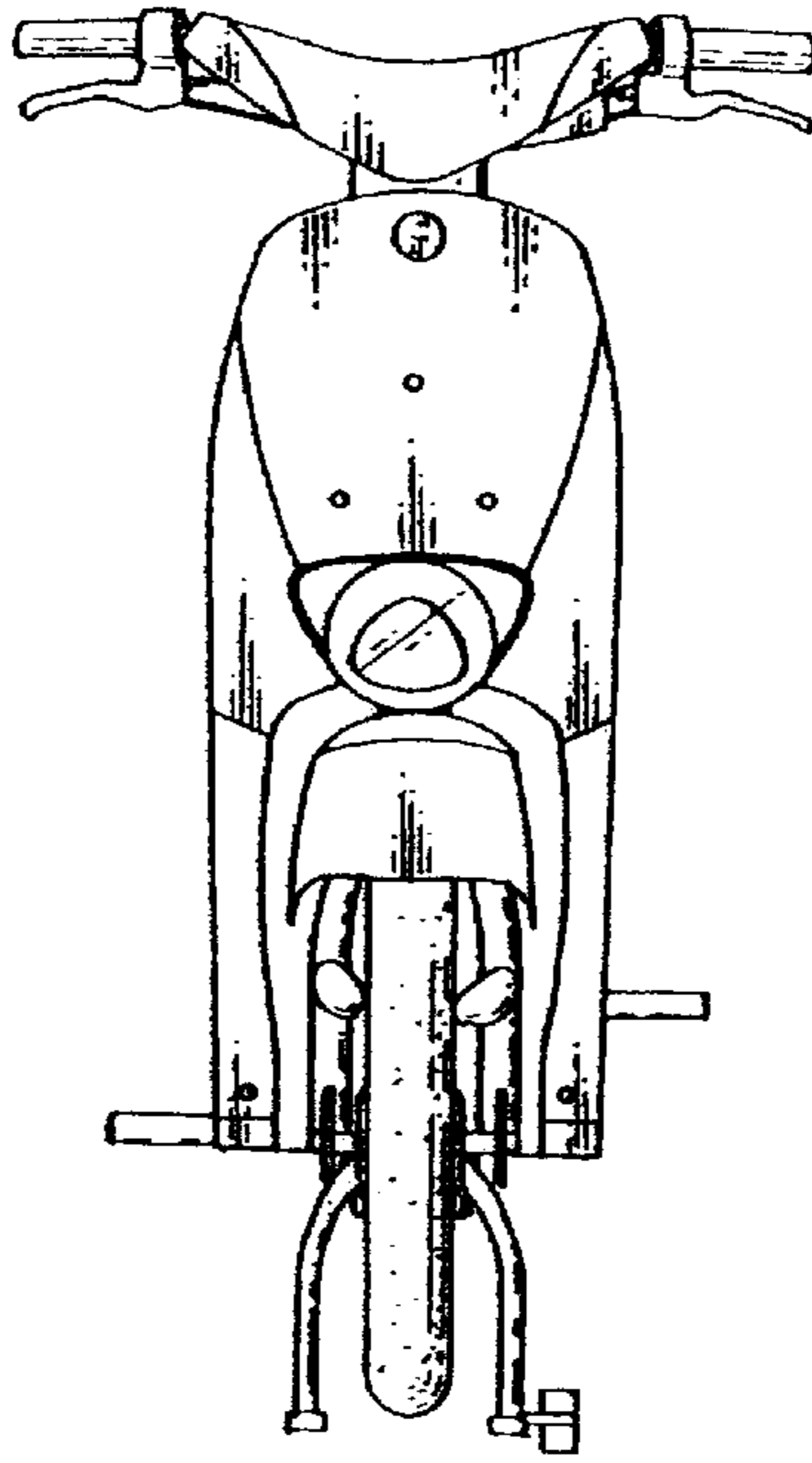


FIG. 4

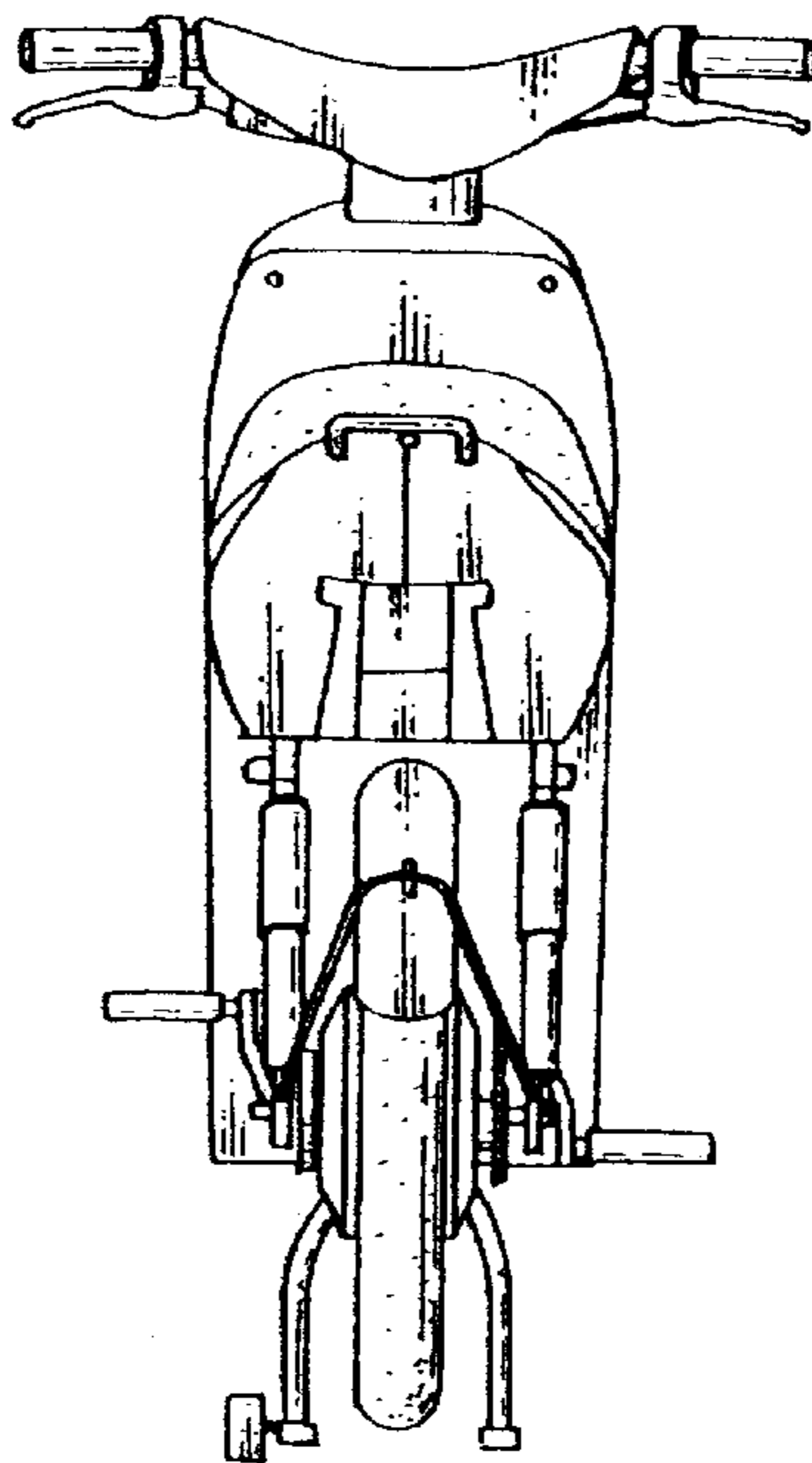


FIG. 5

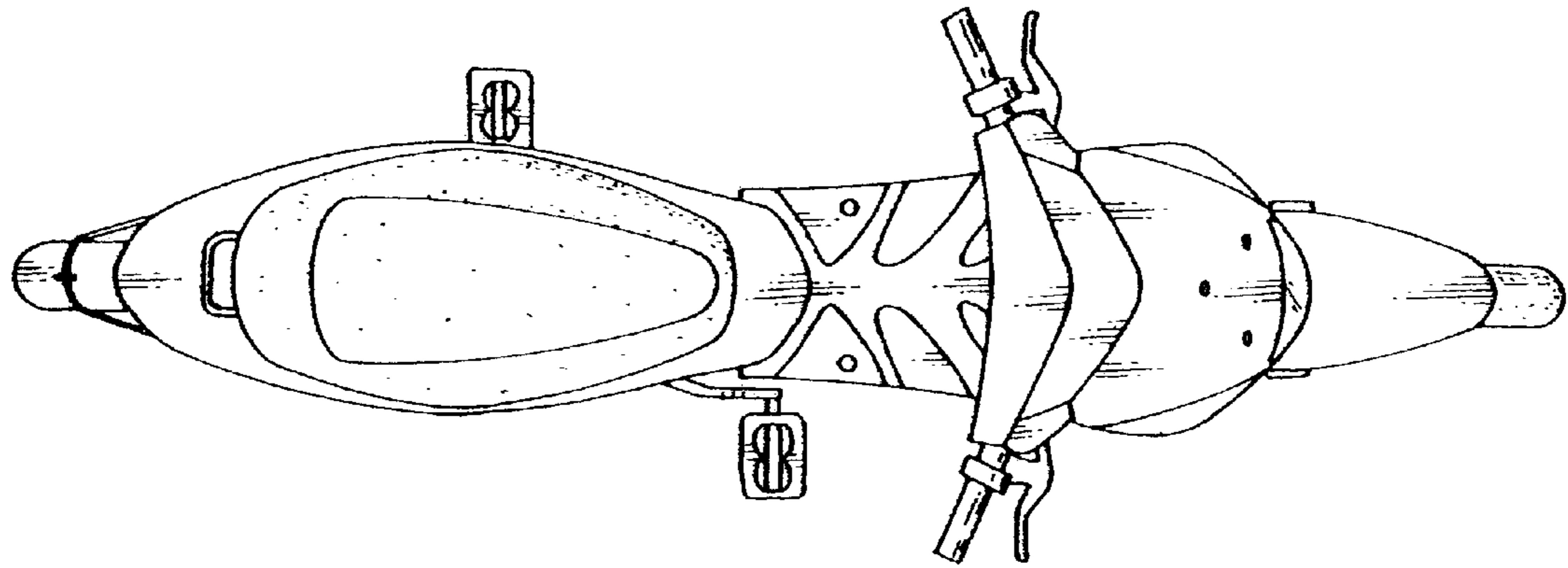


FIG. 6

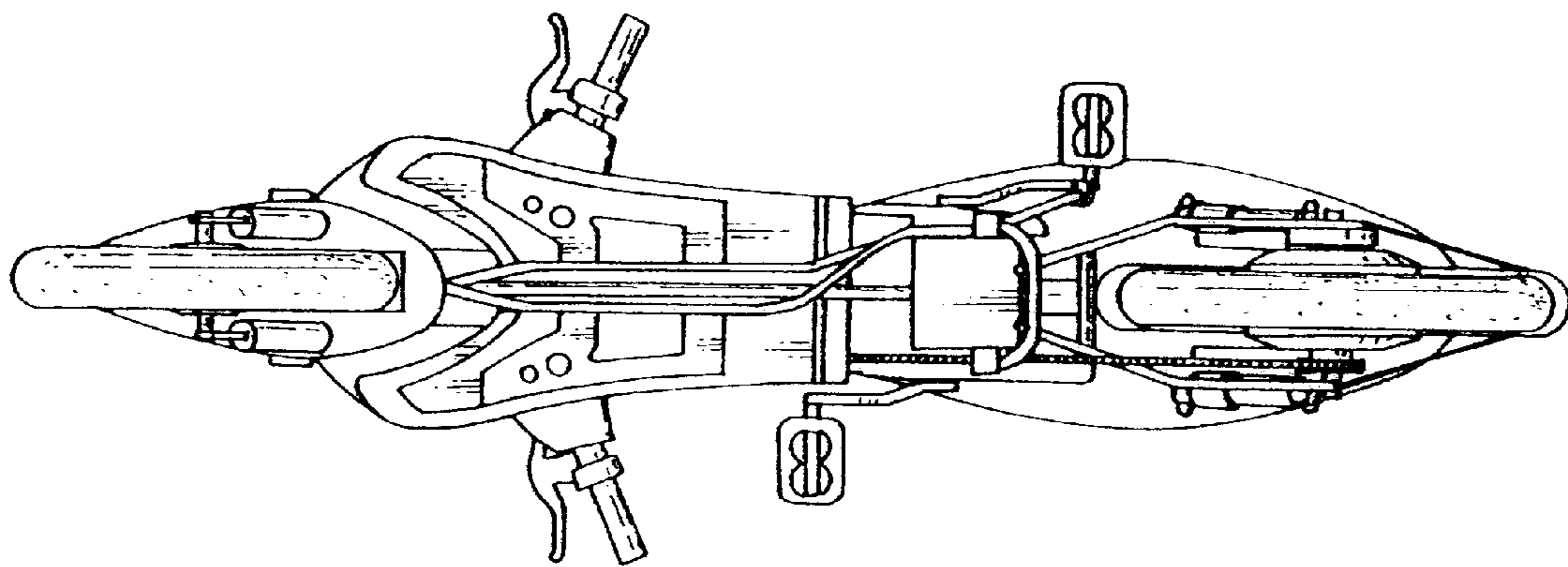


FIG. 7