



US00D537754S

(12) **United States Design Patent**
Flores

(10) **Patent No.:** **US D537,754 S**

(45) **Date of Patent:** **** Mar. 6, 2007**

(54) **HANDYMAN CUFFLINKS**

(76) **Inventor:** **Raul O. Flores**, 482 W. San Ysidro Blvd., #2171, San Ysidro, CA (US) 92173

(**) **Term:** **14 Years**

(21) **Appl. No.:** **29/240,747**

(22) **Filed:** **Oct. 18, 2005**

(51) **LOC (8) Cl.** **02-07**

(52) **U.S. Cl.** **D11/226**

(58) **Field of Classification Search** D11/226,
D11/222, 223, 228; 24/90.1, 90-92, 100;
63/20; 411/387, 387.1

See application file for complete search history.

(56) **References Cited**

U.S. PATENT DOCUMENTS

3,149,385 A * 9/1964 Beekenkamp D11/226

D274,017 S * 5/1984 Engelhardt D11/226
5,551,818 A * 9/1996 Koppel 411/387.1
D377,919 S * 2/1997 Singer et al. D11/226
D449,564 S * 10/2001 Platt D11/222

* cited by examiner

Primary Examiner—Catherine R. Oliver

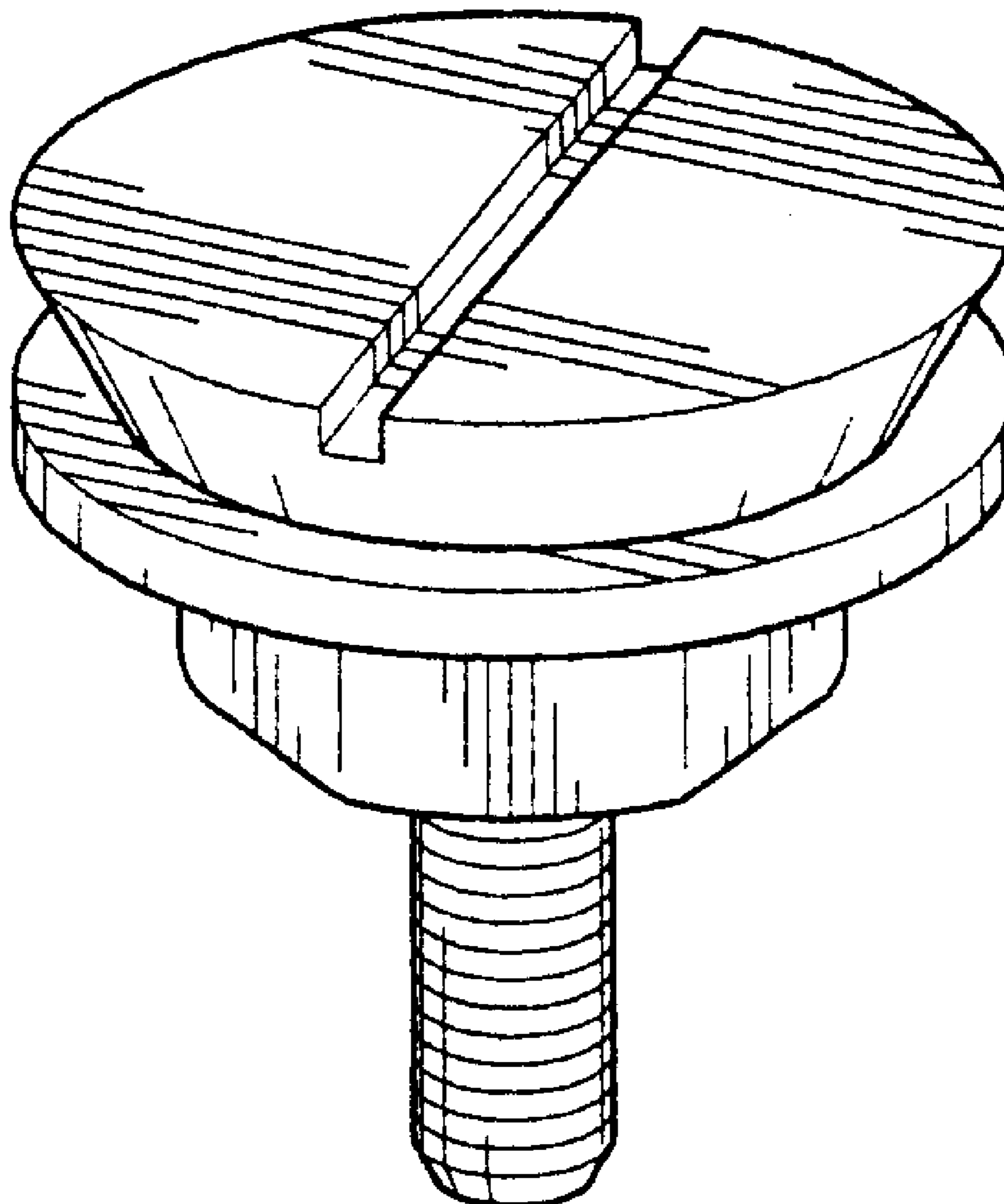
(57) **CLAIM**

I claim the ornamental design for the handyman cufflinks, as shown.

DESCRIPTION

FIG. 1 is a perspective view of the handyman cufflinks;
FIG. 2 is a top view of the handyman cufflinks;
FIG. 3 is a right side view of the handyman cufflinks;
FIG. 4 is a left side view of the handyman cufflinks; and,
FIG. 5 is a bottom view of the handyman cufflinks.

1 Claim, 1 Drawing Sheet



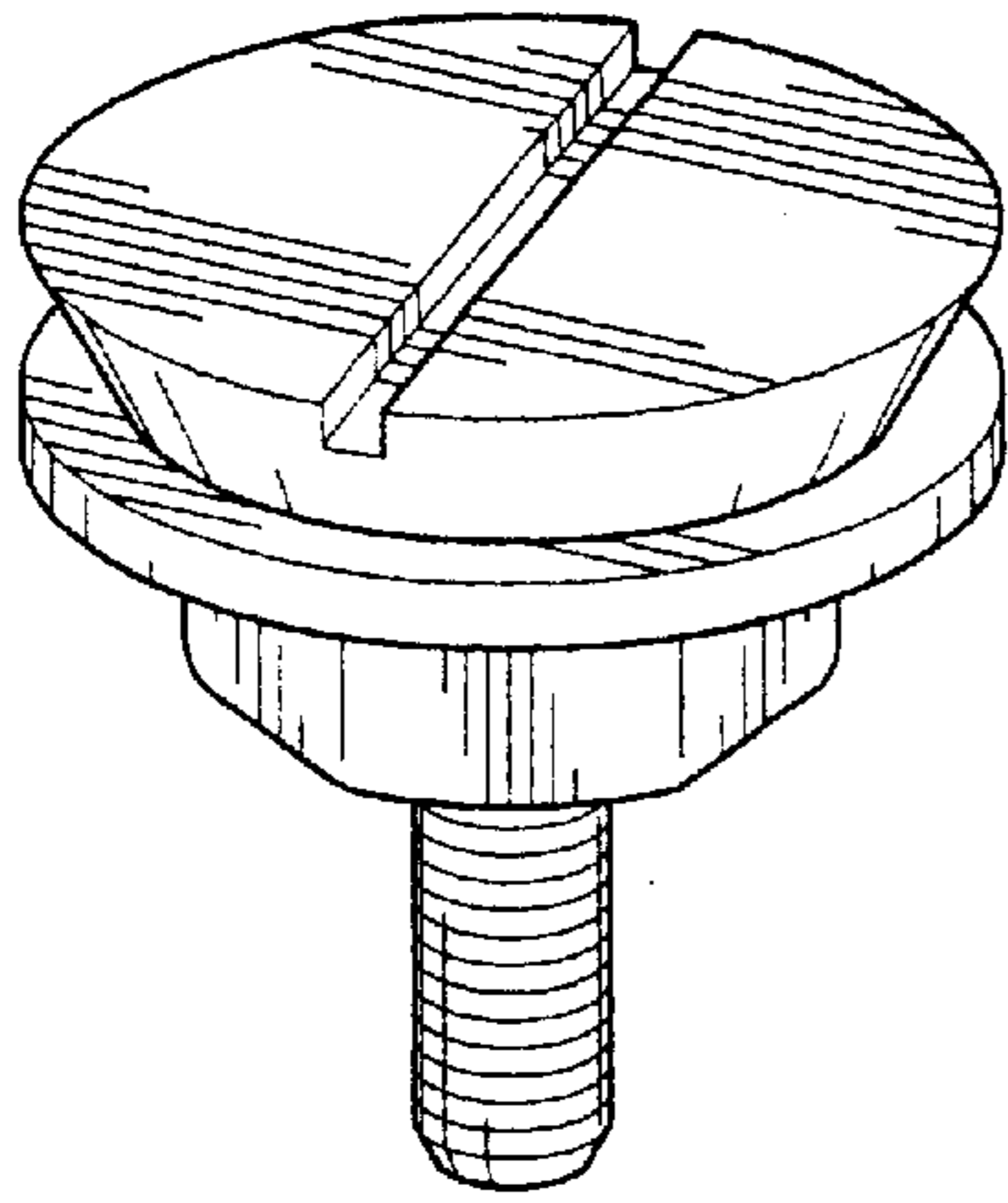


Figure 1

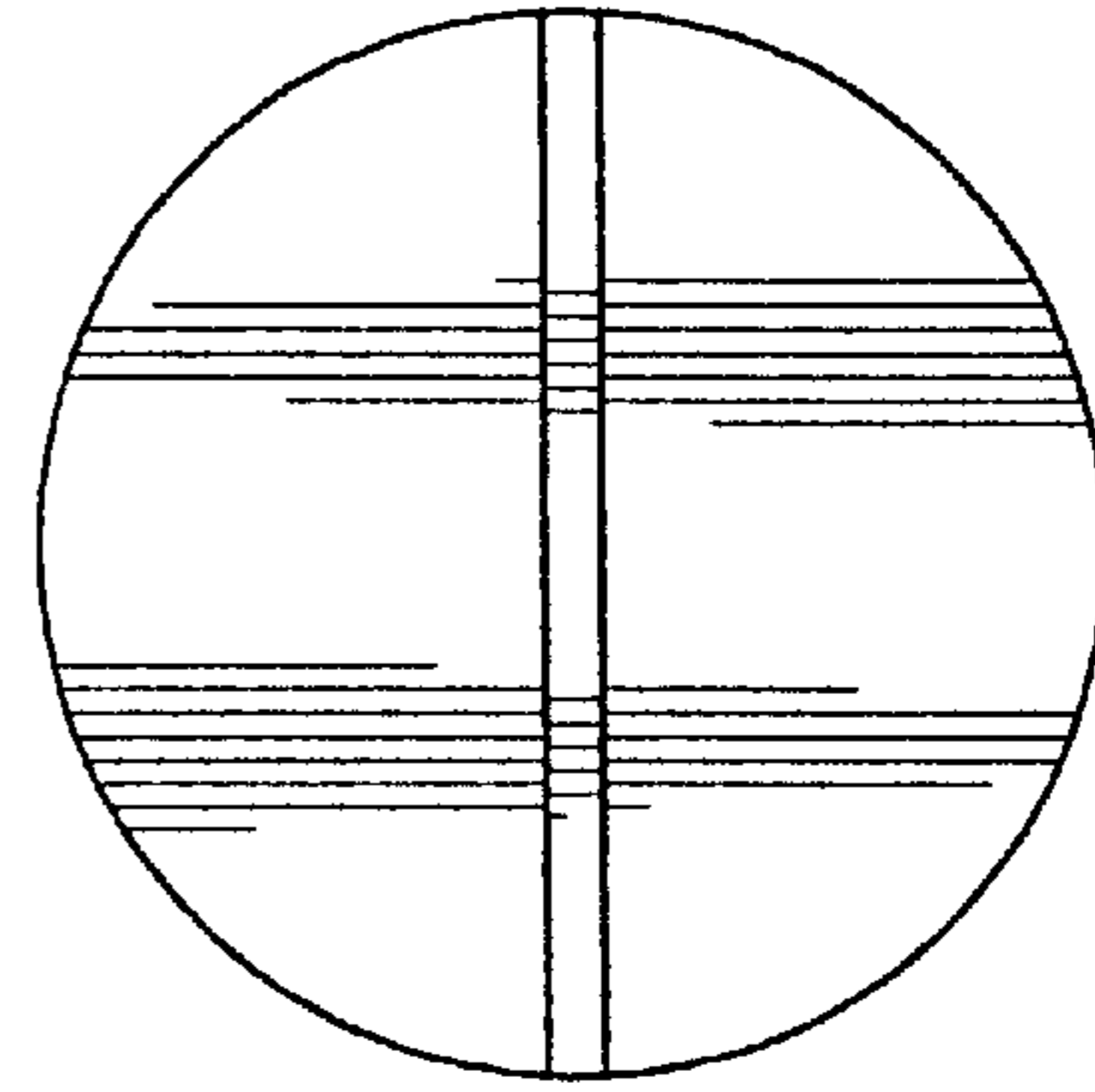


Figure 2

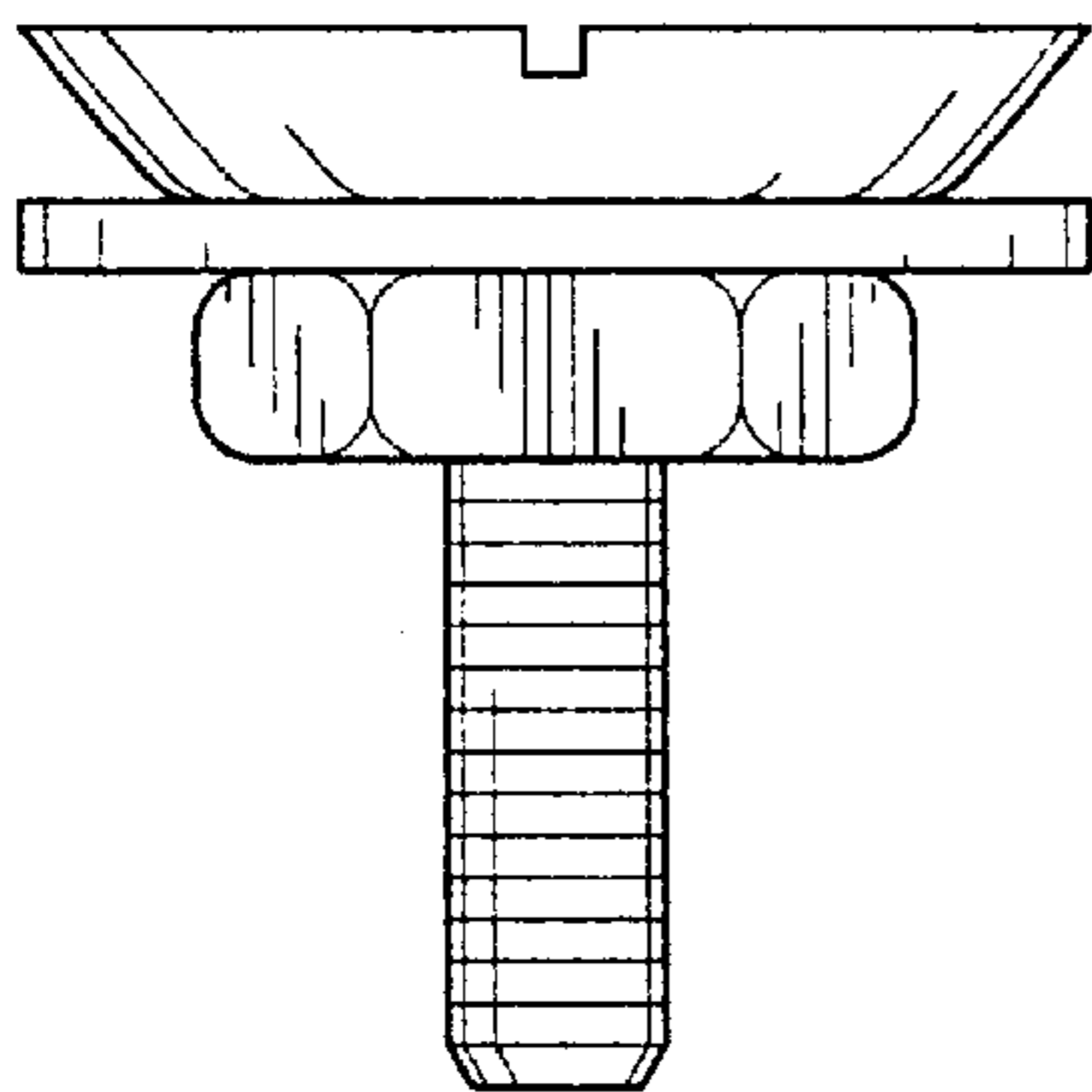


Figure 3

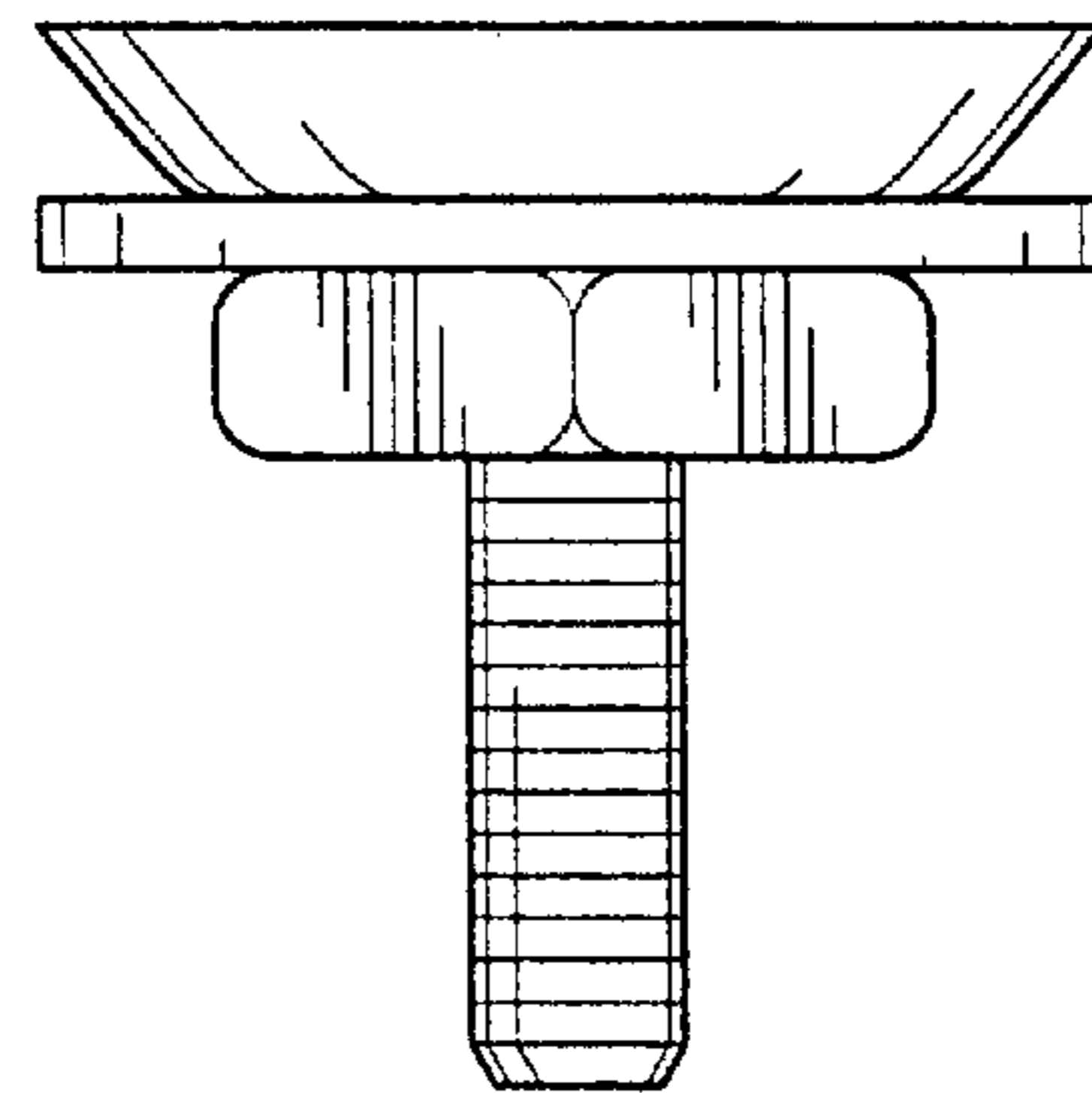


Figure 4

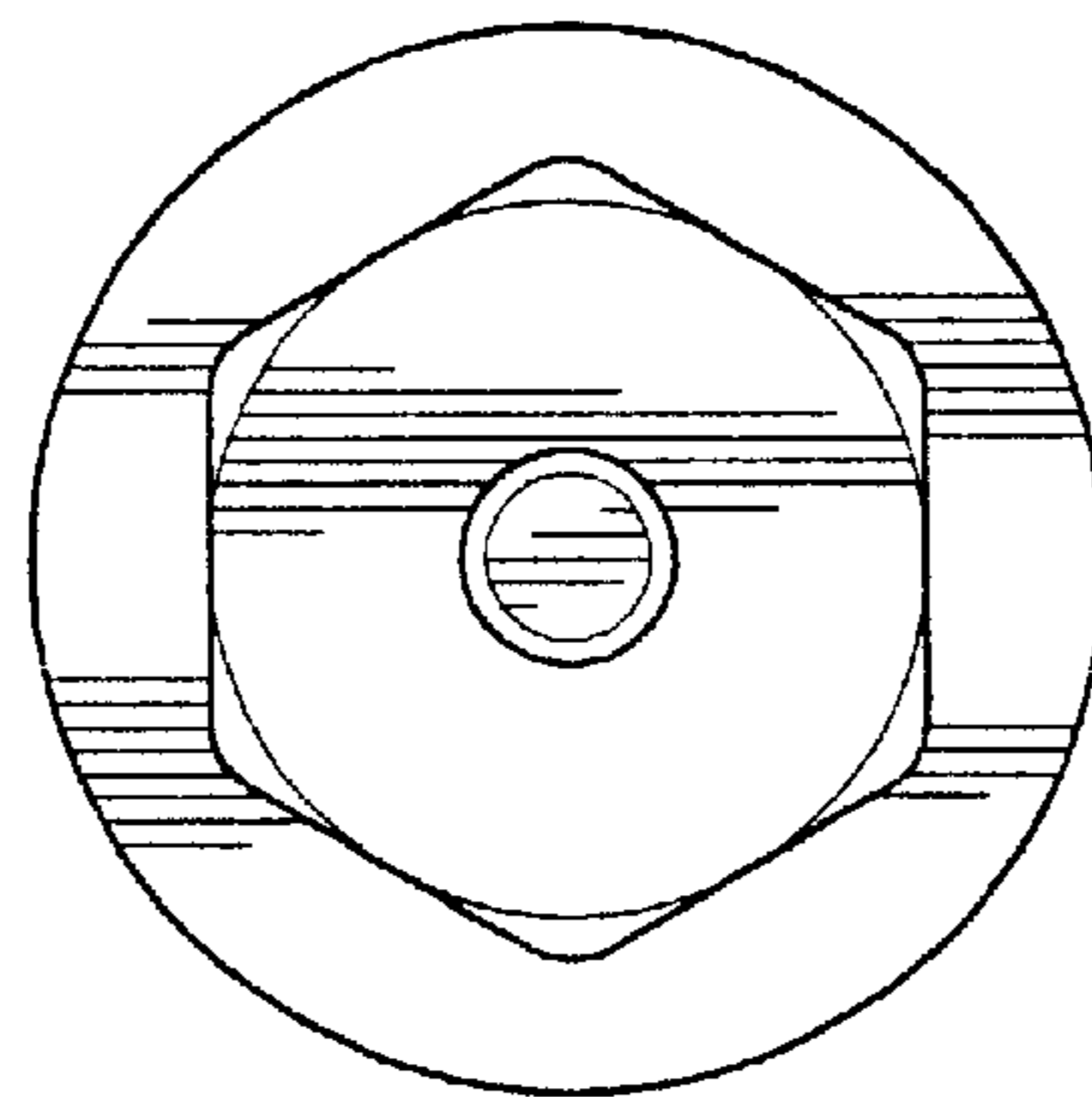


Figure 5