



US00D537752S

(12) **United States Design Patent** (10) **Patent No.:** **US D537,752 S**  
**Goldberg et al.** (45) **Date of Patent:** **\*\* \*Mar. 6, 2007**

(54) **IMAGED ELASTIC RETAINING BAND**

(75) Inventors: **Seth Goldberg**, Oceanside, NY (US);  
**Bennett Kaye**, Oceanside, NY (US)

(73) Assignee: **Grand Band Inc**, Oceanside, NJ (US)

(\*) Notice: This patent is subject to a terminal disclaimer.

(\*\*) Term: **14 Years**

(21) Appl. No.: **29/202,419**

(22) Filed: **Mar. 31, 2004**

(51) **LOC (8) Cl.** ..... **11-01**

(52) **U.S. Cl.** ..... **D11/78.1**

(58) **Field of Classification Search** ..... D11/78.1;  
D3/215, 247; 40/630, 633; D19/26, 32, 34;  
224/222; D8/395; 24/60, 485

See application file for complete search history.

(56) **References Cited**

**U.S. PATENT DOCUMENTS**

2,716,390	A	*	8/1955	Goins	.....	116/235
5,103,758	A	*	4/1992	Clark	.....	116/237
D428,823	S	*	8/2000	Davi	.....	D11/78.1
D436,399	S	*	1/2001	Poland	.....	D23/386
D447,438	S	*	9/2001	DiLibero	.....	D11/78.1
D468,090	S	*	1/2003	Tirosh	.....	D3/207
D515,966	S	*	2/2006	Loy	.....	D11/78.1

\* cited by examiner

*Primary Examiner*—Ralf Seifert

(74) *Attorney, Agent, or Firm*—Millen, White, Zelano & Branigan, P.C.

(57) **CLAIM**

The new ornamental design for an imaged elastic retaining band, as shown and described.

**DESCRIPTION**

FIG. 1 is a planar view of the new design for an imaged elastic retaining band stretched around a pack of credit cards shown in dotted lines, the imaged elastic retaining band having a slider with an imaged area thereon;

FIG. 2 is a planar view of the new design for an imaged elastic retaining band stretched around a wad of currency shown in dotted lines, the imaged elastic retaining band having a slider with an imaged area thereon;

FIG. 3 is a planar front view of the imaged elastic retaining band of FIGS. 1 and 2 in a relaxed state;

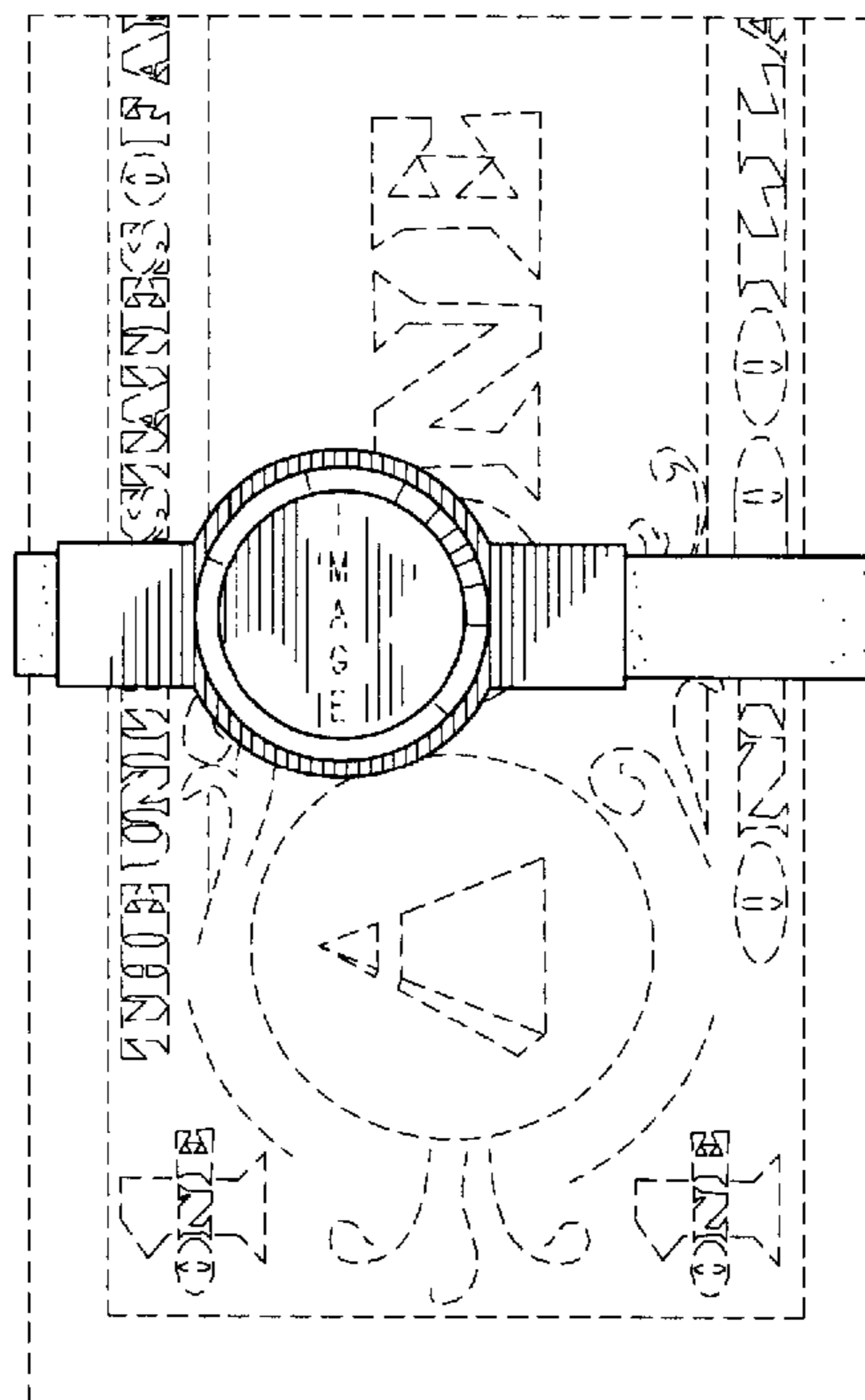
FIG. 4 is a planar rear view of the new design for the imaged elastic retaining band showing the back side of the elastic band and the back side of the slider thereon;

FIG. 5 is an enlarged end view of one end of the slider shown in FIGS. 1–4, the end view of the other end of the slider being the same; and,

FIG. 6 is an enlarged side view of the slider shown in FIGS. 1–5, the side view of the other side of the slider being the same.

The broken lines are for illustrative purposes only and form no part of the claimed design.

**1 Claim, 1 Drawing Sheet**



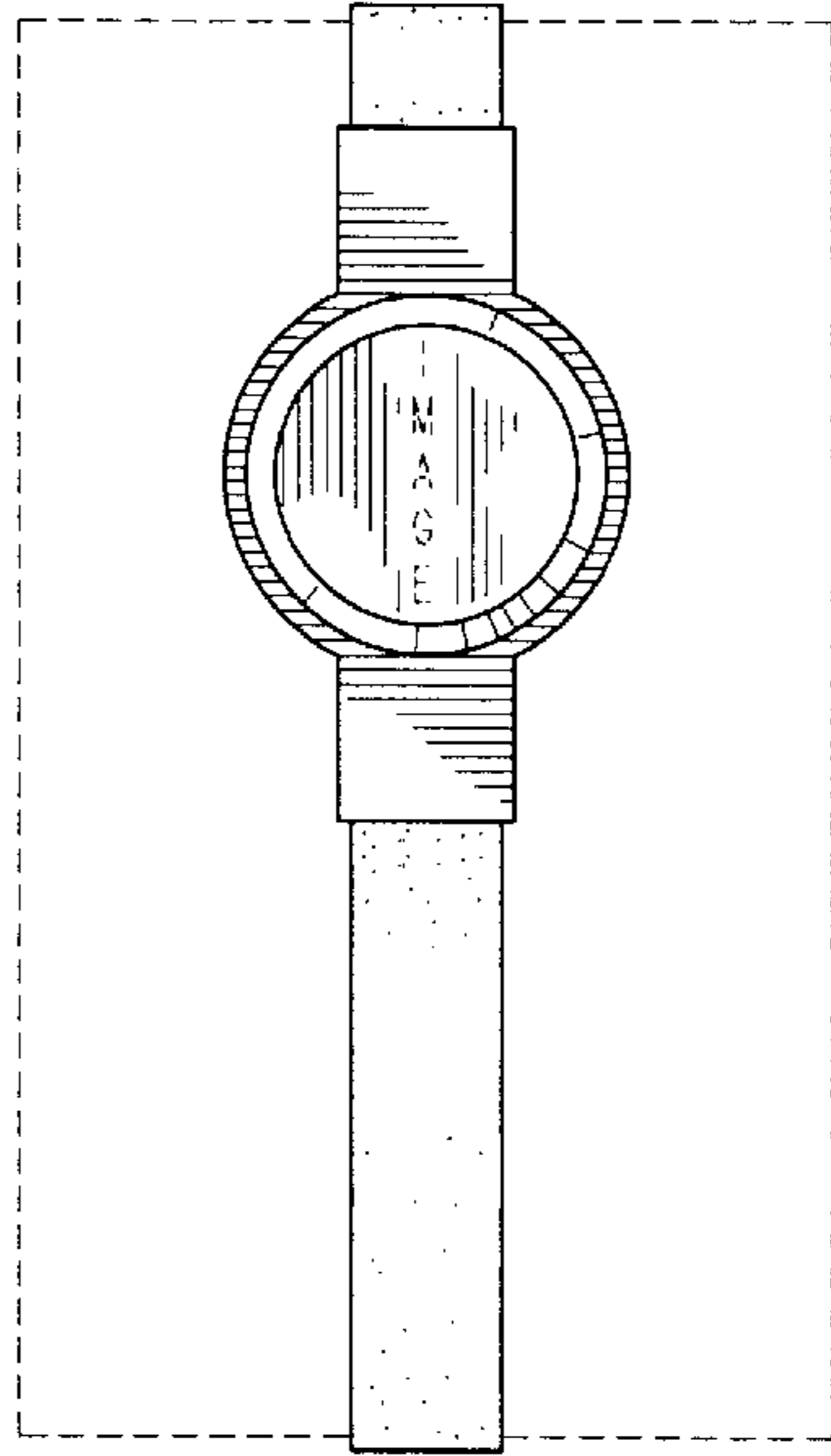


FIG. 1

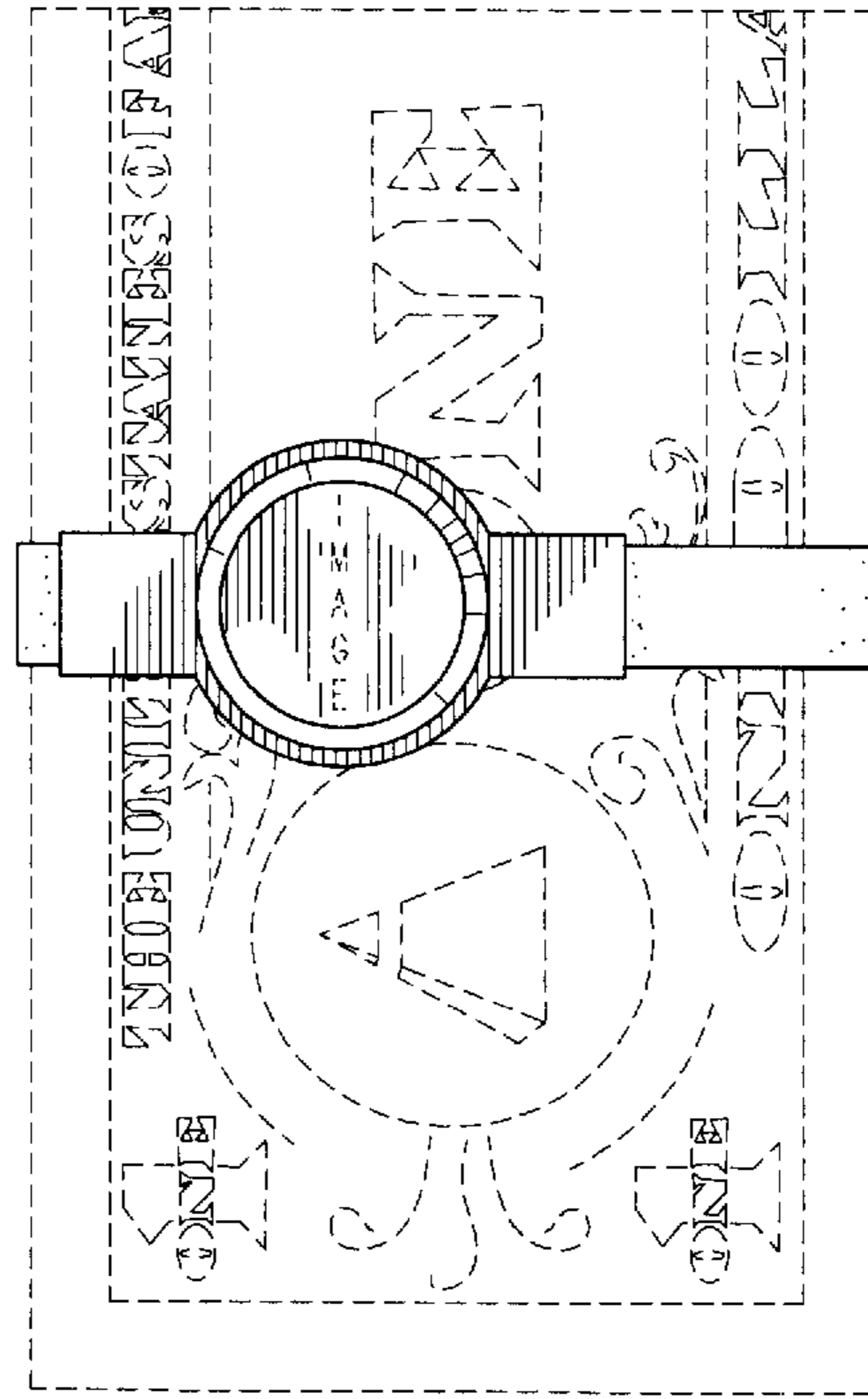


FIG. 2

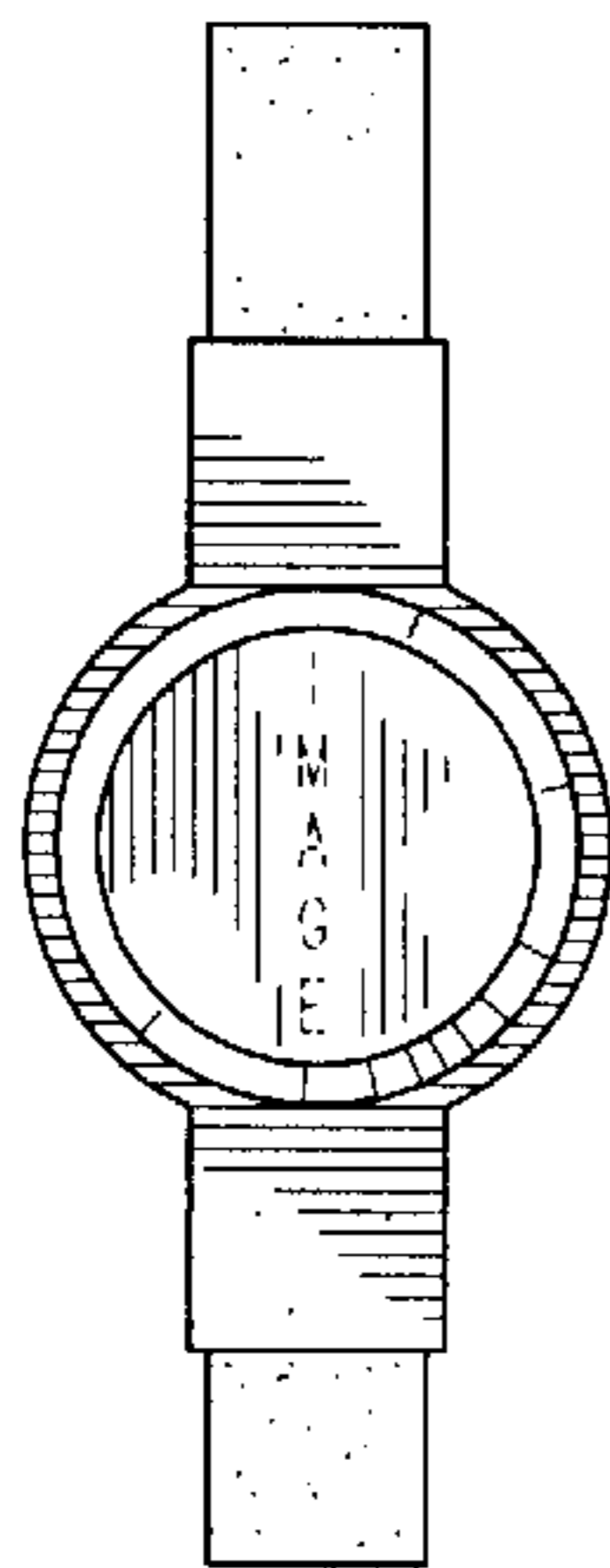


FIG. 3

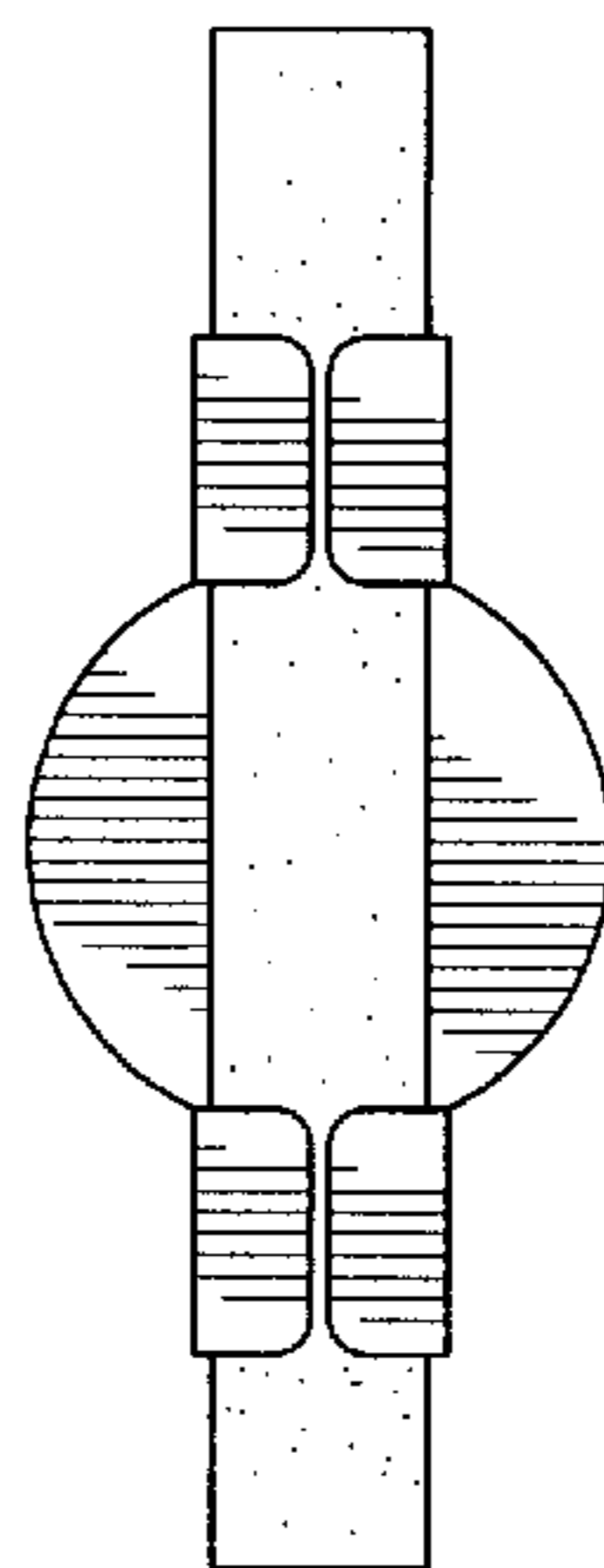


FIG. 4

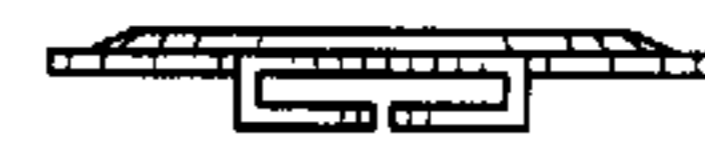


FIG. 5

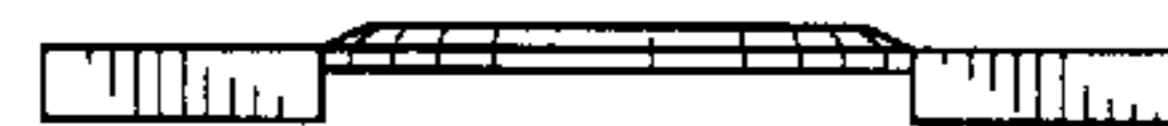


FIG. 6