



US00D537748S

(12) **United States Design Patent**
Bulgari

(10) **Patent No.:** **US D537,748 S**

(45) **Date of Patent:** **** Mar. 6, 2007**

(54) **JEWELRY ARTICLE**

(75) Inventor: **Paolo Bulgari**, Rome (IT)

(73) Assignee: **Bulgari S.p.A.**, Rome (IT)

(**) Term: **14 Years**

(21) Appl. No.: **29/227,730**

(22) Filed: **Apr. 14, 2005**

(30) **Foreign Application Priority Data**

Oct. 14, 2004 (EM) 000239074-0012

(51) **LOC (8) Cl.** **11-01**

(52) **U.S. Cl.** **D11/26**

(58) **Field of Classification Search** D11/26-39,
D11/89-92; 63/15, 15.1-15.4, 15.45, 15.5,
63/15.6, 15.65, 15.7, 26-27
See application file for complete search history.

(56) **References Cited**

U.S. PATENT DOCUMENTS

D70,276 S * 6/1926 Hammond D11/27
D134,357 S * 11/1942 Karples D11/30

D199,363 S * 10/1964 Adolph D11/89
D248,741 S * 8/1978 Barr D11/33
D254,300 S * 2/1980 Minassian D11/28
D254,537 S * 3/1980 Abelson D11/34
D439,863 S * 4/2001 Cabarbaye D11/26

* cited by examiner

Primary Examiner—Ian Simmons

Assistant Examiner—Melanie Levy

(74) *Attorney, Agent, or Firm*—Reising, Ethington, Barnes,
Kisselle, P.C.

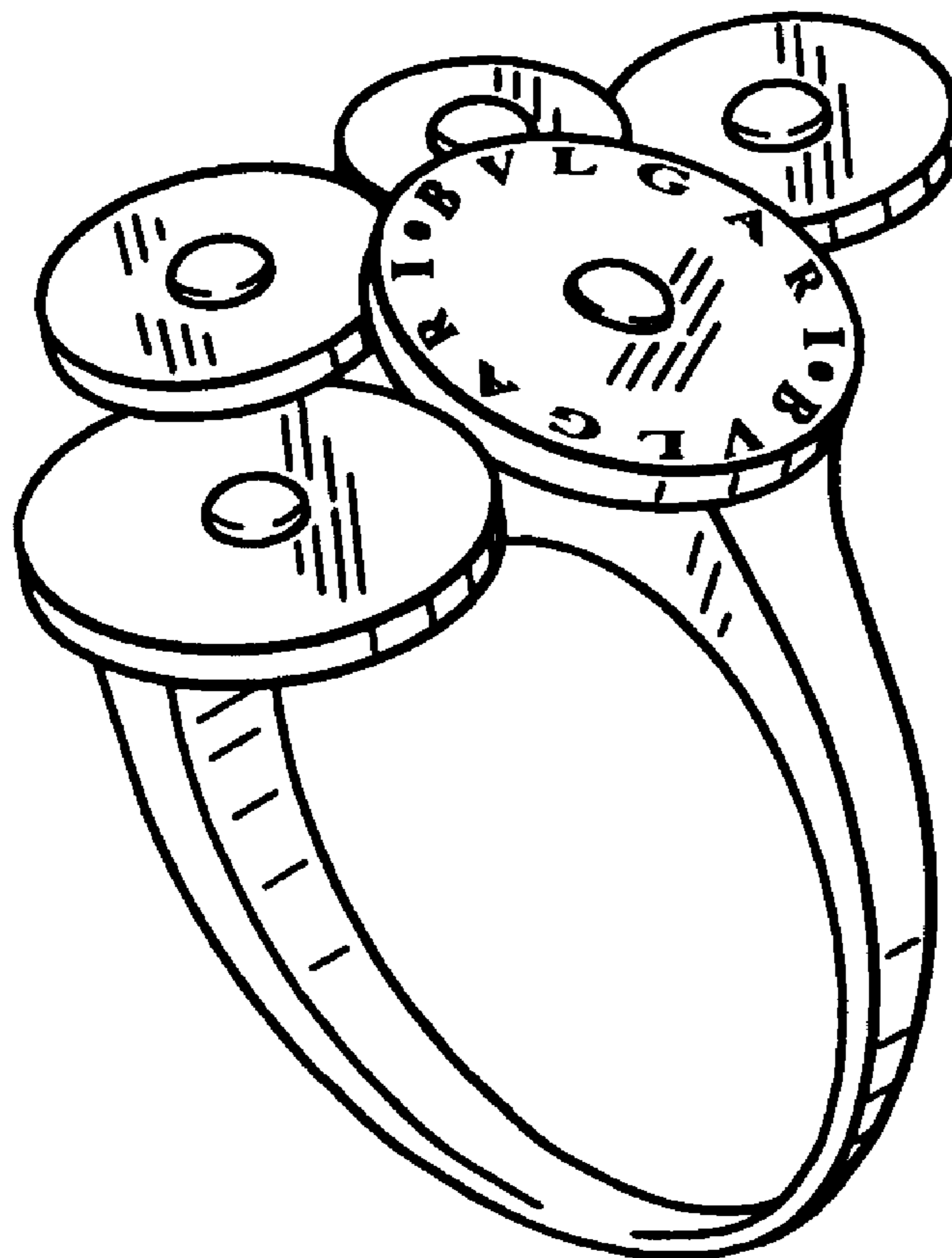
(57) **CLAIM**

The ornamental design for a jewelry article, as shown.

DESCRIPTION

FIG. 1 is a front view of the jewelry article;
FIG. 2 is a left side view of the jewelry article;
FIG. 3 is a rear view of the jewelry article;
FIG. 4 is a right side view of the jewelry article;
FIG. 5 is a top view of the jewelry article;
FIG. 6 is a bottom view of the jewelry article; and,
FIG. 7 is a perspective view of the jewelry article.

1 Claim, 1 Drawing Sheet



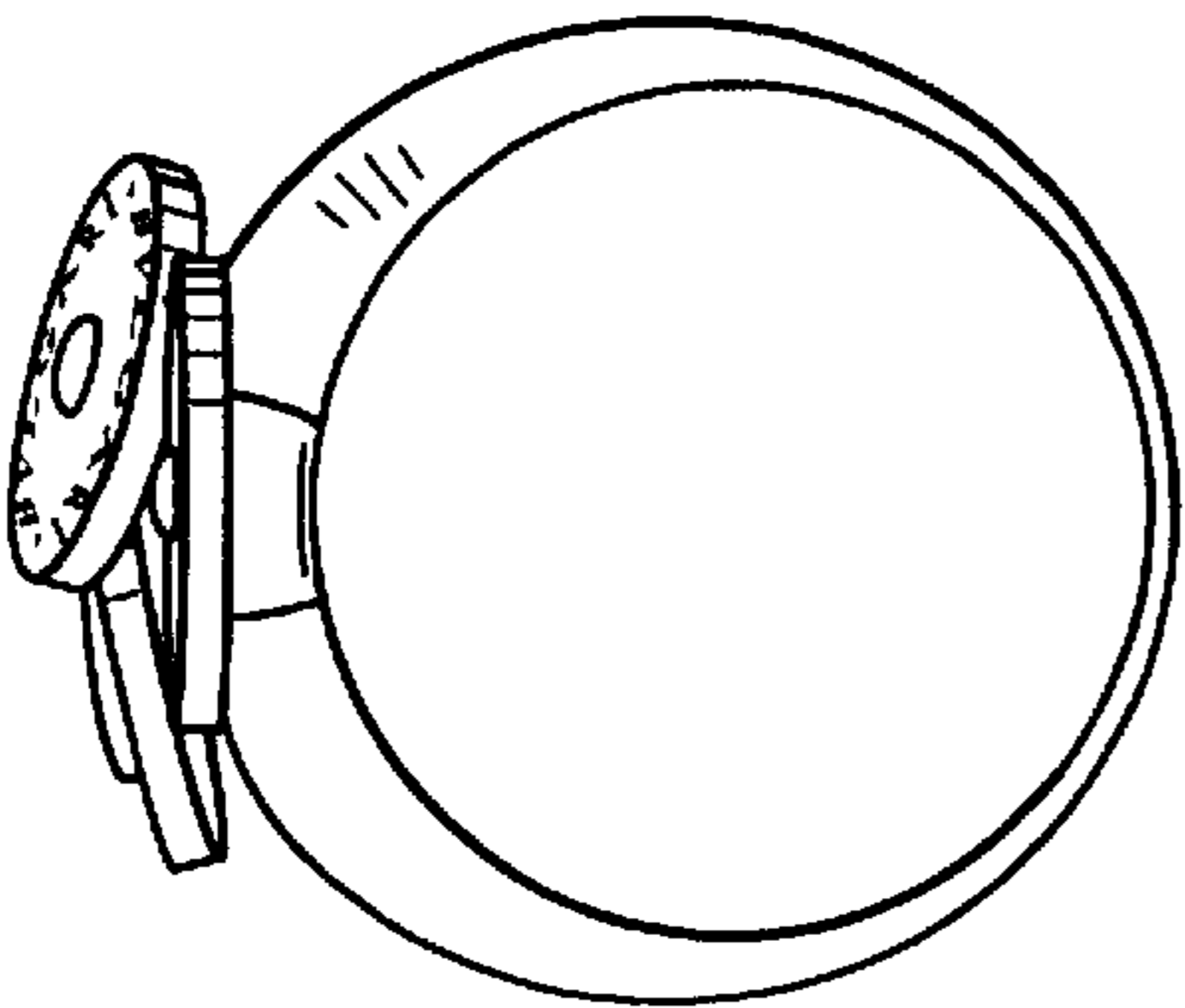


FIG. 1

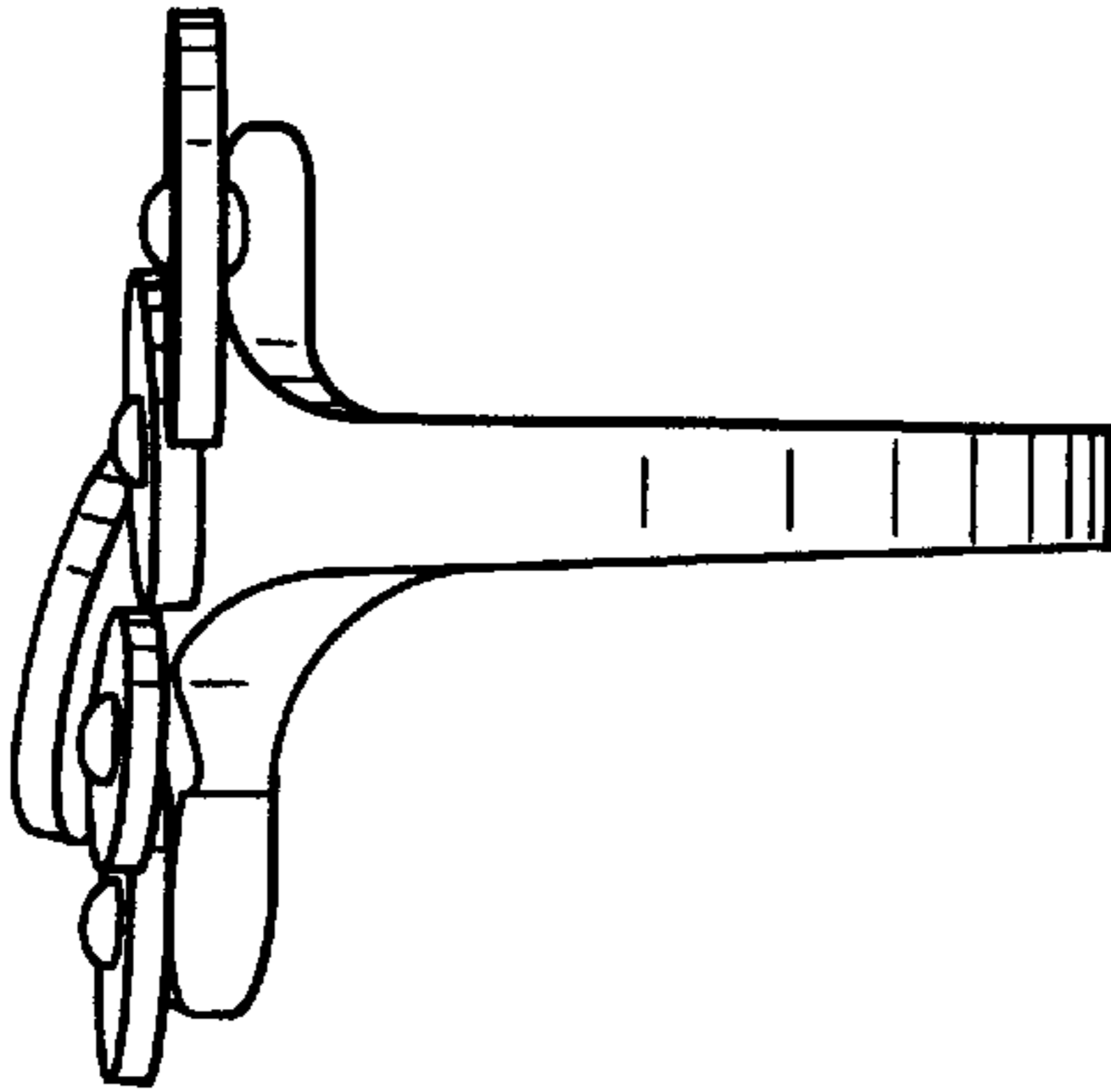


FIG. 2

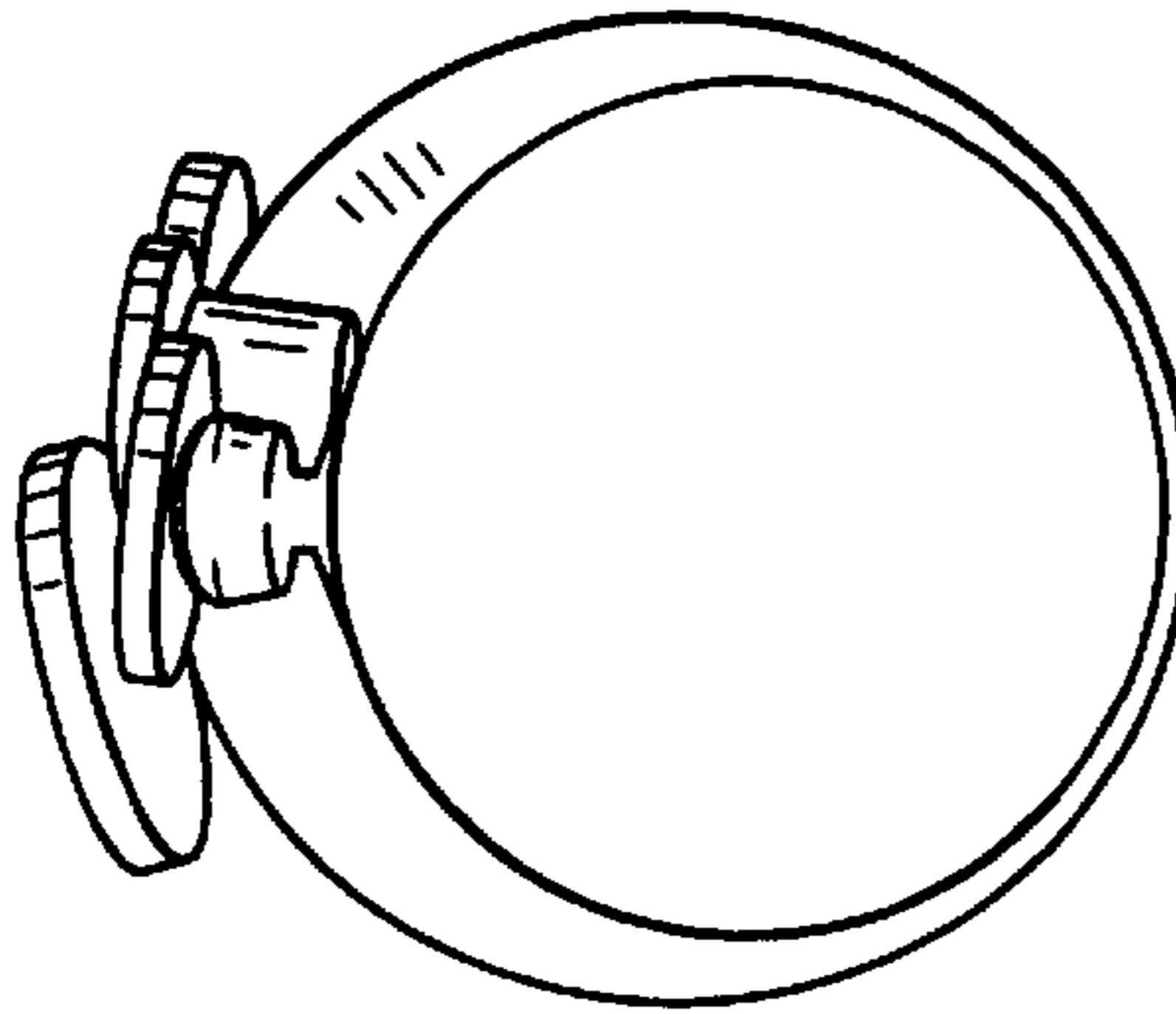


FIG. 3

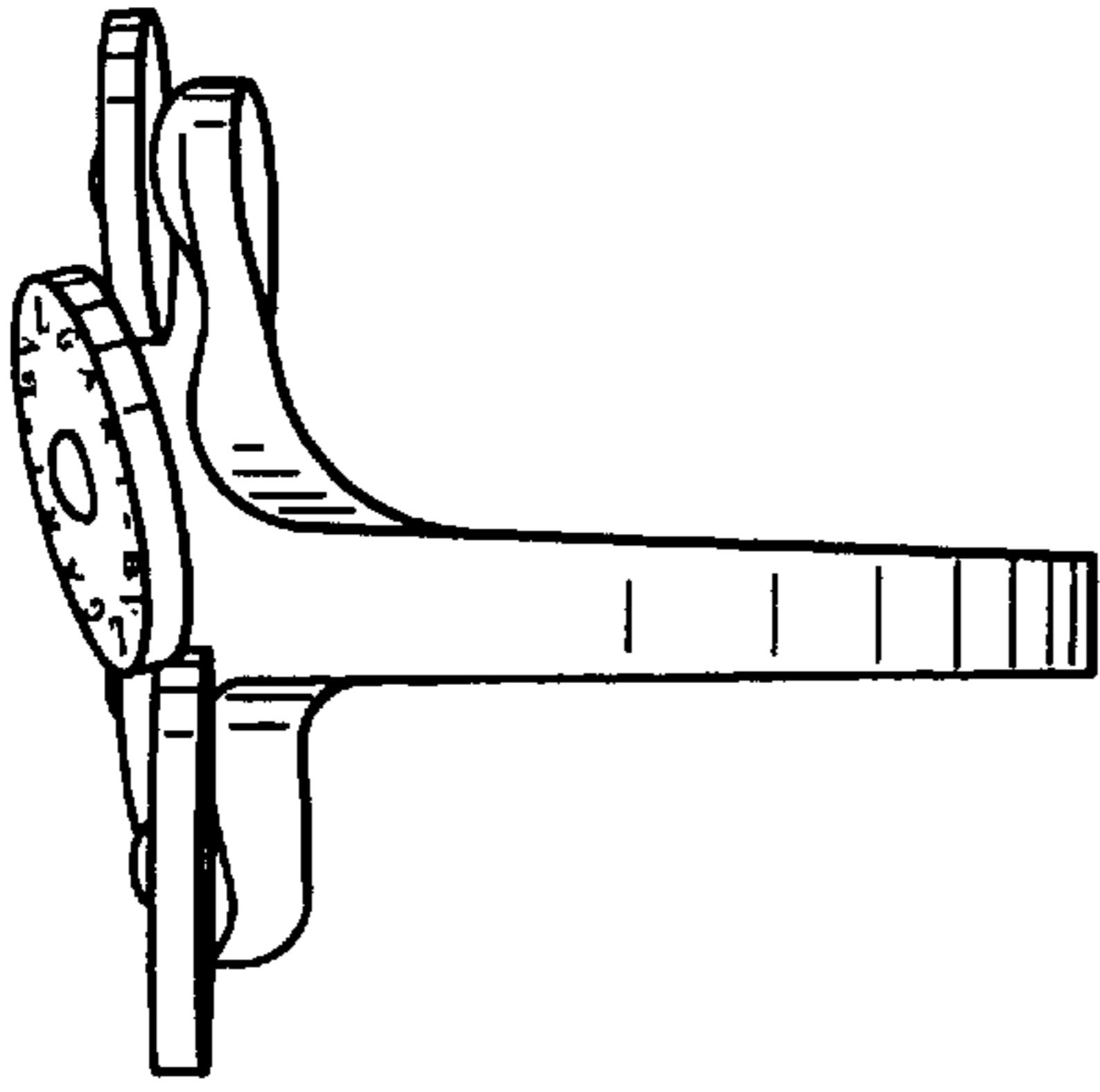


FIG. 4

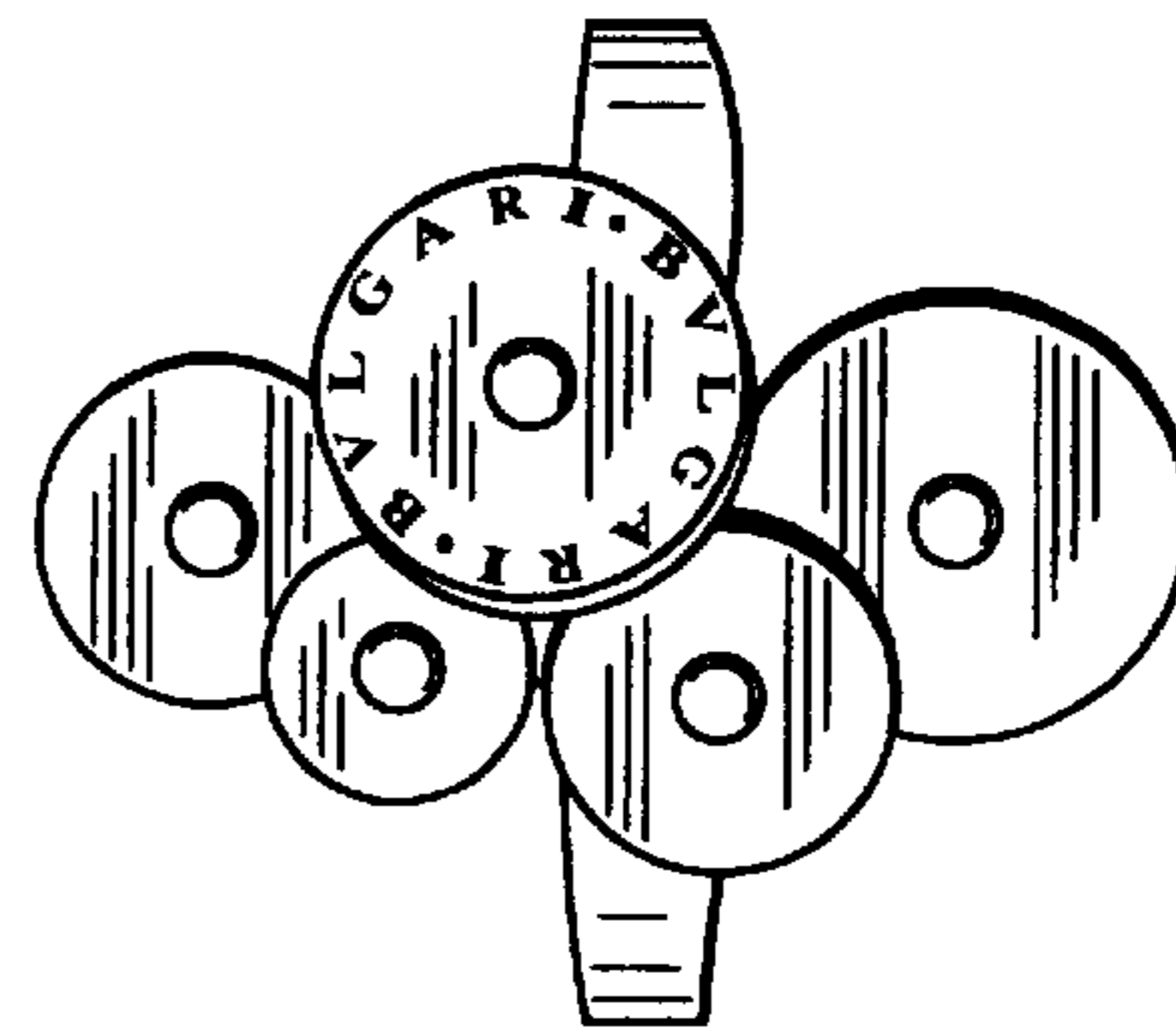


FIG. 5

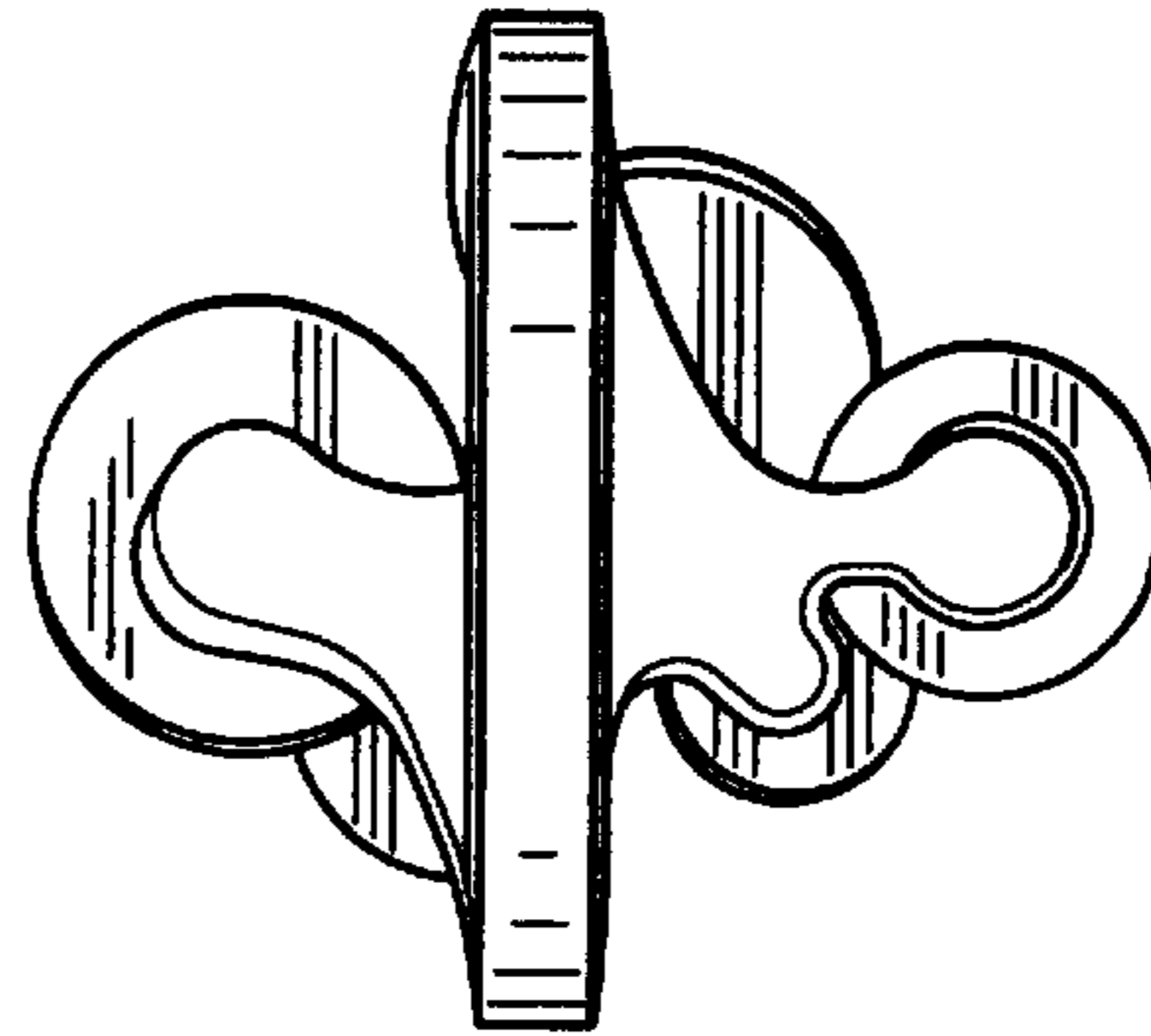


FIG. 6

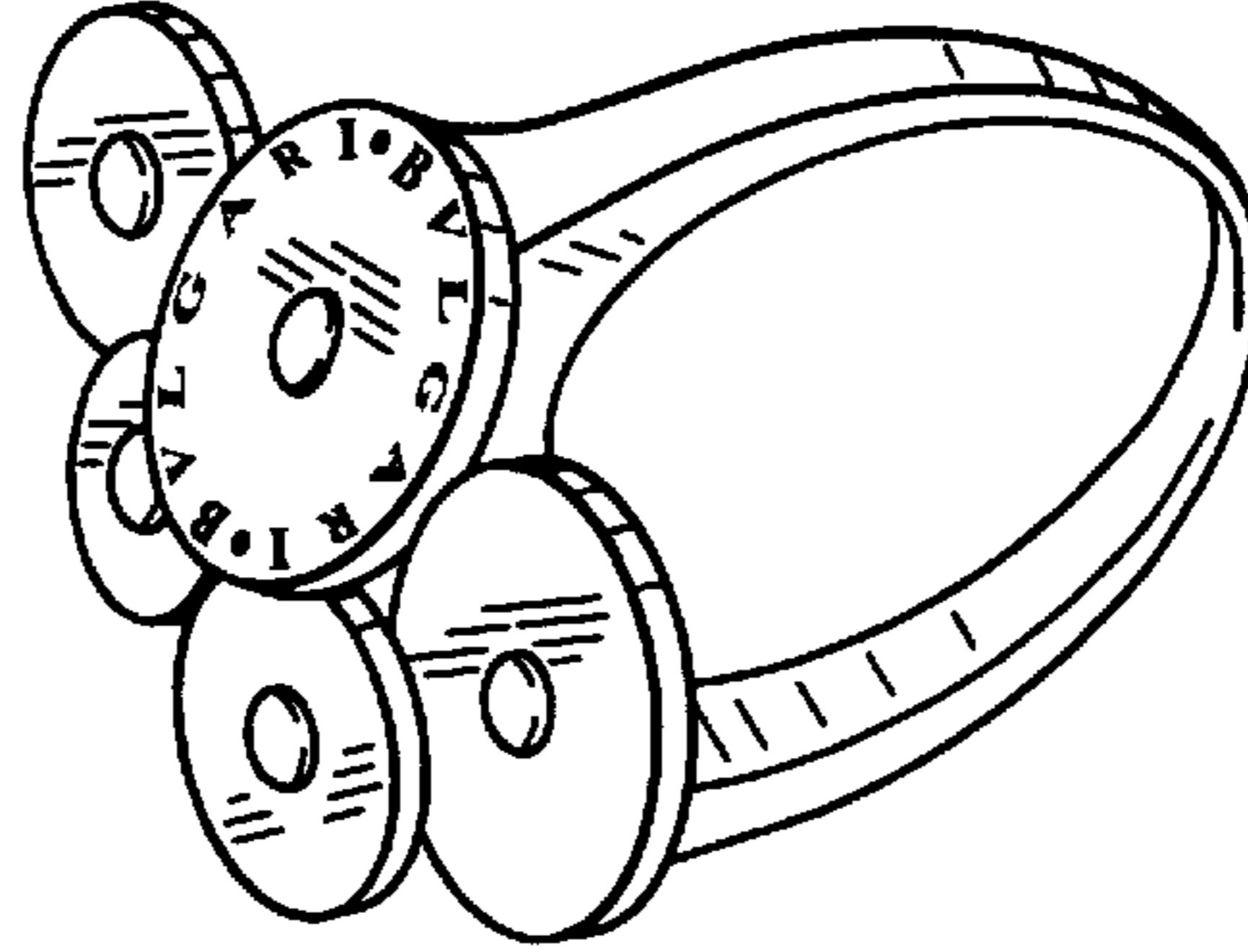


FIG. 7