



US00D537747S

(12) **United States Design Patent**
Enersen

(10) **Patent No.:** **US D537,747 S**
(45) **Date of Patent:** **** Mar. 6, 2007**

(54) **PROFILE FOR ESCAPE ROUTE MARKING**

(75) Inventor: **Rolf Enersen**, Eidsvoll (NO)

(73) Assignee: **Everglow AS**, Eidsvoll (NO)

(**) Term: **14 Years**

(21) Appl. No.: **29/202,720**

(22) Filed: **Apr. 2, 2004**

(51) **LOC (8) Cl.** **10-05**

(52) **U.S. Cl.** **D10/113**

(58) **Field of Classification Search** D26/85,
D26/44; D10/114, 113, 109, 104; D25/164,
D25/119, 121, 125, 136, 139; 359/547, 531;
340/908, 908.1, 815.45, 332; 116/63; 404/12-15,
404/9, 72, 16

See application file for complete search history.

(56) **References Cited**

U.S. PATENT DOCUMENTS

D205,824 S	*	9/1966	Smith	D20/44
3,556,745 A	*	1/1971	Zameski	293/120
D221,553 S	*	8/1971	Figlin et al.	D25/119
D249,965 S	*	10/1978	Cooper	D25/125
4,135,839 A	*	1/1979	Engwall	404/16
D259,143 S	*	5/1981	Aktinson	D25/119
D289,202 S	*	4/1987	Hardy	D25/119
4,818,138 A	*	4/1989	Brown	404/14
D304,086 S	*	10/1989	Eads	D8/1
D331,631 S	*	12/1992	Leith	D25/119

D338,536 S	*	8/1993	Gifford, Sr.	D25/119
5,327,850 A	*	7/1994	Sly et al.	116/63 P
5,392,728 A	*	2/1995	Speer et al.	116/63 R
5,515,807 A	*	5/1996	Speer et al.	116/63 R
D392,822 S	*	3/1998	Gilmore	D6/513
5,769,563 A	*	6/1998	Flynn	404/15
D417,739 S	*	12/1999	Smith, Jr.	D25/164
D447,579 S	*	9/2001	Lehrkamp	D25/164
D462,601 S	*	9/2002	Chaney	D8/354
D463,581 S	*	9/2002	Mann	D25/164
D482,980 S		12/2003	Enersen		
D500,869 S	*	1/2005	Glatz	D25/136
D506,663 S	*	6/2005	Biller et al.	D8/98

* cited by examiner

Primary Examiner—Cathron C. Brooks

Assistant Examiner—Austin Murphy

(74) *Attorney, Agent, or Firm*—Ladas & Parry

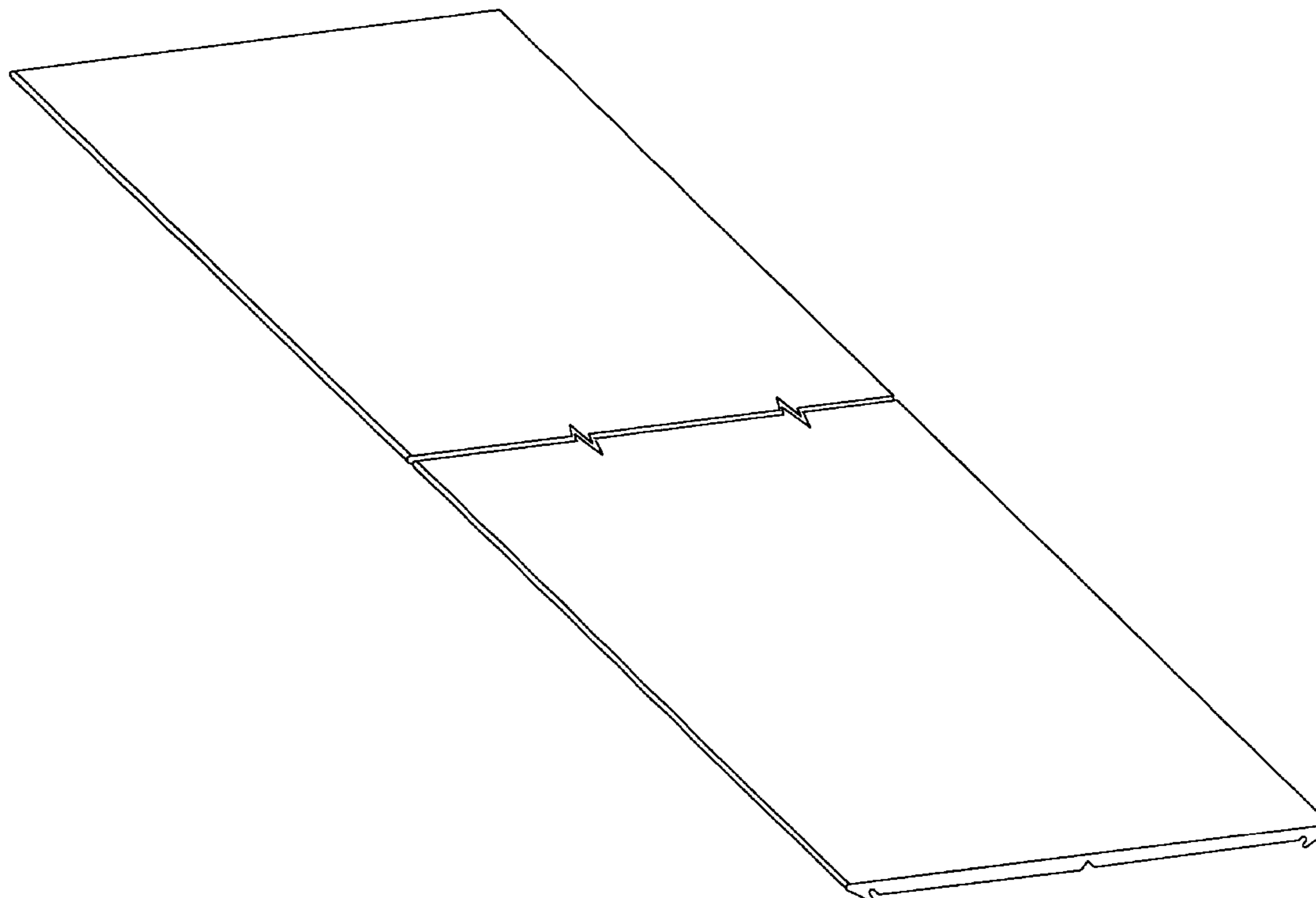
(57) **CLAIM**

I claim the ornamental design for profile for escape route marking, as shown and described.

DESCRIPTION

FIG. 1 is a top/front/right-side perspective view of a profile for escape route marking showing my new design cut away to indicate intermediate lengths, the left side being a mirror image of the right side and, therefore, not shown; FIG. 2 is bottom/rear/right-side perspective view thereof; and, FIG. 3 is a right-side elevational view thereof.

1 Claim, 3 Drawing Sheets



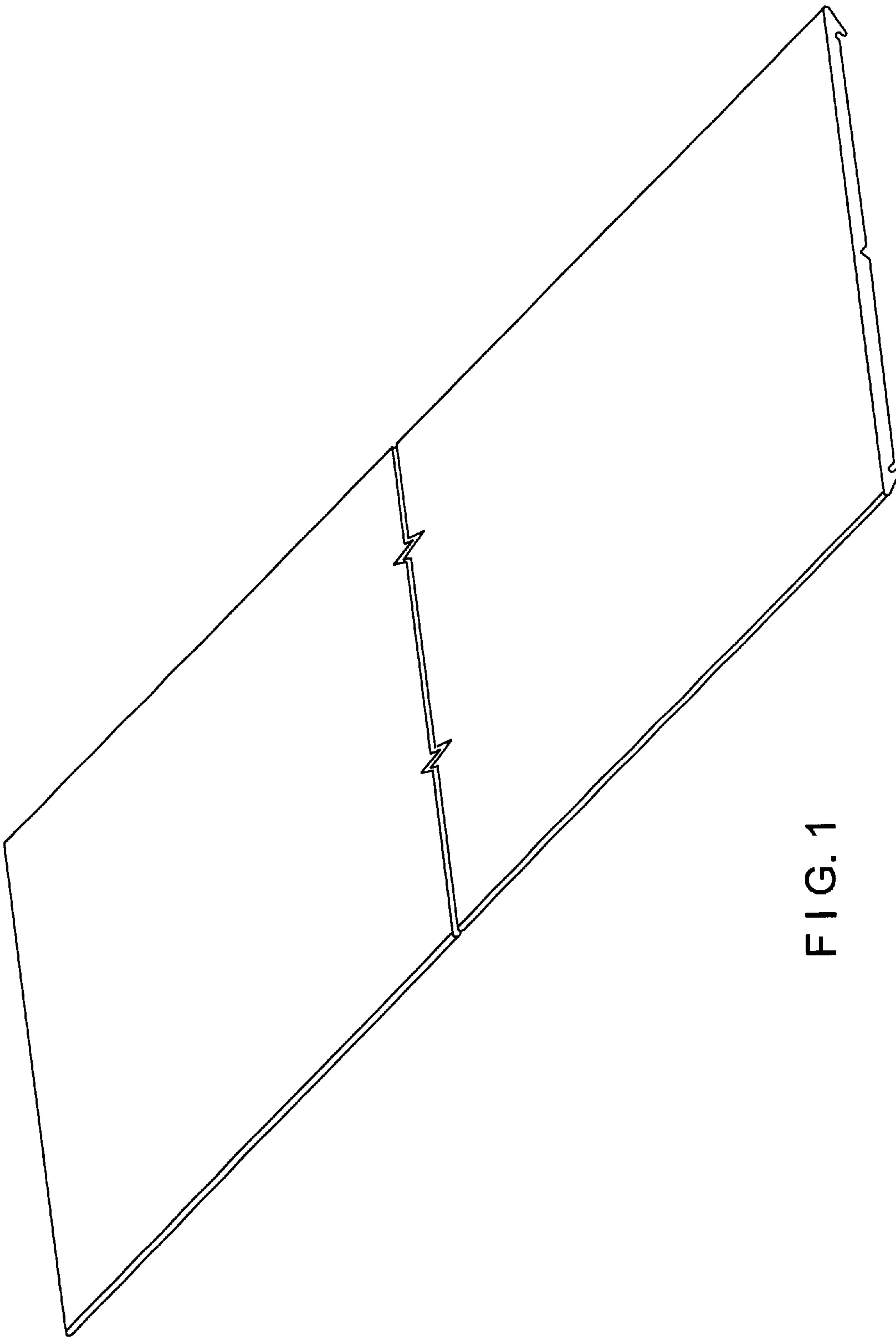


FIG. 1

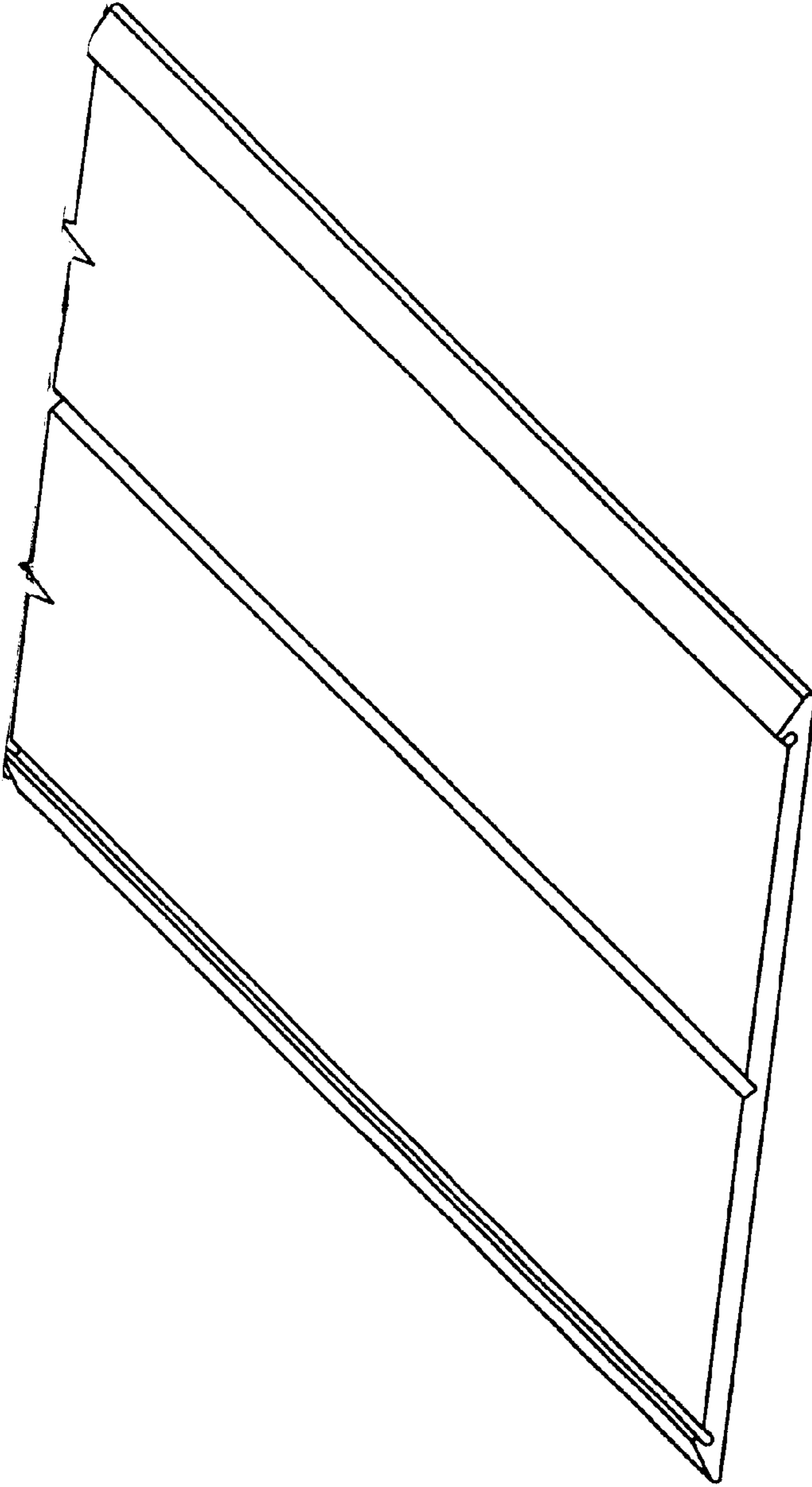


FIG. 2

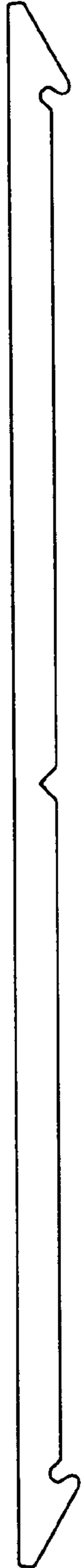


FIG. 3