



US00D537741S

(12) **United States Design Patent**
Gruosi-Scheufele

(10) **Patent No.:** **US D537,741 S**
(45) **Date of Patent:** **** Mar. 6, 2007**

(54) **WATCH**

(75) **Inventor:** **Caroline Gruosi-Scheufele**, Prangins
(CH)

(73) **Assignee:** **Chopard International SA** (CH)

(**) **Term:** **14 Years**

D288,296 S	*	2/1987	Maron	D10/30
4,939,913 A	*	7/1990	Scungio et al.	63/21
D316,974 S	*	5/1991	Fong	D10/33
D348,223 S	*	6/1994	Magninat	D10/32
D373,957 S	*	9/1996	Mareschal	D10/30
D467,820 S	*	12/2002	Berliat	D10/39
D509,759 S	*	9/2005	Scheufele	D10/39
D510,038 S	*	9/2005	Scheufele	D10/39

(21) **Appl. No.:** **29/238,475**

(22) **Filed:** **Sep. 15, 2005**

(30) **Foreign Application Priority Data**

Apr. 12, 2005 (WO) DM/066 652

(51) **LOC (8) Cl.** **10-02**

(52) **U.S. Cl.** **D10/39**

(58) **Field of Classification Search** D10/30-39,
D10/123-126; 368/276, 281, 282, 283, 285,
368/21, 223, 228, 232

See application file for complete search history.

(56) **References Cited**

U.S. PATENT DOCUMENTS

D152,189 S	*	12/1948	Desouches	D10/32
D224,948 S	*	10/1972	Musy	D10/33
D262,692 S	*	1/1982	Kurowsky	D10/39
4,421,421 A	*	12/1983	Bradt	368/229
D285,779 S	*	9/1986	Maron	D10/30
D285,908 S	*	9/1986	Maron	D10/30

OTHER PUBLICATIONS

Wristwatches, A Connoisseur's Guide, by Frank Edwards, copyright 1997, Firefly Publishing, p. 57, "Happy Diamonds" watch by Chopard.*

* cited by examiner

Primary Examiner—Lucy Lieberman

(74) *Attorney, Agent, or Firm*—McGlew & Tuttle, PC

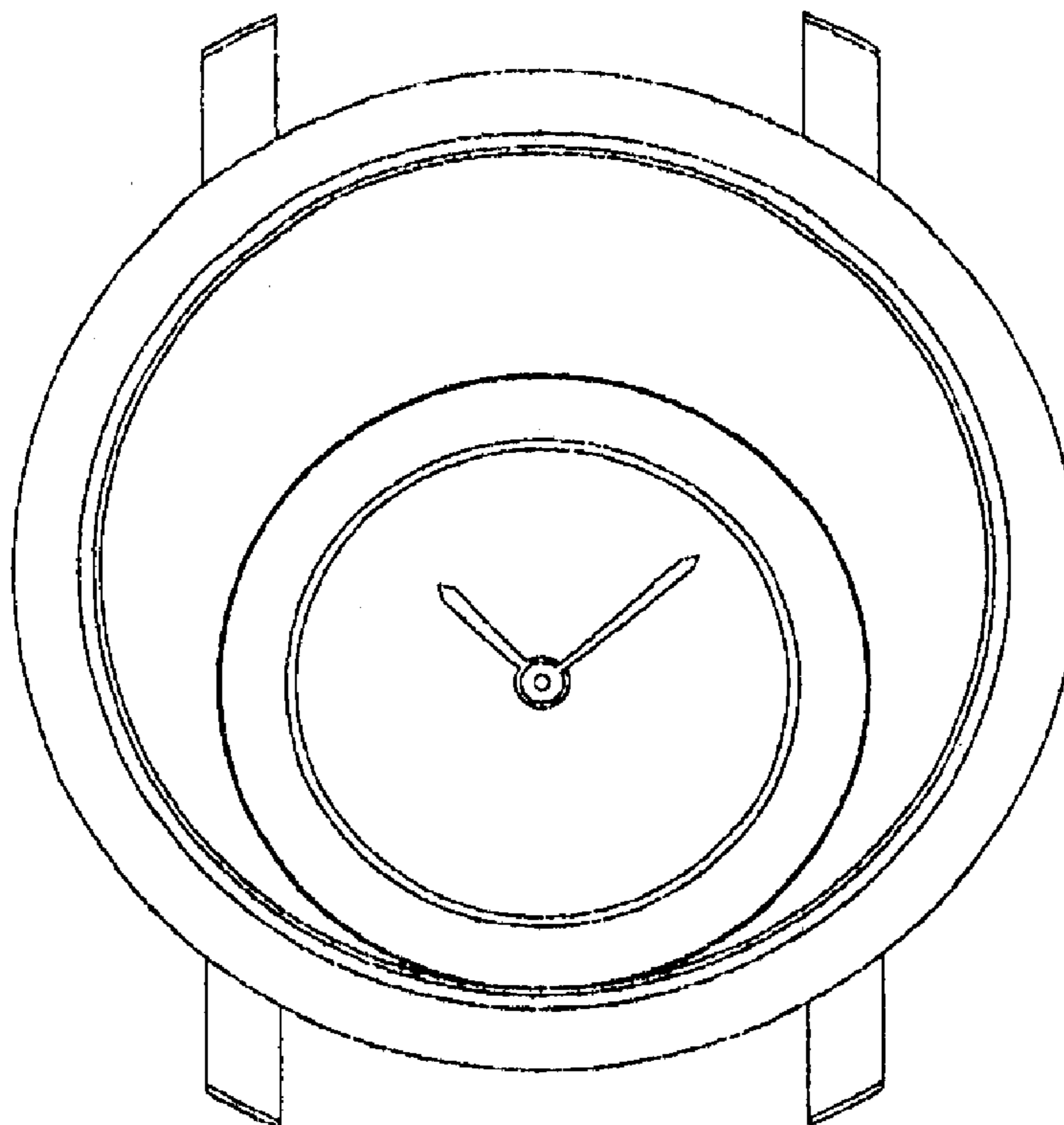
(57) **CLAIM**

The ornamental design for a watch, as shown and described.

DESCRIPTION

FIG. 1 is left side view of my new watch;
FIG. 2 is top view thereof;
FIG. 3 is a right side view thereof;
FIG. 4 is front end view thereof;
FIG. 5 is bottom view thereof;
FIG. 6 is a rear end view thereof; and,
FIG. 7 is a top right perspective view thereof.

1 Claim, 1 Drawing Sheet



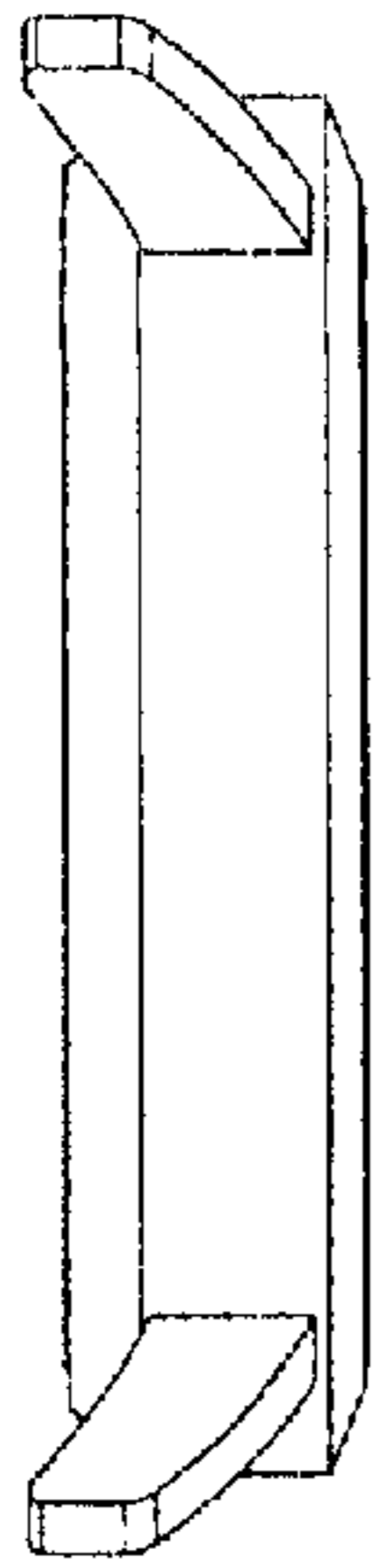


Fig. 1

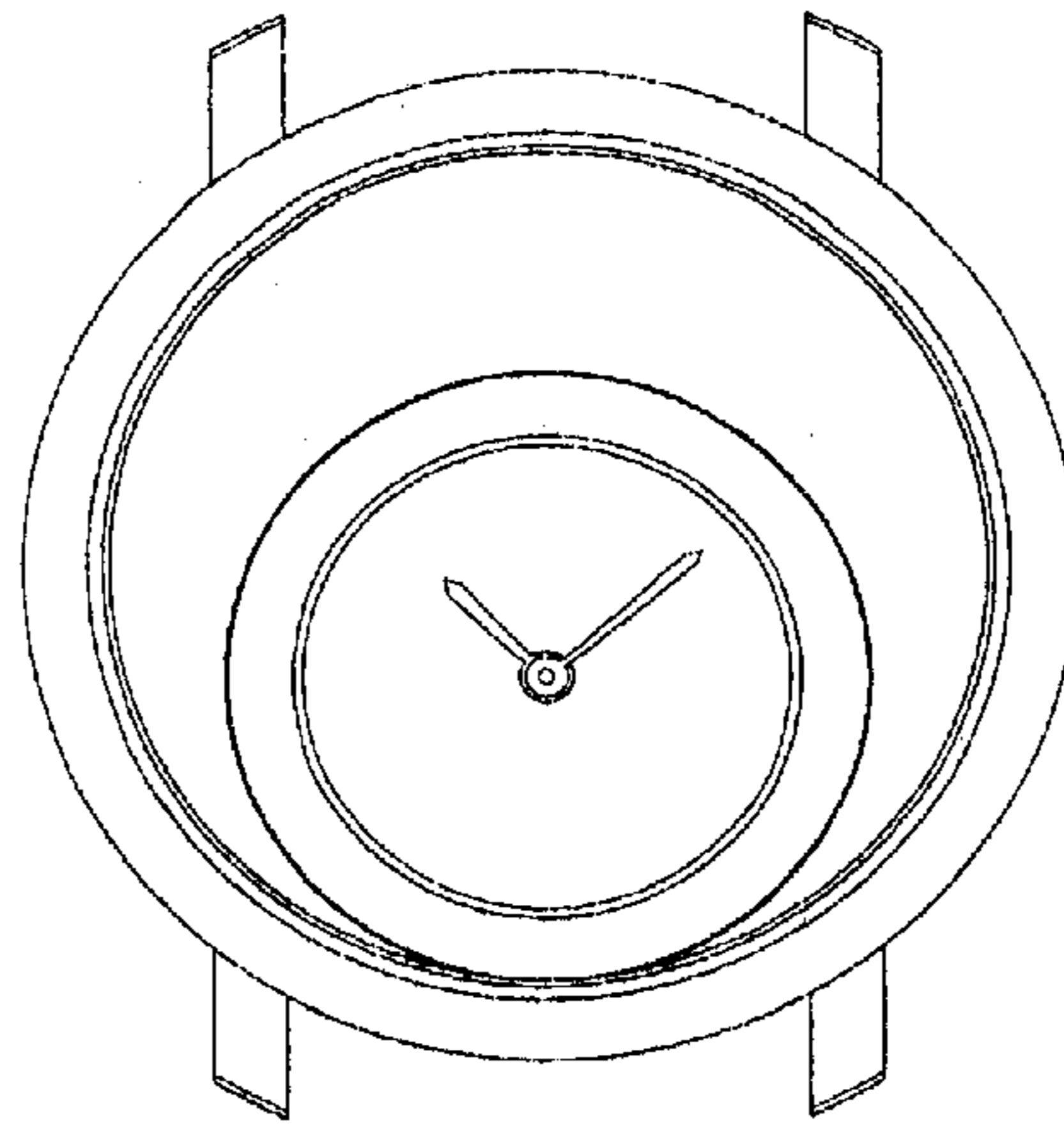


Fig. 2

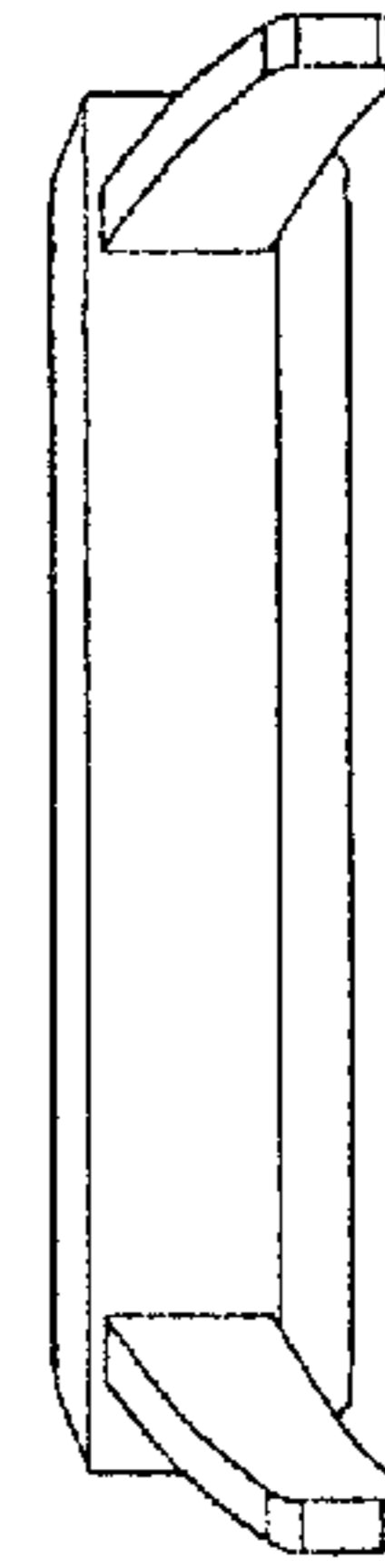


Fig. 3

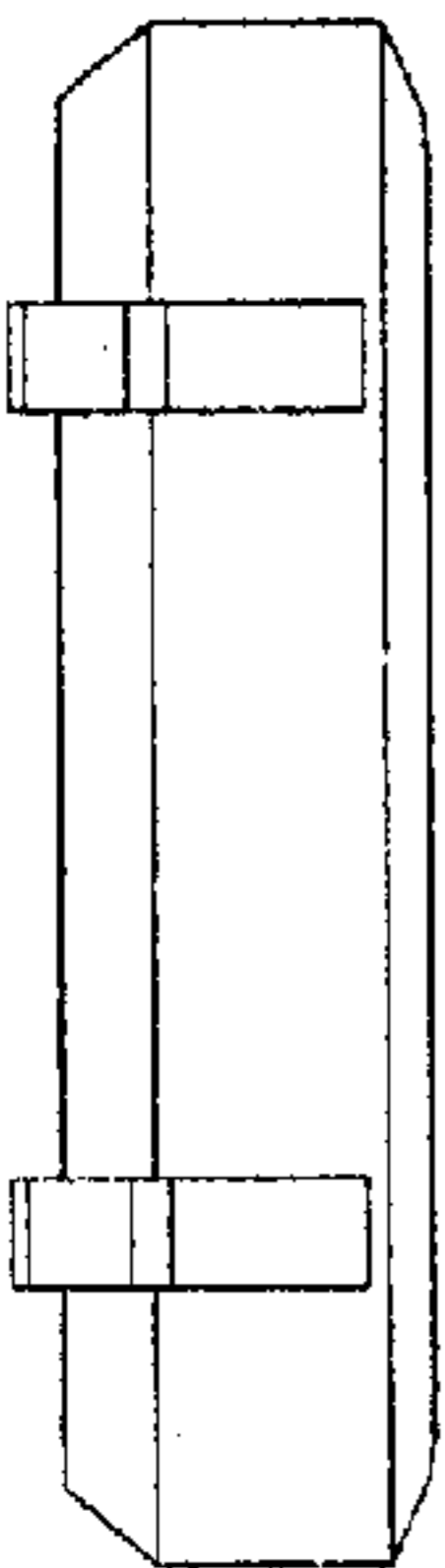


Fig. 4

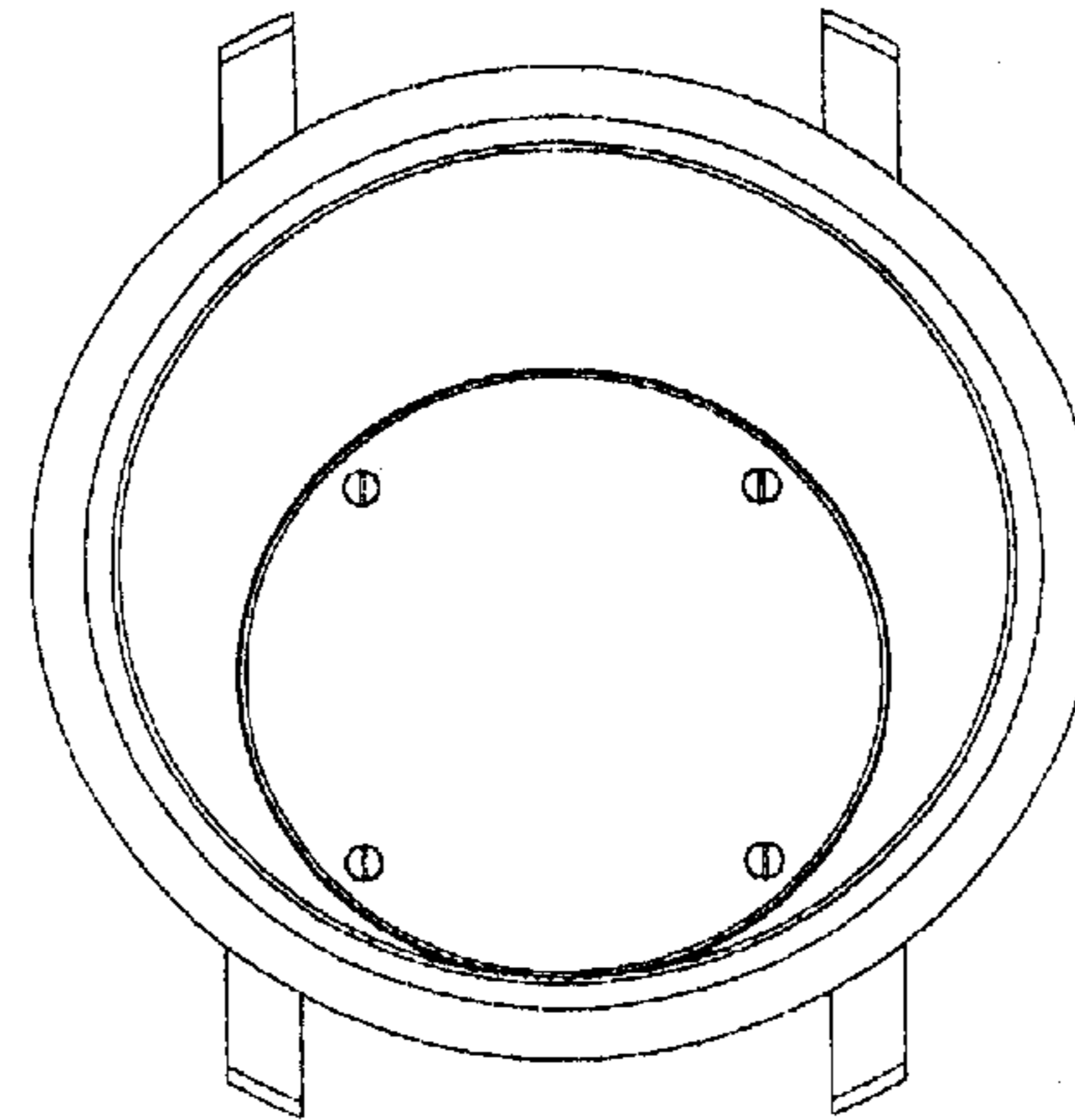


Fig. 5

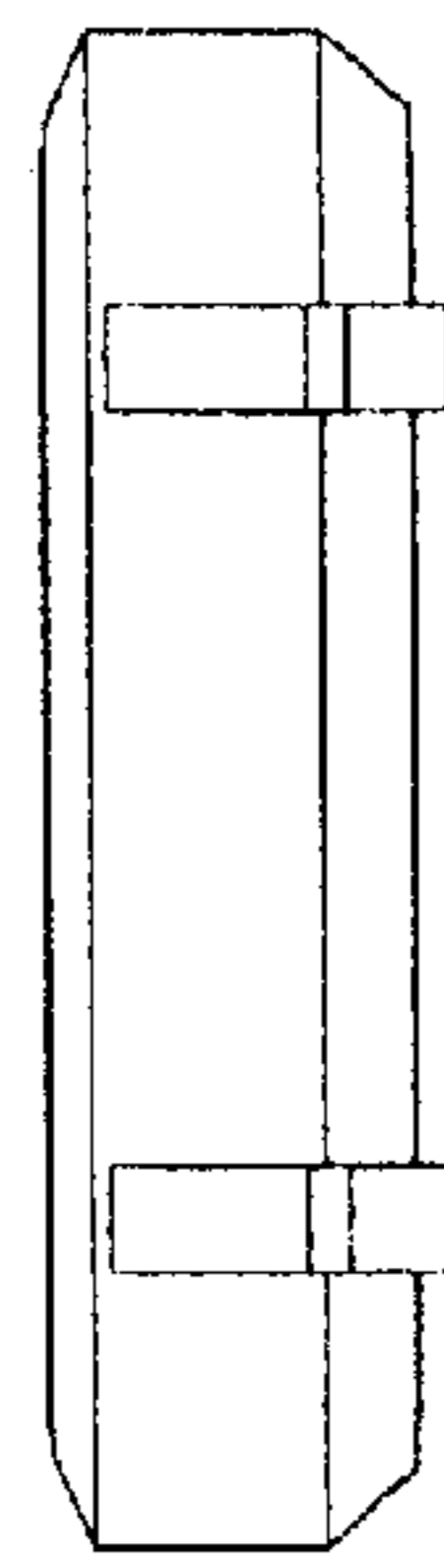


Fig. 6

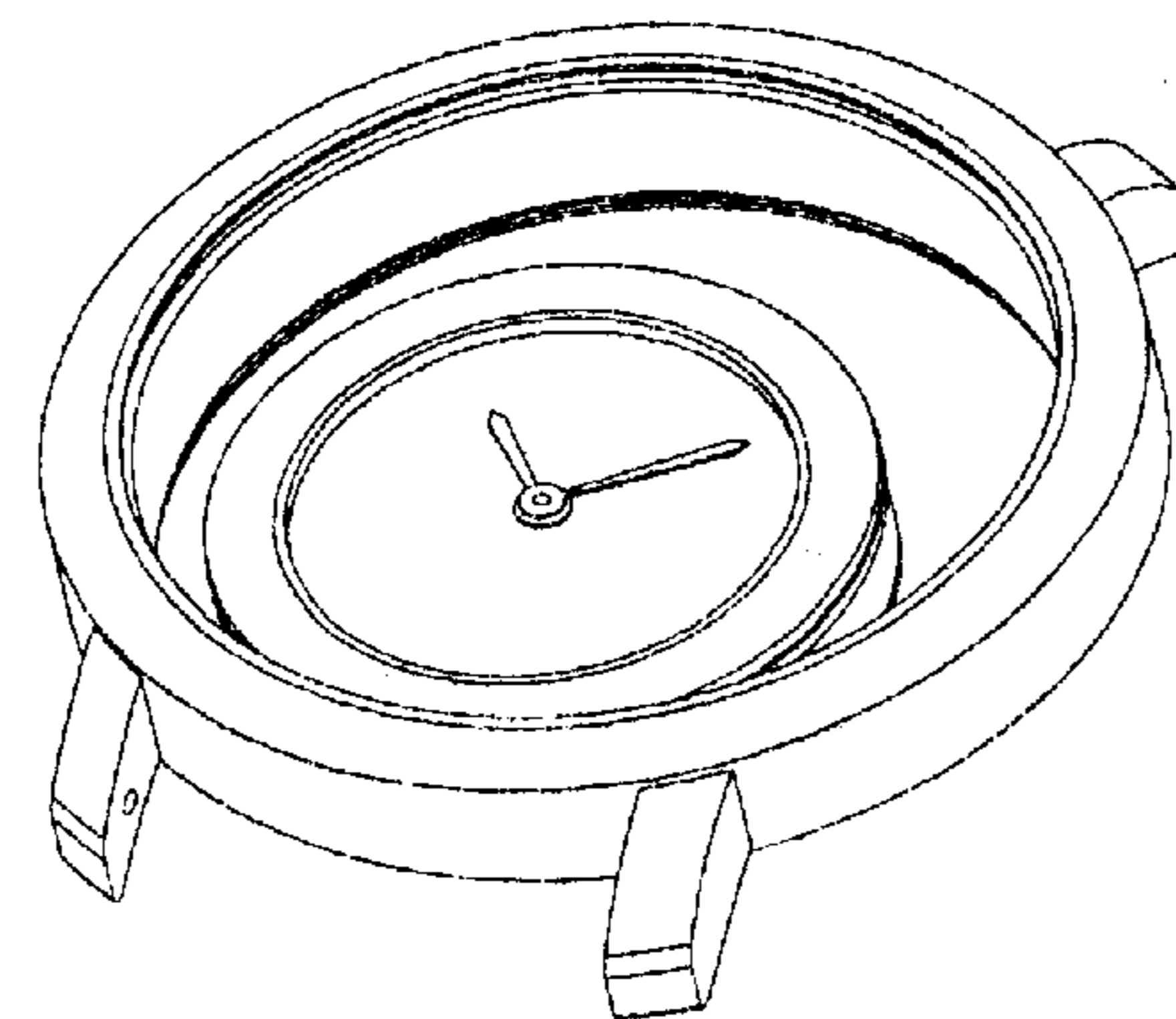


Fig. 7