



US00D537737S

(12) **United States Design Patent**  
**Galli**

(10) **Patent No.:** **US D537,737 S**

(45) **Date of Patent:** **\*\* Mar. 6, 2007**

(54) **WATCH CASING**

(75) **Inventor:** **Giorgio Galli, Milan (IT)**

(73) **Assignee:** **Callanen International, Norwalk, CT (US)**

(\*\*) **Term:** **14 Years**

(21) **Appl. No.:** **29/255,736**

(22) **Filed:** **Mar. 10, 2006**

(51) **LOC (8) Cl.** ..... **10-02**

(52) **U.S. Cl.** ..... **D10/31; D10/38**

(58) **Field of Classification Search** ..... D10/30-39,  
D10/123-126; 368/276-278, 281-283, 285,  
368/228, 232, 21, 28-31, 10, 88

See application file for complete search history.

(56) **References Cited**

**U.S. PATENT DOCUMENTS**

D202,061 S	*	8/1965	Montese-Caruso	.....	D10/38
4,241,442 A	*	12/1980	Grohoski	.....	368/294
D288,668 S	*	3/1987	Flury	.....	D10/31
D292,677 S		11/1987	Jordi		
4,705,408 A		11/1987	Jordi		
D352,469 S	*	11/1994	Schlup	.....	D10/39
D377,612 S	*	1/1997	Lee	.....	D10/31
D408,746 S	*	4/1999	Jorss	.....	D10/33
D410,199 S	*	5/1999	Calvani	.....	D10/39

D447,699 S	*	9/2001	Ramos, Jr.	.....	D10/30
D454,076 S	*	3/2002	Baroche	.....	D10/31
D500,682 S	*	1/2005	Lalo	.....	D10/30
6,944,098 B2		9/2005	Rochat et al.		

**FOREIGN PATENT DOCUMENTS**

EP 0 226 533 11/1988

\* cited by examiner

*Primary Examiner*—Lucy Lieberman

(74) *Attorney, Agent, or Firm*—Carmody & Torrance LLP

(57) **CLAIM**

The ornamental design for a watch casing, as shown and described.

**DESCRIPTION**

FIG. 1 is a top plan view of a watch casing showing my new design;

FIG. 2 is a left side elevational view thereof;

FIG. 3 is a right side elevational view thereof;

FIG. 4 is a first end elevational view thereof;

FIG. 5 is a second end elevational view thereof;

FIG. 6 is a bottom plan view; and,

FIG. 7 is a top plan view showing the watch casing pivoted in an open position to reveal a second watch face.

The broken line showings are environmental only and form no part of the claimed design.

**1 Claim, 3 Drawing Sheets**

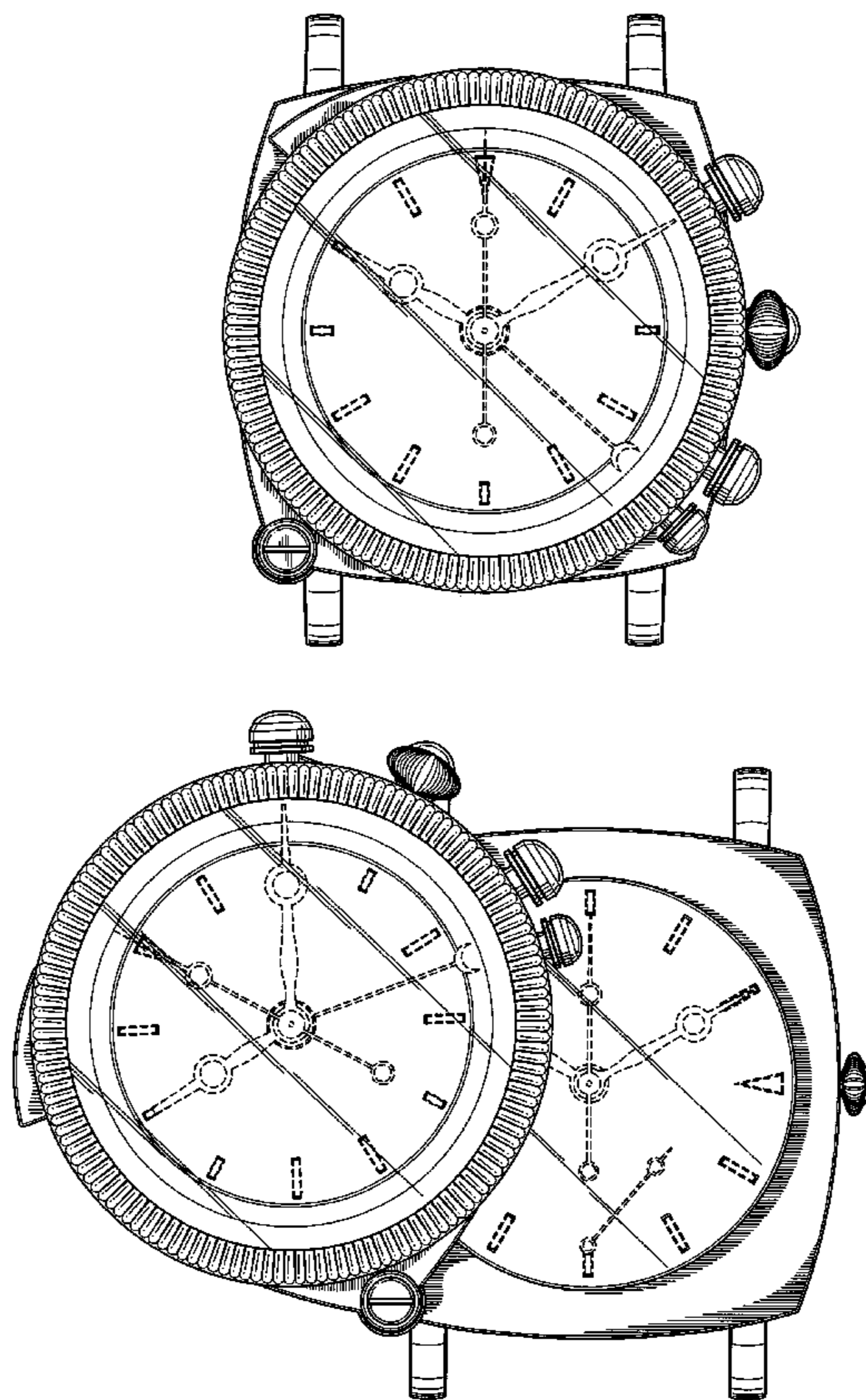


FIG. 3

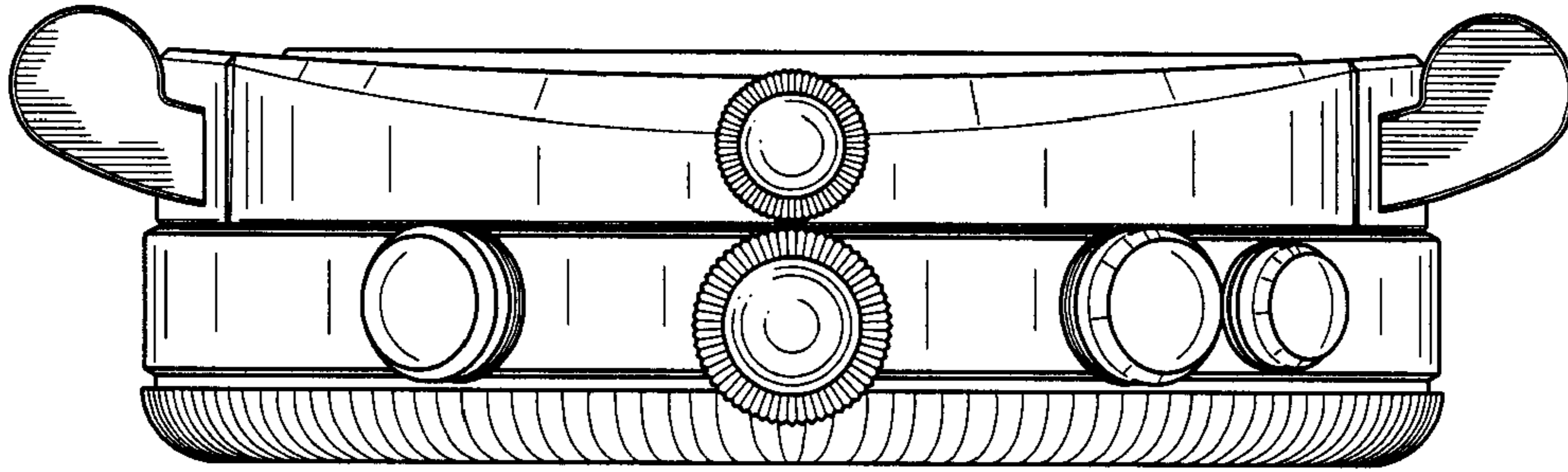


FIG. 1

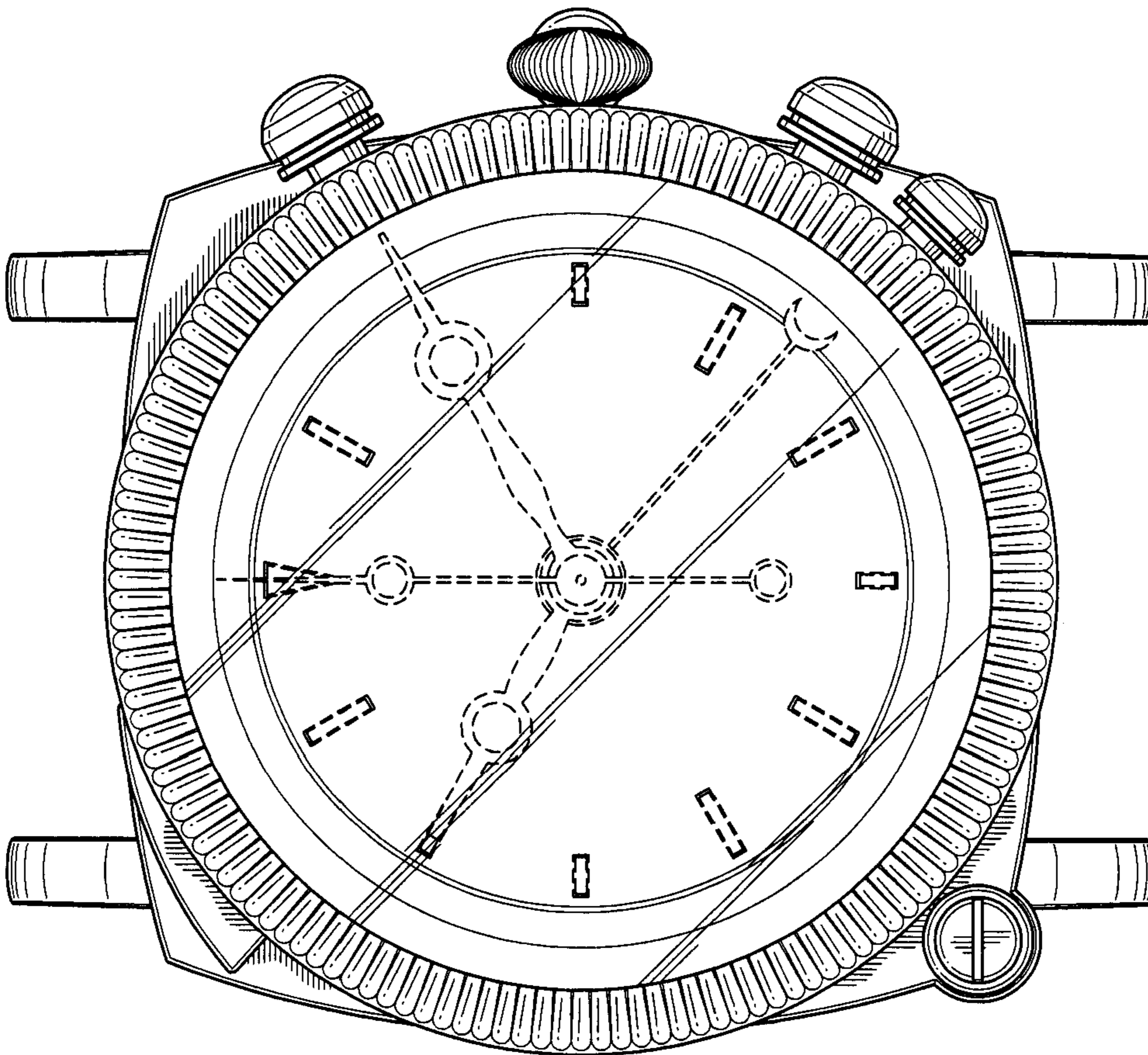
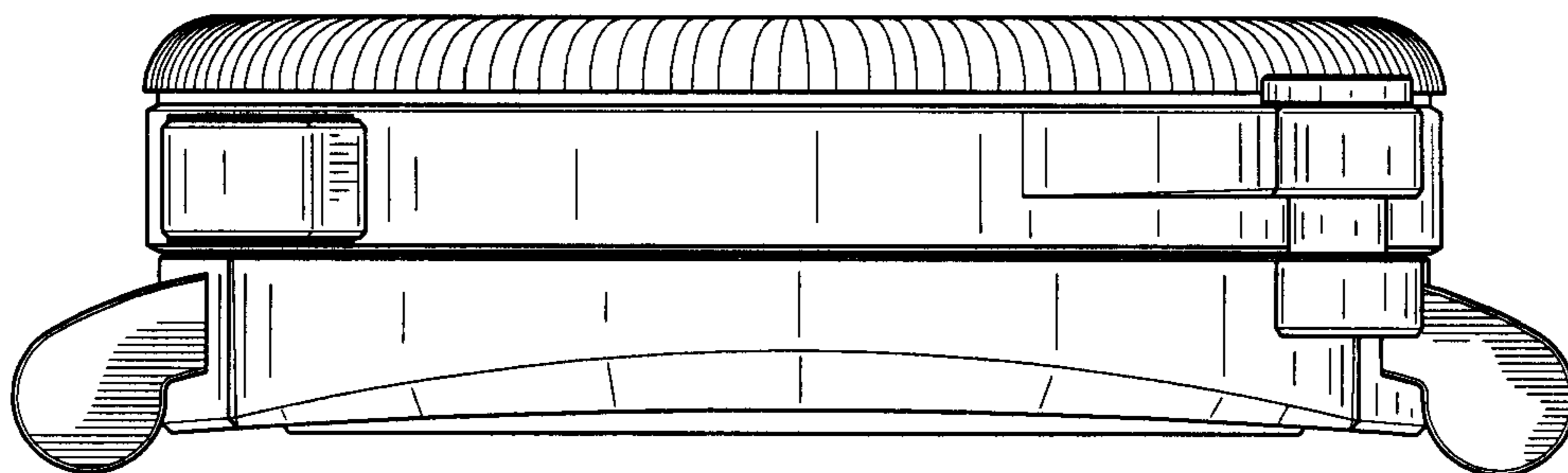


FIG. 2



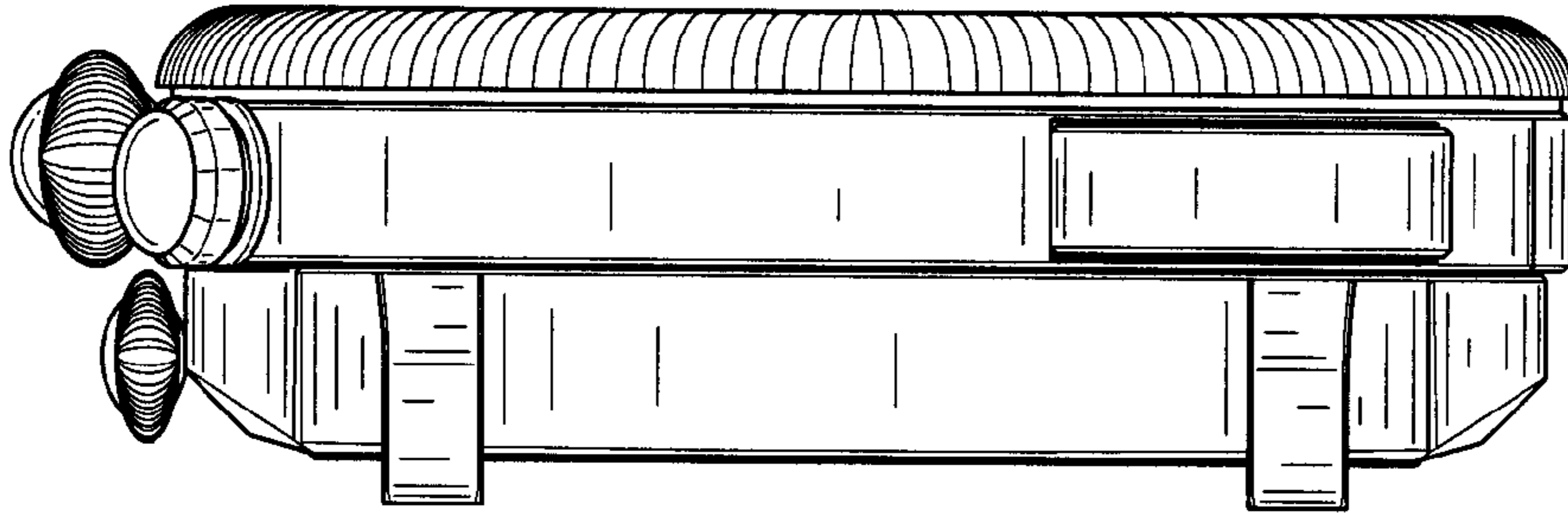


FIG. 4

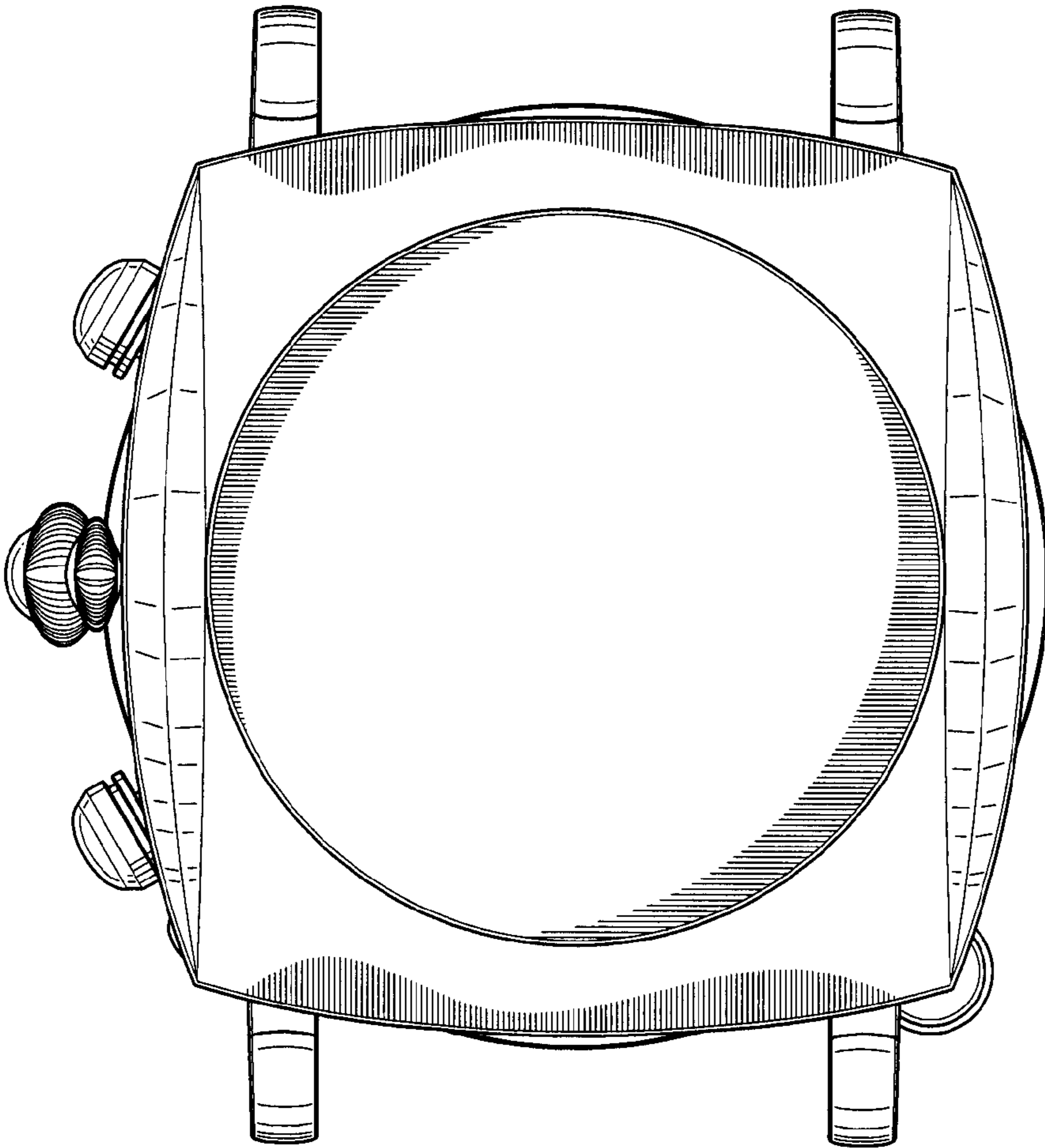


FIG. 6

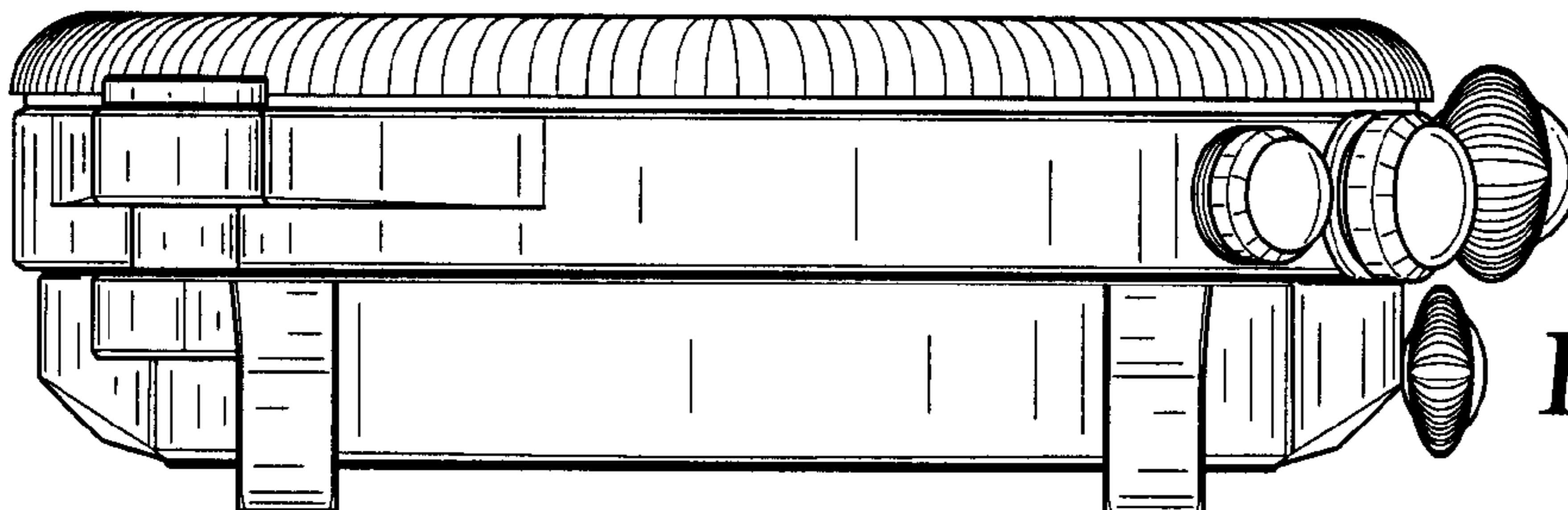


FIG. 5

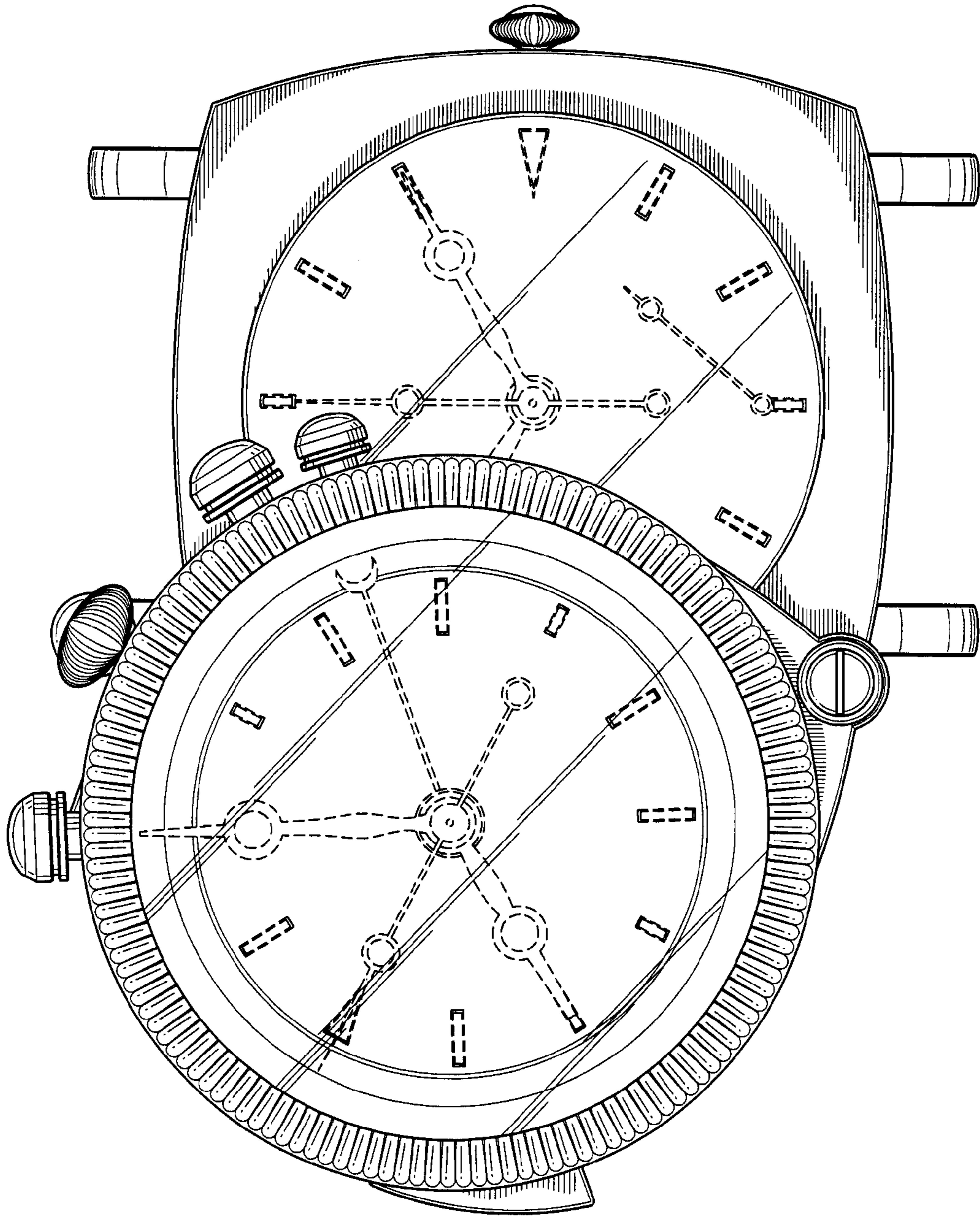


FIG. 7