



US00D537733S

(12) **United States Design Patent**
Shlomo

(10) **Patent No.:** **US D537,733 S**

(45) **Date of Patent:** **** Mar. 6, 2007**

(54) **OFFICE DRY GOODS DISPENSER**

D510,675 S * 10/2005 Ball D7/306
D526,524 S * 8/2006 Jordana D7/309

(75) Inventor: **Tal Eldar Ben Shlomo**, Ramat Hasharon (IL)

* cited by examiner

(73) Assignees: **Shlomo Ben-David**, Chicago, IL (US);
Golden GT LLC, Chicago, IL (US)

Primary Examiner—Mitchell Siegel
Assistant Examiner—Shanda C. Hill

(**) Term: **14 Years**

(74) *Attorney, Agent, or Firm*—Pearl Cohen Zedek Latzer, LLP

(21) Appl. No.: **29/225,644**

(57) **CLAIM**

(22) Filed: **Mar. 18, 2005**

The ornamental design for an office dry goods dispenser, as shown and described.

(51) **LOC (8) Cl.** **09-03**

(52) **U.S. Cl.** **D9/733**

(58) **Field of Classification Search** D9/730,
D9/733, 734, 735; D7/306, 309, 311, 381,
D7/590, 669, 678; D6/512, 515; 221/1, 9,
221/208, 282, 303, 312 R, 312 C; 222/1,
222/52, 173

See application file for complete search history.

DESCRIPTION

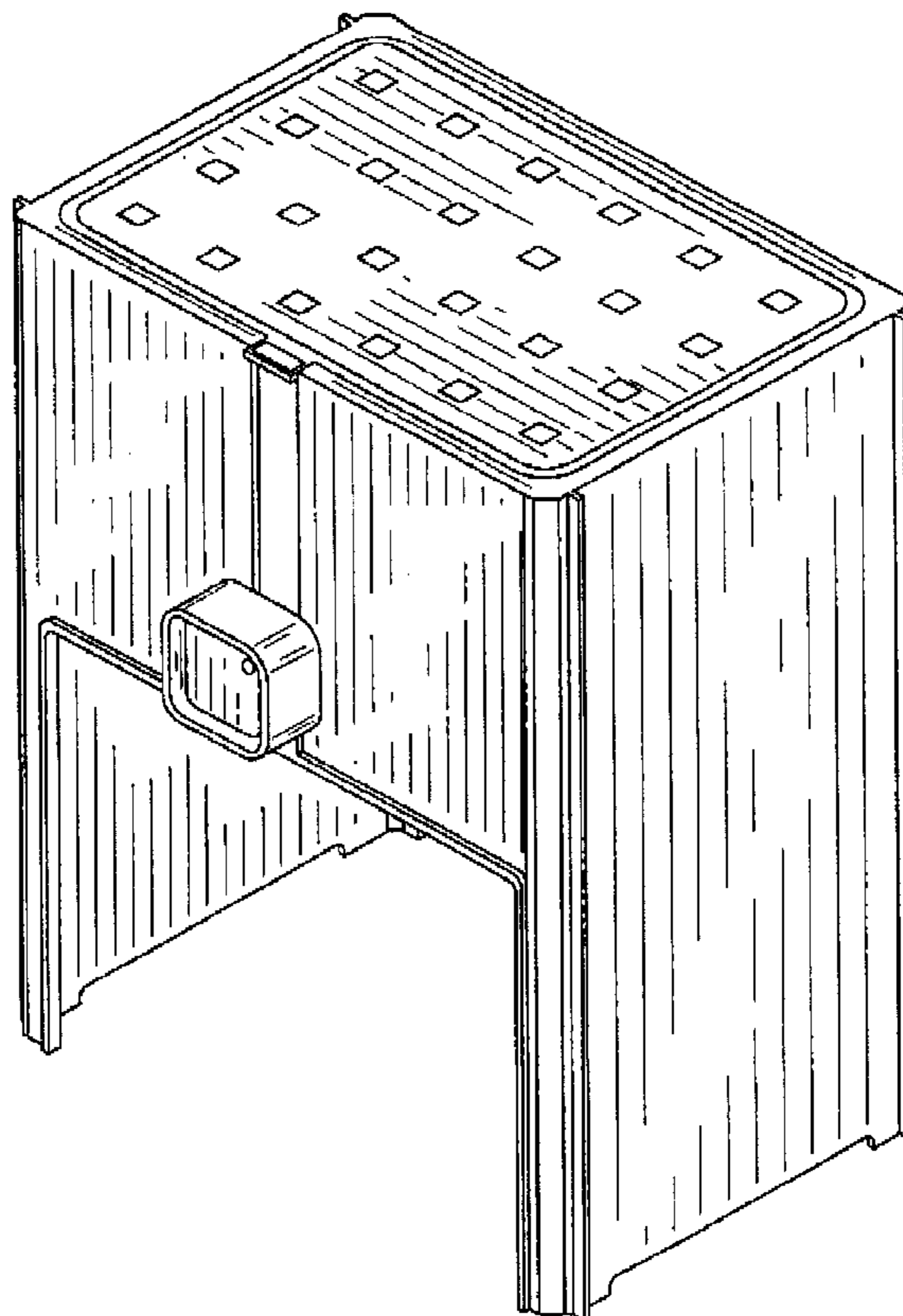
FIG. 1 is a front perspective view of the office dry goods dispenser of the present invention;
FIG. 2 is a front view of the office dry goods dispenser of the present invention;
FIG. 3 is a back view of the office dry goods dispenser of the present invention;
FIG. 4 is a right side view of the office dry goods dispenser of the present invention, the left side view being a mirror image of the right side view;
FIG. 5 is a top view of the office dry goods dispenser of the present invention; and,
FIG. 6 is a bottom view of the office dry goods dispenser of the present invention.
FIGS. 2 through 6 are shown on a reduced scale.

(56) **References Cited**

U.S. PATENT DOCUMENTS

D365,962 S	*	1/1996	Amundsen et al.	D7/311
D395,976 S	*	7/1998	Seiffert et al.	D7/309
D424,850 S	*	5/2000	Handfield et al.	D6/515
D441,593 S	*	5/2001	Gudefin	D7/309
D477,963 S	*	8/2003	Cahen	D7/309
D486,346 S	*	2/2004	Jonsson	D7/309

1 Claim, 3 Drawing Sheets



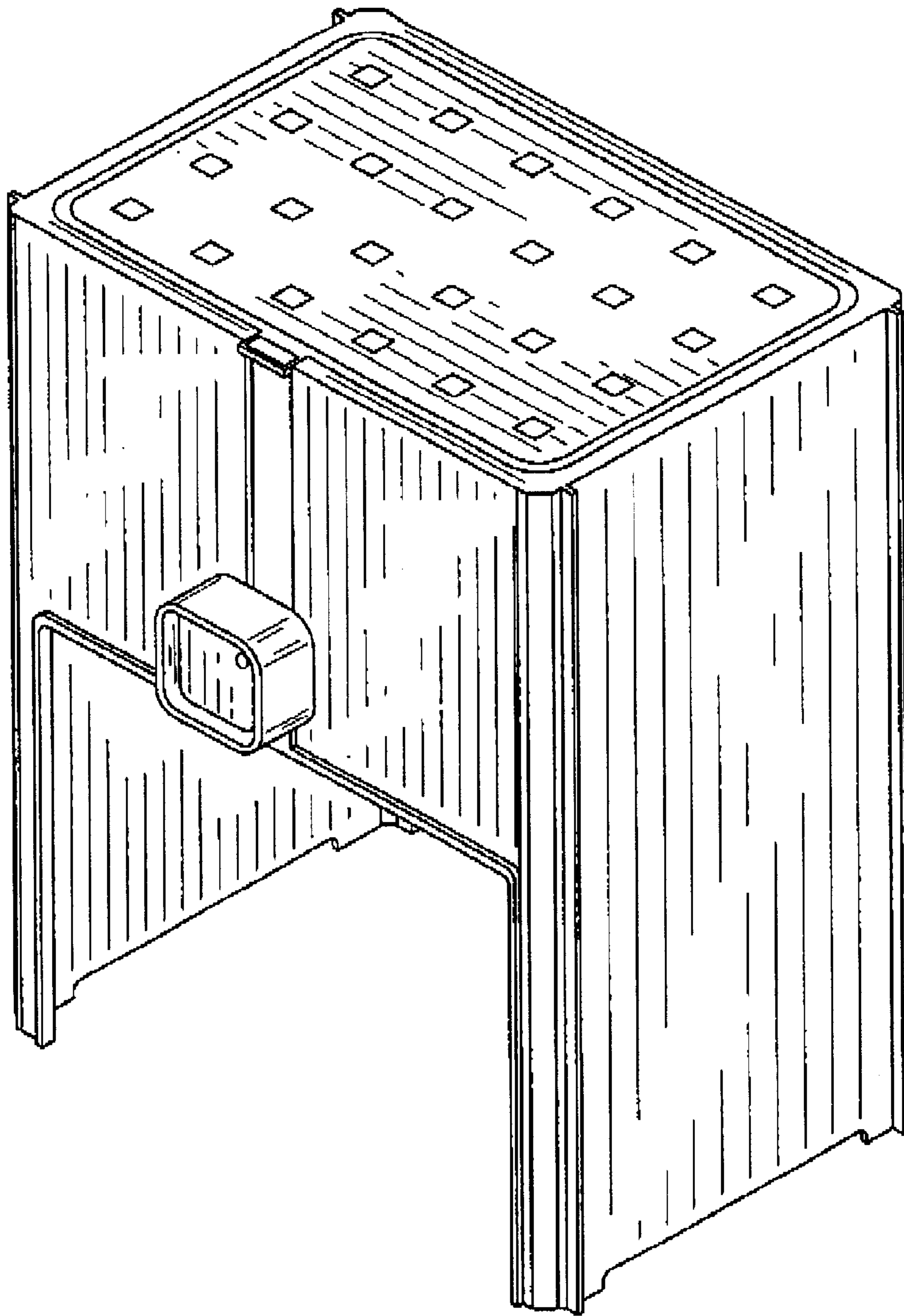


FIG. 1

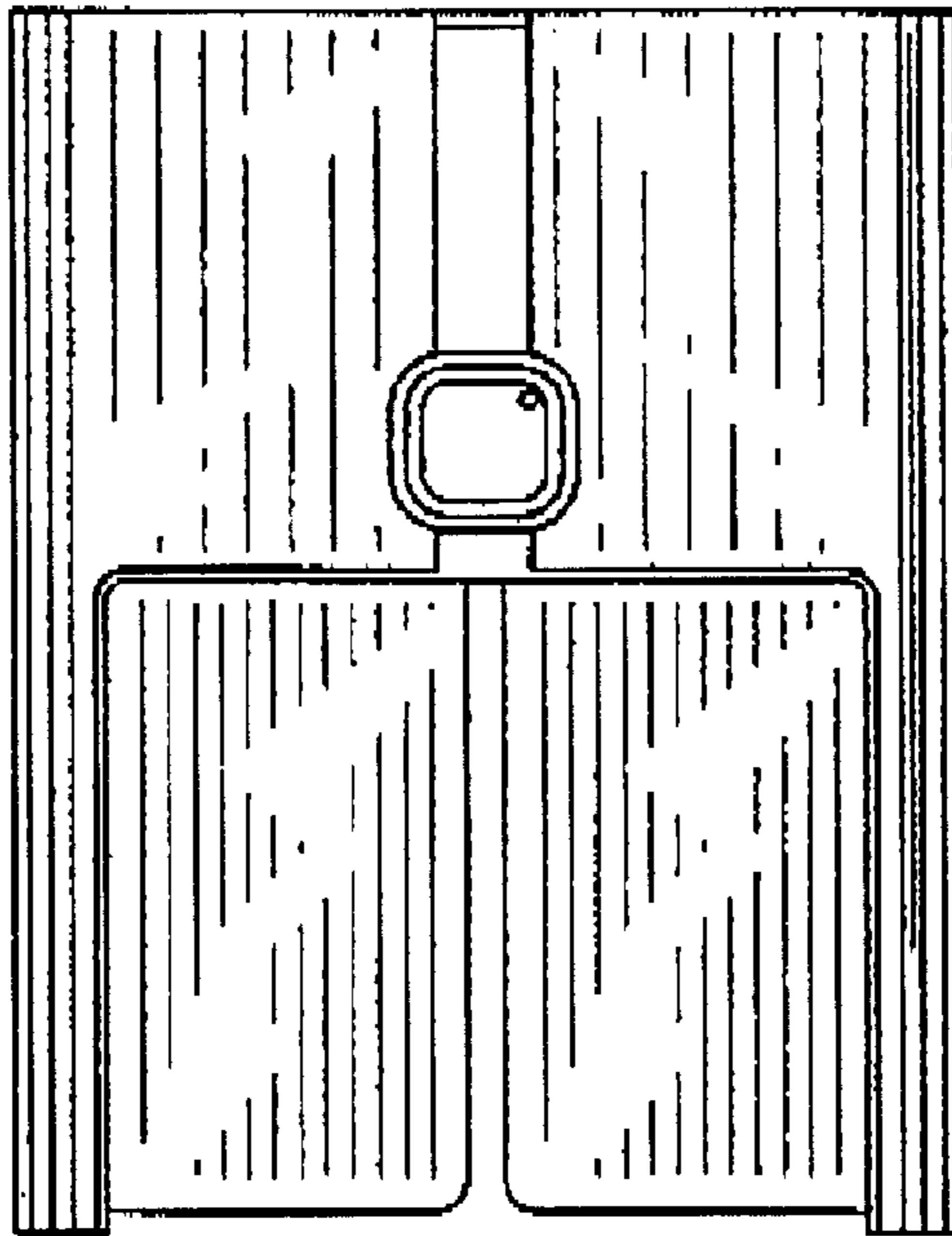


FIG. 2

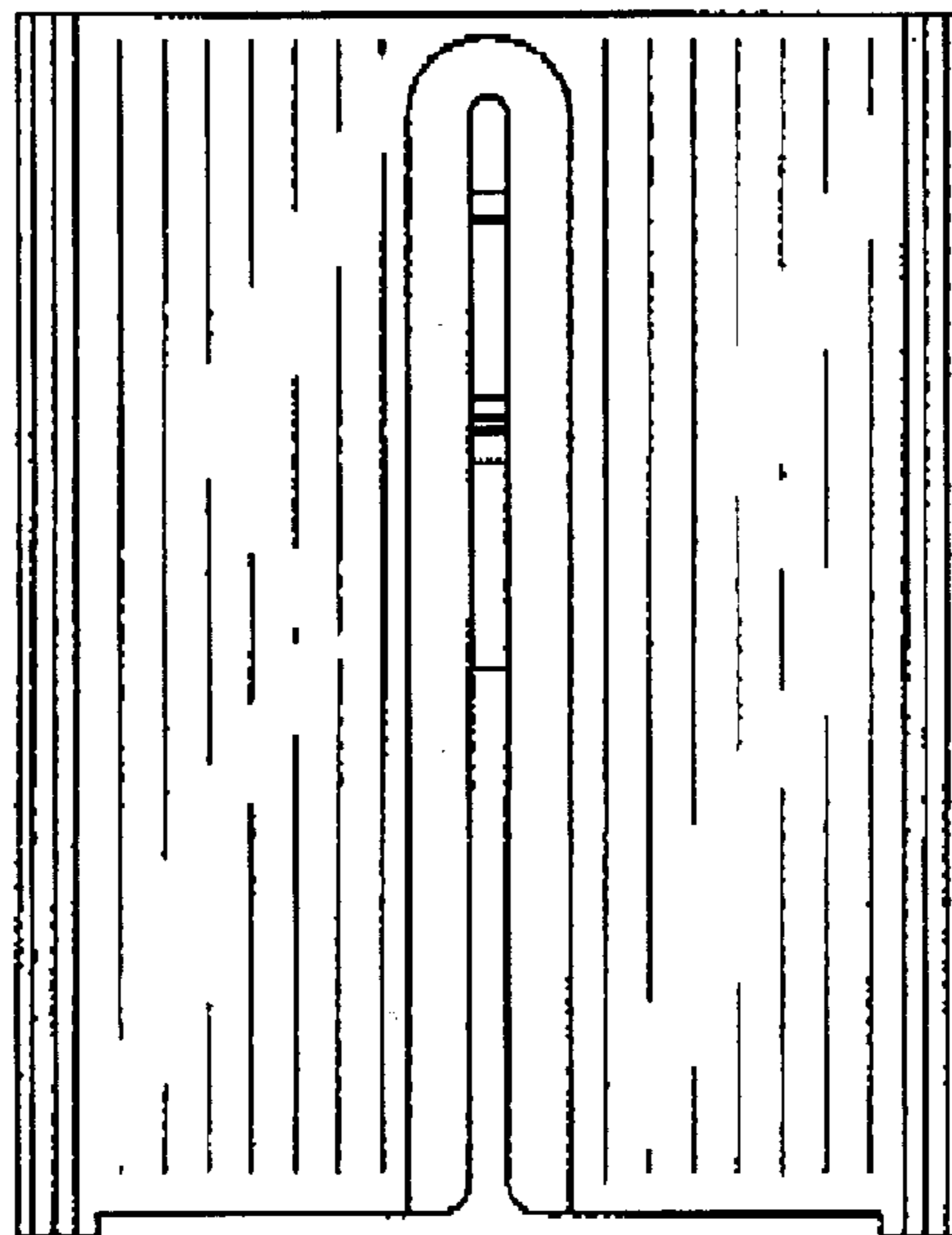


FIG. 3

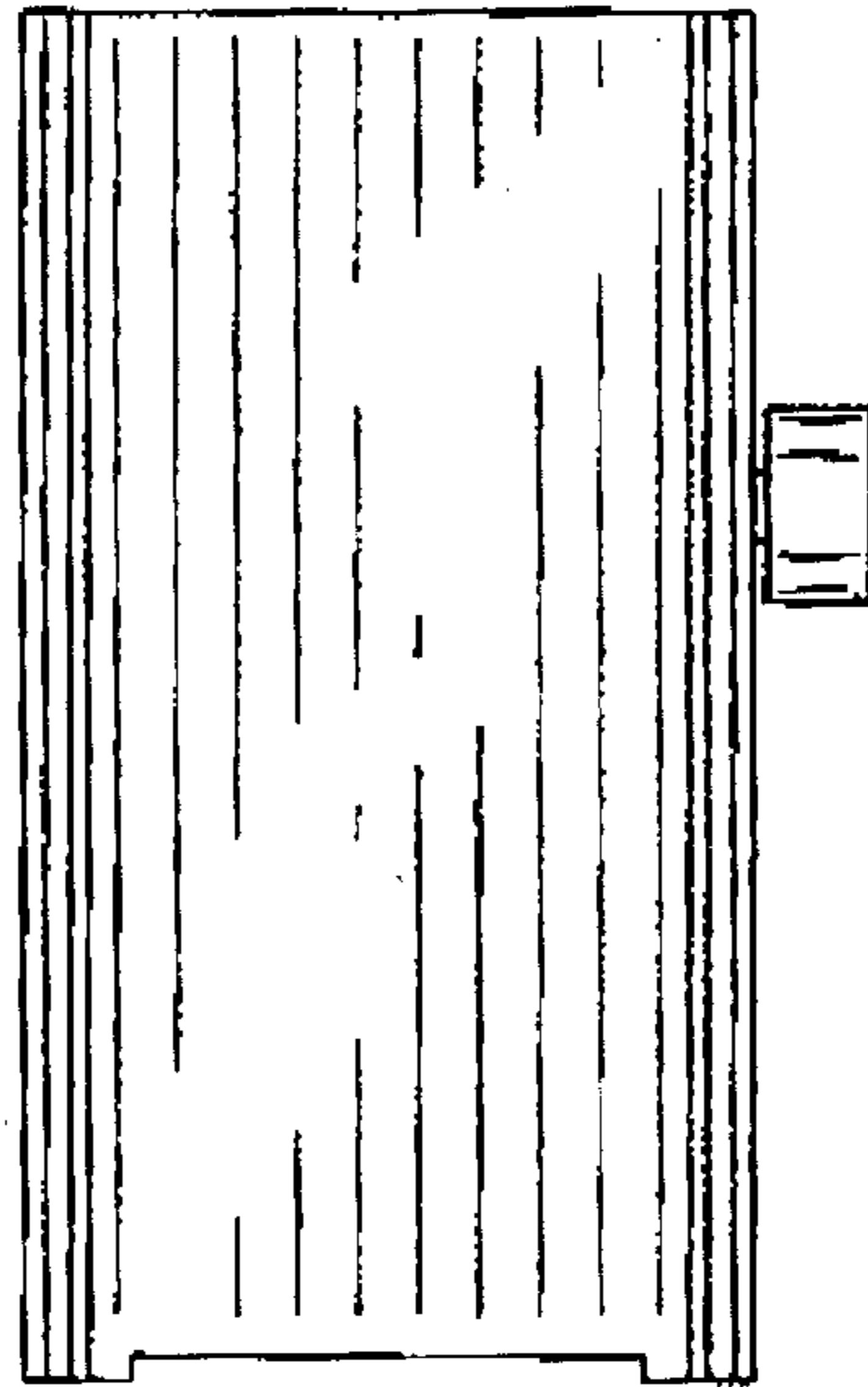


FIG. 4

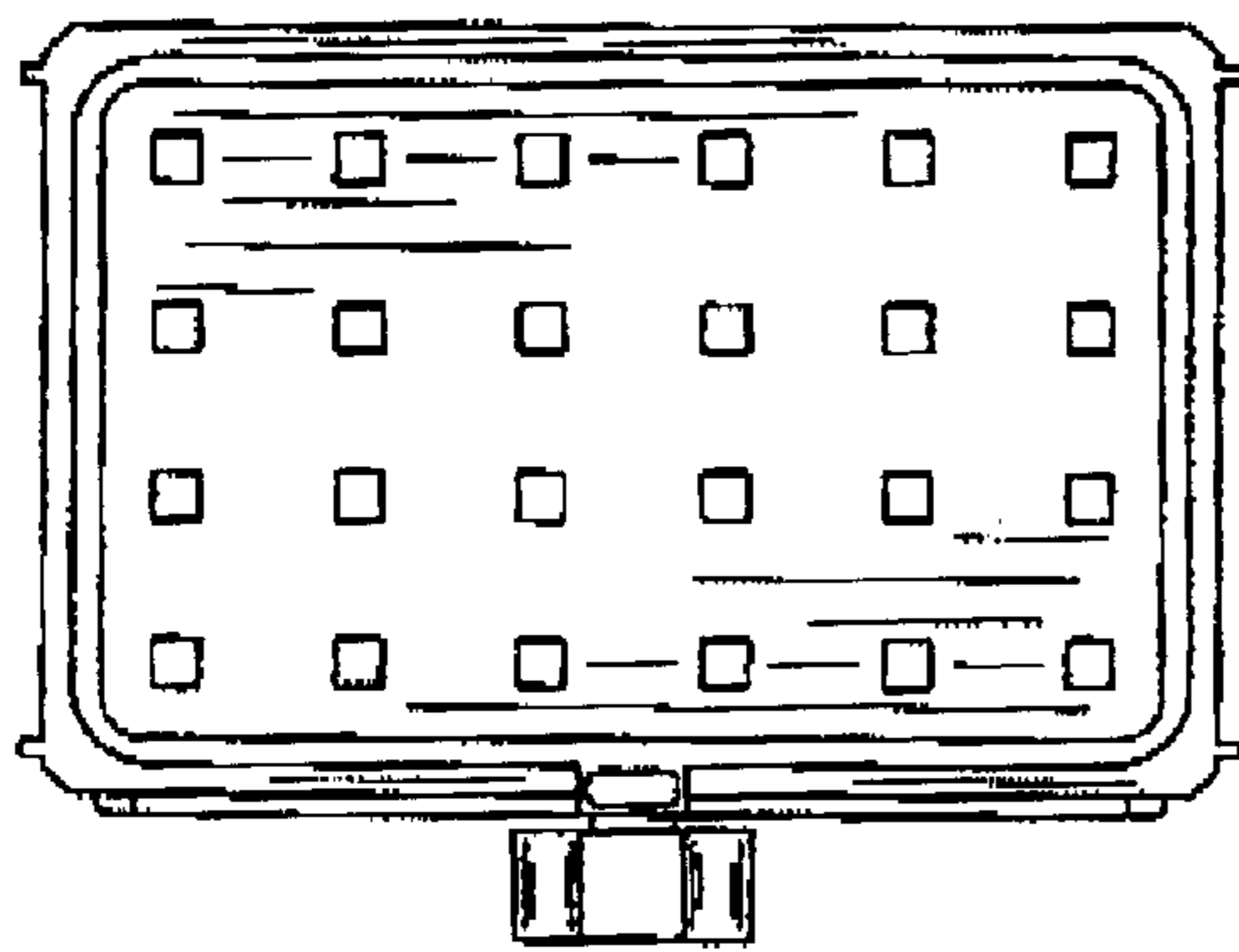


FIG. 5

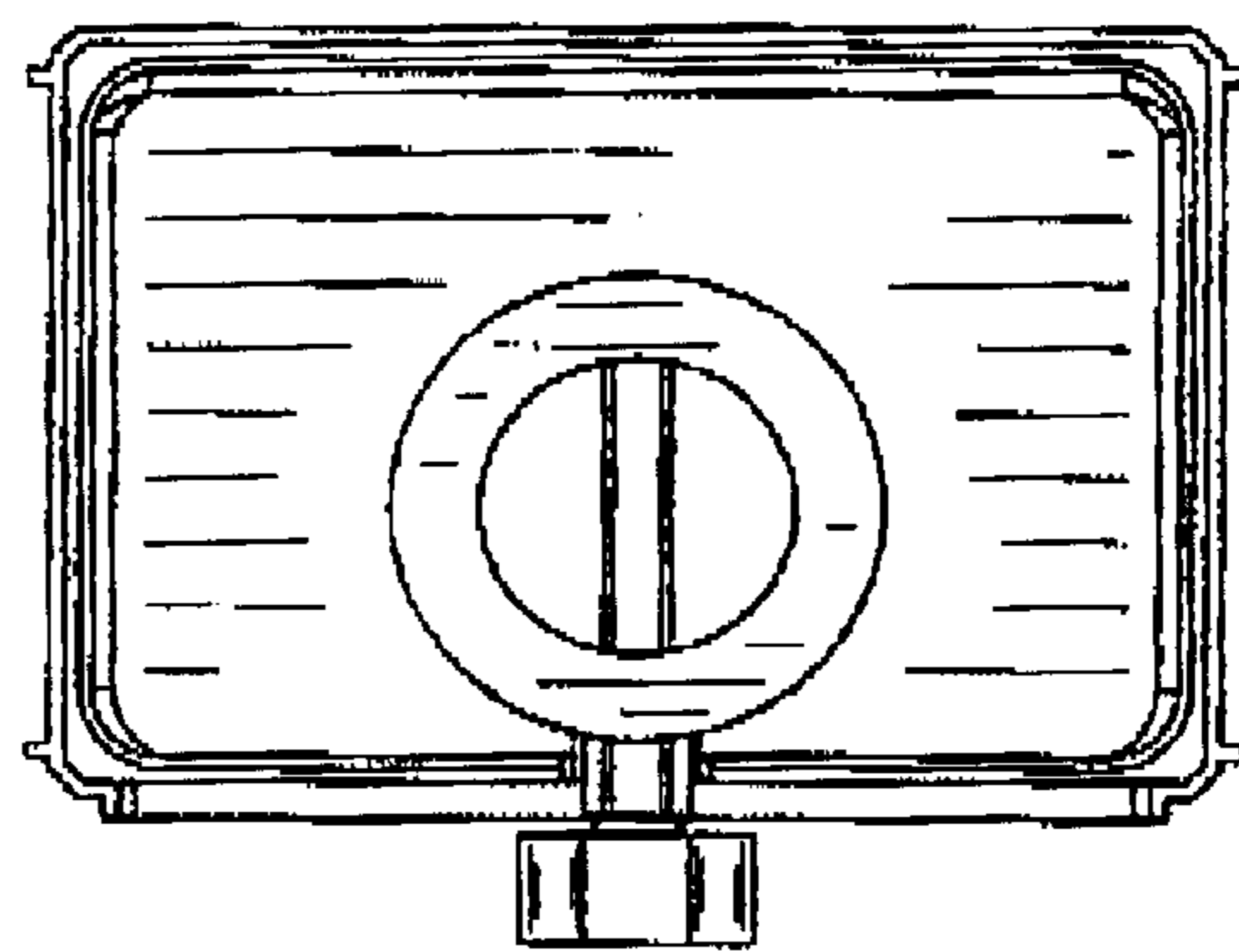


FIG. 6