



US00D537731S

(12) **United States Design Patent** (10) **Patent No.:** **US D537,731 S**
Shimizu et al. (45) **Date of Patent:** **** Mar. 6, 2007**

(54) **CONTAINER FOR GLUE WITH STAND**

D407,633 S * 4/1999 Jacobs D9/674
D522,377 S * 6/2006 Meyer D9/674

(75) Inventors: **Keiji Shimizu**, Kobe (JP); **Eizo Kajigaki**, Takatsuki (JP); **Chiaki Hata**, Ibaraki (JP); **Masaaki Hama**, Kamakura (JP)

FOREIGN PATENT DOCUMENTS

WO WO 01/56894 8/2001

OTHER PUBLICATIONS

(73) Assignee: **Taoka Chemical Co., Ltd.**, Osaka (JP)

U.S. Toy Company 2003 Catalog, p. 92, Space shuttle eraser.*

(**) Term: **14 Years**

“Candy Containers for Collectors” by Debra S. Braun, 2002, p. 118, m&m’s Minis Aircraft.*

(21) Appl. No.: **29/242,566**

* cited by examiner

(22) Filed: **Nov. 14, 2005**

(30) **Foreign Application Priority Data**

Primary Examiner—Sandra L. Morris

Aug. 1, 2005 (JP) 2005-022358

(74) *Attorney, Agent, or Firm*—Nixon & Vanderhye P.C.

(51) **LOC (8) Cl.** **09-01**

(57) **CLAIM**

(52) **U.S. Cl.** **D9/674; D9/521; D9/517**

The ornamental design for a “container for glue with stand,” as shown and described.

(58) **Field of Classification Search** D9/600, D9/672–674, 723–729, 516–517, 520–521; D21/452; D28/7; 206/457, 459.1, 822, 823; 220/890

DESCRIPTION

See application file for complete search history.

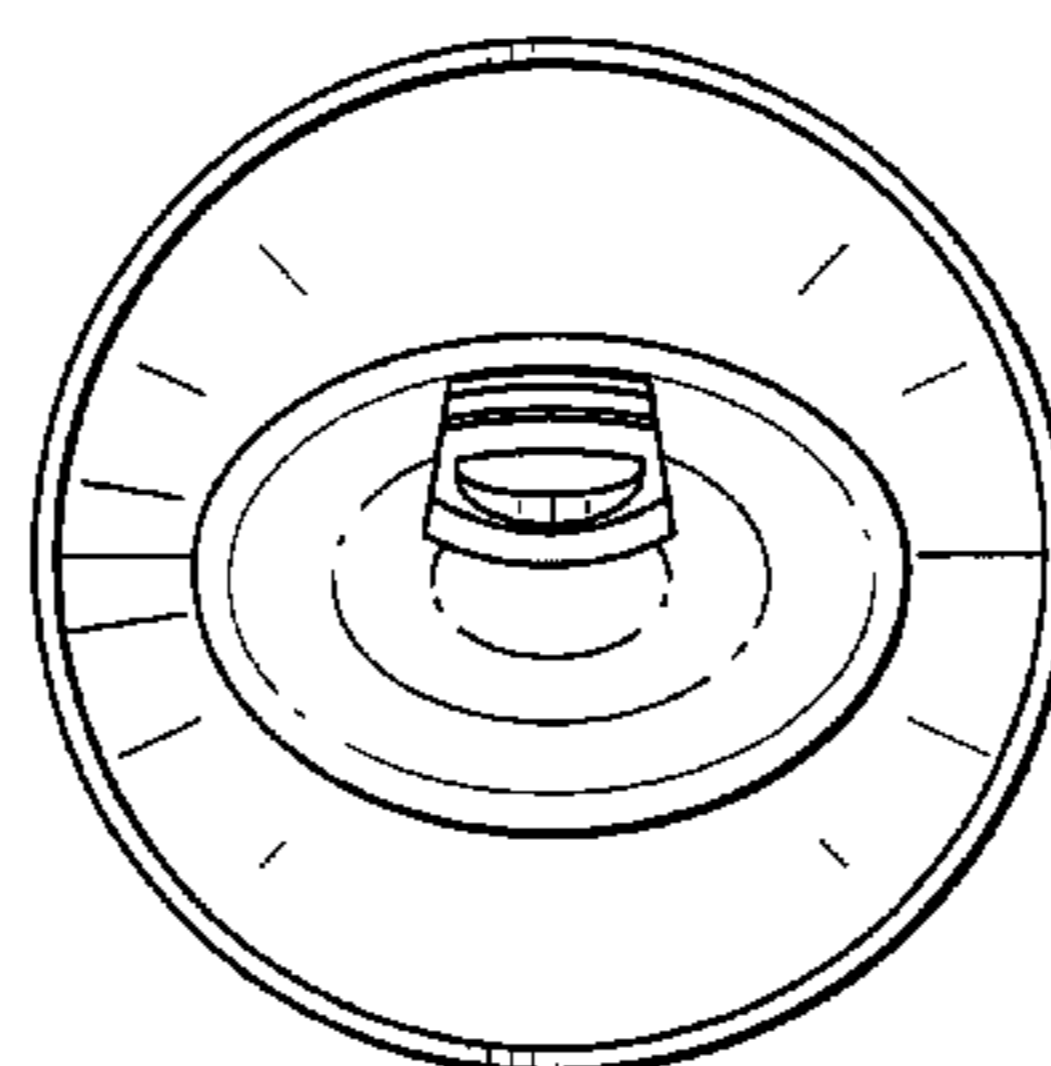
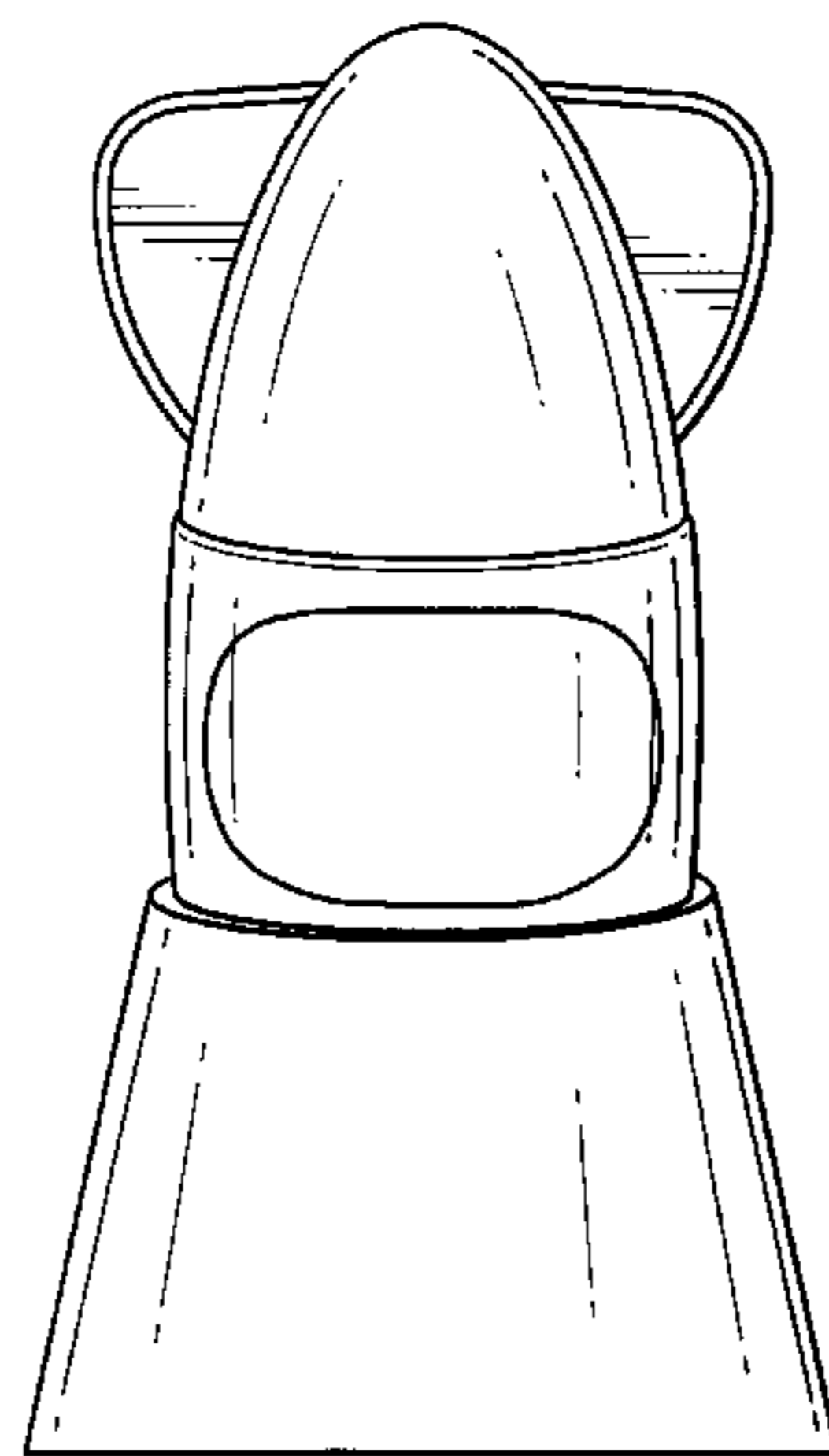
FIG. 1 is a perspective view of the design;
FIG. 2 is a front elevational view of the design;
FIG. 3 is a rear elevational view of the design;
FIG. 4 is a side elevational view of one side of the design, the other side being the same in appearance as the one side;
FIG. 5 is a plan view of the top of the design;
FIG. 6 is a plan view of the bottom of the design; and
FIG. 7 is an exploded perspective view of the design.

(56) **References Cited**

U.S. PATENT DOCUMENTS

D188,566 S * 8/1960 Morian D9/674
D200,076 S * 1/1965 Hill et al. D9/674
D379,925 S * 6/1997 Ma D9/674
D382,196 S * 8/1997 Ma D9/674
D406,921 S * 3/1999 Roeder D28/7

1 Claim, 3 Drawing Sheets



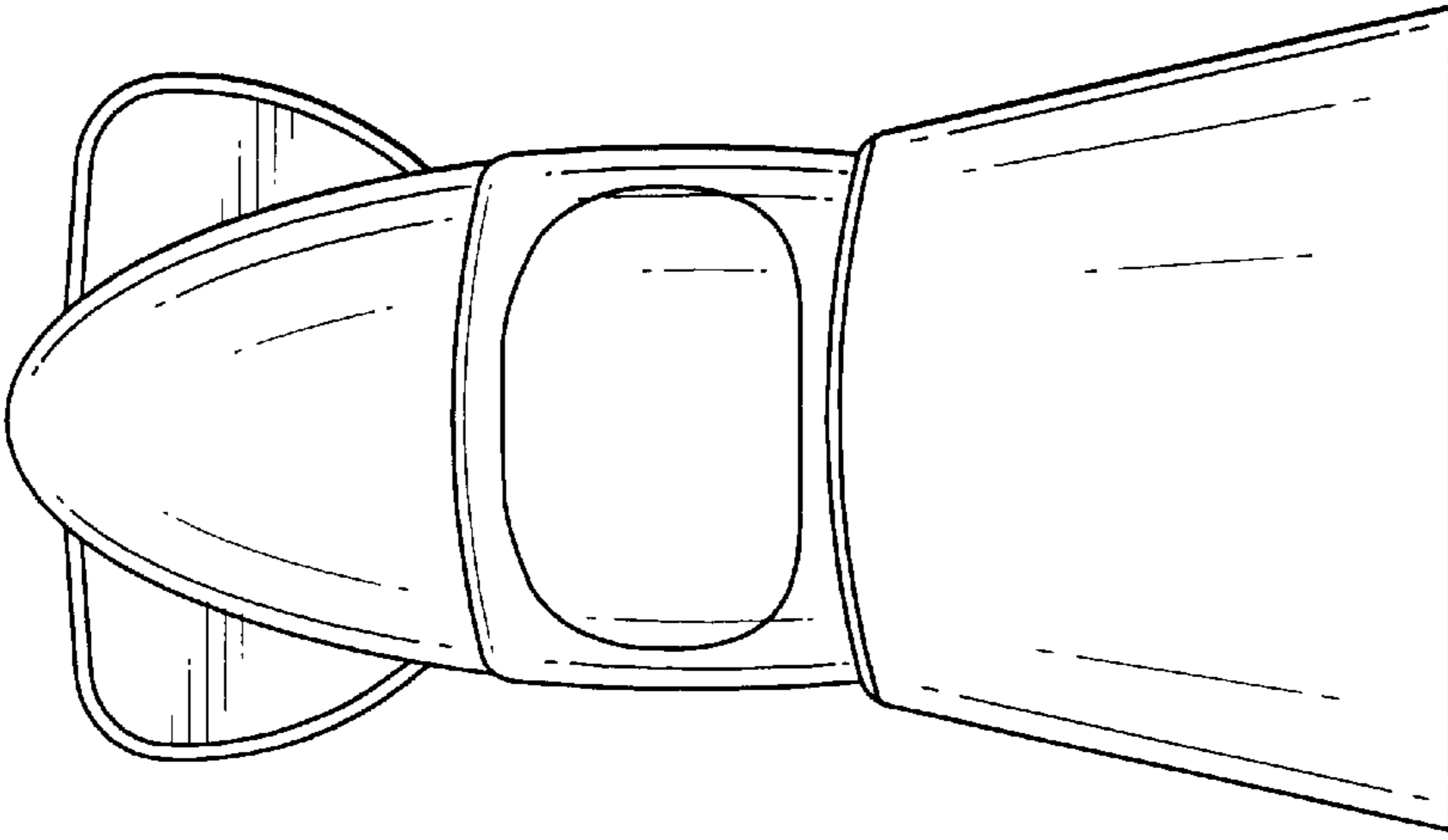


Fig. 1

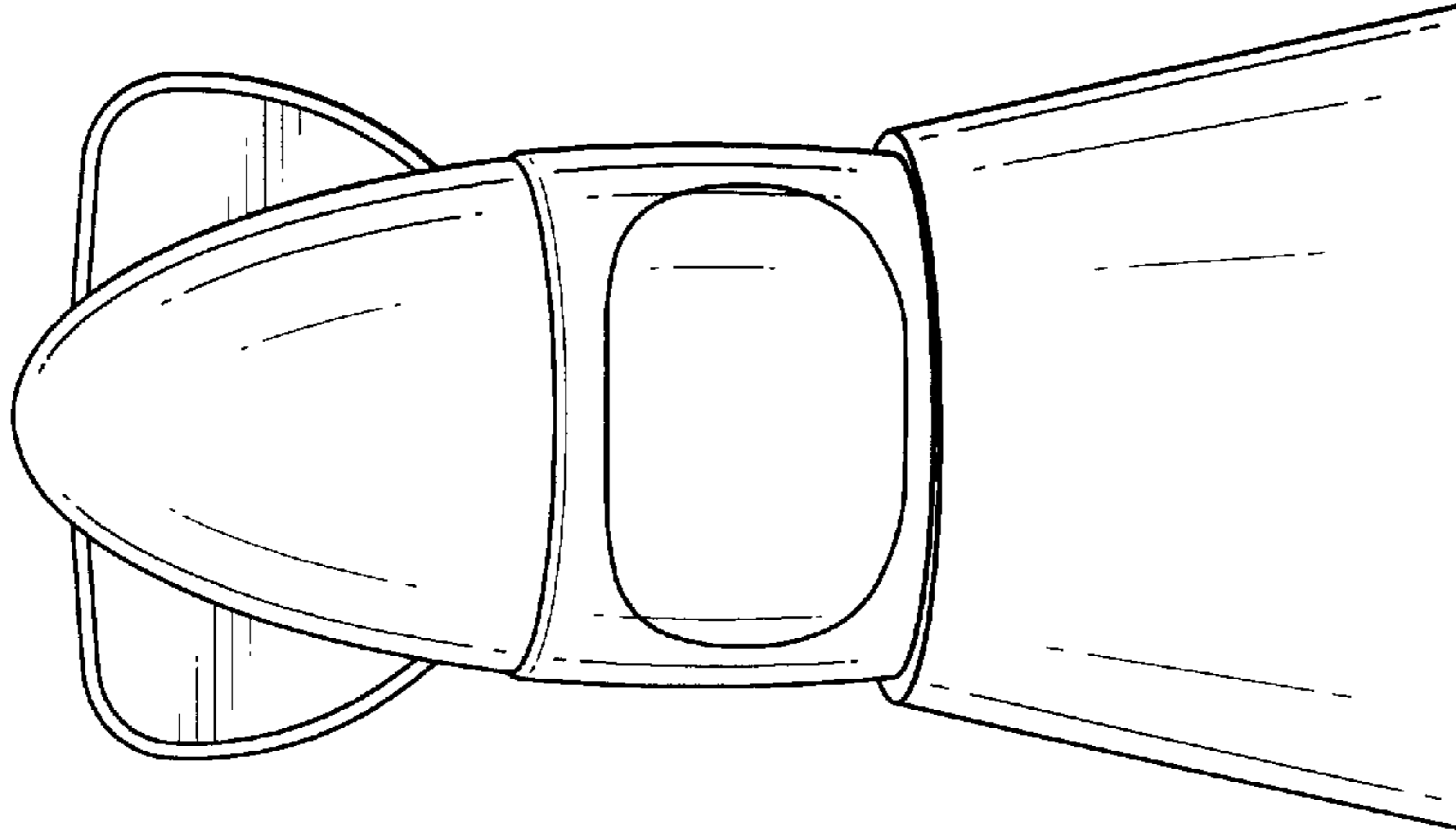


Fig. 2

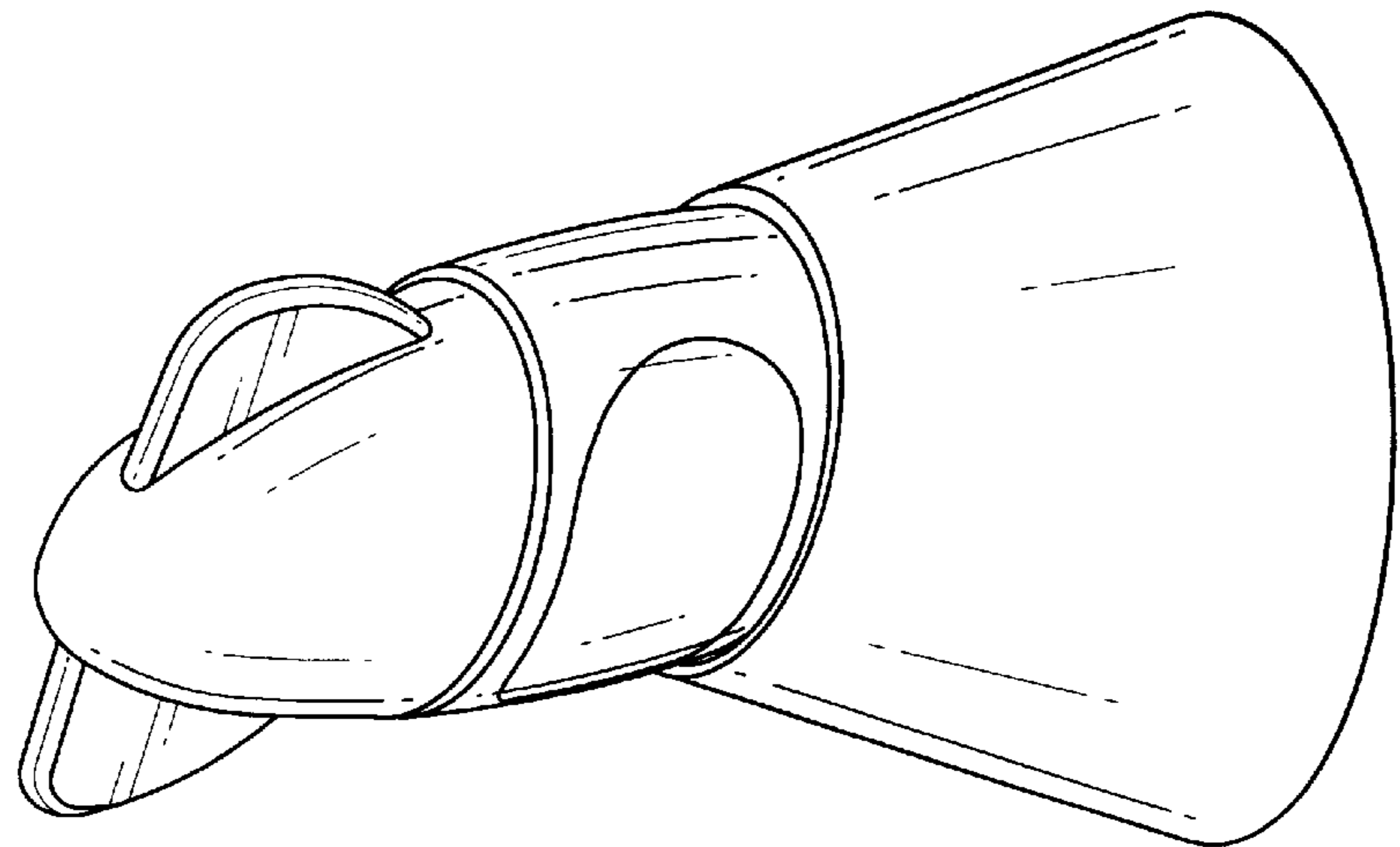


Fig. 3

Fig. 5

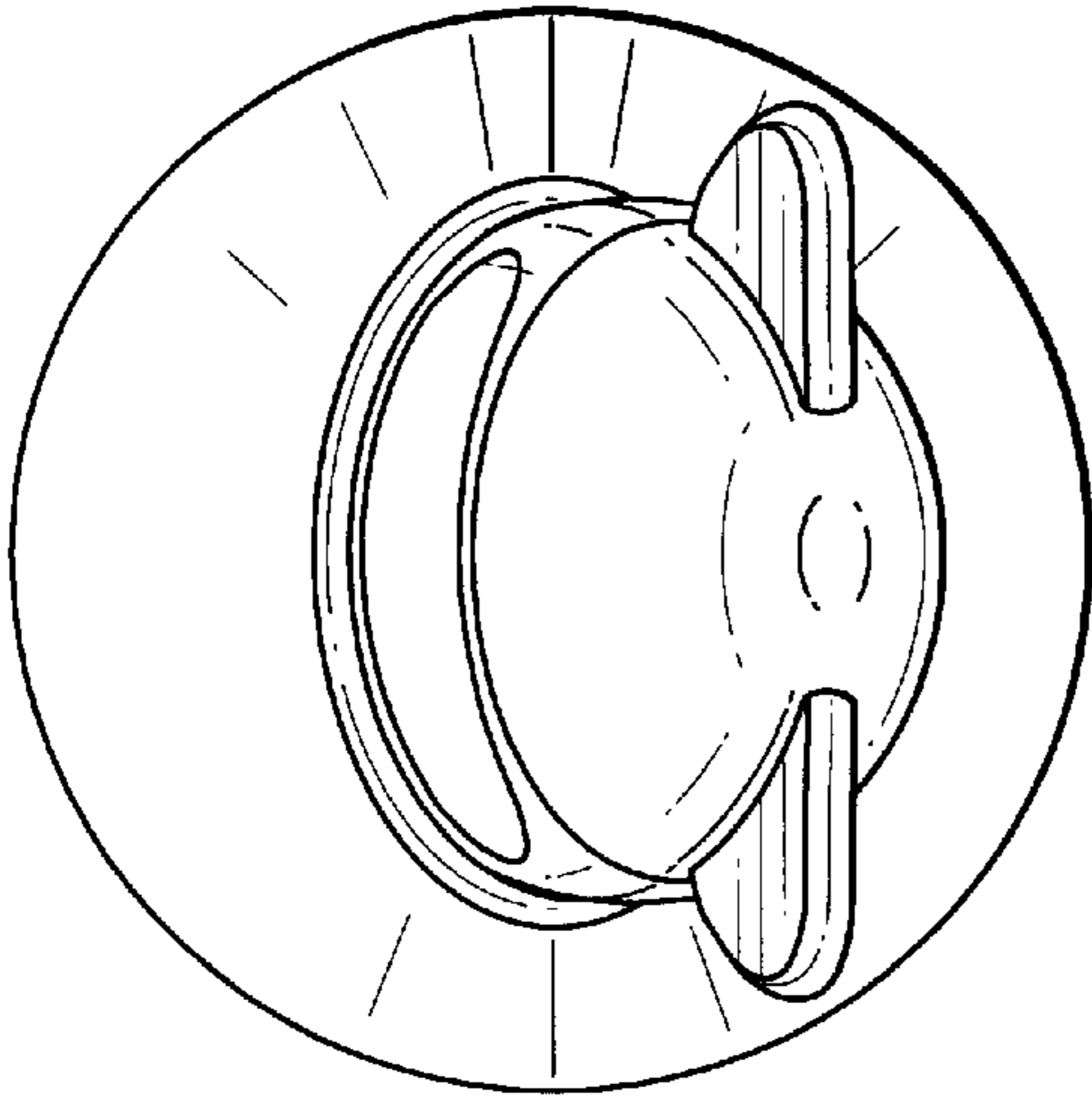


Fig. 6

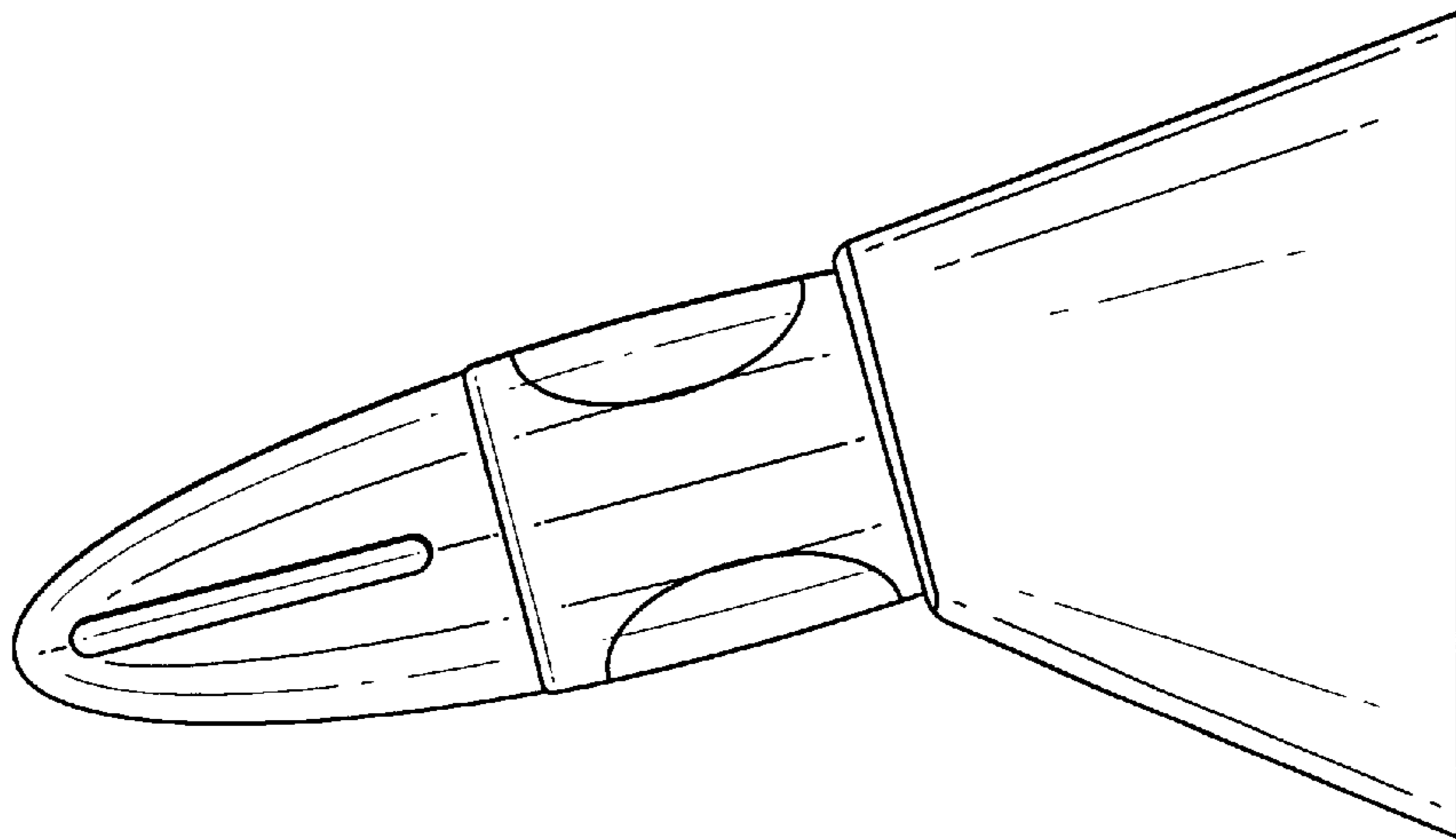
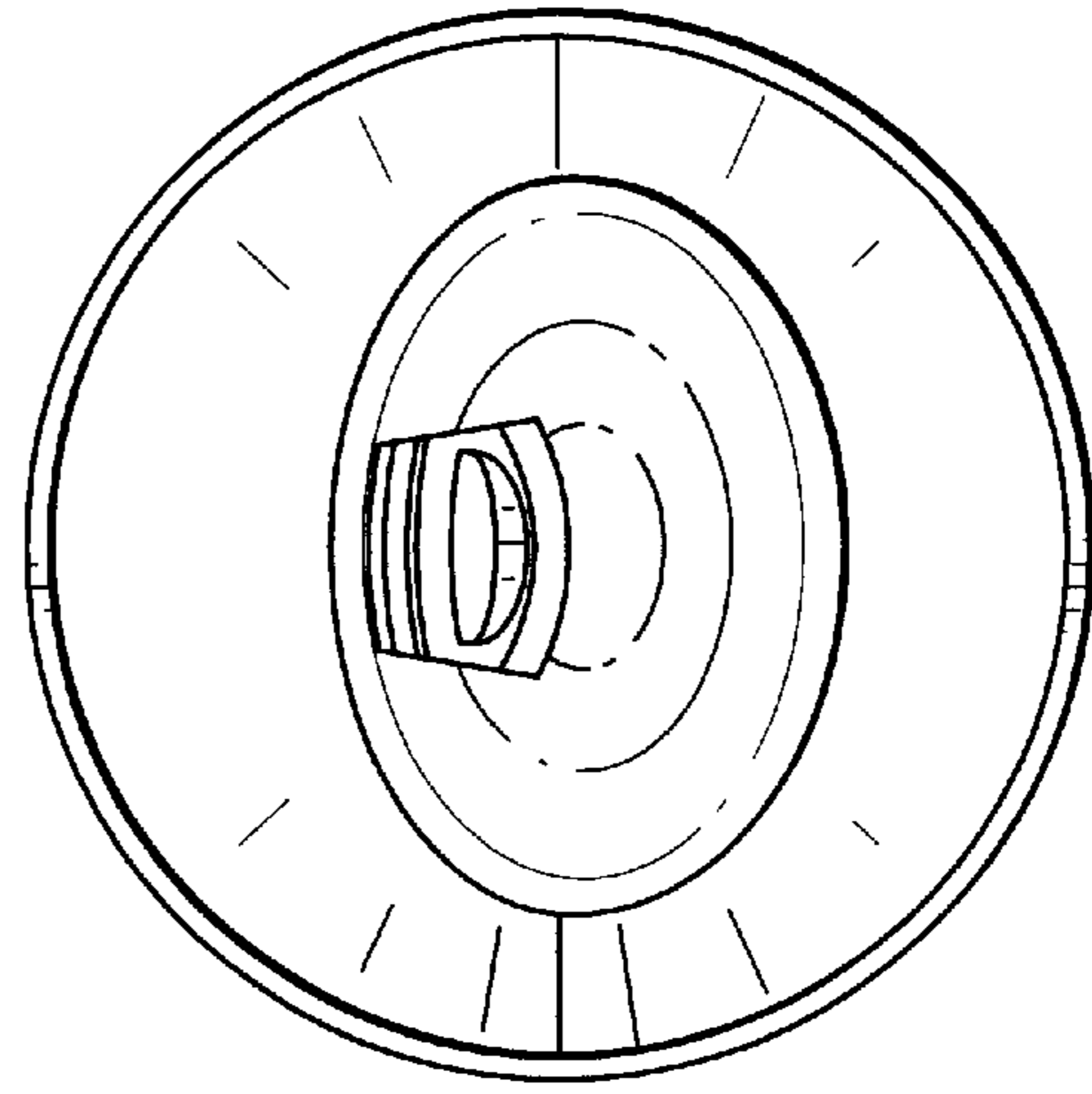


Fig. 4

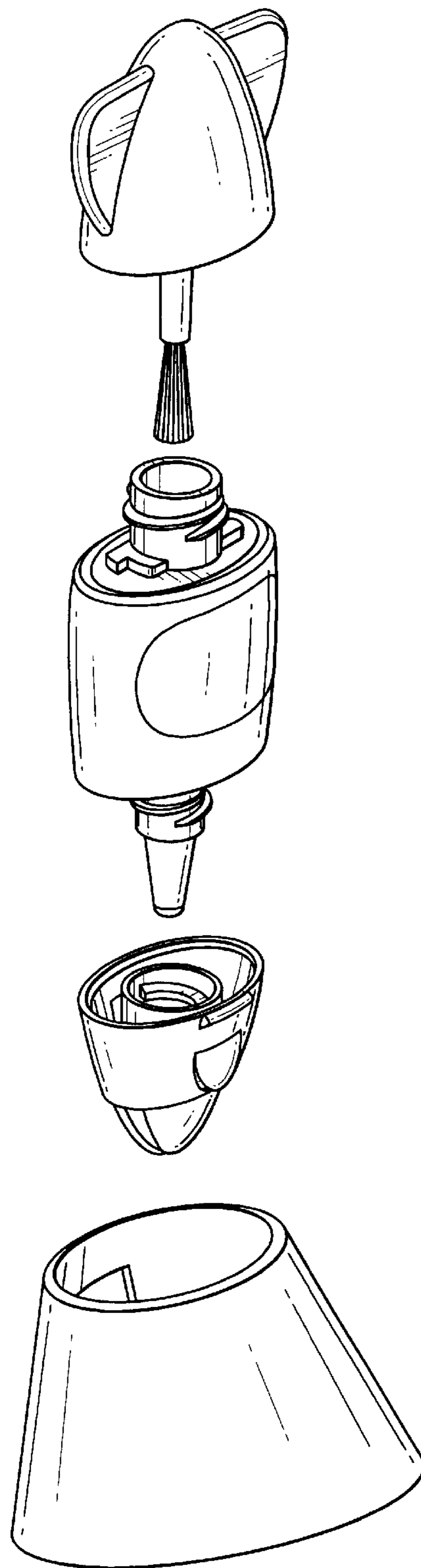


Fig. 7