



US00D537728S

(12) **United States Design Patent**
De Monclin

(10) **Patent No.:** **US D537,728 S**
(45) **Date of Patent:** **** Mar. 6, 2007**

(54) **BOTTLE**

OTHER PUBLICATIONS

(76) Inventor: **Henry De Monclin**, Ateliers Dinand, 12
Rue Carnot, 92300 Levallois-Perret
(FR)

Glass Containers, Owens-Illinois Glass Co., p. 172.*

* cited by examiner

(**) Term: **14 Years**

Primary Examiner—Stella Reid

Assistant Examiner—Keli Acker

(21) Appl. No.: **29/224,607**

(74) *Attorney, Agent, or Firm*—Blank Rome LLP

(22) Filed: **Mar. 7, 2005**

(57) **CLAIM**

(30) **Foreign Application Priority Data**

The ornamental design for a bottle, as shown and described.

Sep. 8, 2004 (GB) 3018677
Sep. 21, 2004 (GB) 3018795

DESCRIPTION

(51) **LOC (8) Cl.** **09-01**

FIG. 1 is a side elevational view of a bottle in accordance with a first embodiment of the design;

(52) **U.S. Cl.** **D9/573**

FIG. 2 is an end elevational view of the bottle illustrated in FIG. 1;

(58) **Field of Classification Search** D9/544,
D9/516, 530, 542, 520, 574, 571–573, 682,
D9/694, 435; 215/382–384

FIG. 3 is a top plan view of the bottle illustrated in FIGS. 1–2;

See application file for complete search history.

FIG. 4 is a bottom plan view of the bottle illustrated in FIGS. 1–3;

(56) **References Cited**

FIG. 5 is a side elevational view of a bottle in accordance with a second embodiment of the design;

U.S. PATENT DOCUMENTS

D25,023 S * 12/1895 Rantine D9/543
D60,472 S * 2/1922 Smith D9/573
D291,778 S * 9/1987 Rosenwinkel D9/542
D323,984 S * 2/1992 Hamilton et al. D9/520
D377,755 S * 2/1997 Kotyuk et al. D9/682
D381,275 S * 7/1997 Lecoule D9/572

FIG. 6 is an end elevational view of the bottle illustrated in FIG. 5;

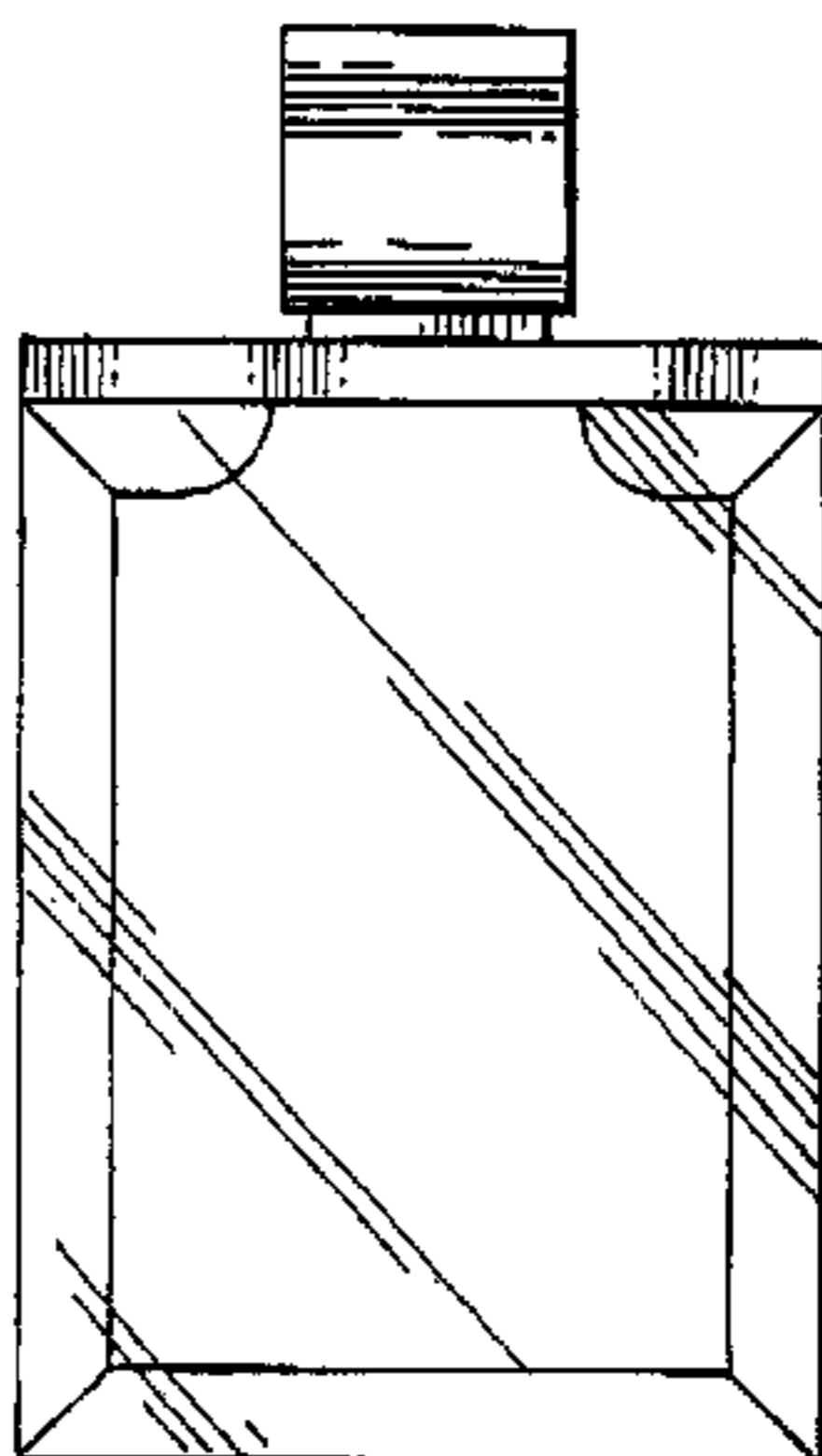
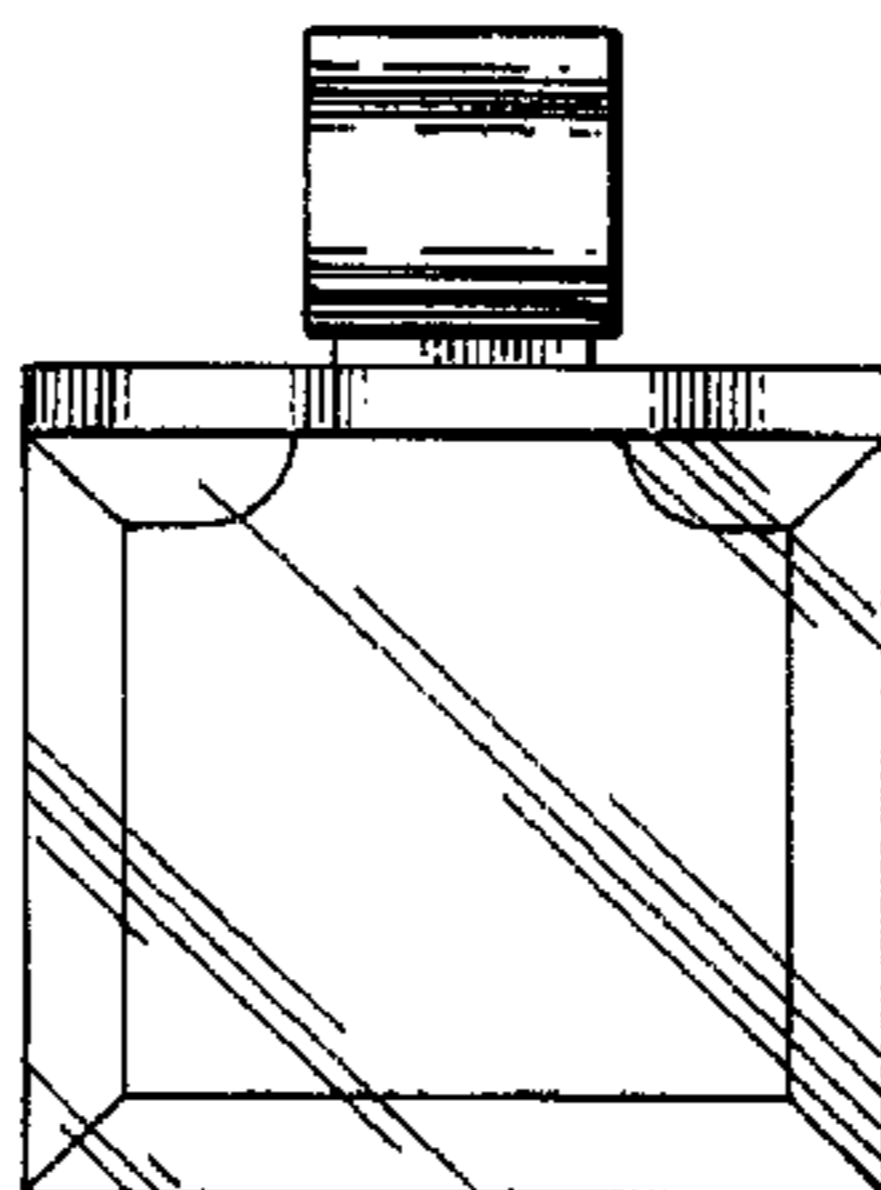
FIG. 7 is a top plan view of the bottle illustrated in FIGS. 5–6; and,

FIG. 8 is a bottom plan view of the bottle illustrated in FIGS. 5–7.

FOREIGN PATENT DOCUMENTS

EM EN000453741 * 12/2005

1 Claim, 2 Drawing Sheets



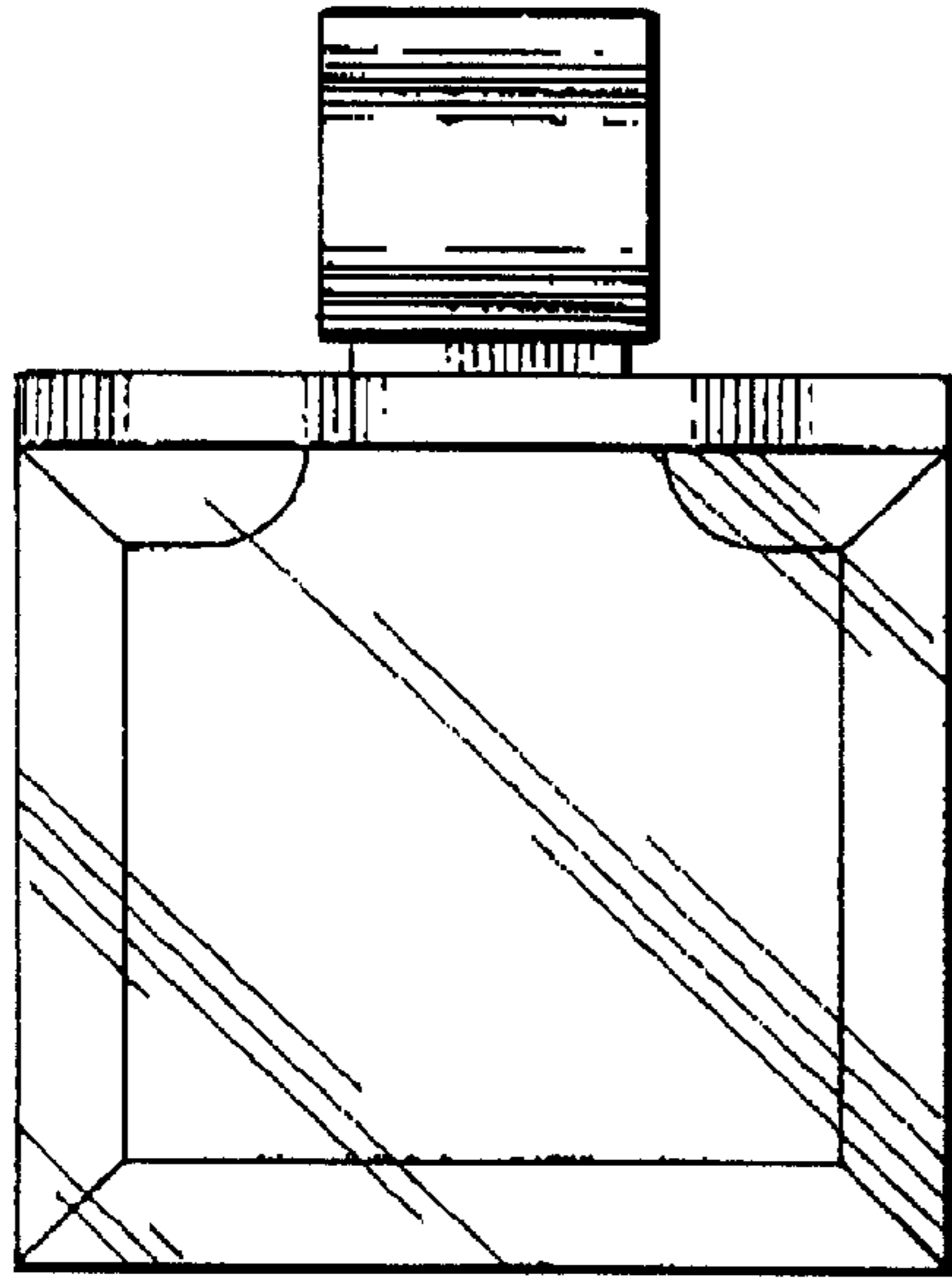


FIG. 1

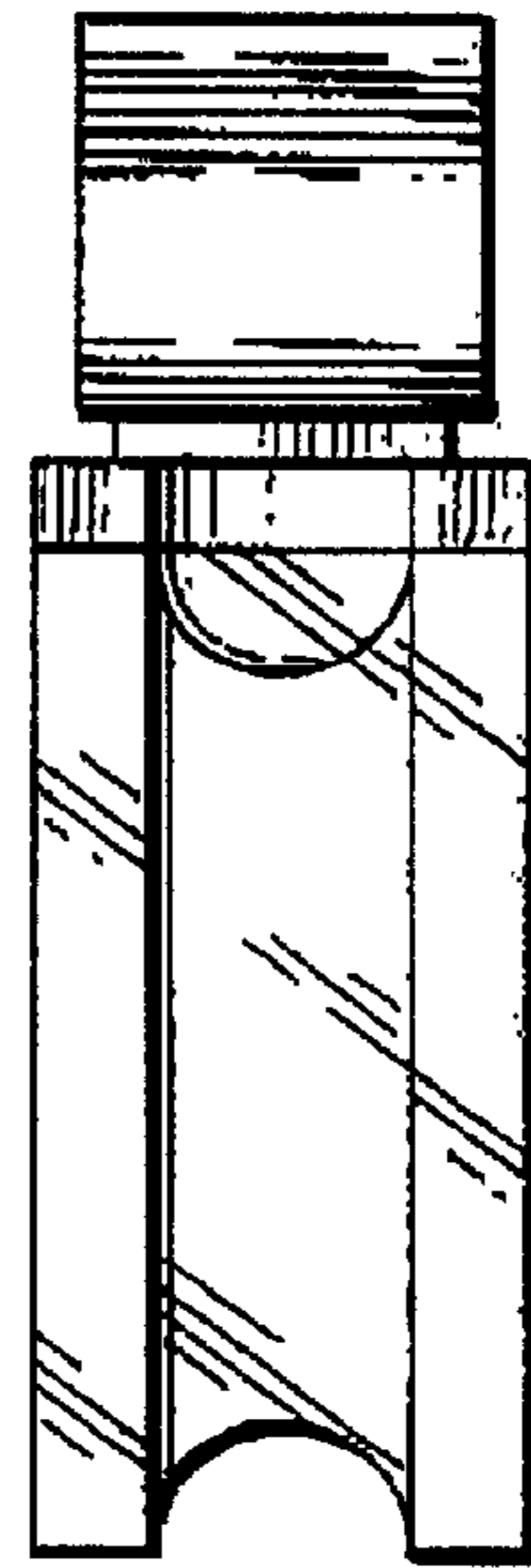


FIG. 2

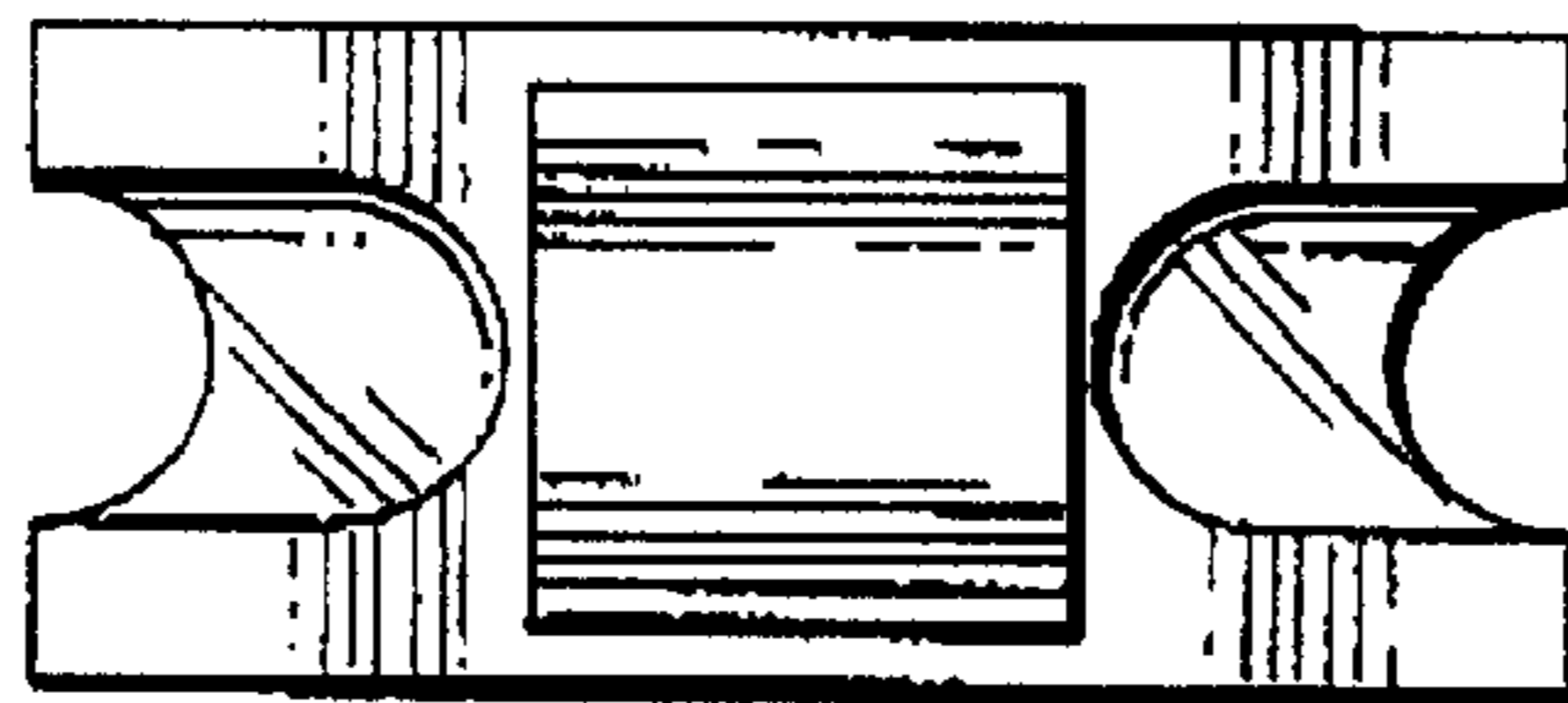


FIG. 3

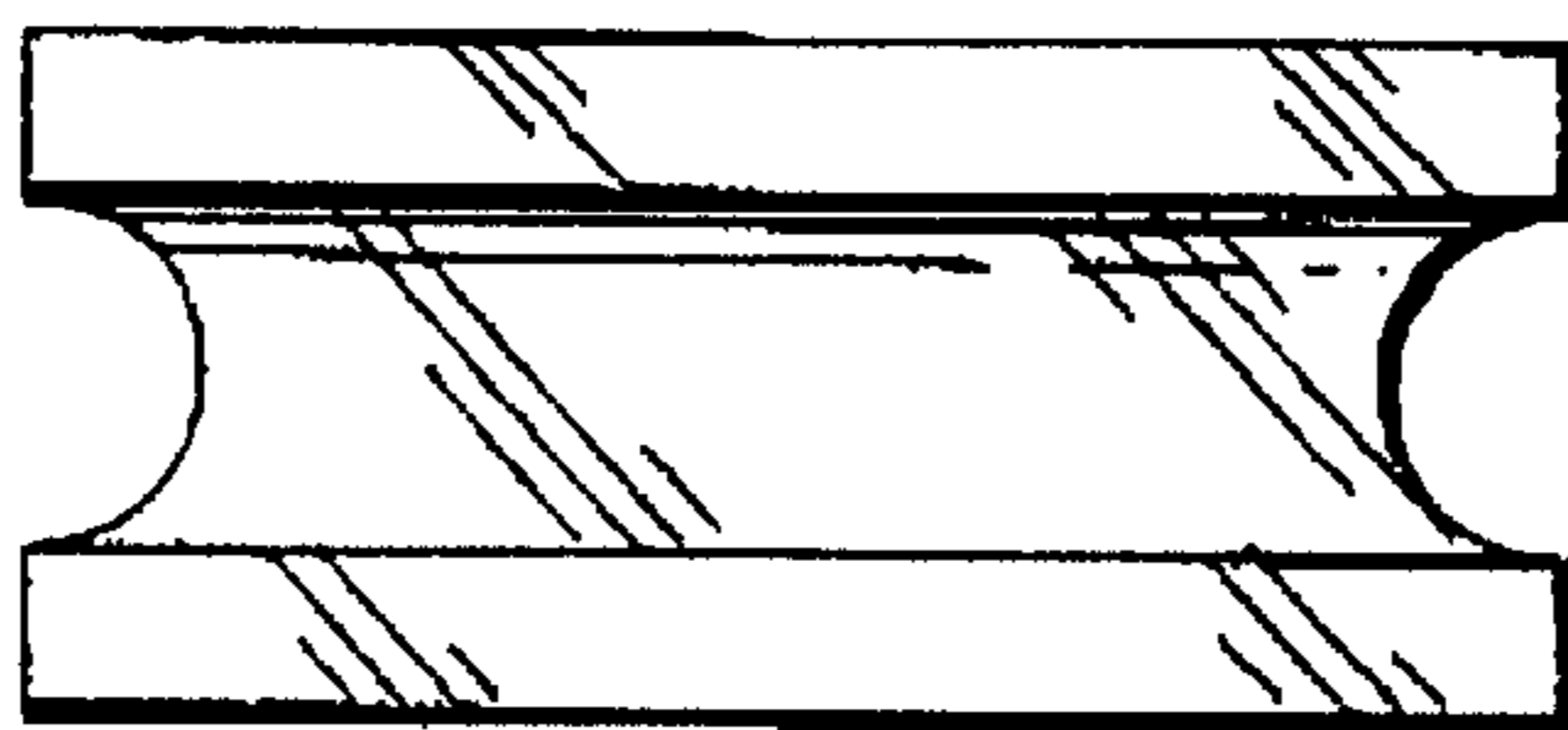


FIG. 4

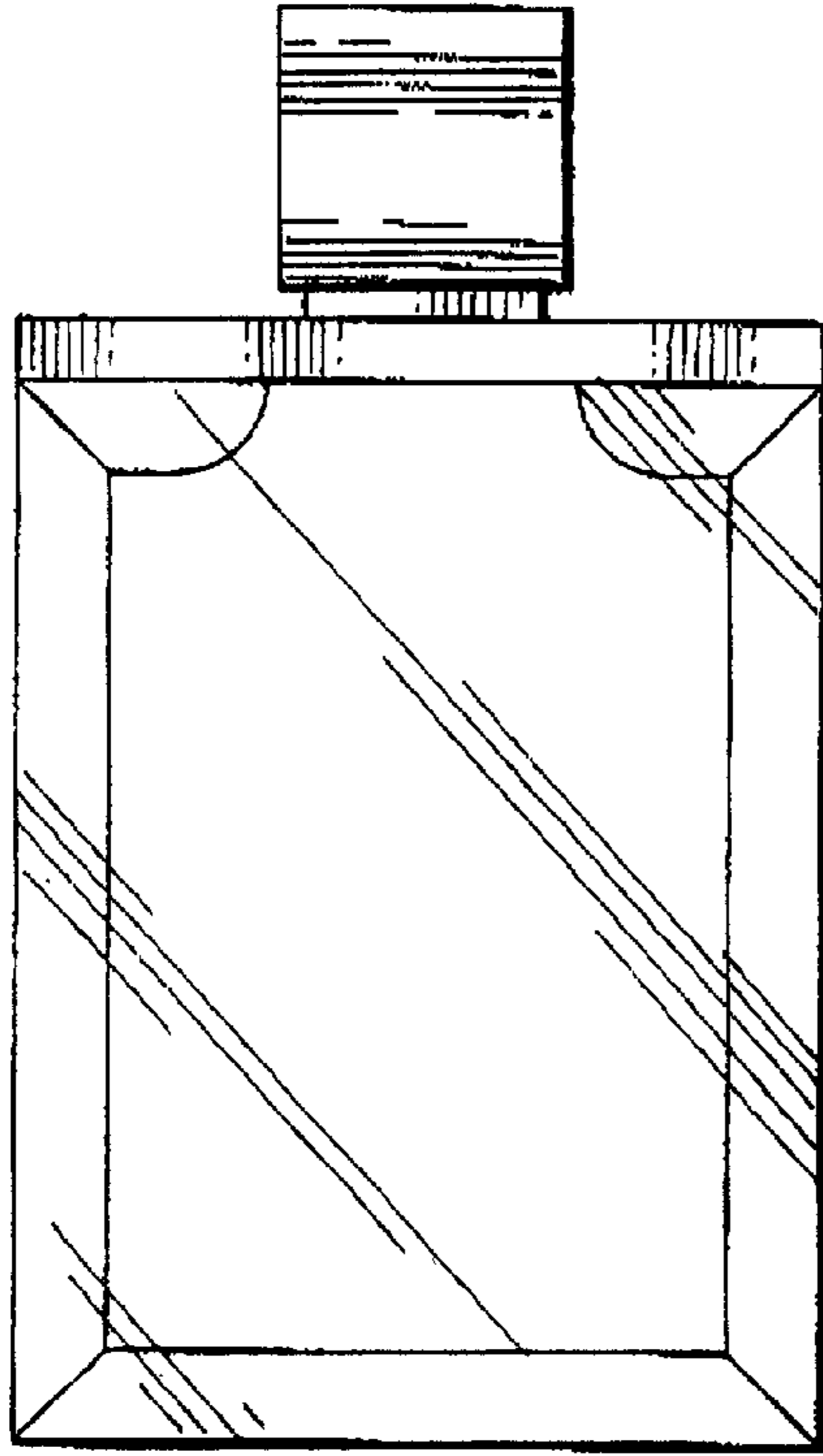


FIG. 5

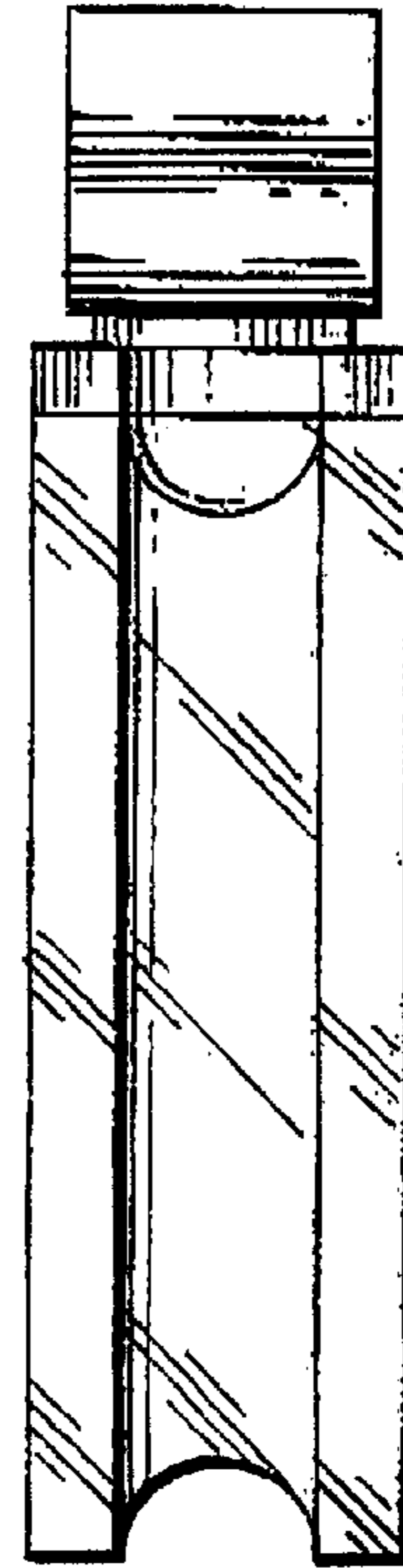


FIG. 6

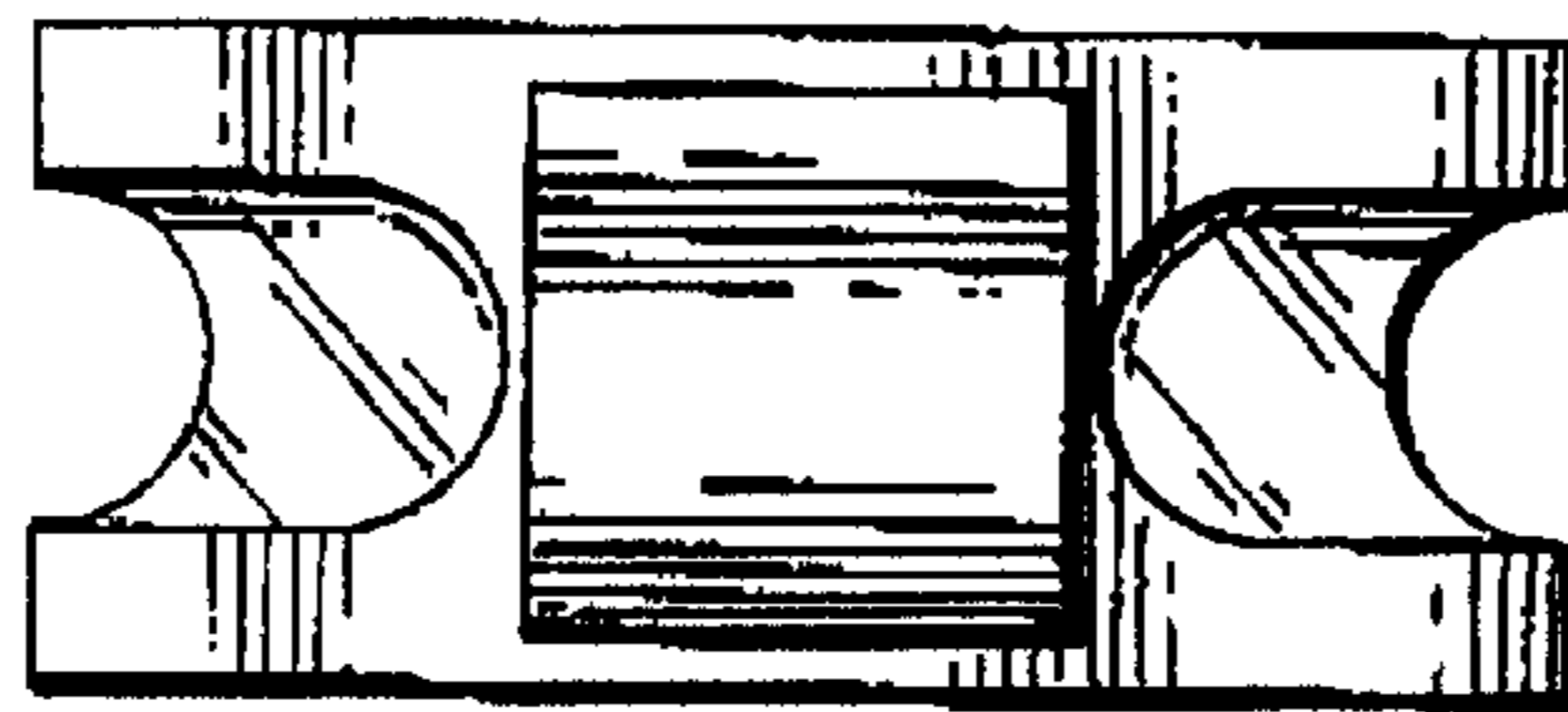


FIG. 7



FIG. 8

UNITED STATES PATENT AND TRADEMARK OFFICE
CERTIFICATE OF CORRECTION

PATENT NO. : Des. 537,728 S
APPLICATION NO. : 29/224607
DATED : March 6, 2007
INVENTOR(S) : Henry De Monclin

Page 1 of 1

It is certified that error appears in the above-identified patent and that said Letters Patent is hereby corrected as shown below:

On the Title page, item [73] add:

--Assignee: Juniper Brand Development Limited--

Signed and Sealed this

Eighth Day of April, 2008

A handwritten signature in black ink that reads "Jon W. Dudas". The signature is written in a cursive style with a large, looped initial "J".

JON W. DUDAS

Director of the United States Patent and Trademark Office