

US00D537726S

(12) **United States Design Patent**
Elgebrant

(10) **Patent No.:** **US D537,726 S**

(45) **Date of Patent:** **** Mar. 6, 2007**

(54) **PACKAGING**

(75) Inventor: **Johan Elgebrant**, Helsingborg (SE)

(73) Assignee: **Tetra Laval Holdings & Finance S.A.**,
Pully (CH)

(**) Term: **14 Years**

(21) Appl. No.: **29/193,251**

(22) Filed: **Nov. 7, 2003**

(30) **Foreign Application Priority Data**

May 9, 2003 (SE) 03-0531

(51) **LOC (8) Cl.** **09-01**

(52) **U.S. Cl.** **D9/560**

(58) **Field of Classification Search** D9/417,
D9/430-431, 433, 510, 512, 514, 516-517,
D9/547, 560, 563-564, 568, 571-574; 215/379,
215/381-385, 393, 395; 220/677, 678
See application file for complete search history.

(56) **References Cited**

U.S. PATENT DOCUMENTS

| | | | | | |
|-------------|---|---------|----------------|-------|--------|
| D103,049 S | * | 2/1937 | Higgins | | D9/574 |
| D153,956 S | * | 5/1949 | Lay | | D9/453 |
| 3,848,760 A | | 11/1974 | Rausing | | |
| 3,935,968 A | | 2/1976 | Rausing | | |
| 4,014,724 A | | 3/1977 | Rausing | | |
| 4,126,238 A | | 11/1978 | Rausing | | |
| 4,281,769 A | | 8/1981 | Ignell | | |
| 4,400,862 A | | 8/1983 | Ignell | | |
| 4,512,832 A | | 4/1985 | Rausing | | |
| 4,526,314 A | | 7/1985 | Reil | | |
| D284,837 S | | 7/1986 | Nilsson | | |
| 4,604,850 A | | 8/1986 | Reil | | |
| 4,606,954 A | | 8/1986 | Rausing et al. | | |
| D304,424 S | * | 11/1989 | Dawson | | D9/453 |
| D333,785 S | | 3/1993 | Ohlsson et al. | | |
| D357,179 S | | 4/1995 | Nedstedt | | |
| 5,531,375 A | | 7/1996 | Palm | | |

(Continued)

Primary Examiner—Ian Simmons

Assistant Examiner—Dana Sipos

(74) *Attorney, Agent, or Firm*—Buchanan Ingersoll & Rooney, PC

(57) **CLAIM**

The ornamental design for a packaging, as shown and described.

DESCRIPTION

FIG. 1 is a top, front perspective view of a packaging showing a first embodiment of my new design.

FIG. 2 is a front elevational view thereof.

FIG. 3 is a right side elevational view thereof.

FIG. 4 is a left side elevational view thereof.

FIG. 5 is a rear elevational view thereof.

FIG. 6 is a bottom plan view thereof.

FIG. 7 is a top plan view thereof.

FIG. 8 is a top, front perspective view of a packaging showing a second embodiment of my new design.

FIG. 9 is a front elevational view thereof.

FIG. 10 is a right side elevational view thereof.

FIG. 11 is a left side elevational view thereof.

FIG. 12 is a rear elevational view thereof.

FIG. 13 is a bottom plan view thereof.

FIG. 14 is a top plan view thereof.

FIG. 15 is a top, front perspective view of the packaging of FIG. 1, with the cap removed.

FIG. 16 is a front elevational view thereof.

FIG. 17 is a right side elevational view thereof.

FIG. 18 is a left side elevational view thereof.

FIG. 19 is a rear elevational view thereof.

FIG. 20 is a bottom plan view thereof.

FIG. 21 is a top plan view thereof.

FIG. 22 is a top, front perspective view of the packaging of FIG. 8, with the cap removed.

FIG. 23 is a front elevational view thereof.

FIG. 24 is a right side elevational view thereof.

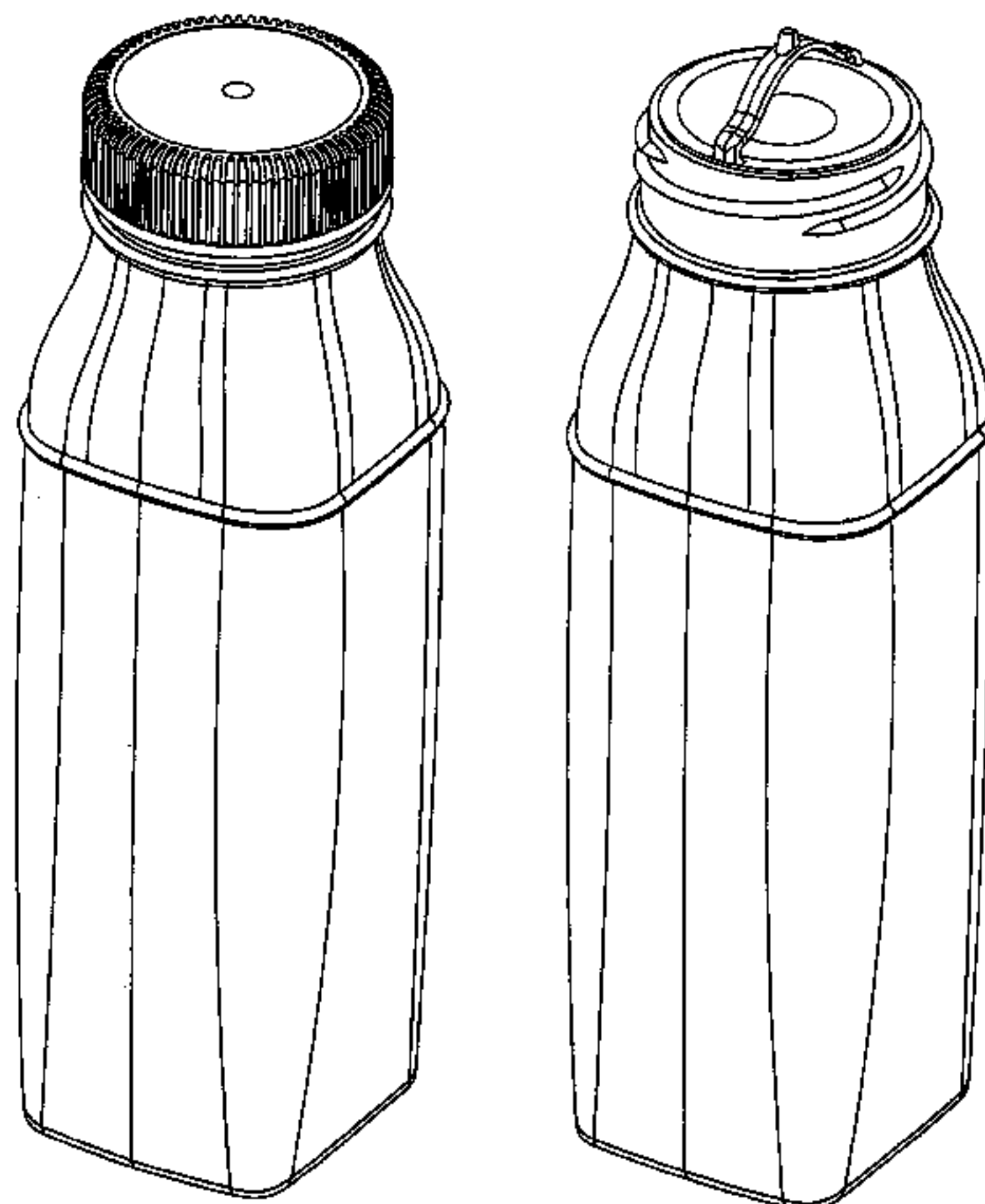
FIG. 25 is a left side elevational view thereof.

FIG. 26 is a rear elevational view thereof.

FIG. 27 is a bottom plan view thereof; and,

FIG. 28 is a top plan view thereof.

1 Claim, 24 Drawing Sheets



US D537,726 S

Page 2

U.S. PATENT DOCUMENTS

| | | | | | | |
|-----------|----|-----------|-----------------|-------|--------|--|
| 5,537,803 | A | 7/1996 | Olsen | | | |
| D382,488 | S | * 8/1997 | Ja | | D9/571 | |
| 5,704,541 | A | 1/1998 | Mogard | | | |
| D407,978 | S | * 4/1999 | Petro | | D9/453 | |
| 6,048,295 | A | 4/2000 | Olsen | | | |
| D427,068 | S | * 6/2000 | Hierzer et al. | | D9/436 | |
| D444,387 | S | * 7/2001 | Adachi et al. | | D9/529 | |
| 6,256,964 | B1 | 7/2001 | Drevfors | | | |
| D447,940 | S | 9/2001 | Quensel et al. | | | |
| D447,947 | S | 9/2001 | Nakagawa | | | |
| D448,285 | S | 9/2001 | Palm et al. | | | |
| D448,286 | S | 9/2001 | Quensel et al. | | | |
| 6,399,014 | B1 | 6/2002 | Hermodsson | | | |
| D460,357 | S | * 7/2002 | Kras et al. | | D9/435 | |
| D469,684 | S | * 2/2003 | Lerolle | | D9/682 | |
| D475,929 | S | * 6/2003 | Bakic | | D9/574 | |
| D481,314 | S | * 10/2003 | Noonan | | D9/438 | |
| D481,640 | S | * 11/2003 | Biesecker | | D9/573 | |
| D485,183 | S | * 1/2004 | Lerolle | | D9/503 | |
| D498,421 | S | * 11/2004 | Kostow | | D9/529 | |
| D498,423 | S | * 11/2004 | Kostow | | D9/574 | |
| D510,523 | S | * 10/2005 | Pitman et al. | | D9/452 | |
| D512,641 | S | * 12/2005 | Anderson et al. | | D9/530 | |
| D516,911 | S | * 3/2006 | Bloom et al. | | D9/453 | |

* cited by examiner

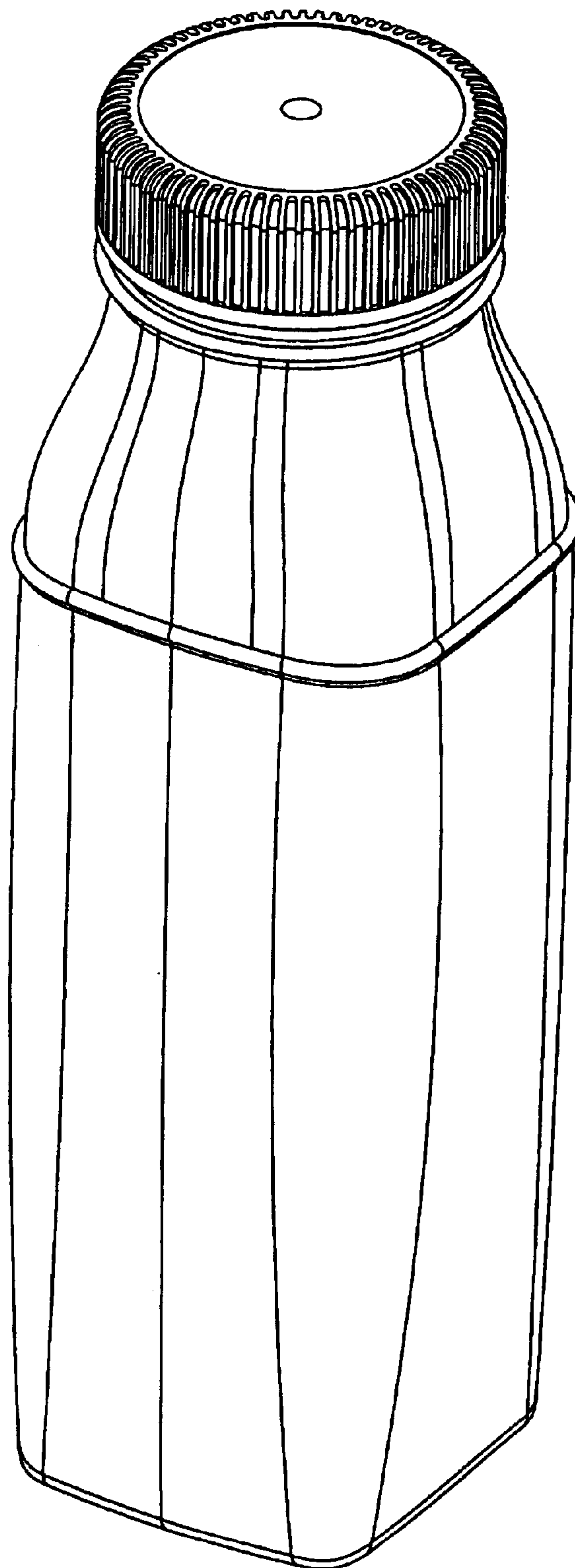


FIG. 1

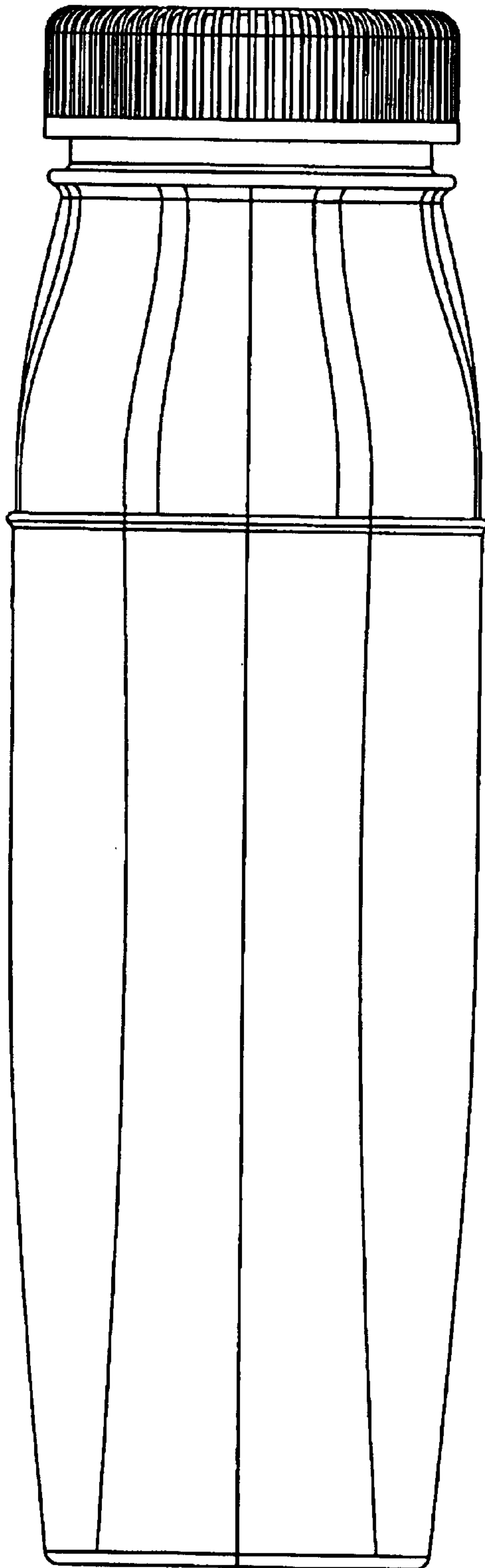


FIG. 2

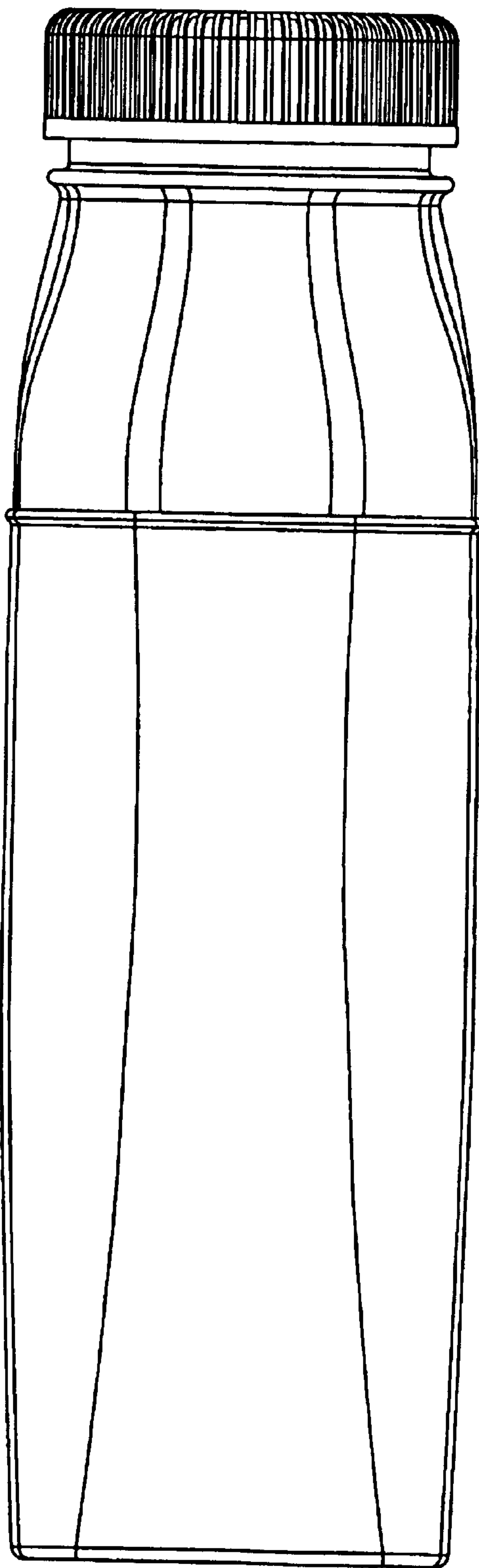


FIG. 3

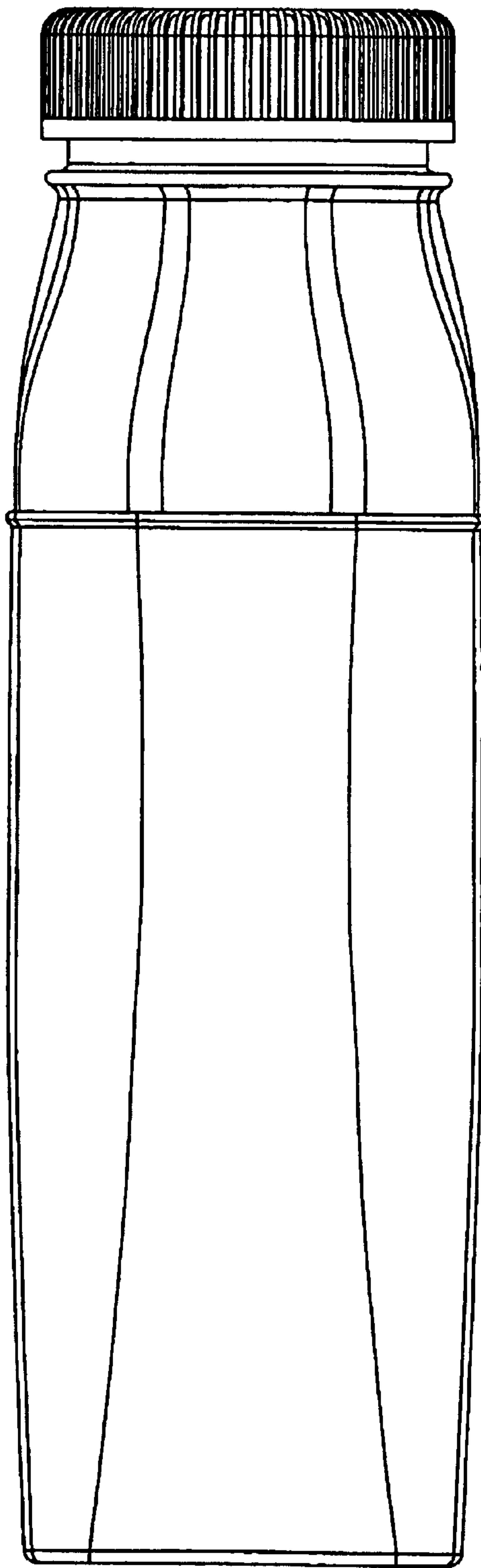


FIG. 4

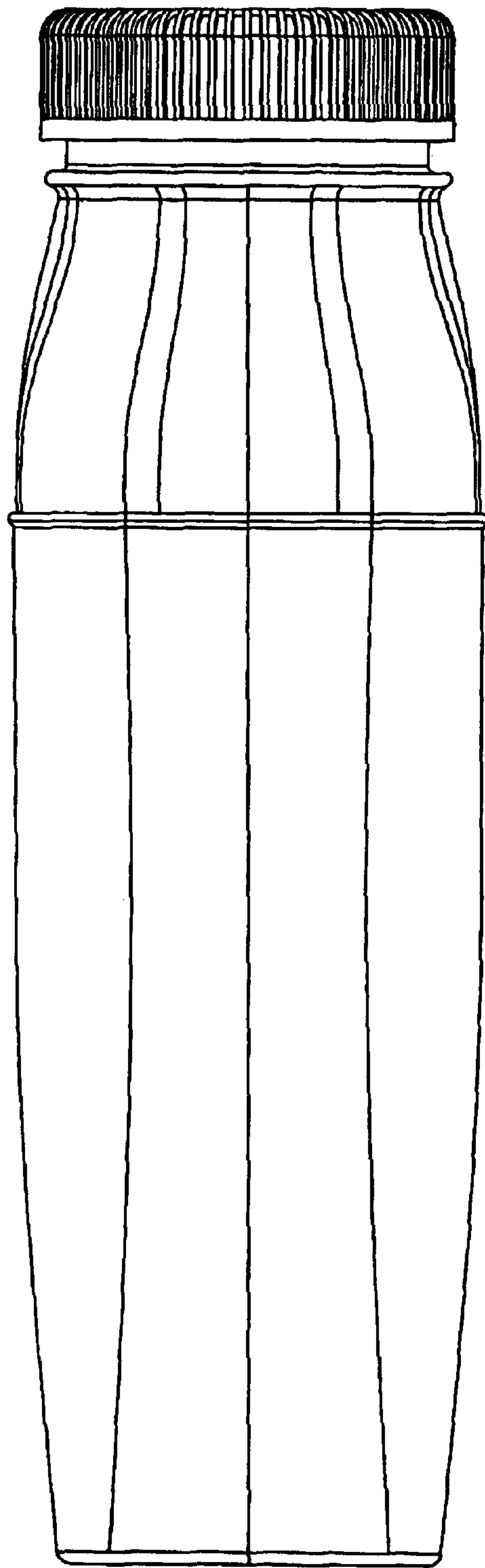


FIG. 5

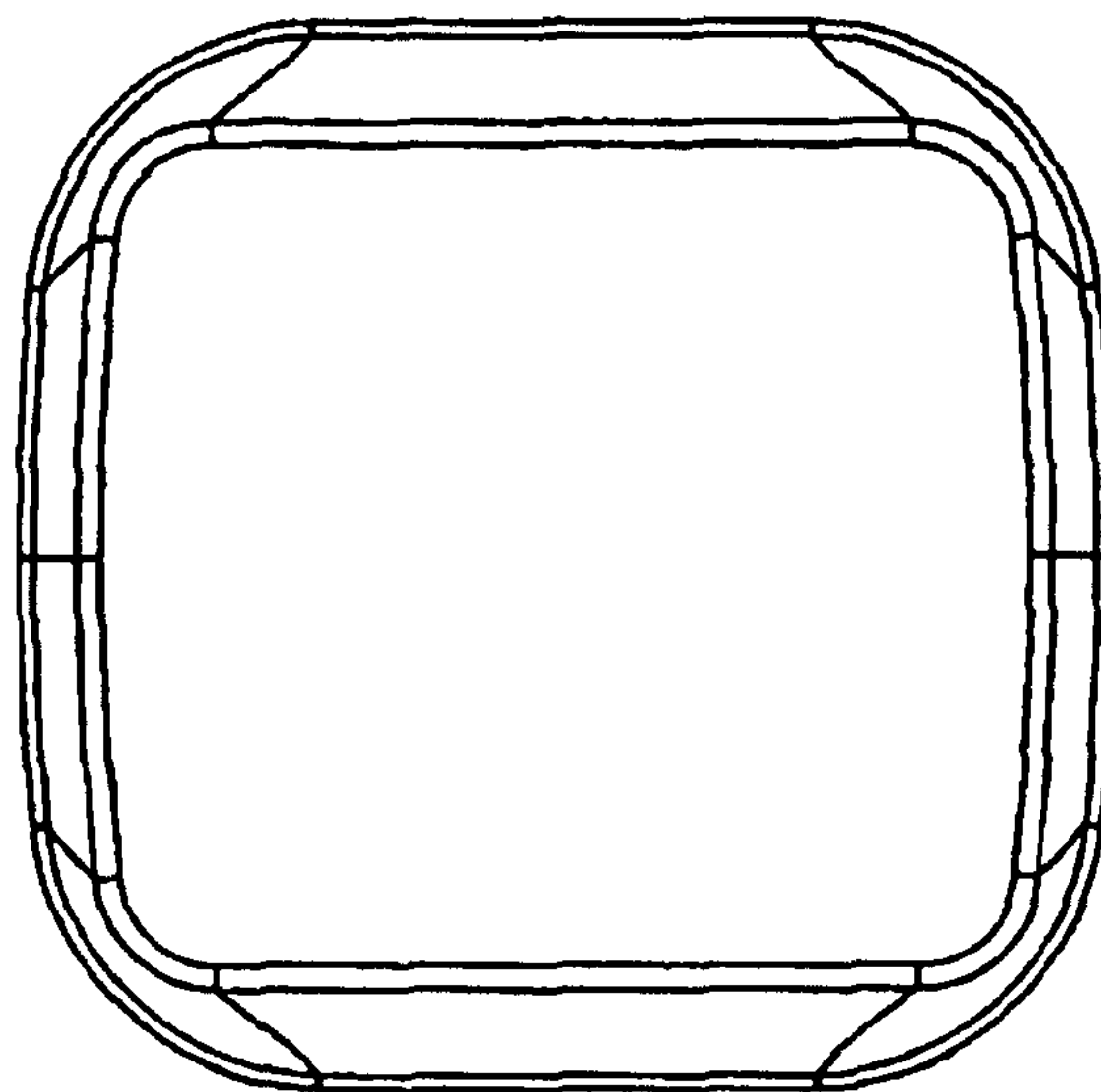


FIG. 6

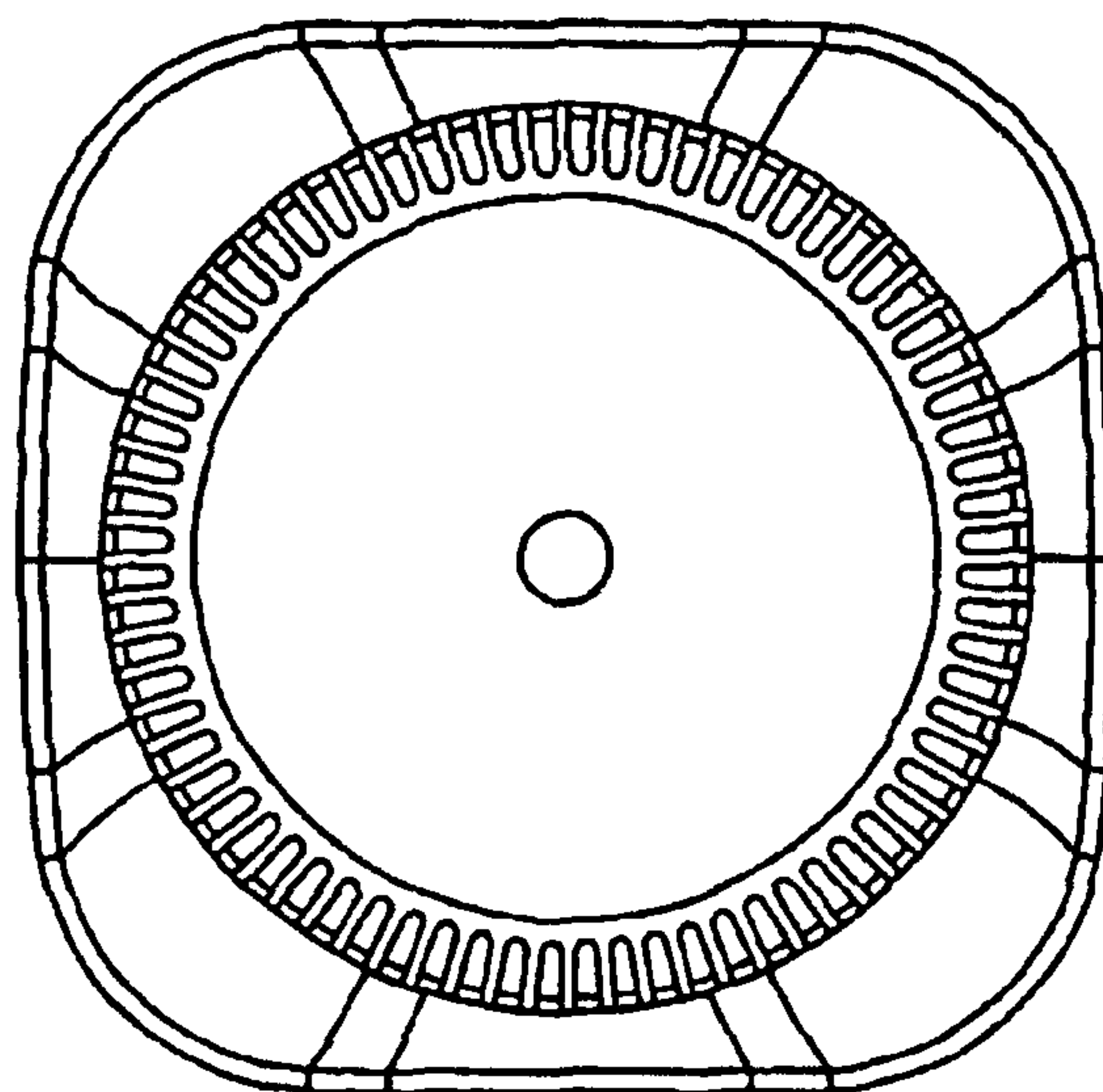


FIG. 7

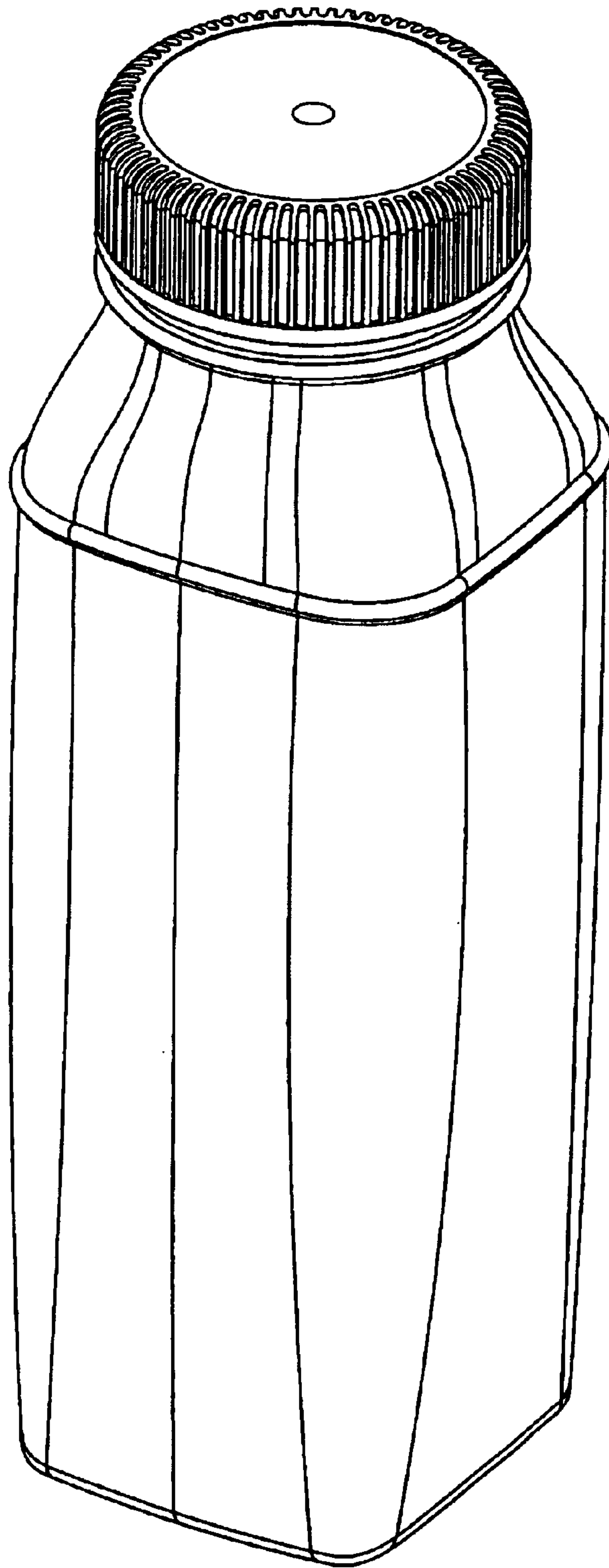


FIG. 8

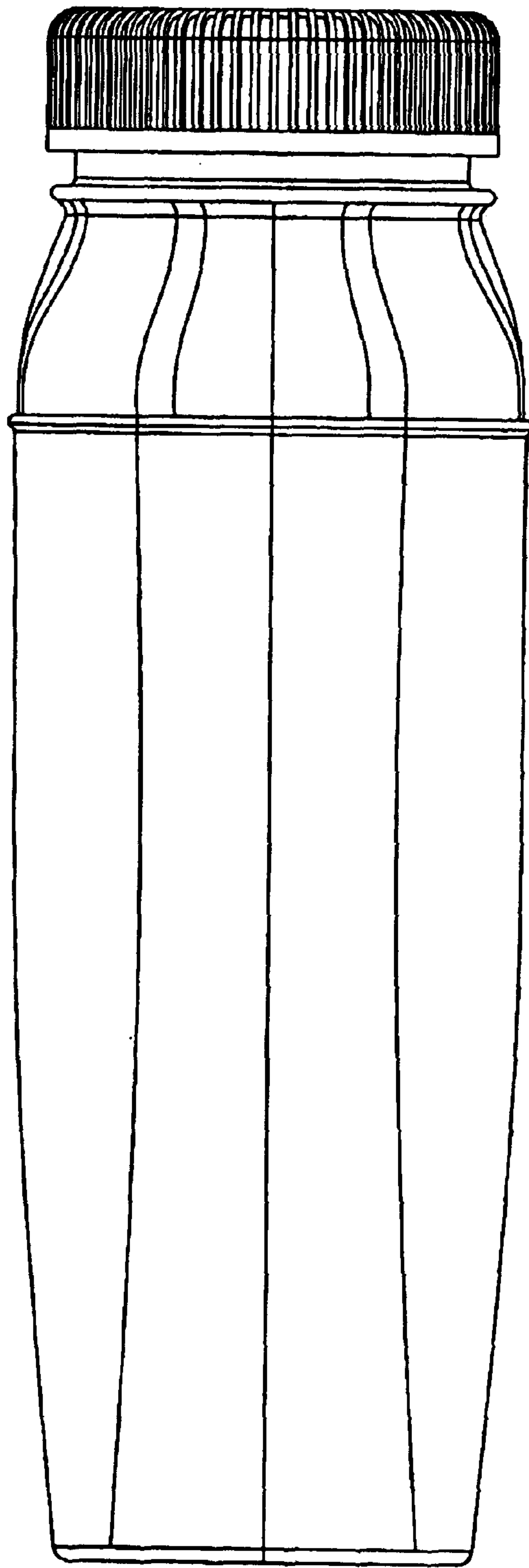


FIG. 9

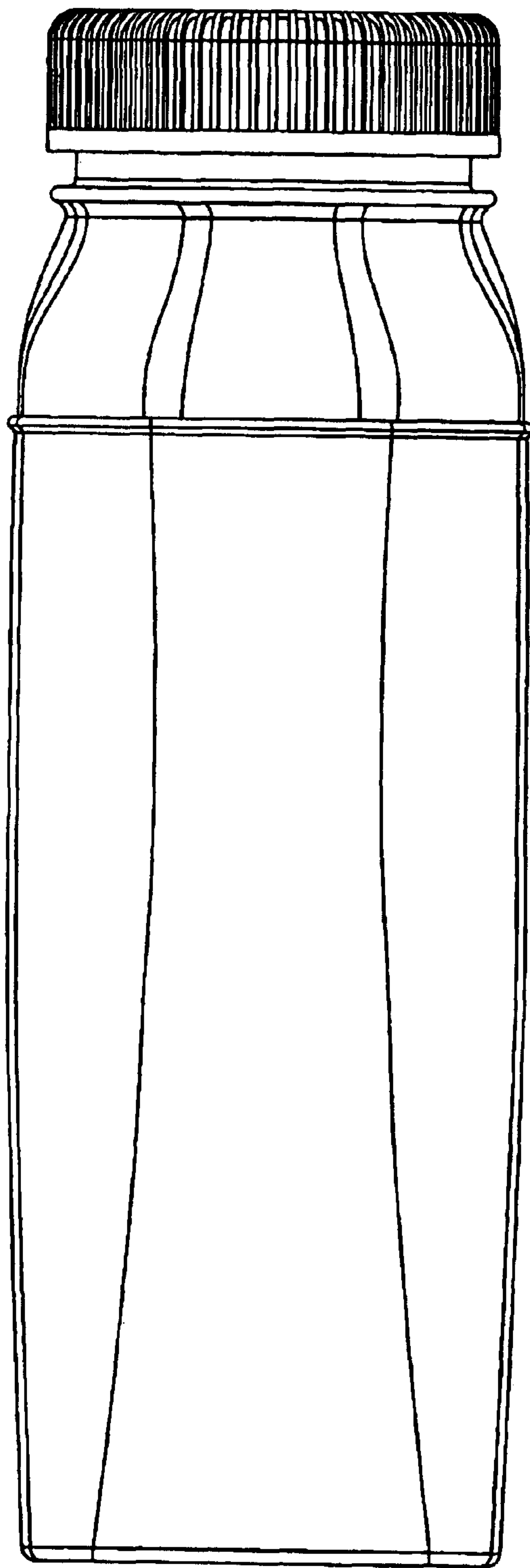


FIG. 10

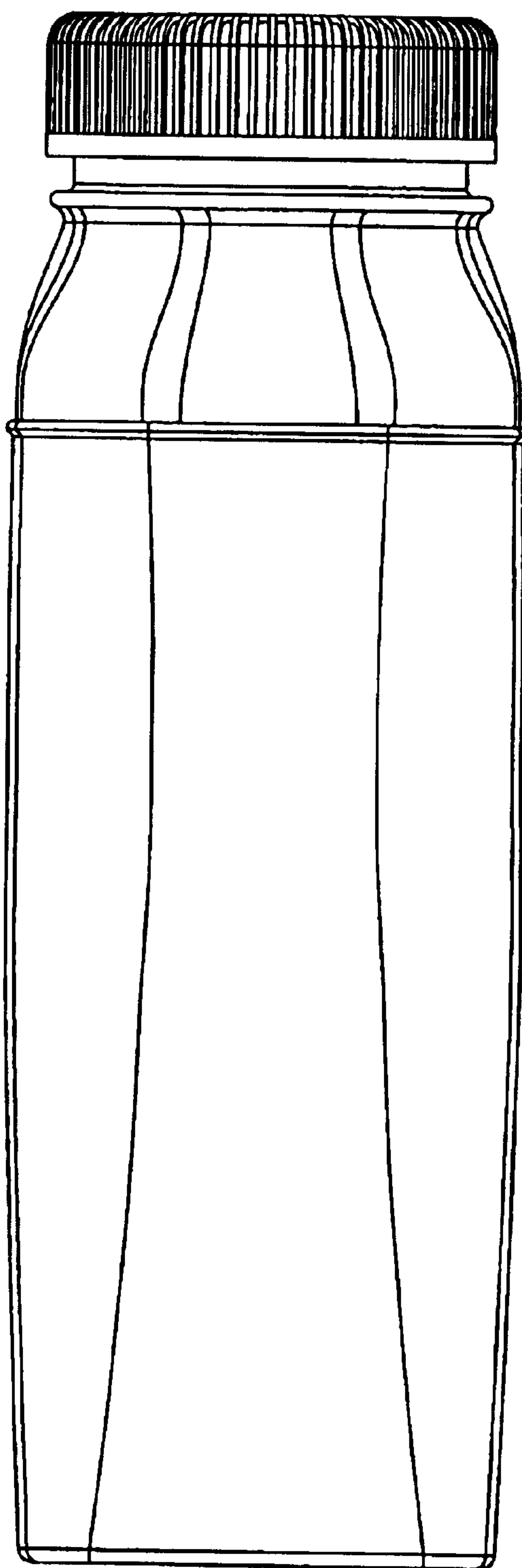


FIG. 11

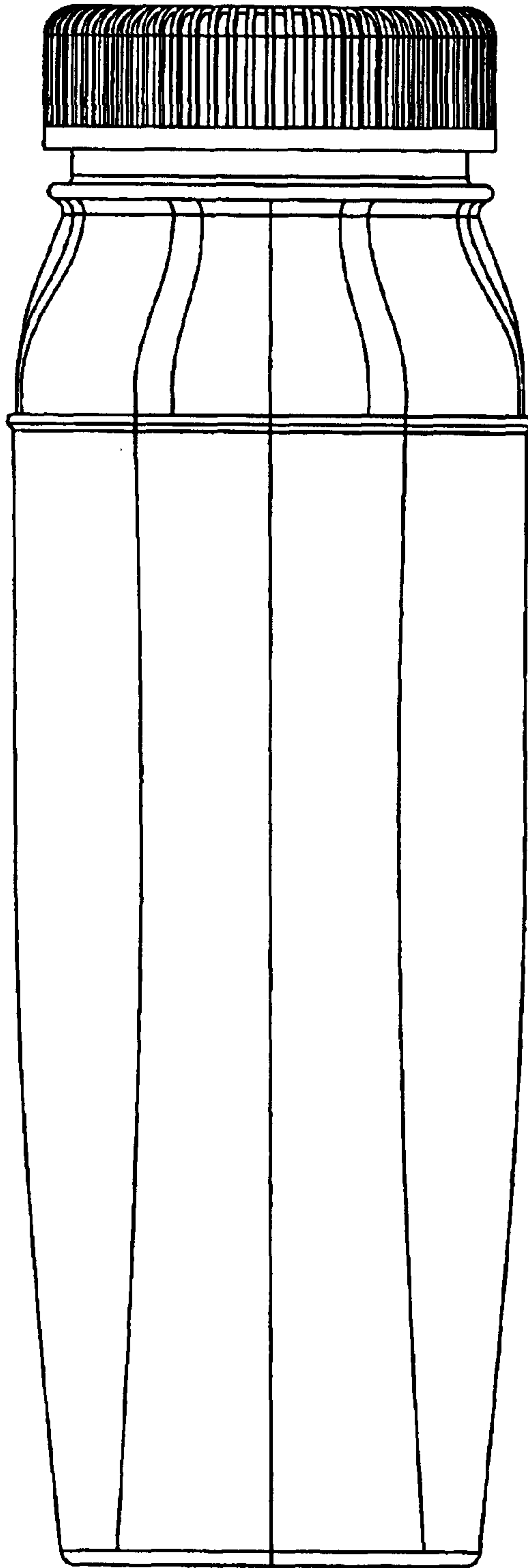


FIG. 12

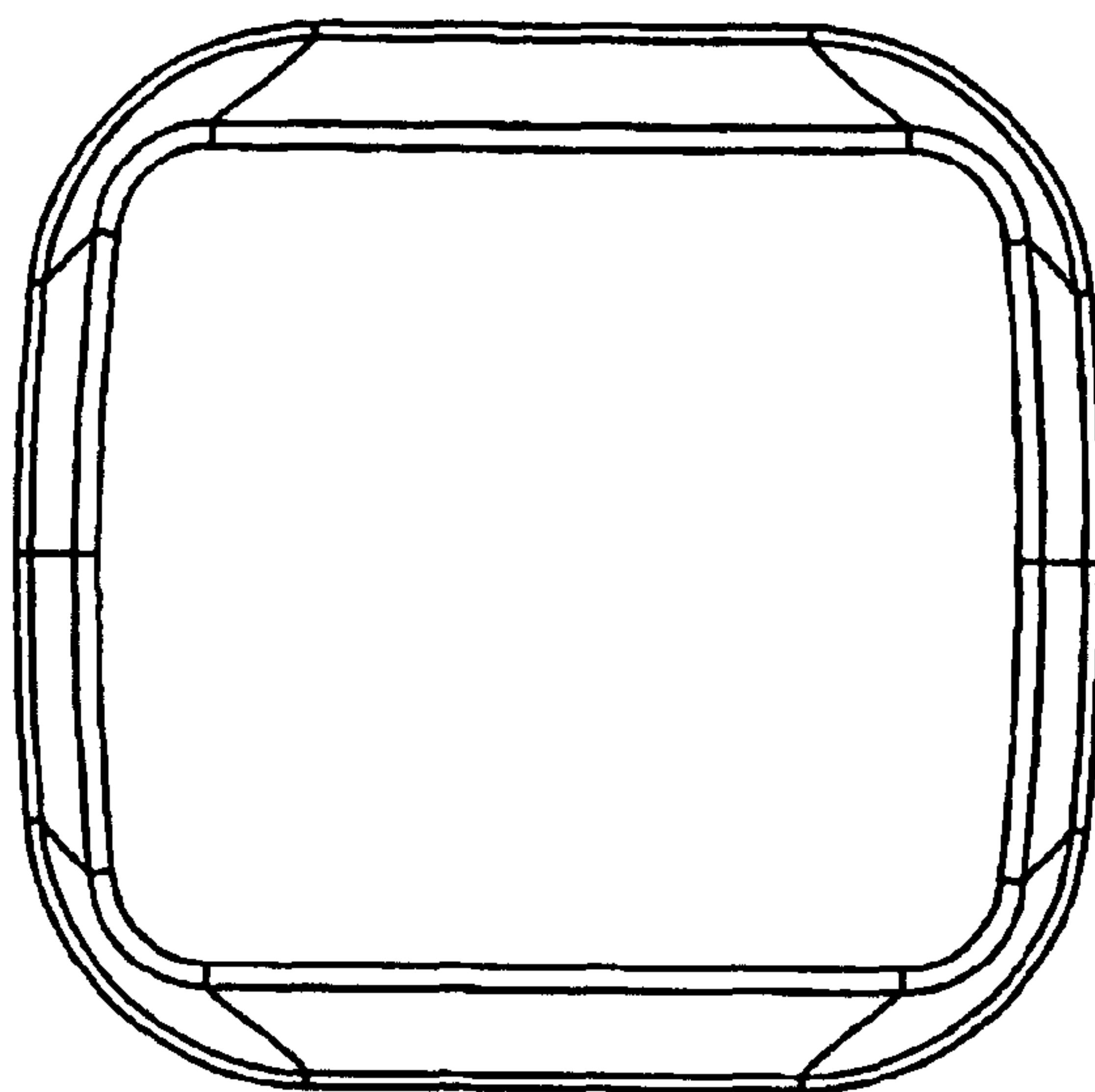


FIG. 13

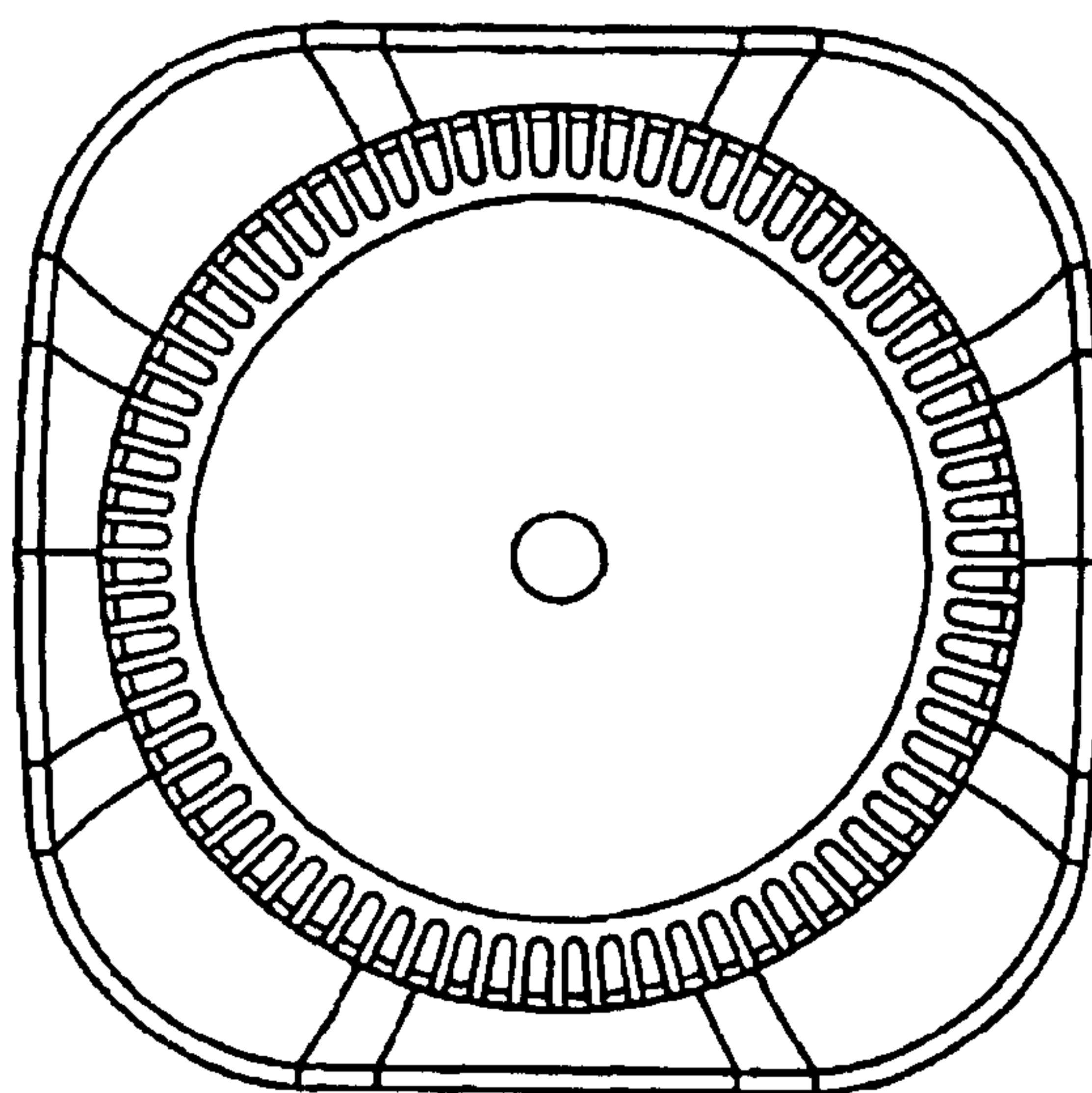


FIG. 14

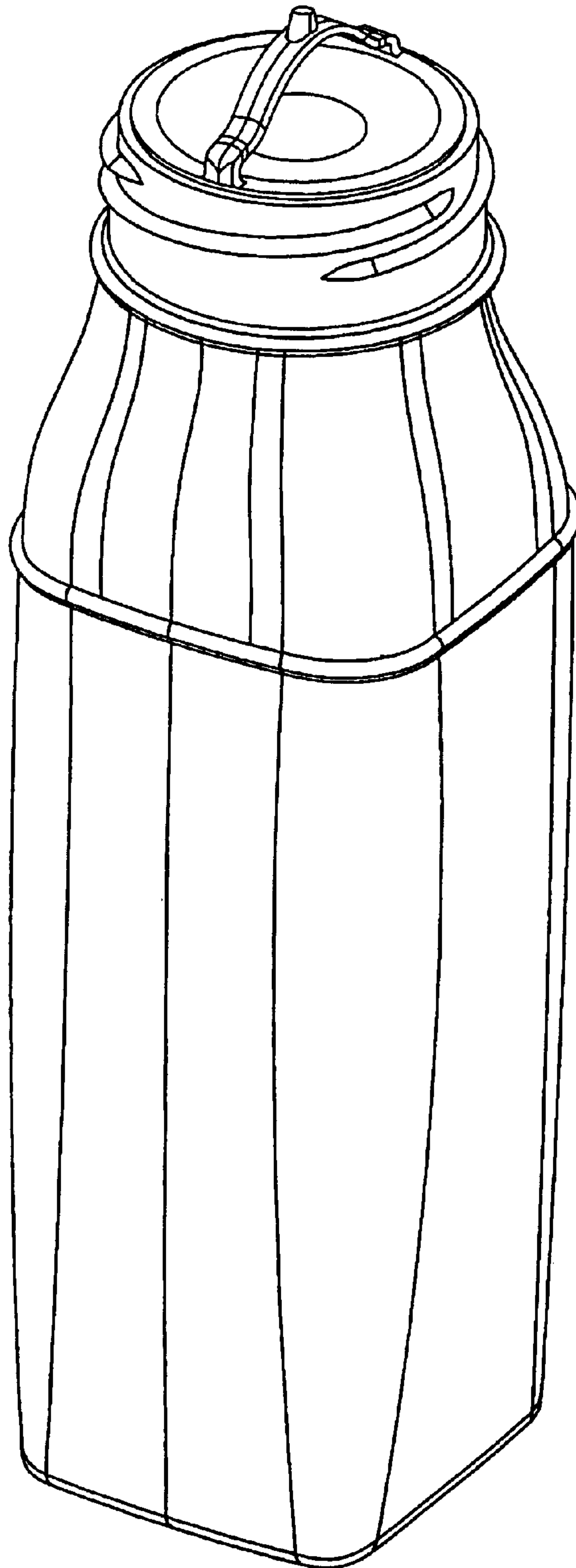


FIG. 15

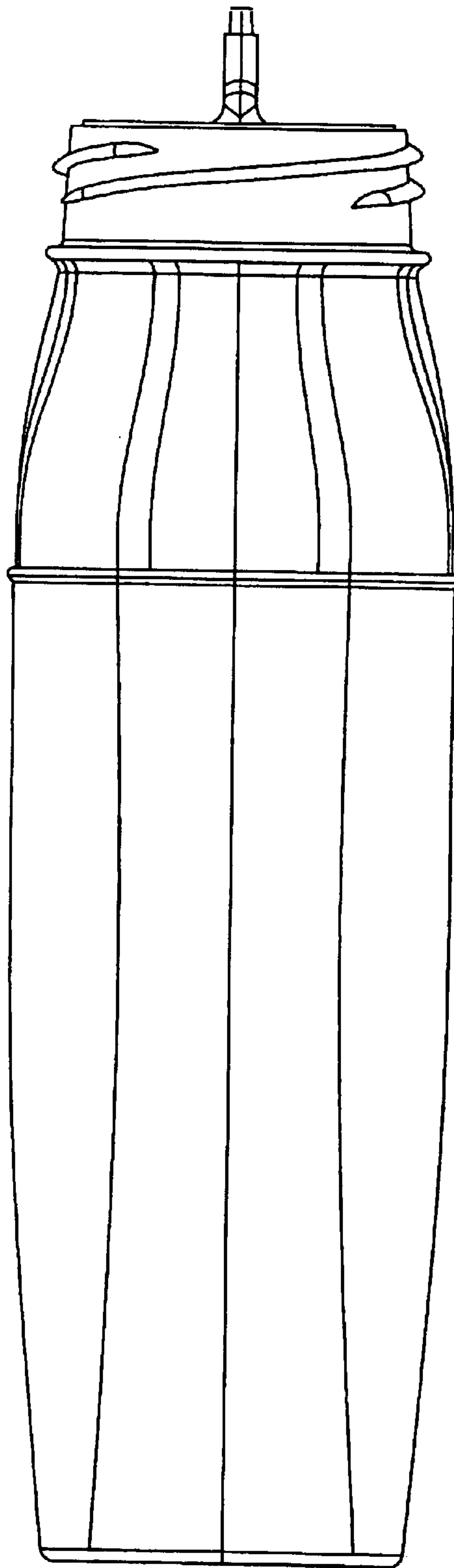


FIG. 16

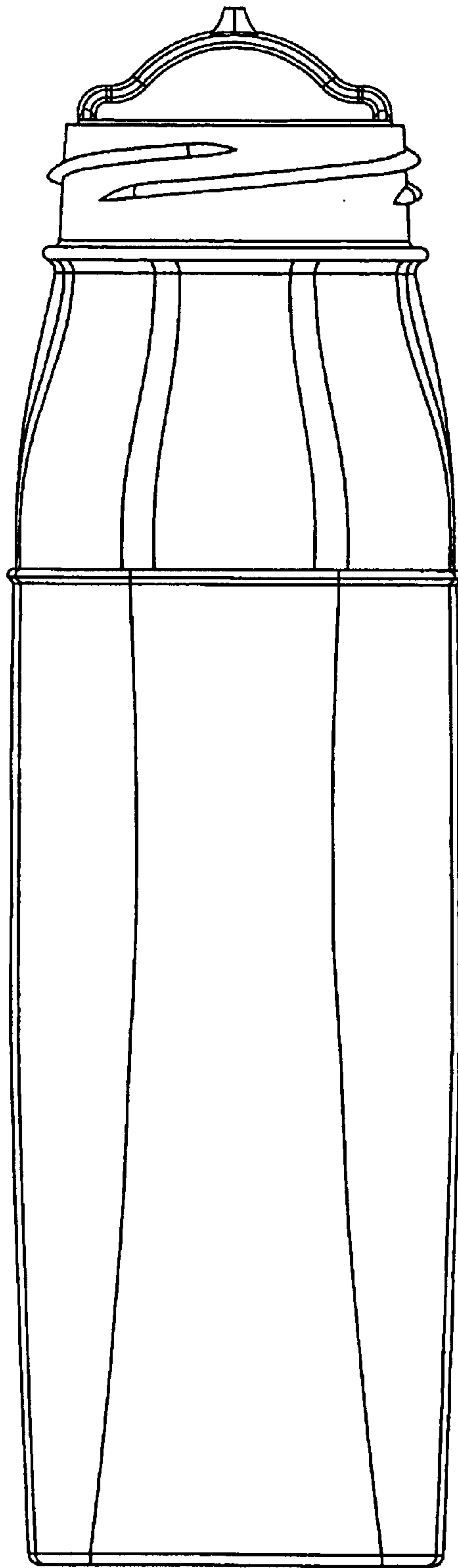


FIG. 17

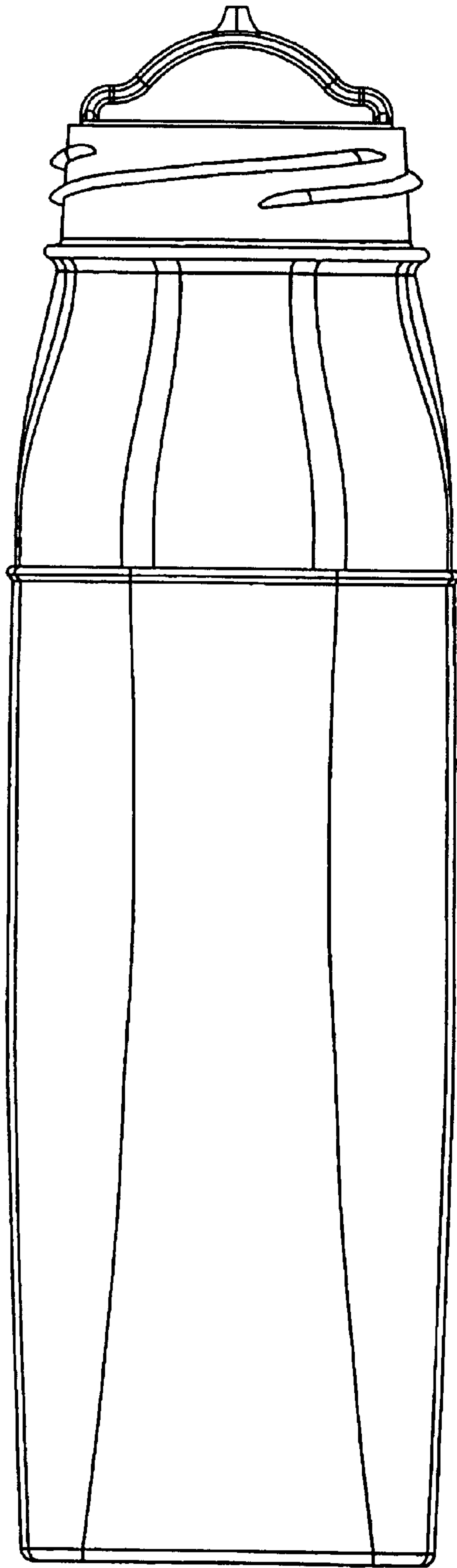


FIG. 18

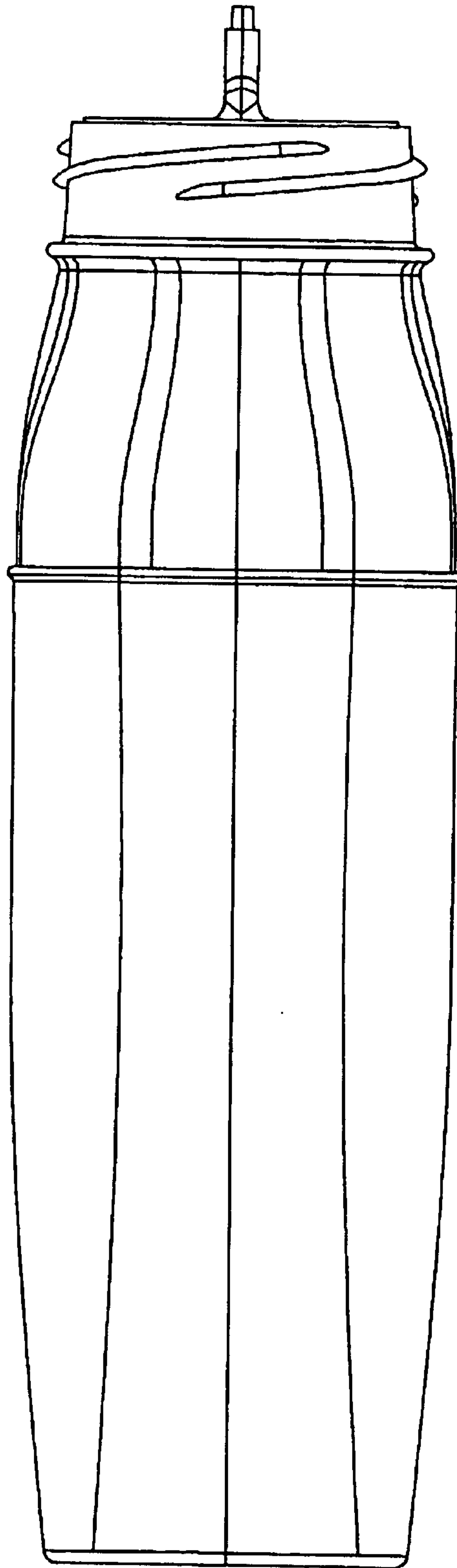


FIG. 19

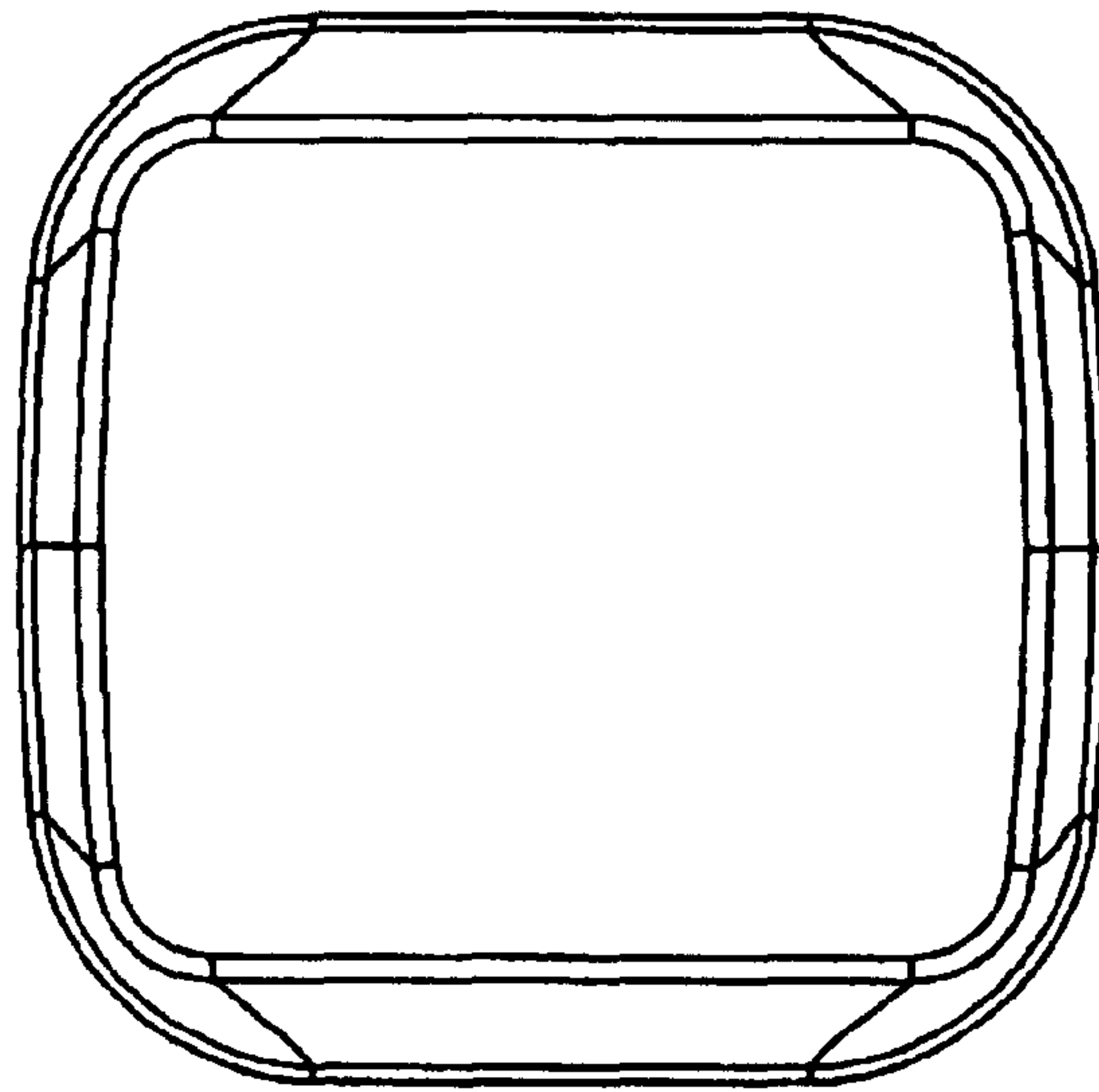


FIG. 20

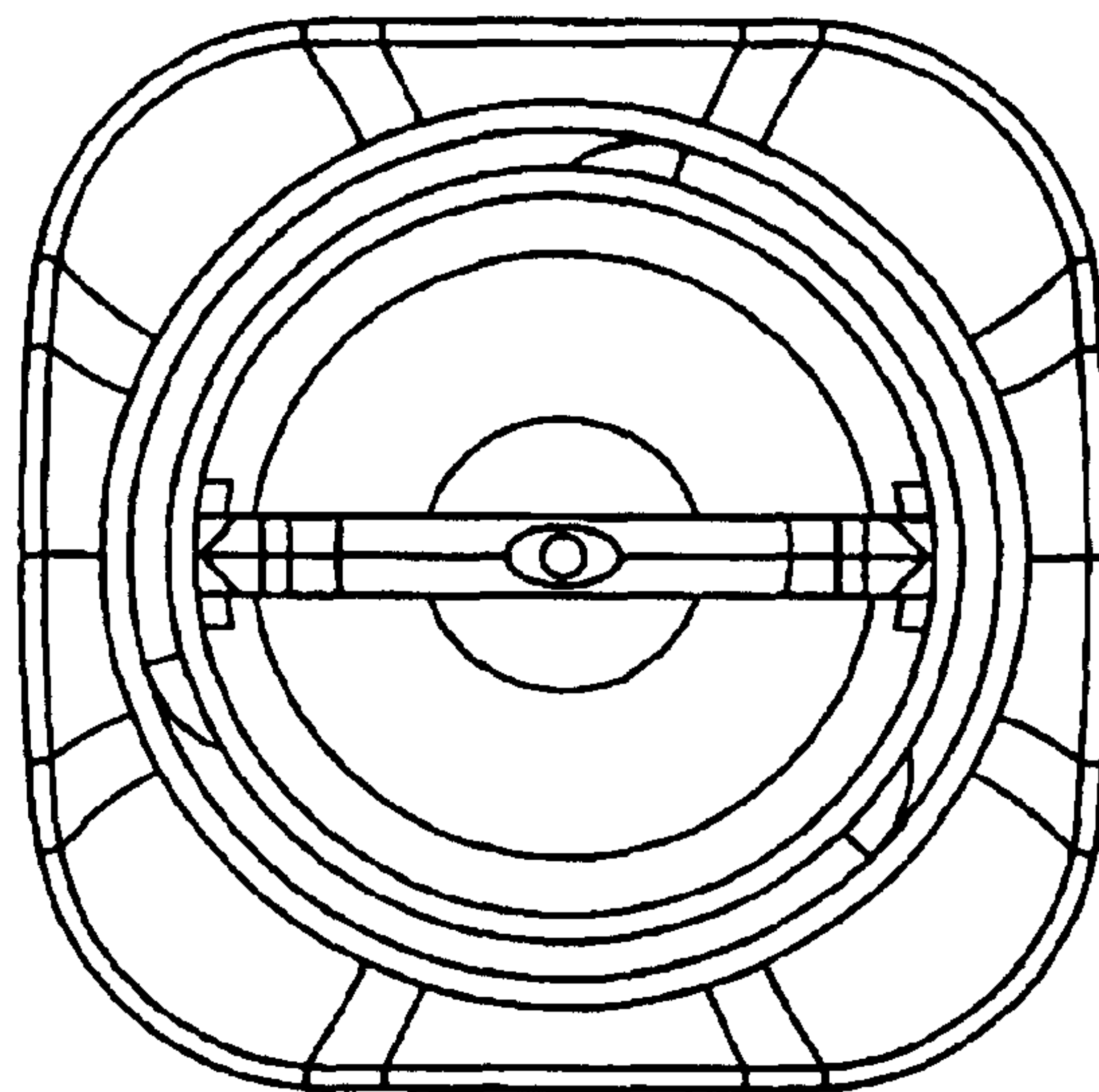


FIG. 21

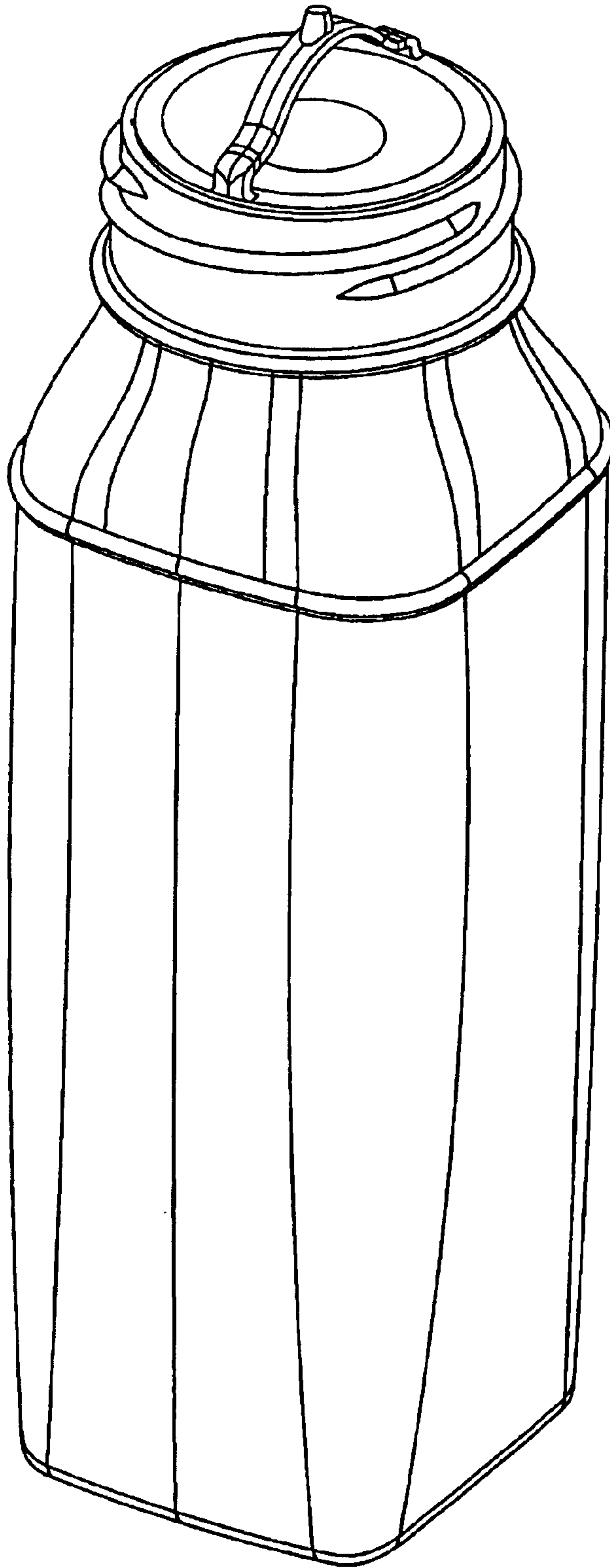


FIG. 22

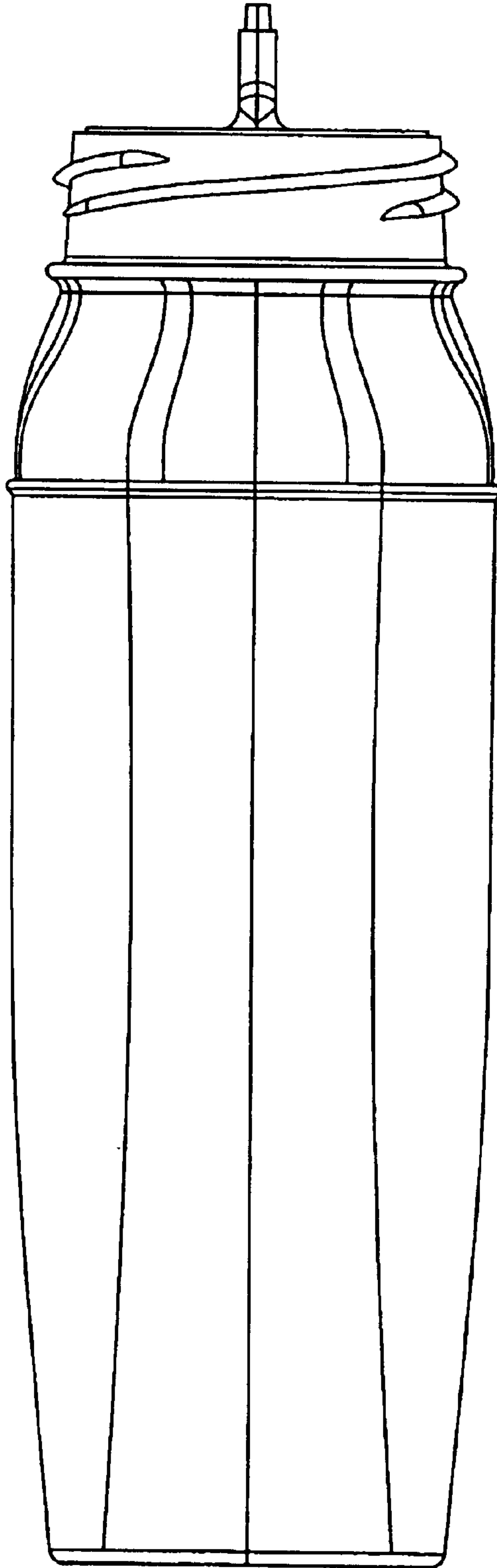


FIG. 23

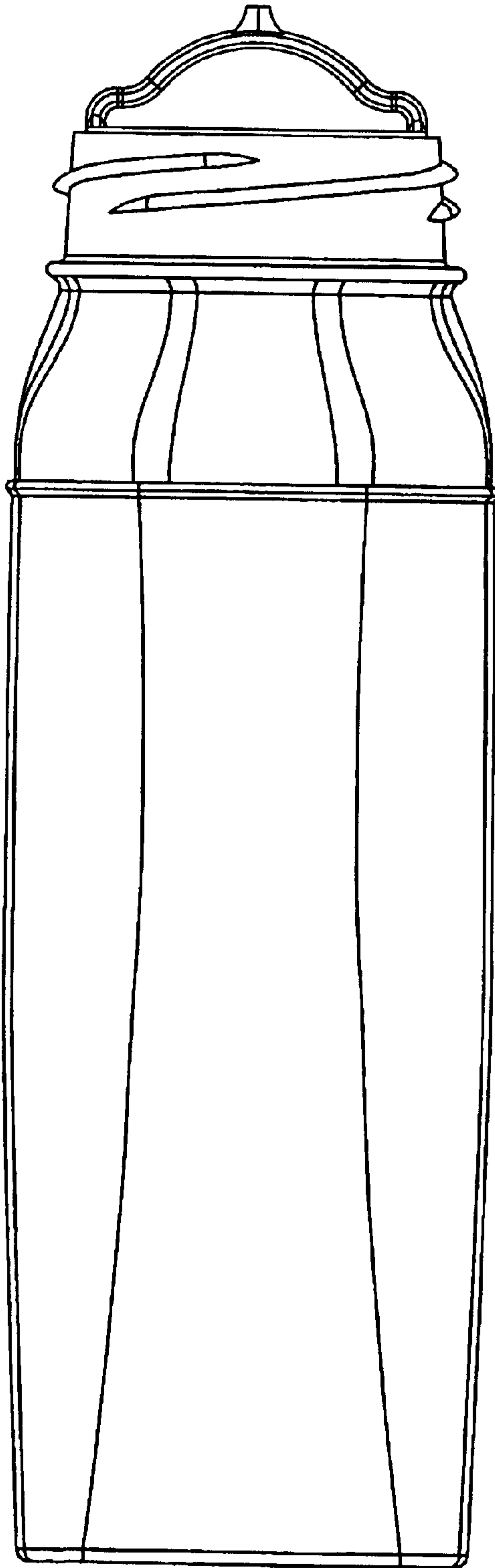


FIG. 24

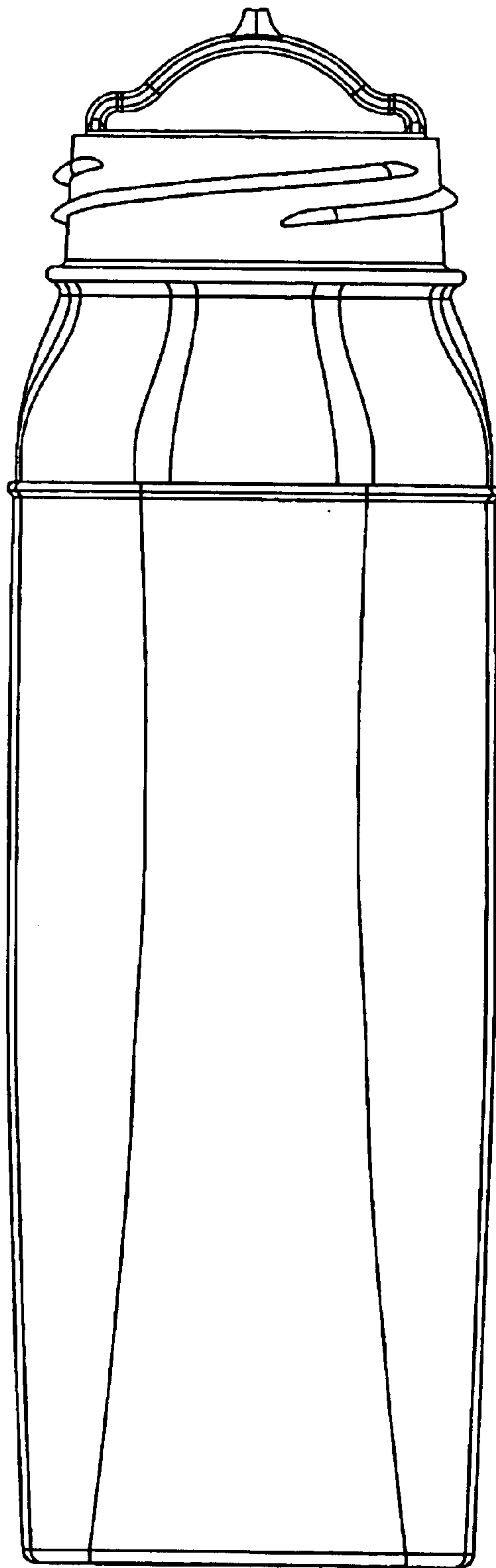


FIG. 25

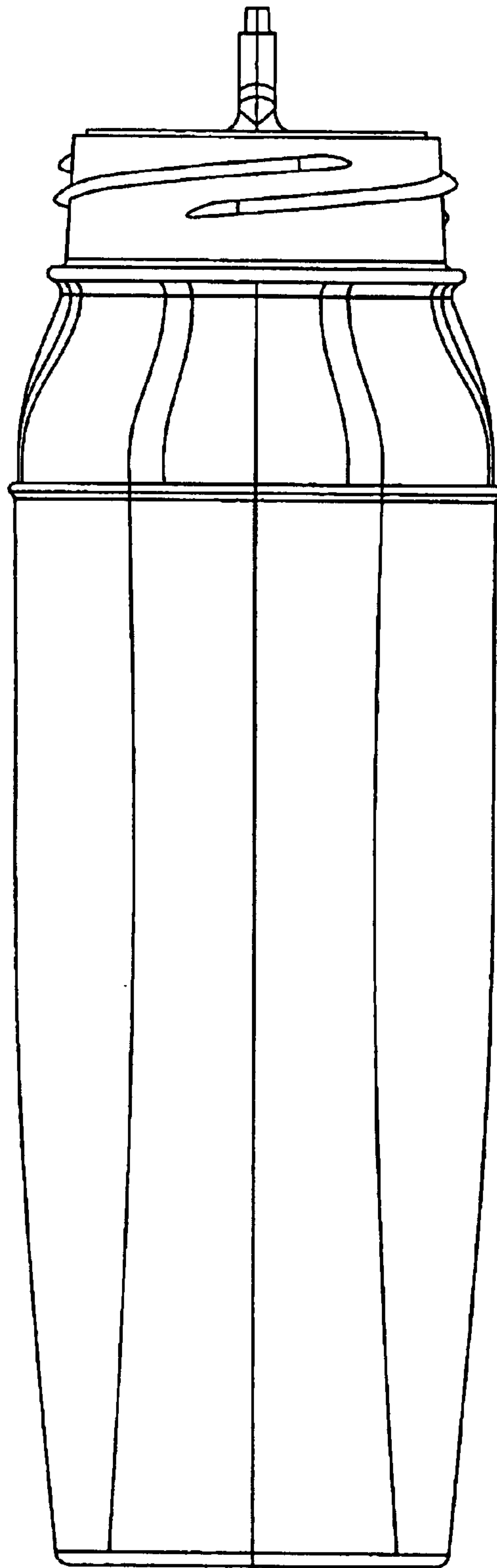


FIG. 26

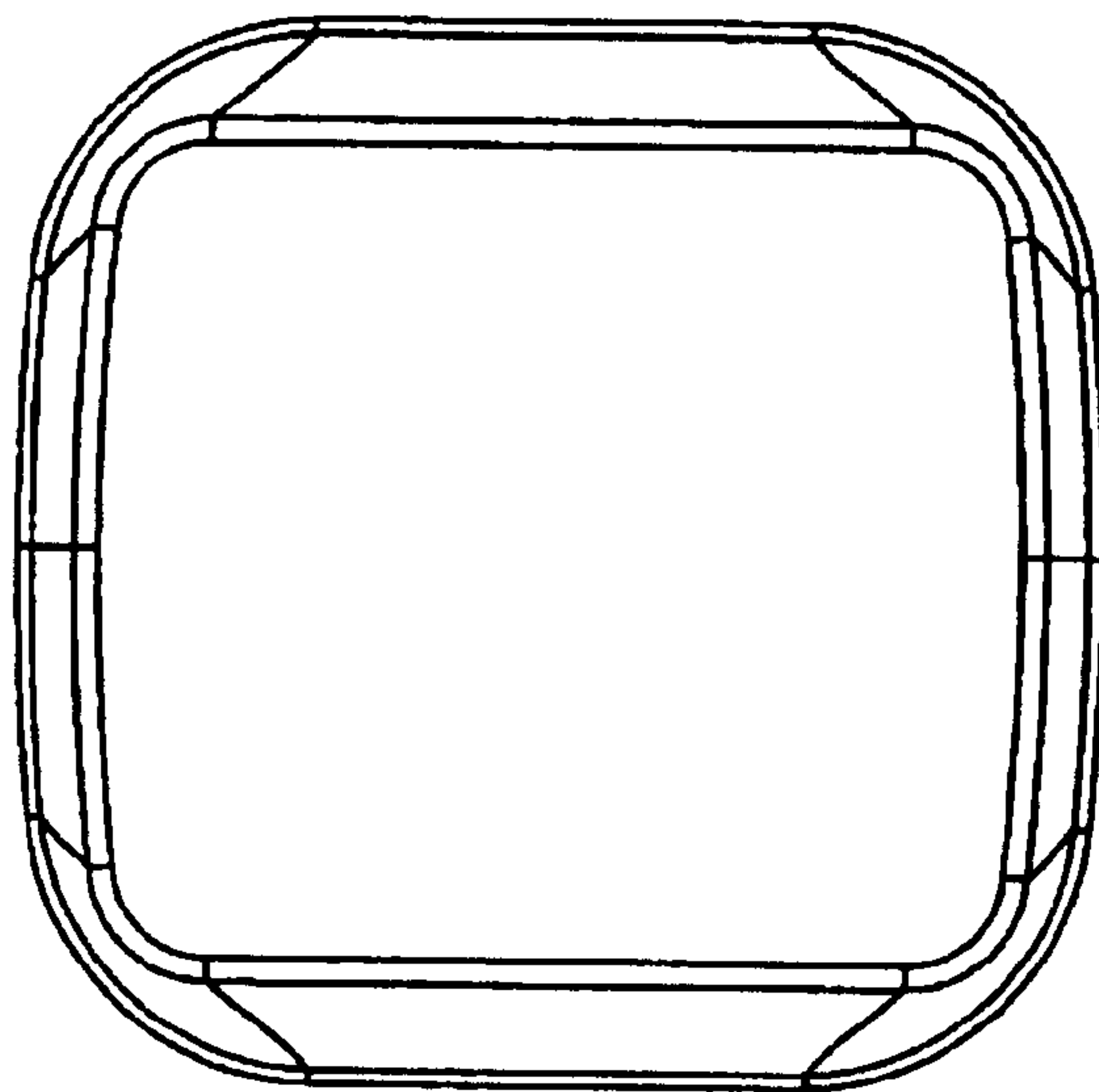


FIG. 27

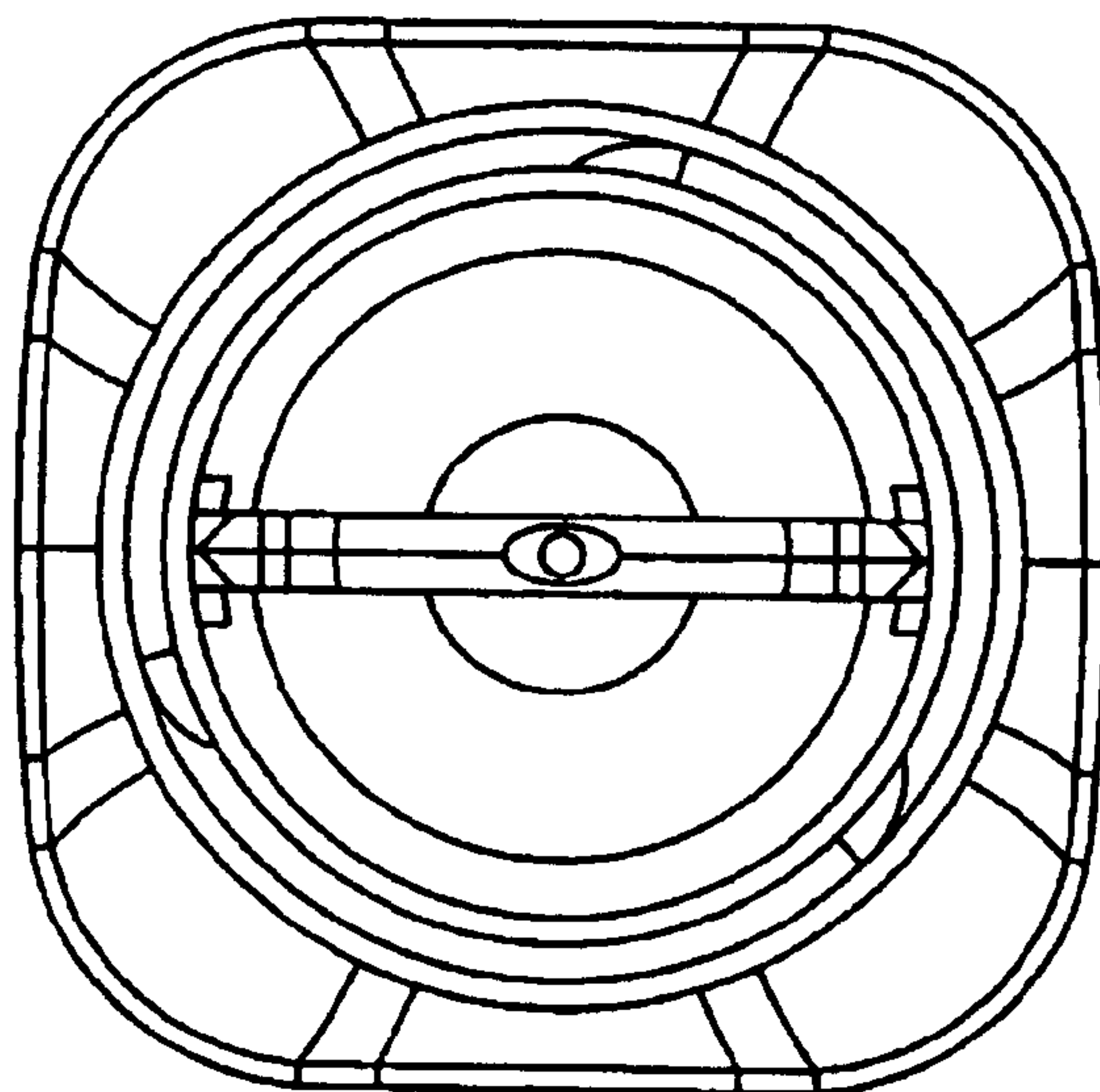


FIG. 28