



US00D537722S

(12) **United States Design Patent**
Jaichandra et al.

(10) **Patent No.: US D537,722 S**
(45) **Date of Patent: ** Mar. 6, 2007**

(54) **APPLICATOR REFILL**

D511,090 S * 11/2005 Devine D9/417

(75) Inventors: **Doraiswami Jaichandra**, Racine, WI (US); **Steven A. Zach**, Racine, WI (US)

FOREIGN PATENT DOCUMENTS

(73) Assignee: **S.C. Johnson & Son, Inc.**, Racine, WI (US)

DE	956 298	1/1957
DE	196 18 179 A1	11/1997
EP	457 452 A2	11/1991
EP	1 258 571 A2	11/2002
GB	2127101	4/1984
WO	WO 03/043906 A1	5/2003
WO	WO 2004/043825 A1	5/2004

(**) Term: **14 Years**

(21) Appl. No.: **29/254,747**

OTHER PUBLICATIONS

(22) Filed: **Feb. 28, 2006**

The drawings from U.S. Appl. No. 29/233,723, filed Jul. 8, 2005, by Gerard M. O'Brien.
The drawings from U.S. Appl. No. 29/233,719, filed Jul. 8, 2005, by Gerard M. O'Brien.

(51) **LOC (8) Cl.** **09-01**

(52) **U.S. Cl.** **D9/517; D9/549; D9/552**

(58) **Field of Classification Search** D9/682, D9/686-694, 718, 723-724, 905, 516-517, D9/529-530, 537-540, 548-549, 551-552, D9/556-558; D1/102-103, 105, 130, 199; 215/12.1-12.2, 382-384; 220/4.27, 23.4, 220/23.83, 561, 761, 766, 770

See application file for complete search history.

* cited by examiner

Primary Examiner—Carol Rademaker

(56) **References Cited**

U.S. PATENT DOCUMENTS

D88,737 S	*	12/1932	McCormick	D9/564
D121,604 S	*	7/1940	Miklos	D9/505
D203,417 S	*	1/1966	Linn	D9/536
D292,372 S	*	10/1987	Sykes	D3/203.2
D328,028 S	*	7/1992	Driscoll	D9/548
D335,450 S	*	5/1993	Pezzoli et al.	D9/500
D357,584 S	*	4/1995	Swingler	D3/300
D366,827 S	*	2/1996	Rothman	D9/730
D375,679 S	*	11/1996	Russell	D9/414
5,709,306 A	*	1/1998	Hofmann	206/536
D435,441 S	*	12/2000	Yoon	D1/127
D437,219 S	*	2/2001	Gallart et al.	D9/428
6,221,407 B1	*	4/2001	Gallart et al.	426/91
D450,591 S	*	11/2001	Escola Gallart et al.	D9/504
D477,216 S	*	7/2003	Gronwall	D9/727
D477,231 S	*	7/2003	Muller	D9/545
D477,529 S	*	7/2003	Chan	D9/668
D493,369 S	*	7/2004	Murphy	D9/529

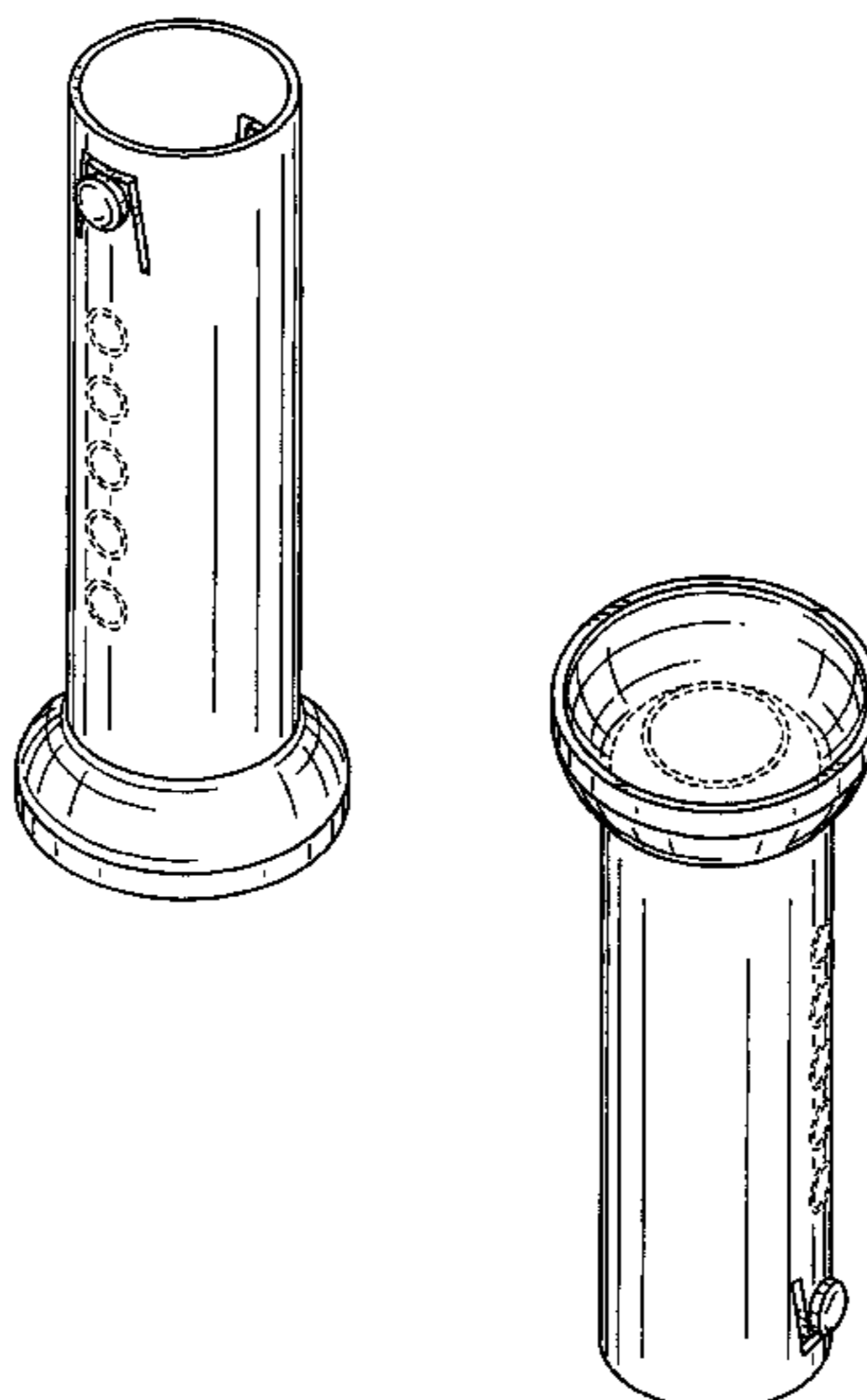
(57) **CLAIM**

The ornamental design for an applicator refill, as shown and described.

DESCRIPTION

The nature of this product is an applicator refill used in an applicator to apply cleaning and/or disinfecting and/or fragancing adhesive gel to the inside surface of a toilet bowl. FIG. 1 is a top, front, right side perspective view of an applicator refill embodying our new design; FIG. 2 is a bottom, front, right side elevational view thereof; FIG. 3 is a front elevational view thereof; FIG. 4 is a rear elevational view thereof; FIG. 5 is a right side elevational view thereof, the left side elevational view thereof being a mirror image thereof; FIG. 6 is a top plan view thereof; and, FIG. 7 is a bottom plan view thereof. The broken lines shown in the drawings are for illustrative purposes only and form no part of the claimed design.

1 Claim, 3 Drawing Sheets



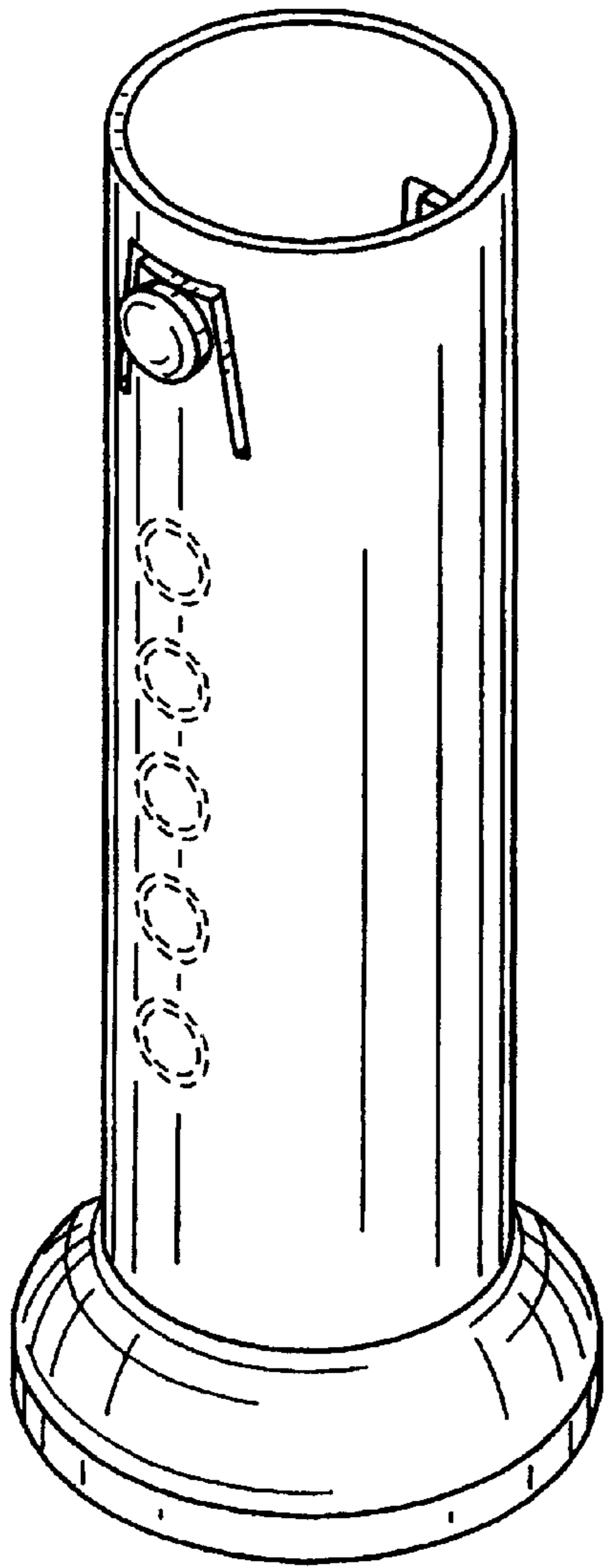


FIG. 1

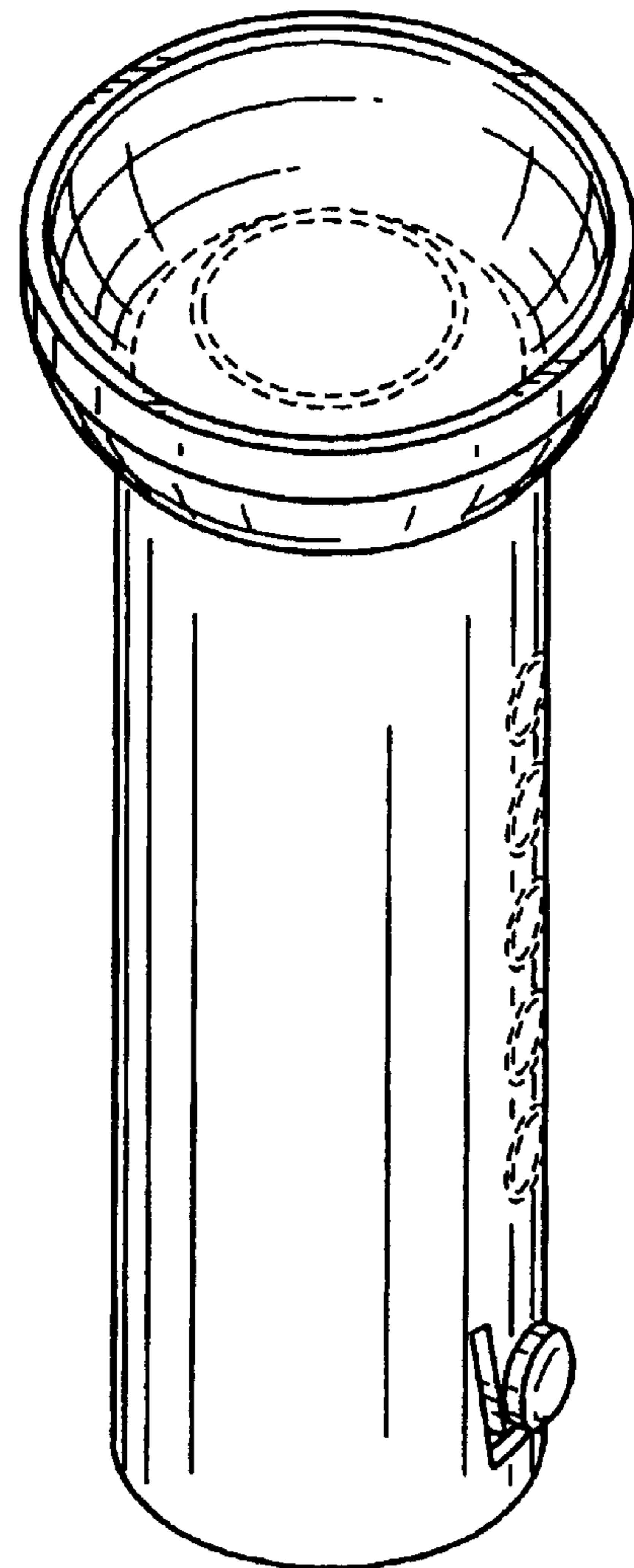


FIG. 2

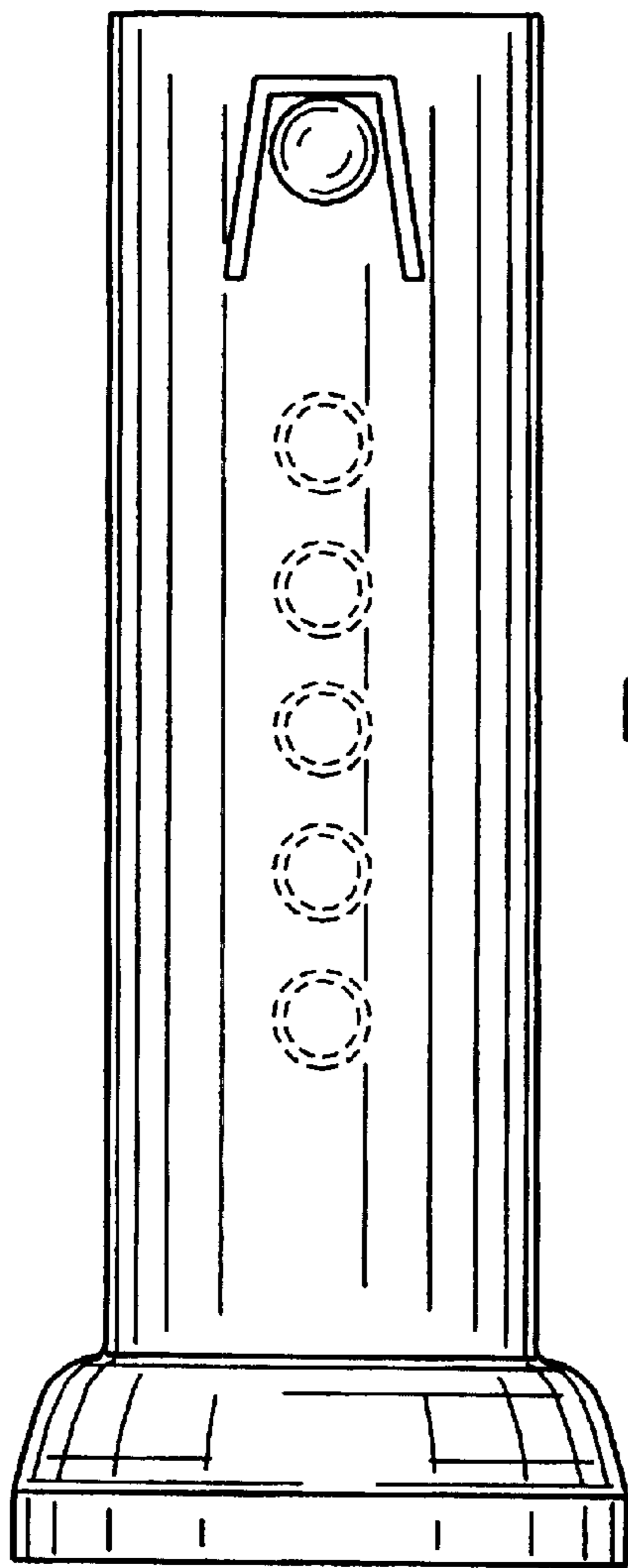


FIG. 3

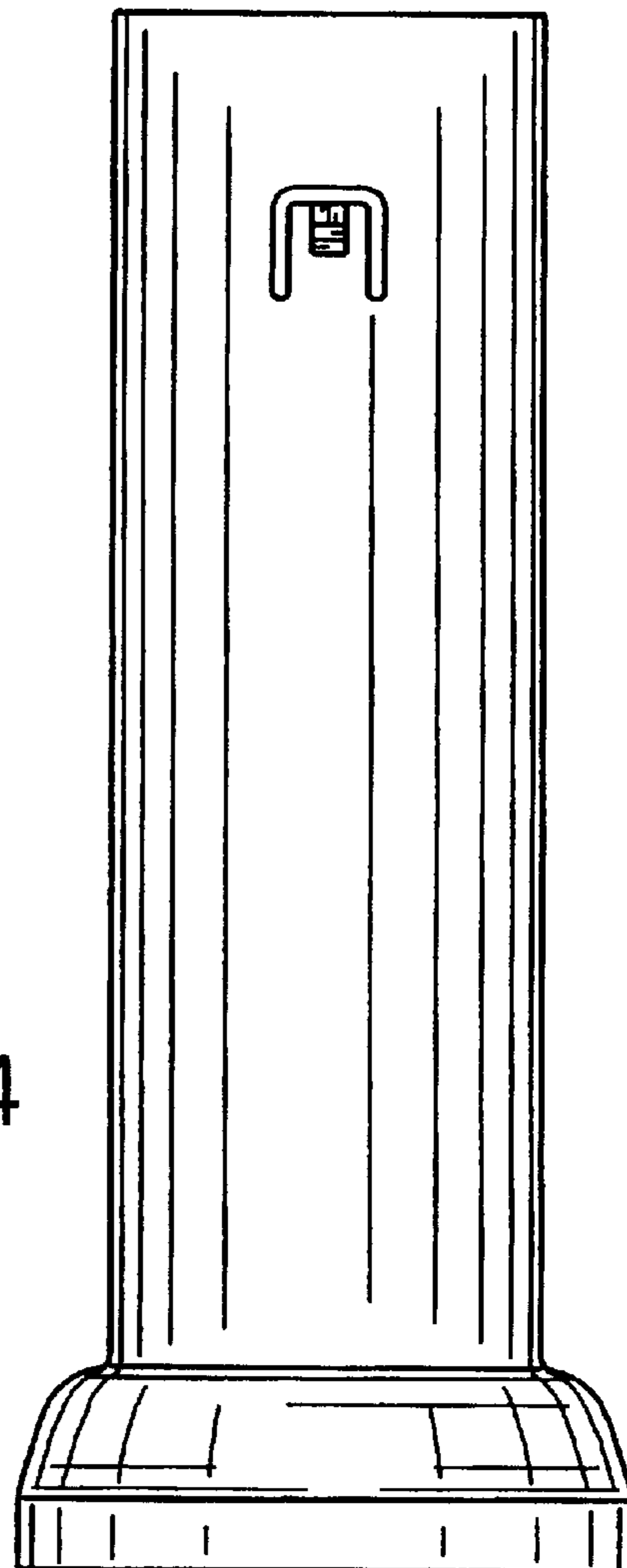


FIG. 4

FIG. 5

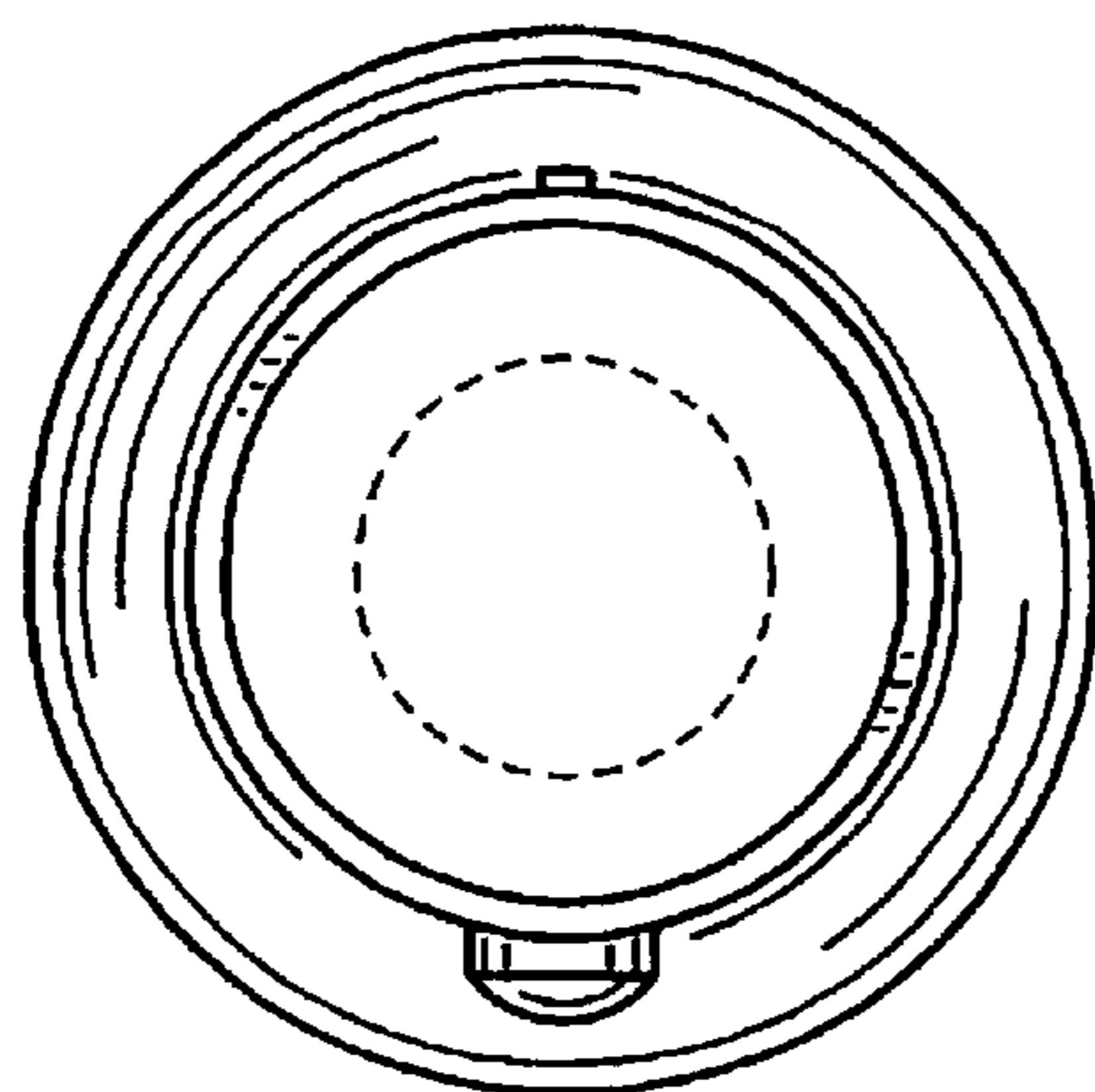
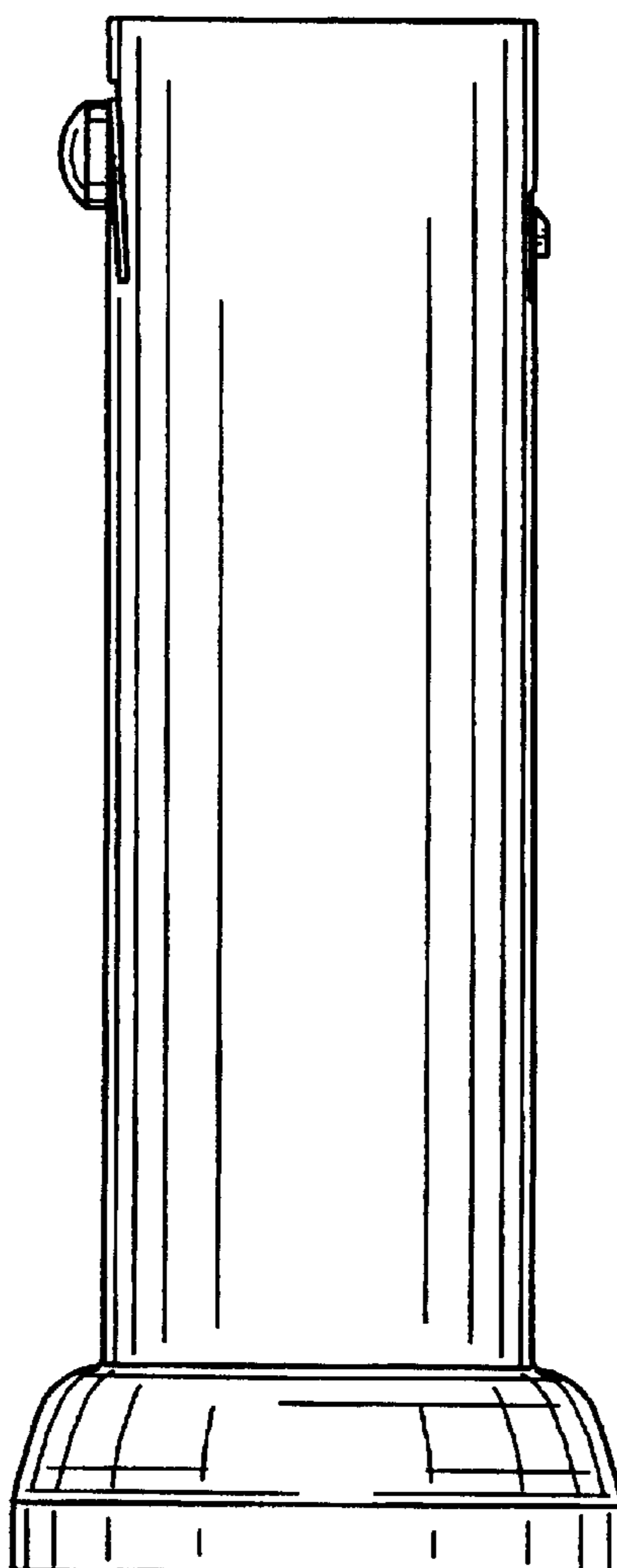


FIG. 6

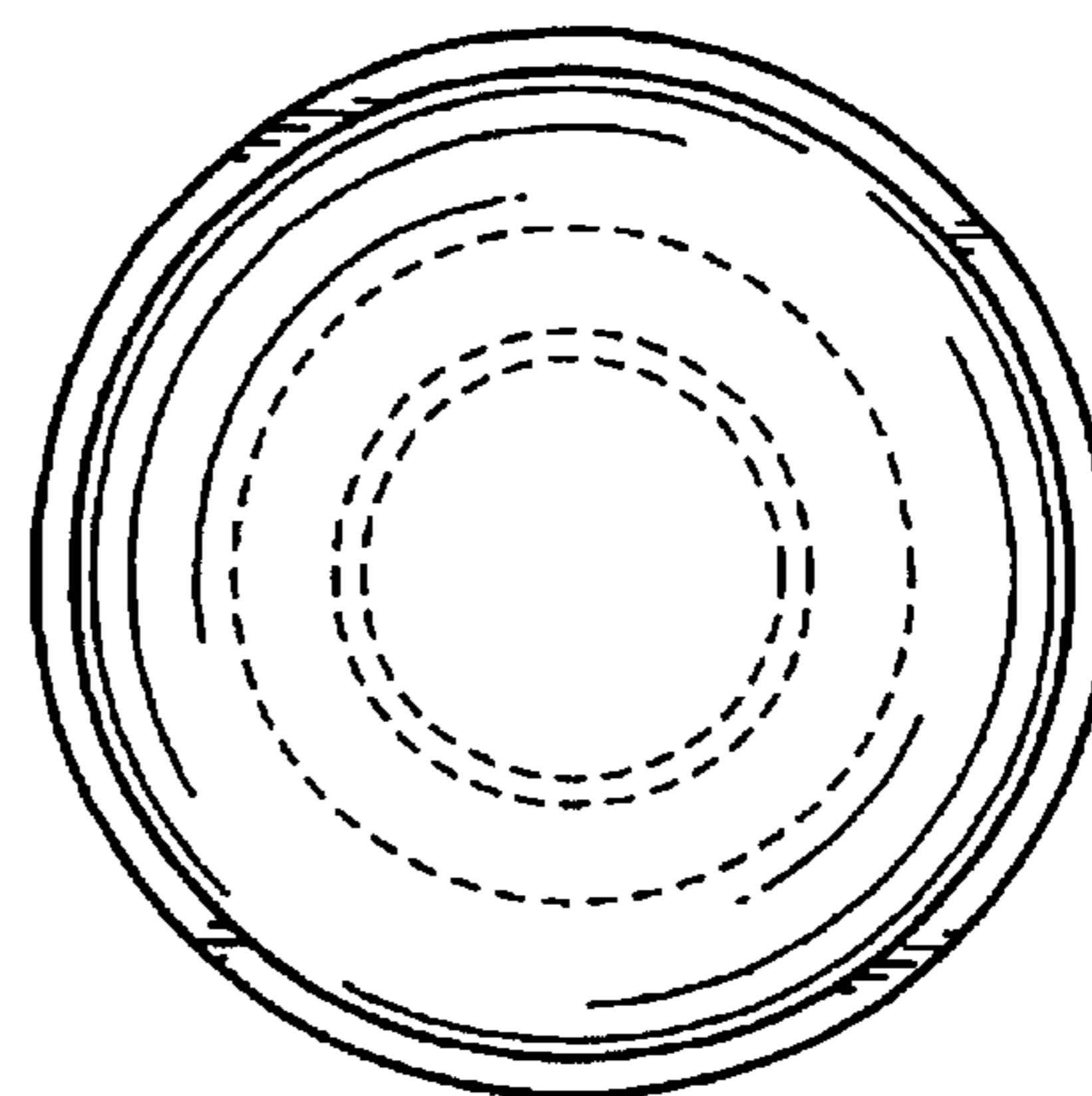


FIG. 7