



US00D537719S

(12) **United States Design Patent** (10) **Patent No.:** **US D537,719 S**
Seidita (45) **Date of Patent:** **** *Mar. 6, 2007**

(54) **CROWN-LIKE PLASTIC CLOSURE**

(75) Inventor: **Thomas M. Seidita**, Mechanicsville, VA (US)

(73) Assignee: **Crown Packaging Technology, Inc.**, Alsip, IL (US)

(*) Notice: This patent is subject to a terminal disclaimer.

(**) Term: **14 Years**

(21) Appl. No.: **29/209,603**

(22) Filed: **Jul. 19, 2004**

D417,397 S	*	12/1999	Forecast et al.	D9/453
6,006,933 A		12/1999	Henning et al.		
D418,757 S		1/2000	Reidenbach		
D419,071 S		1/2000	Peters et al.		
D420,916 S		2/2000	Ohmi et al.		
6,116,443 A		9/2000	Parrinello		
D433,275 S	*	11/2000	Betras	D7/392.1
D433,820 S		11/2000	Haarer et al.		
D448,297 S		9/2001	Sindermann		
D451,393 S	*	12/2001	Gerhart et al.	D9/453
D457,431 S		5/2002	Brant et al.		
D458,138 S	*	6/2002	Fuchs	D9/453
6,457,299 B1		10/2002	Schwenke et al.		
D465,731 S	*	11/2002	Brant et al.	D9/453
6,502,369 B1		1/2003	Andison et al.		
D470,413 S		2/2003	Seidita		

(Continued)

(51) **LOC (8) Cl.** **09-07**

(52) **U.S. Cl.** **D9/453**

(58) **Field of Classification Search** D9/429,
D9/435, 442, 444, 447, 448, 450, 452-454;
D8/DIG. 2; D7/392.1; D23/250; D21/390;
D19/43; D12/197; 220/288; 215/316, 328,
215/382-385, 353; 222/420

See application file for complete search history.

(56) **References Cited**

U.S. PATENT DOCUMENTS

928,872 A	7/1909	Lyon	
D48,033 S	10/1915	Kaye	
1,170,160 A	2/1916	Ingram et al.	
1,722,587 A	7/1929	McDonnell	
2,792,957 A	5/1957	Rodriguez	
D204,508 S	4/1966	Brockett	
3,281,001 A	10/1966	Stuart	
D242,773 S	12/1976	Licari et al.	
4,055,266 A	10/1977	Amabili	
4,402,415 A	9/1983	Hopely	
D280,946 S	* 10/1985	Rutyna et al. D9/452
5,090,581 A	2/1992	Rose et al.	
5,263,600 A	11/1993	Henning	
5,415,306 A	5/1995	Luch et al.	
5,715,959 A	2/1998	Pfefferkorn et al.	
5,749,201 A	5/1998	Cochrane	
5,884,790 A	3/1999	Seidita	
D415,684 S	10/1999	Reidenbach	

FOREIGN PATENT DOCUMENTS

FR	DM/052170	5/2000
FR	DM/057655	10/2001
FR	DM/058766	2/2002
FR	DM/063888	6/2003

Primary Examiner—Robert M. Spear

Assistant Examiner—Susan Bennett Hattan

(74) *Attorney, Agent, or Firm*—Knoble Yoshida & Dunleavy, LLC

(57) **CLAIM**

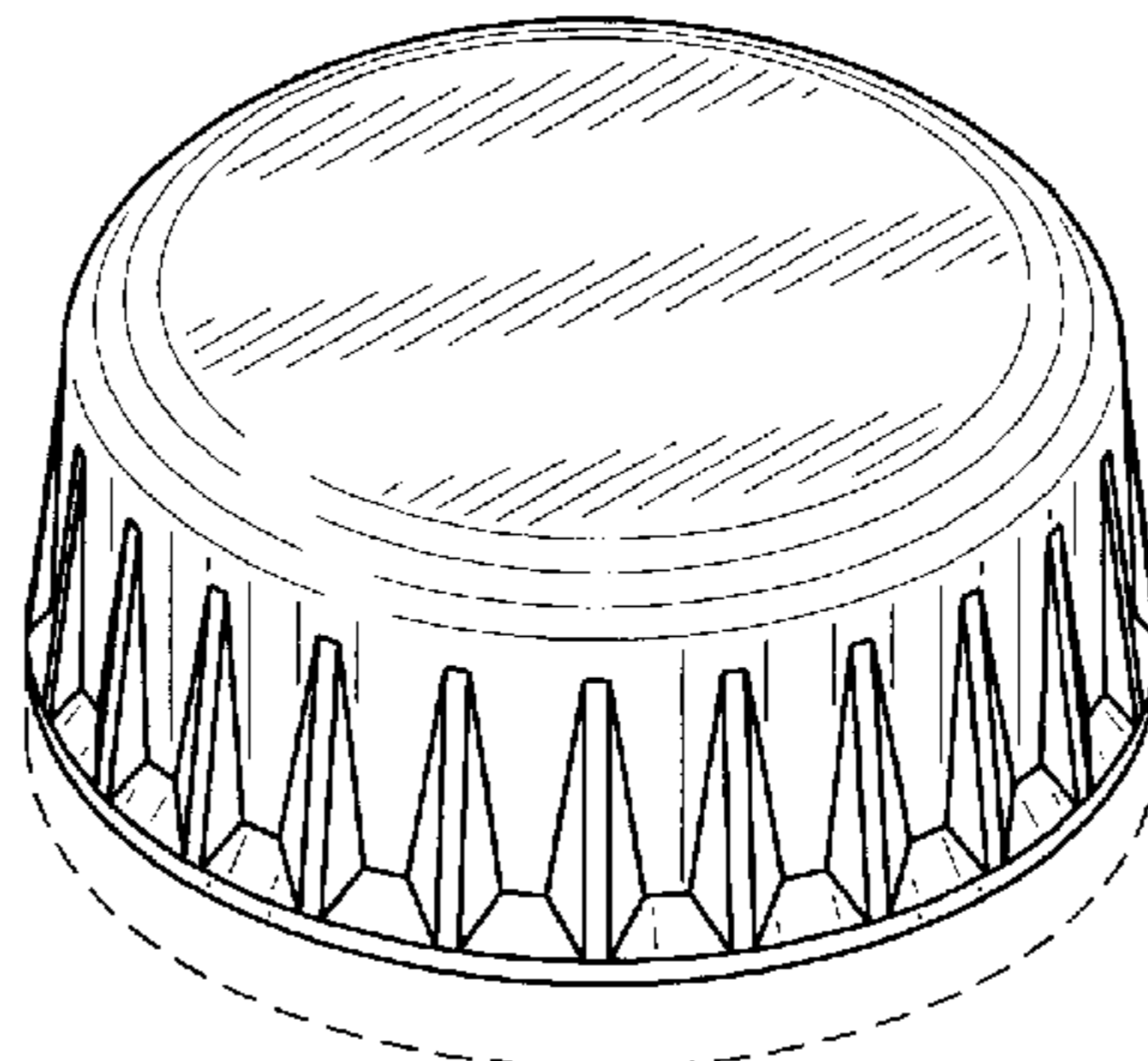
The ornamental design for a “crown-like plastic closure,” as shown and described.

DESCRIPTION

FIG. 1 is a perspective view showing my new design; FIG. 2 is a front elevational view; FIG. 3 is a rear elevational view; FIG. 4 is a top plan view; FIG. 5 is a bottom plan view; and, FIG. 6 is a cross-sectional view taken along lines 6—6 in FIG. 4.

Any broken lines in the drawings depict probable environment only and form no part of the claimed design.

1 Claim, 3 Drawing Sheets



US D537,719 S

Page 2

U.S. PATENT DOCUMENTS

D507,745 S	*	7/2005	Pitman et al.	D9/453	
D508,204 S	*	8/2005	Pitman et al.	D9/452	
D508,650 S	*	8/2005	Pitman et al.	D9/452	
D510,269 S	*	10/2005	Pitman et al.	D9/452	
D510,523 S	*	10/2005	Pitman et al.	D9/452	

* cited by examiner

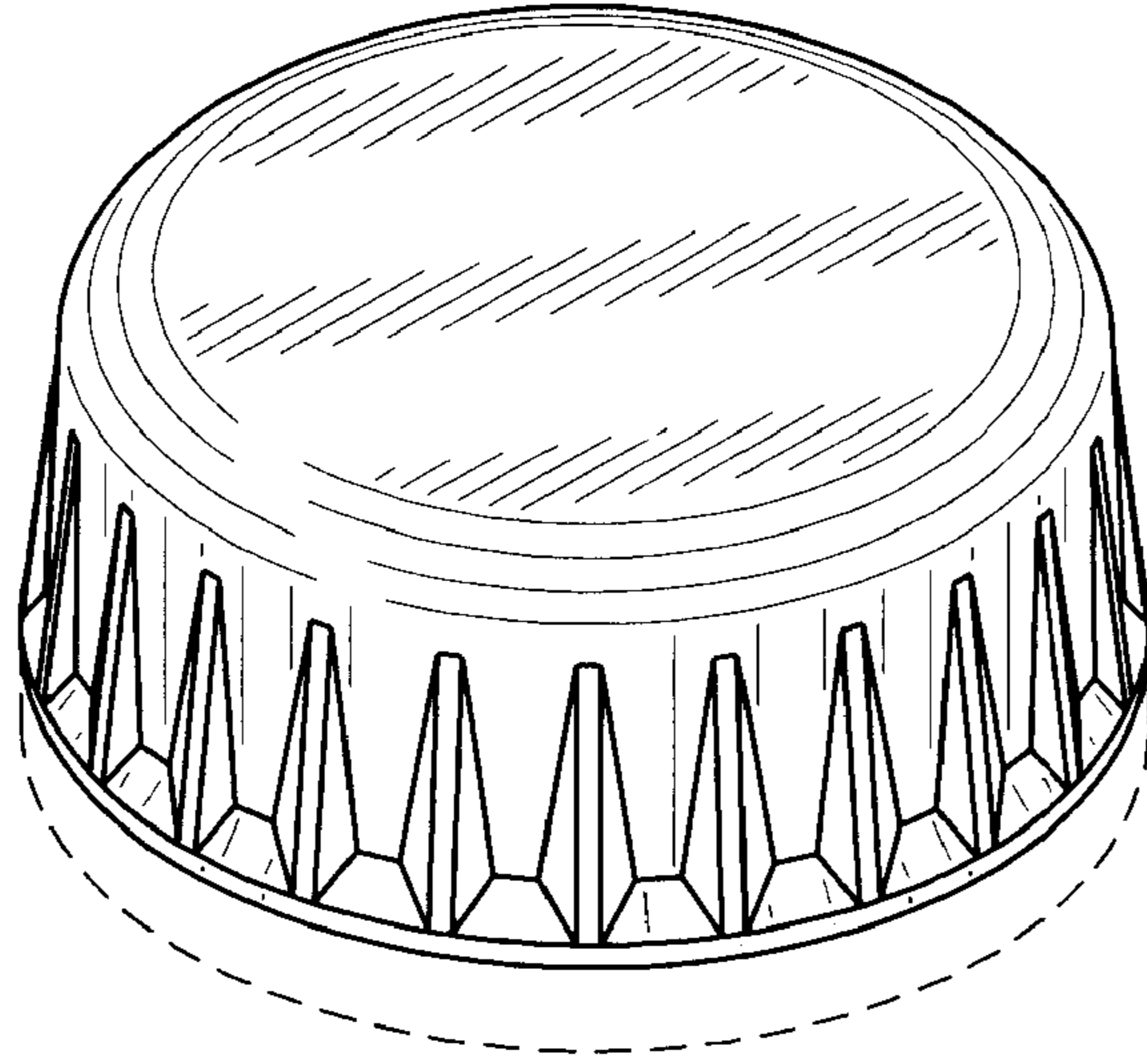


FIG. 1

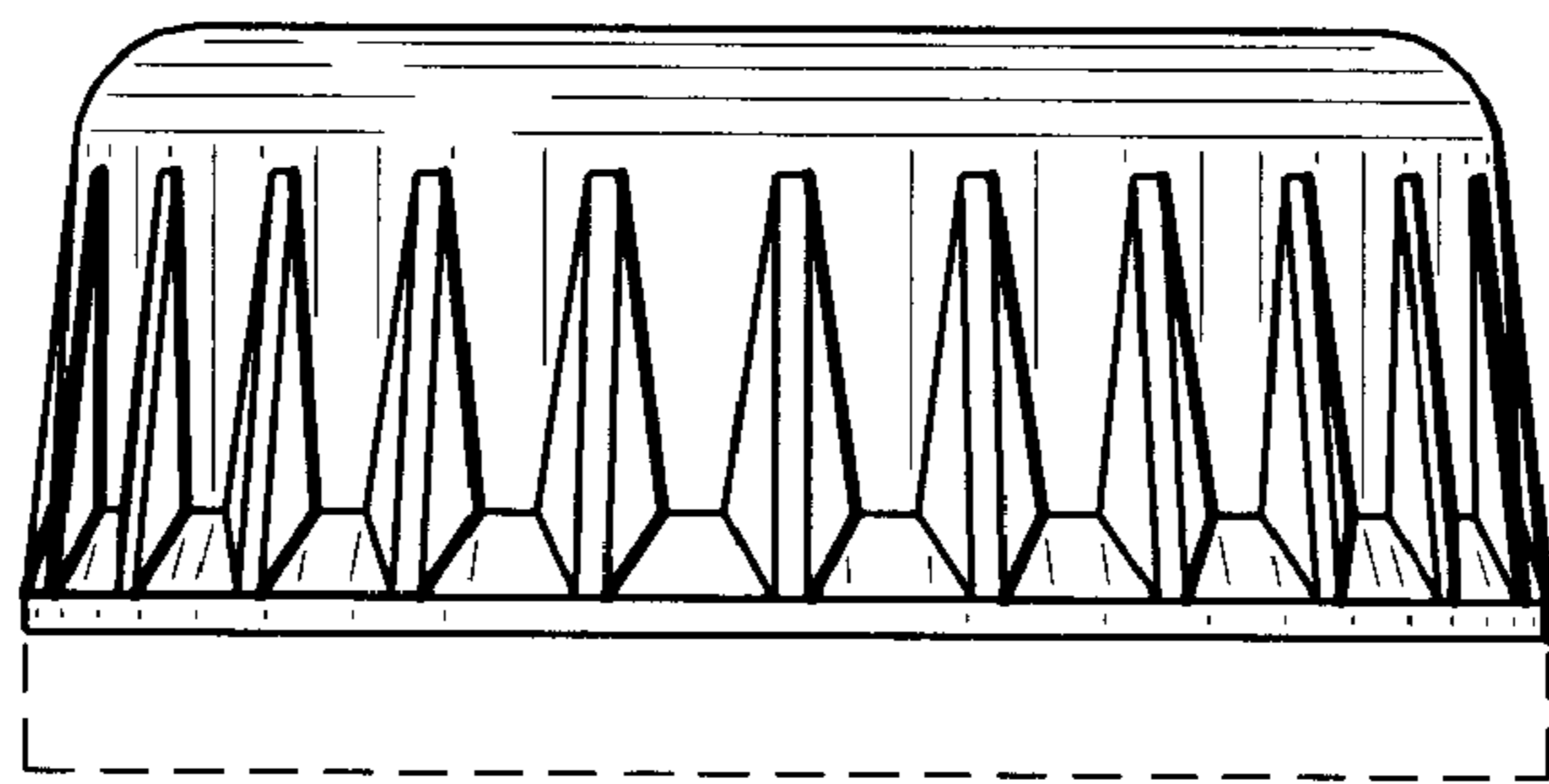


FIG. 2

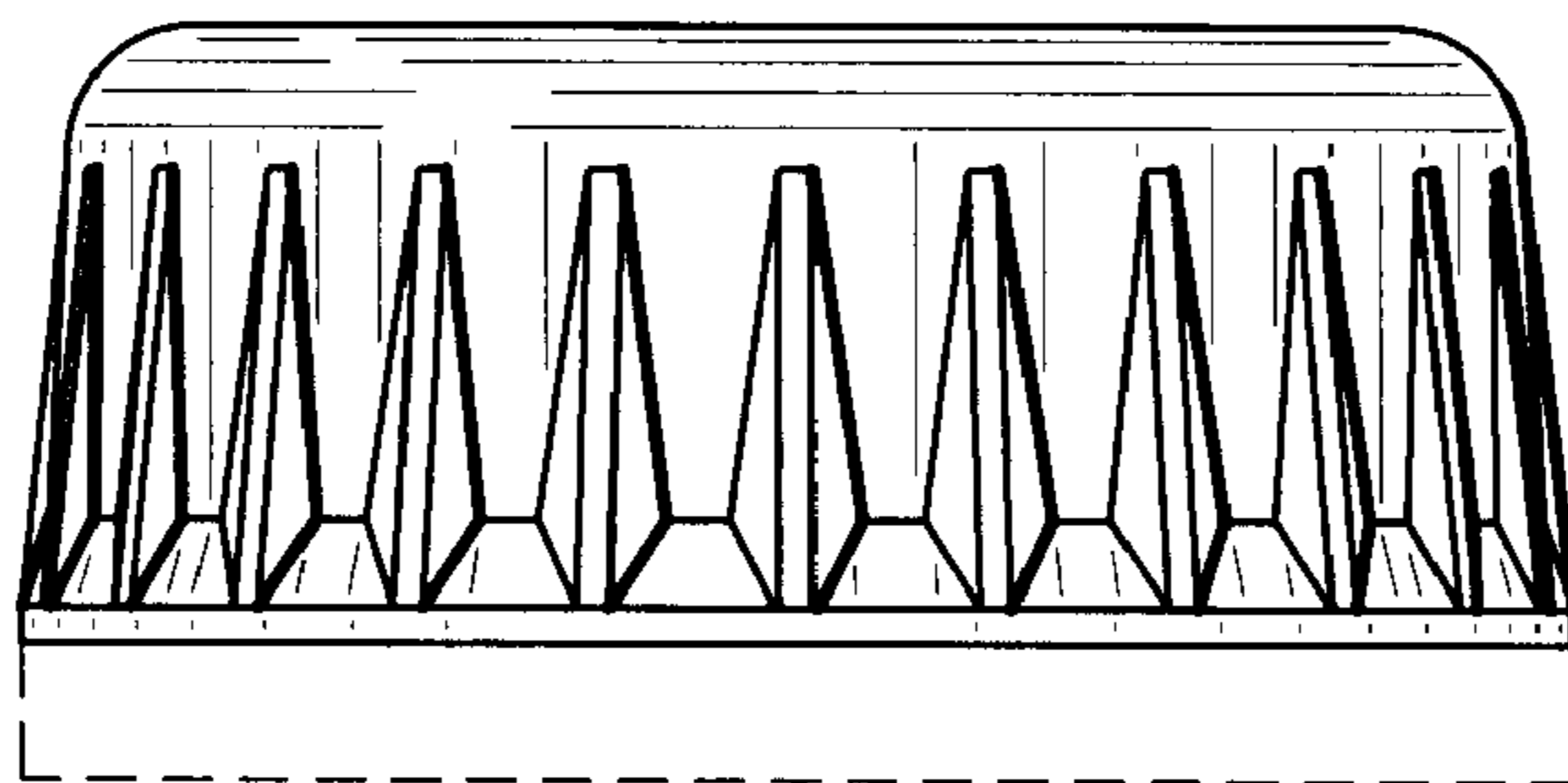


FIG. 3

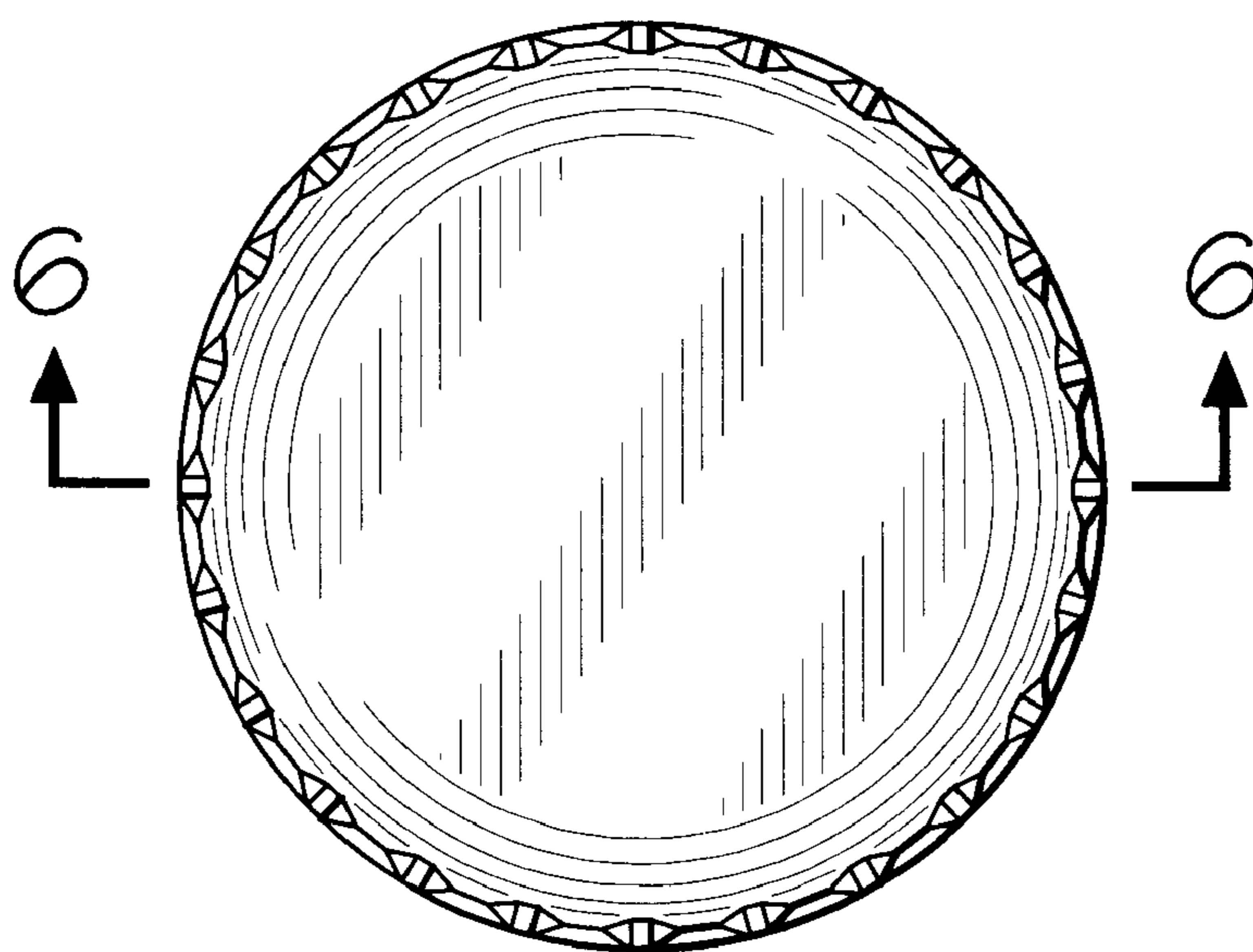


FIG. 4

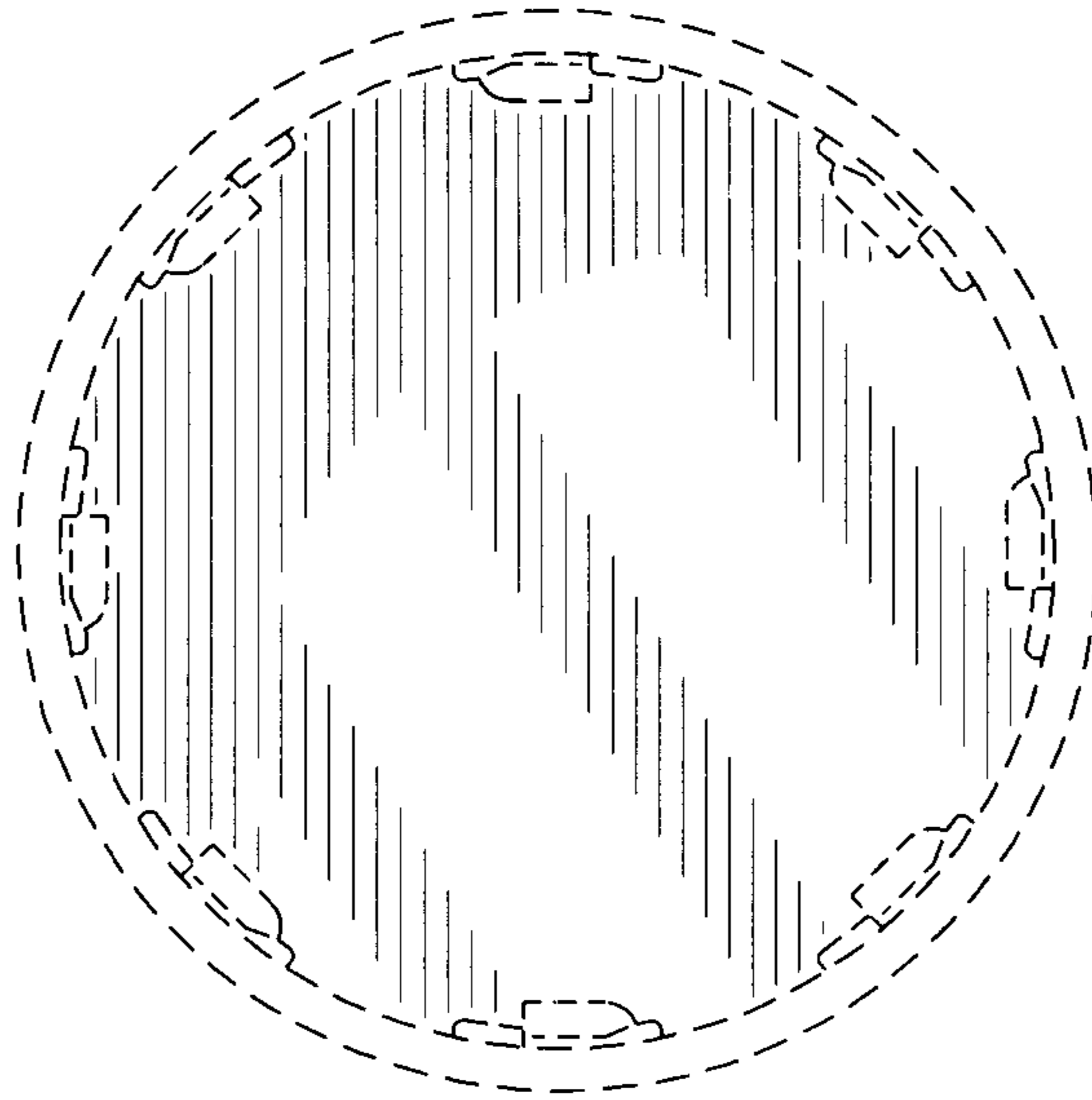


FIG. 5

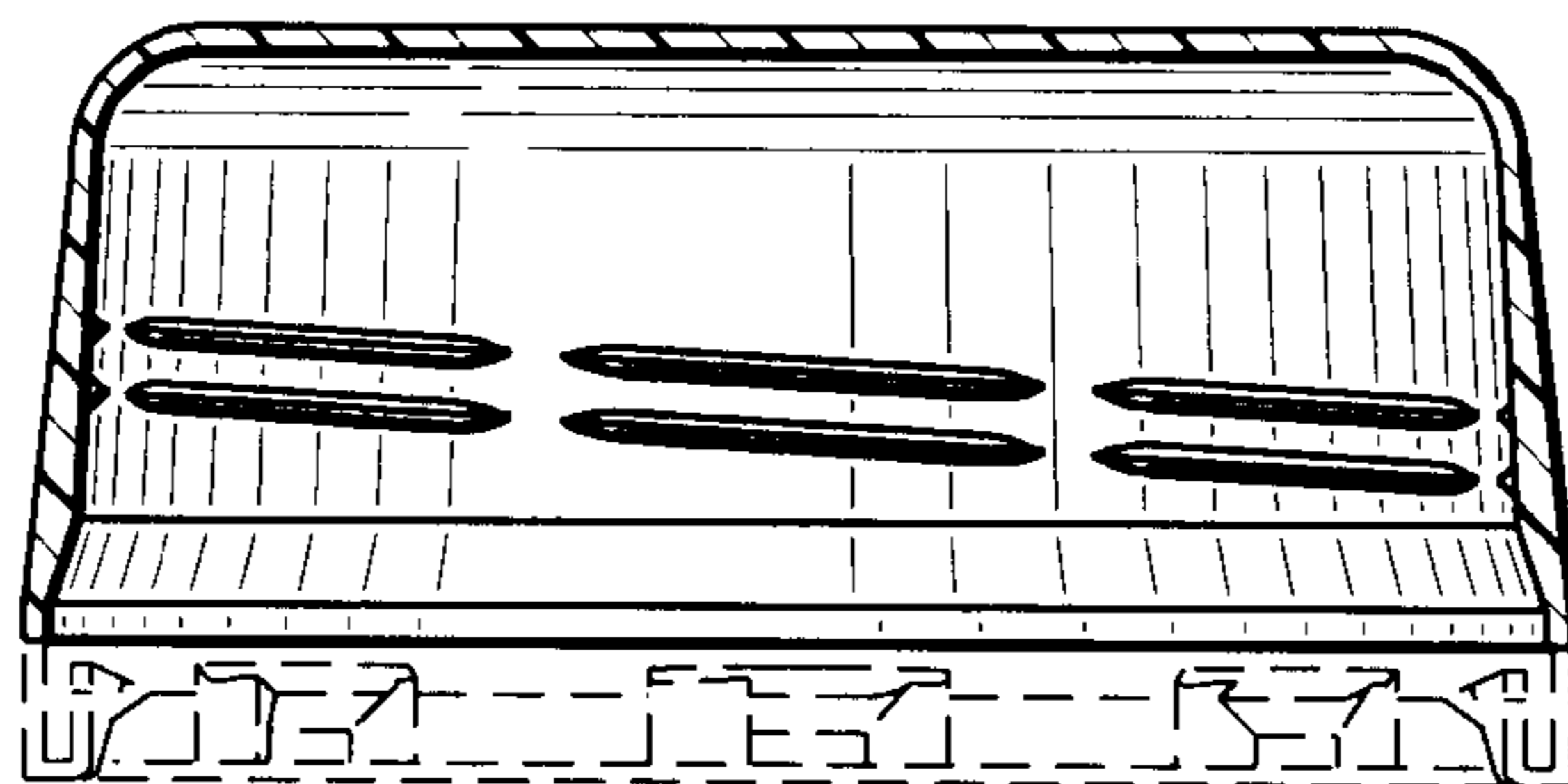


FIG. 6

UNITED STATES PATENT AND TRADEMARK OFFICE
CERTIFICATE OF CORRECTION

PATENT NO. : Des. 537,719 S
APPLICATION NO. : 29/209603
DATED : March 6, 2007
INVENTOR(S) : Seidita

Page 1 of 1

It is certified that error appears in the above-identified patent and that said Letters Patent is hereby corrected as shown below:

Title Page: item (73)

The name of the Assignee should be changed from "Crown Packaging Technology, Inc. (Alsip, IL)" to -- Obrist Closures Switzerland GmbH (Reinach, CH) --

Signed and Sealed this

Thirtieth Day of October, 2007

A handwritten signature in black ink on a dotted background. The signature reads "Jon W. Dudas" in a cursive style.

JON W. DUDAS

Director of the United States Patent and Trademark Office