



US00D537718S

(12) **United States Design Patent**
Gomoll et al.

(10) **Patent No.:** **US D537,718 S**
(45) **Date of Patent:** **** *Mar. 6, 2007**

- (54) **LID FOR A CONTAINER**
- (75) Inventors: **James N. Gomoll**, Lindenhurst, IL
(US); **Timothy R. Haley**, Chicago, IL
(US)
- (73) Assignee: **Pactiv Corporation**, Lake Forest, IL
(US)
- (*) Notice: This patent is subject to a terminal disclaimer.
- (**) Term: **14 Years**
- (21) Appl. No.: **29/253,155**
- (22) Filed: **Feb. 1, 2006**
- (51) **LOC (8) Cl.** **09-07**
- (52) **U.S. Cl.** **D9/452; D9/435**
- (58) **Field of Classification Search** D9/756,
D9/755, 456, 435, 432, 431, 429, 428, 426,
D9/425, 424, 418; D7/629, 601, 554.2, 551.1,
D7/392.1, 391; D34/38; D3/323; 229/406;
220/556; 206/557, 518, 508
See application file for complete search history.

D387,986 S	12/1997	Hayes et al.	
D388,703 S	1/1998	Hayes et al.	
D389,057 S	1/1998	Hayes et al.	
D392,884 S	3/1998	Hayes	
5,730,313 A	3/1998	Hayes et al.	
5,758,791 A	6/1998	Mangla	
5,772,070 A	6/1998	Hayes et al.	
5,860,530 A	1/1999	Simmons et al.	
D409,485 S *	5/1999	Christy, Jr.	D9/425
D409,909 S	5/1999	Hayes	
5,979,687 A	11/1999	Hayes et al.	
5,984,130 A	11/1999	Hayes et al.	
6,021,903 A	2/2000	Hanson	
D432,858 S	10/2000	Hayes et al.	
D432,859 S	10/2000	Hayes et al.	
D433,334 S	11/2000	Hayes et al.	
6,149,053 A	11/2000	Chatterton et al.	
D442,860 S *	5/2001	Symons et al.	D9/428
D444,382 S	7/2001	Hayes et al.	
D459,991 S *	7/2002	Middelbrink	D9/431
D461,678 S	8/2002	Hayes	
D478,812 S *	8/2003	Hobbs	D9/428

* cited by examiner

Primary Examiner—Robert M. Spear
Assistant Examiner—Susan Bennett Hattan
(74) *Attorney, Agent, or Firm*—Jenkins & Gilchrist

(56) **References Cited**

U.S. PATENT DOCUMENTS

3,104,776 A *	9/1963	Bostrom	220/671
D280,296 S	8/1985	Holden		
4,533,585 A	8/1985	Holden		
D280,489 S	9/1985	Holden		
4,623,088 A	11/1986	Holden		
D288,295 S	2/1987	Holden		
4,813,570 A	3/1989	Pontoppidan		
4,859,822 A	8/1989	Ragusa et al.		
D323,114 S	1/1992	Sheehan		
D334,323 S *	3/1993	Rohrbeck	D7/554.2
D352,000 S	11/1994	Hanson		
D379,431 S	5/1997	Mangla		
D382,796 S	8/1997	Mangla		
D384,247 S	9/1997	Smith et al.		
D386,075 S	11/1997	Hayes et al.		

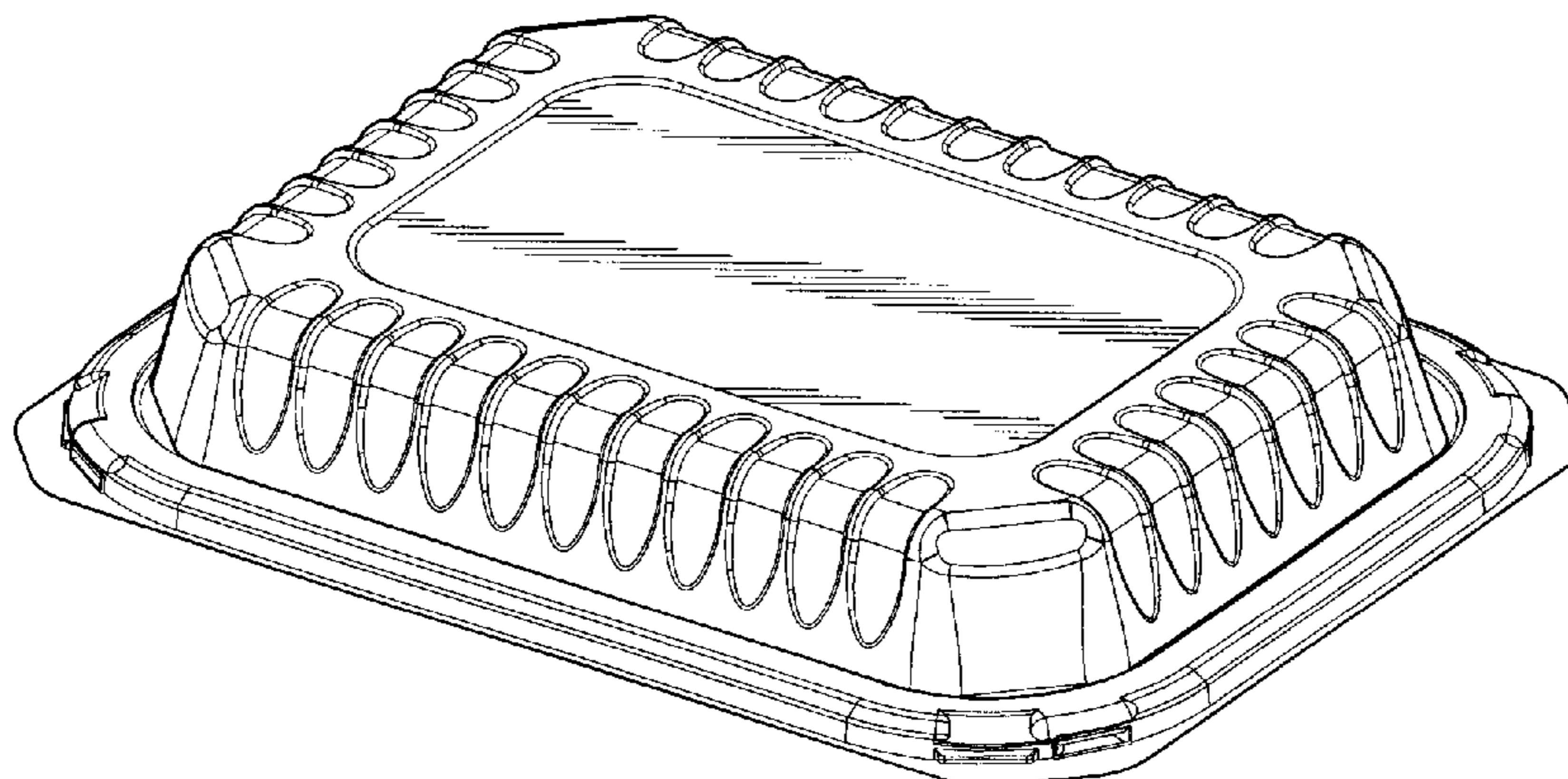
(57) **CLAIM**

The ornamental design for lid for a container, as shown and described.

DESCRIPTION

FIG. 1 is a perspective view of a lid for a container;
FIG. 2 is a top plan view of the lid for a container of FIG. 1;
FIG. 3 is a bottom plan view of the lid for a container of FIG. 1;
FIG. 4 is a side elevational view of the container of FIG. 1, the opposite side being identical; and,
FIG. 5 is an end elevational view of the container of FIG. 1, the opposite side being identical.

1 Claim, 2 Drawing Sheets



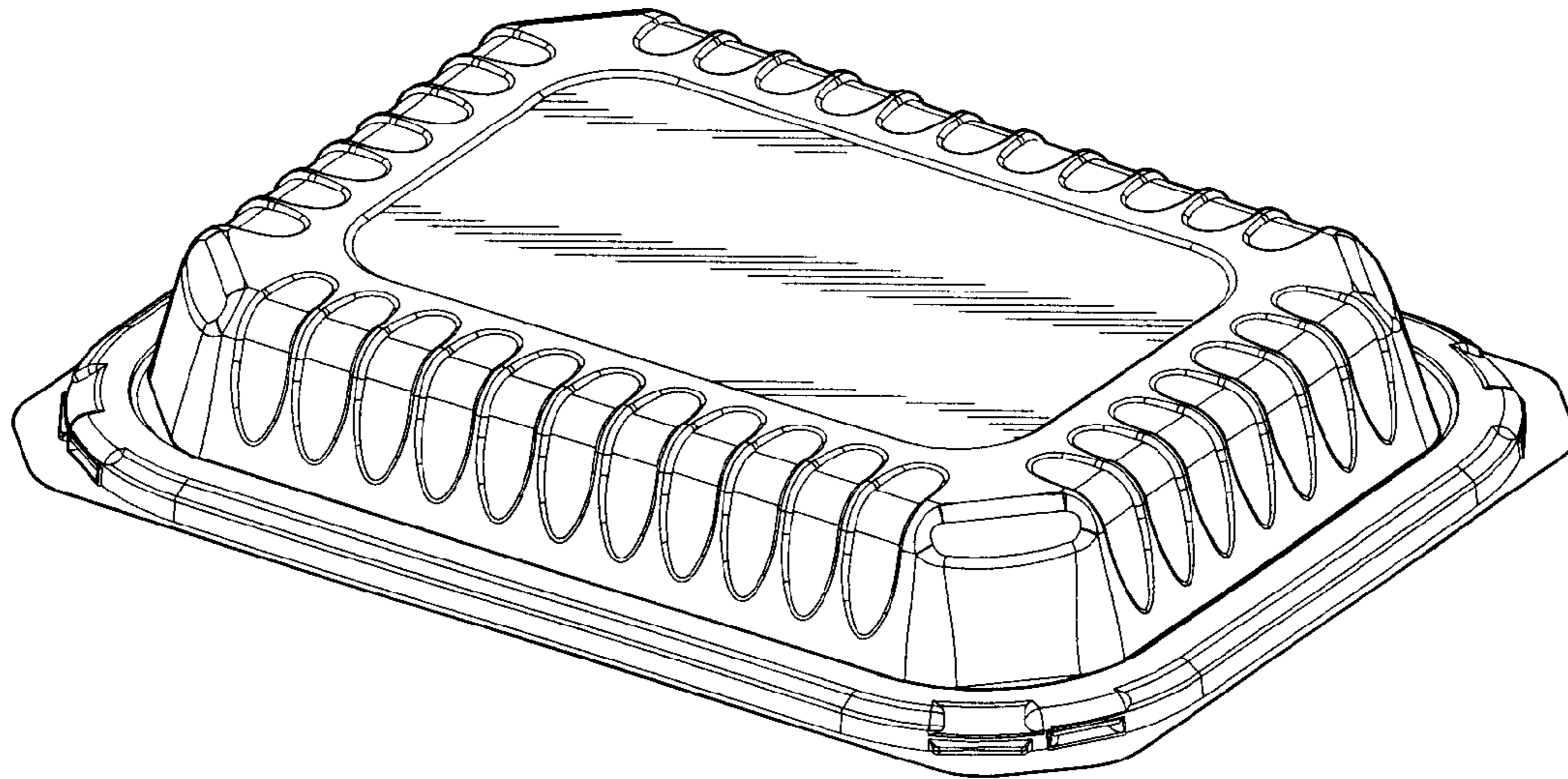


Fig.1

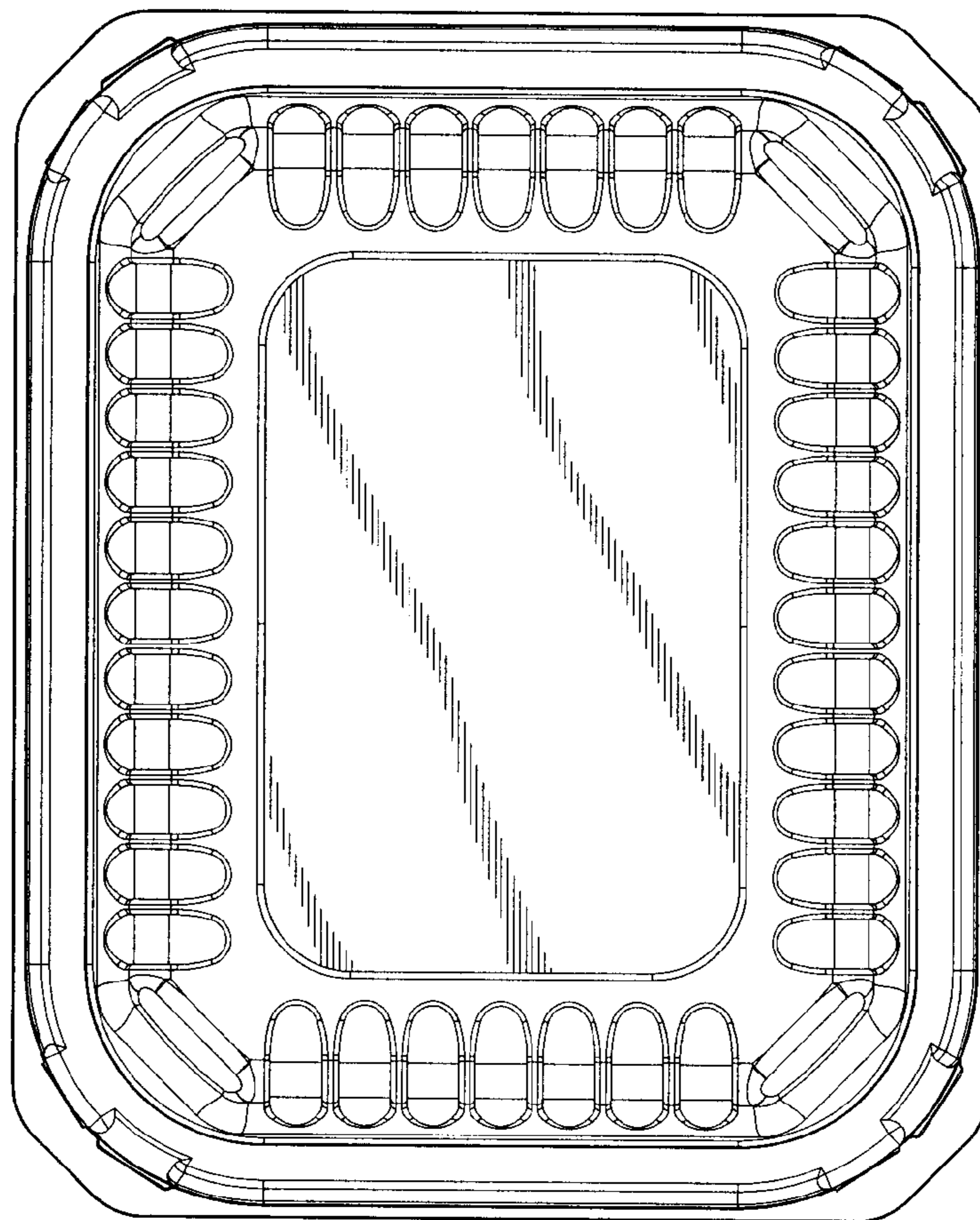


Fig.2

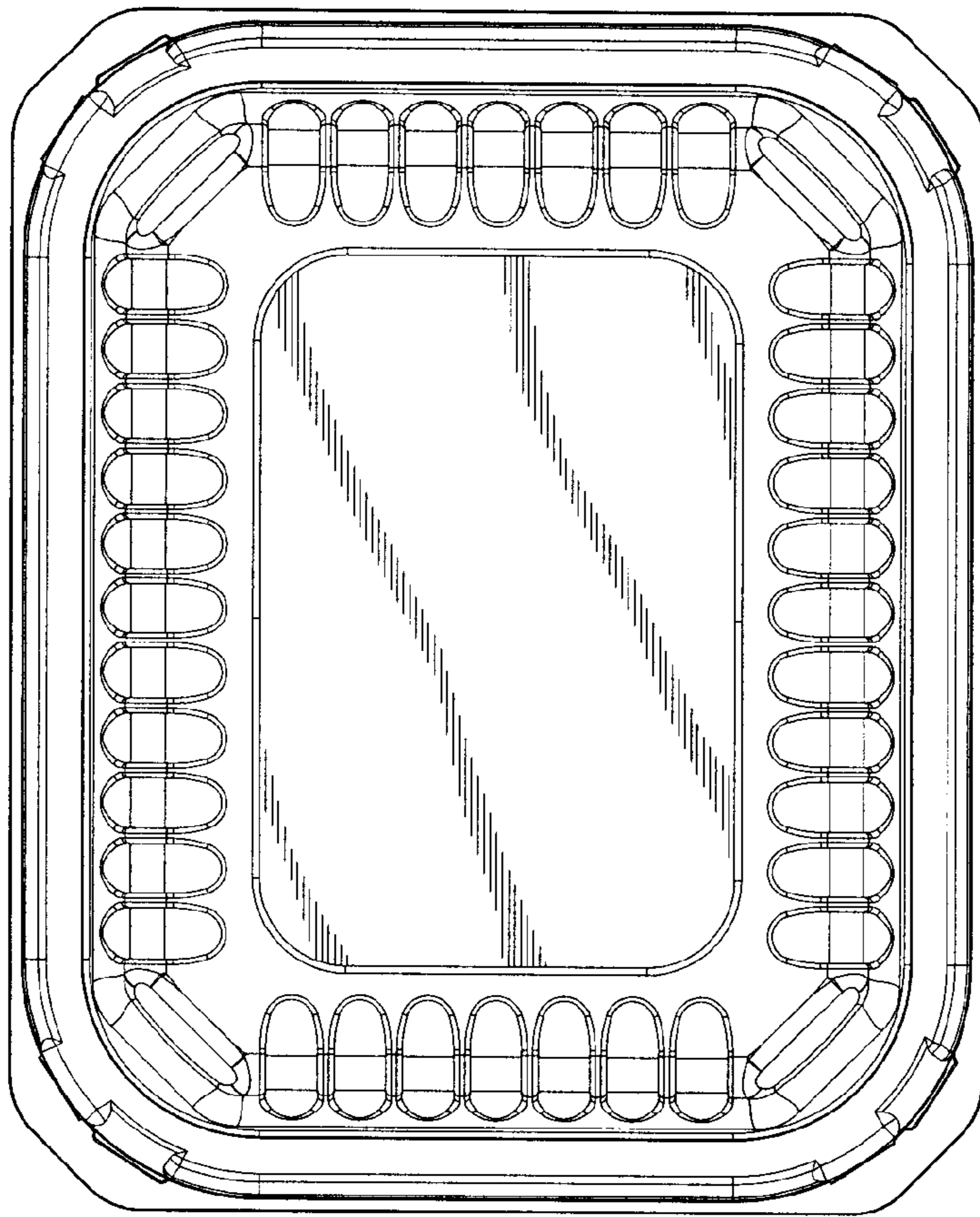


Fig.3

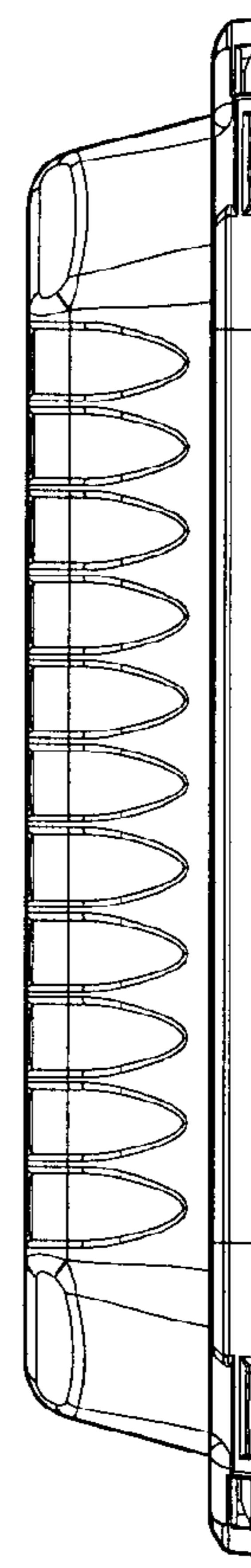


Fig.4

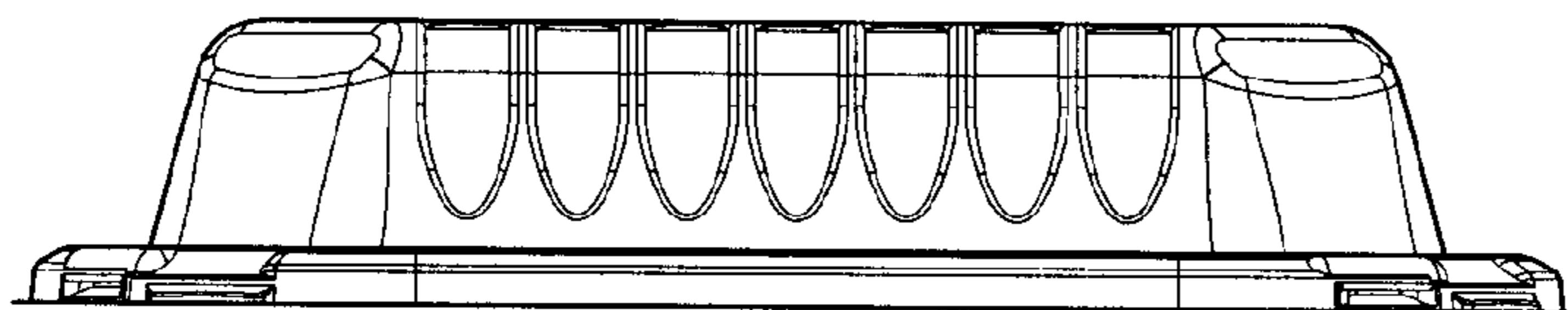


Fig.5