



US00D537717S

(12) **United States Design Patent**
Notarianni

(10) **Patent No.:** **US D537,717 S**

(45) **Date of Patent:** **** Mar. 6, 2007**

(54) **SANITARY LID FOR PAPER AND PLASTIC COFFEE CUP COVERS**

2003/0141302 A1 * 7/2003 Ryan et al. 220/254.1
2004/0084452 A1 5/2004 Hsieh

(76) Inventor: **Thomas Notarianni**, 80 Burton St.,
Cranston, RI (US) 02920

* cited by examiner

(**) Term: **14 Years**

Primary Examiner—Robert M. Spear

Assistant Examiner—Susan Bennett Hattan

(74) *Attorney, Agent, or Firm*—Salter & Michaelson

(21) Appl. No.: **29/261,192**

(57) **CLAIM**

(22) Filed: **Jun. 9, 2006**

The ornamental design for a sanitary lid for paper and plastic coffee cup covers, as shown and described.

(51) **LOC (8) Cl.** **09-07**

(52) **U.S. Cl.** **D9/449; D9/447**

(58) **Field of Classification Search** D9/454,
D9/450, 449, 447, 445, 441, 438, 435, 434;
D7/629, 511, 510, 396.2, 392.1, 317, 391,
D7/392; D3/203.2, 202; 222/555, 451.2;
220/713, 712, 270, 253

DESCRIPTION

See application file for complete search history.

FIG. 1 is a perspective view of a sanitary lid for paper and plastic coffee cup covers in its closed position, showing my new design;

FIG. 2 is a top plan view thereof;

FIG. 3 is a bottom plan view thereof;

FIG. 4 is a side elevational view thereof;

FIG. 5 is an elevational view of the opposite side thereof;

FIG. 6 is a front elevational view thereof;

FIG. 7 is a rear elevational view thereof;

FIG. 8 is a perspective view showing the lid after it has been pivoted upwardly and rearwardly to its open and locked position; and,

FIG. 9 is a perspective view showing the lid being torn away from the cover.

The diametrically extending broken lines in FIGS. 1, 2, and 8 represent a score line to facilitate tearing the lid away from the cover.

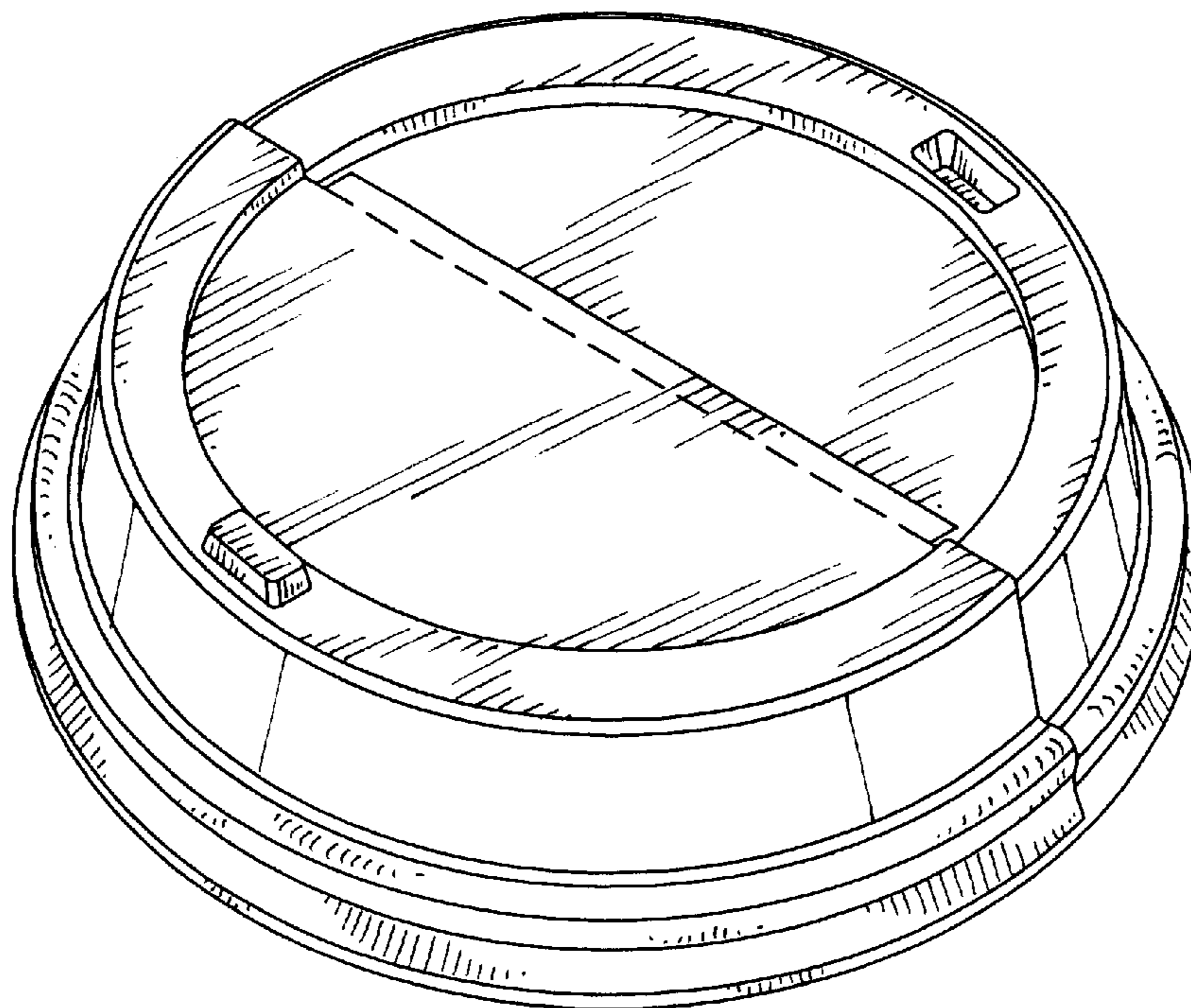
The broken lines in FIG. 9 are for informational purposes only and form no part of the claimed design.

(56) **References Cited**

U.S. PATENT DOCUMENTS

- D101,166 S * 9/1936 Forsberg D9/454
- 3,417,897 A * 12/1968 Johnson 220/254.3
- D273,837 S * 5/1984 De Coster D7/391
- D318,234 S * 7/1991 Lillelund et al. D9/454
- 5,398,843 A * 3/1995 Warden et al. 220/711
- 5,692,616 A 12/1997 Baker
- D476,566 S * 7/2003 Smith et al. D9/447
- D476,891 S * 7/2003 Clarke et al. D9/447
- 6,679,397 B2 * 1/2004 Smith et al. 220/254.1
- D509,426 S * 9/2005 Samz et al. D9/447
- D514,444 S * 2/2006 Smith et al. D9/447
- D516,424 S * 3/2006 Schweigert et al. D9/447

1 Claim, 5 Drawing Sheets



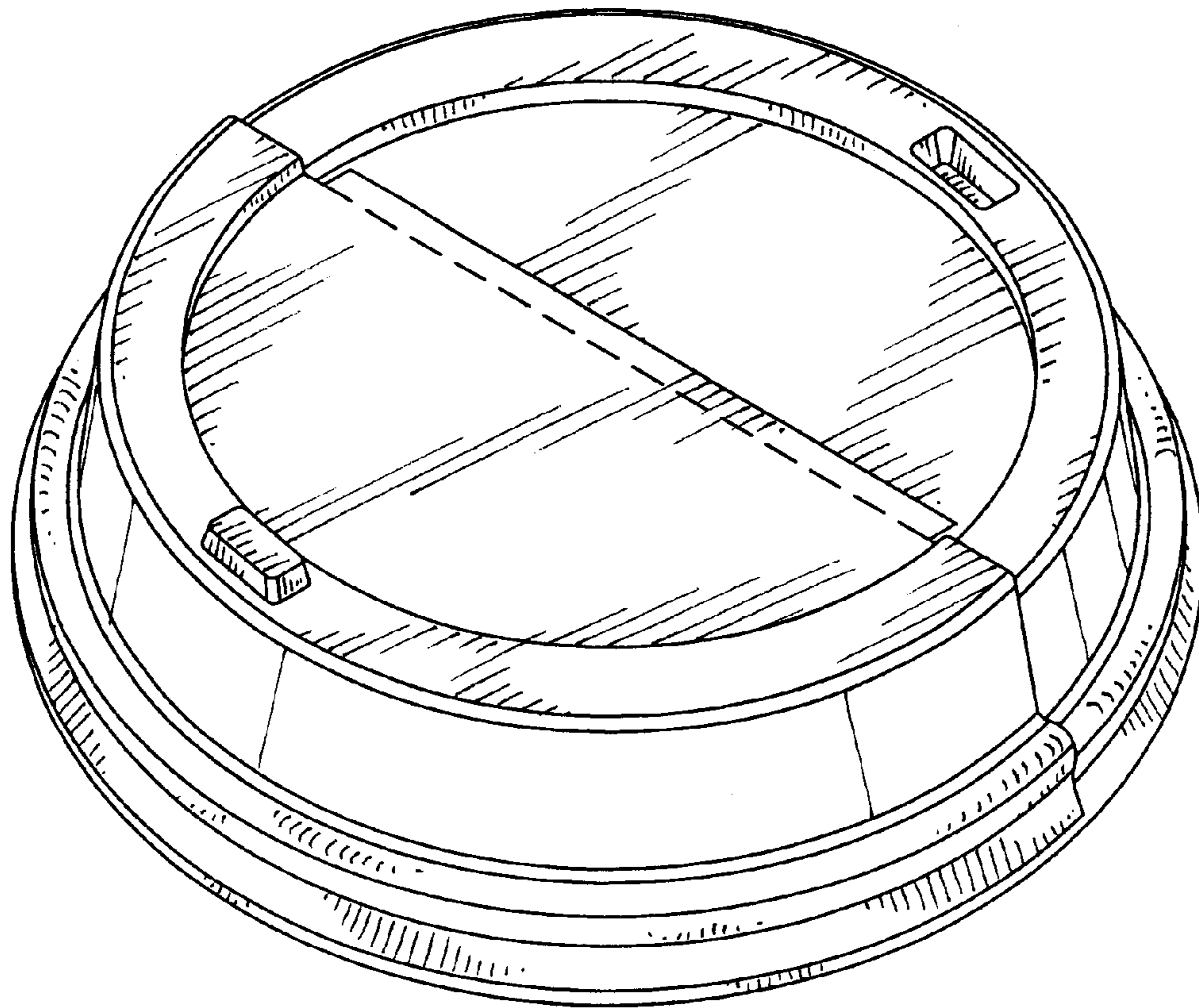


FIG. 1

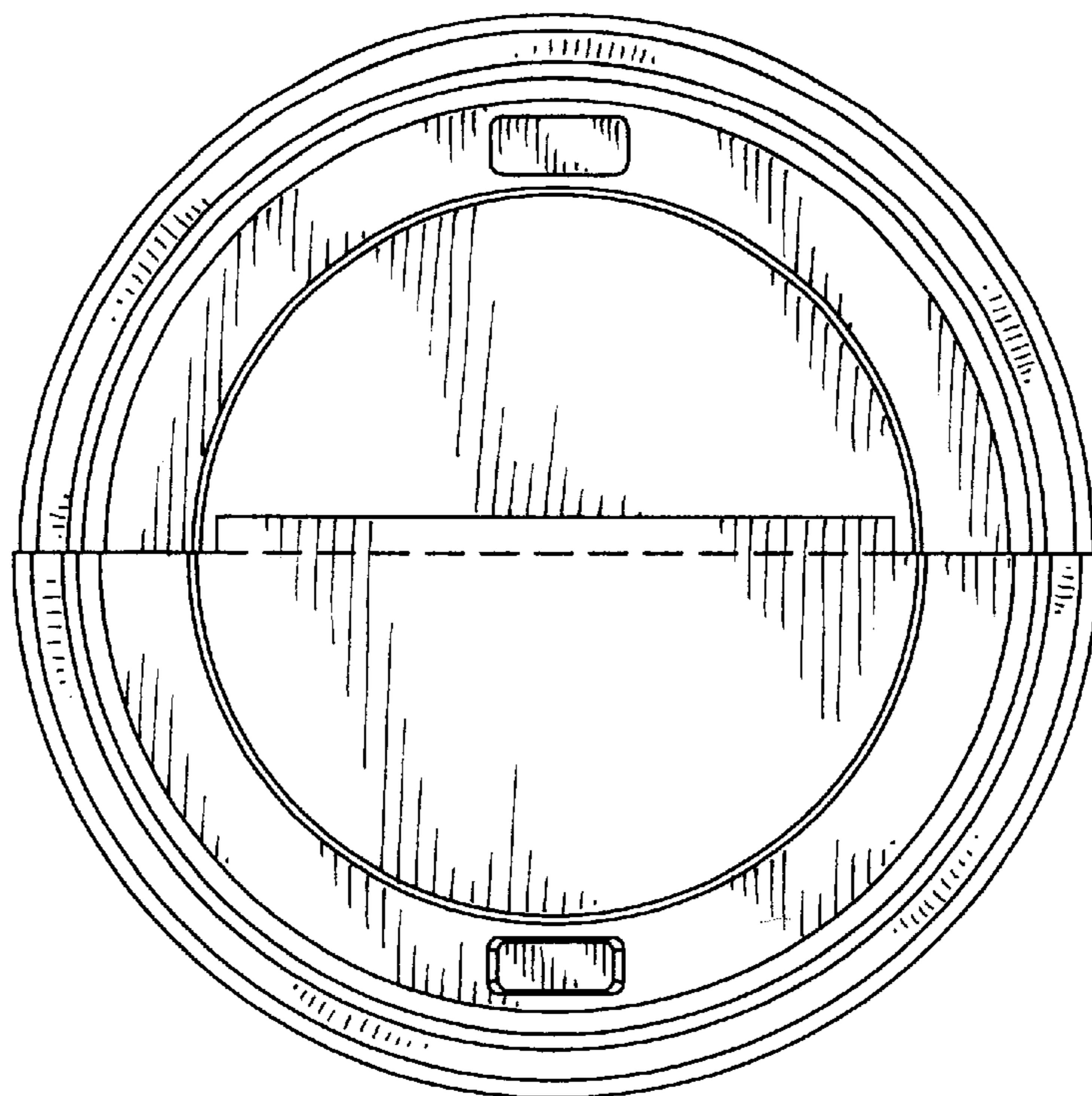


FIG. 2

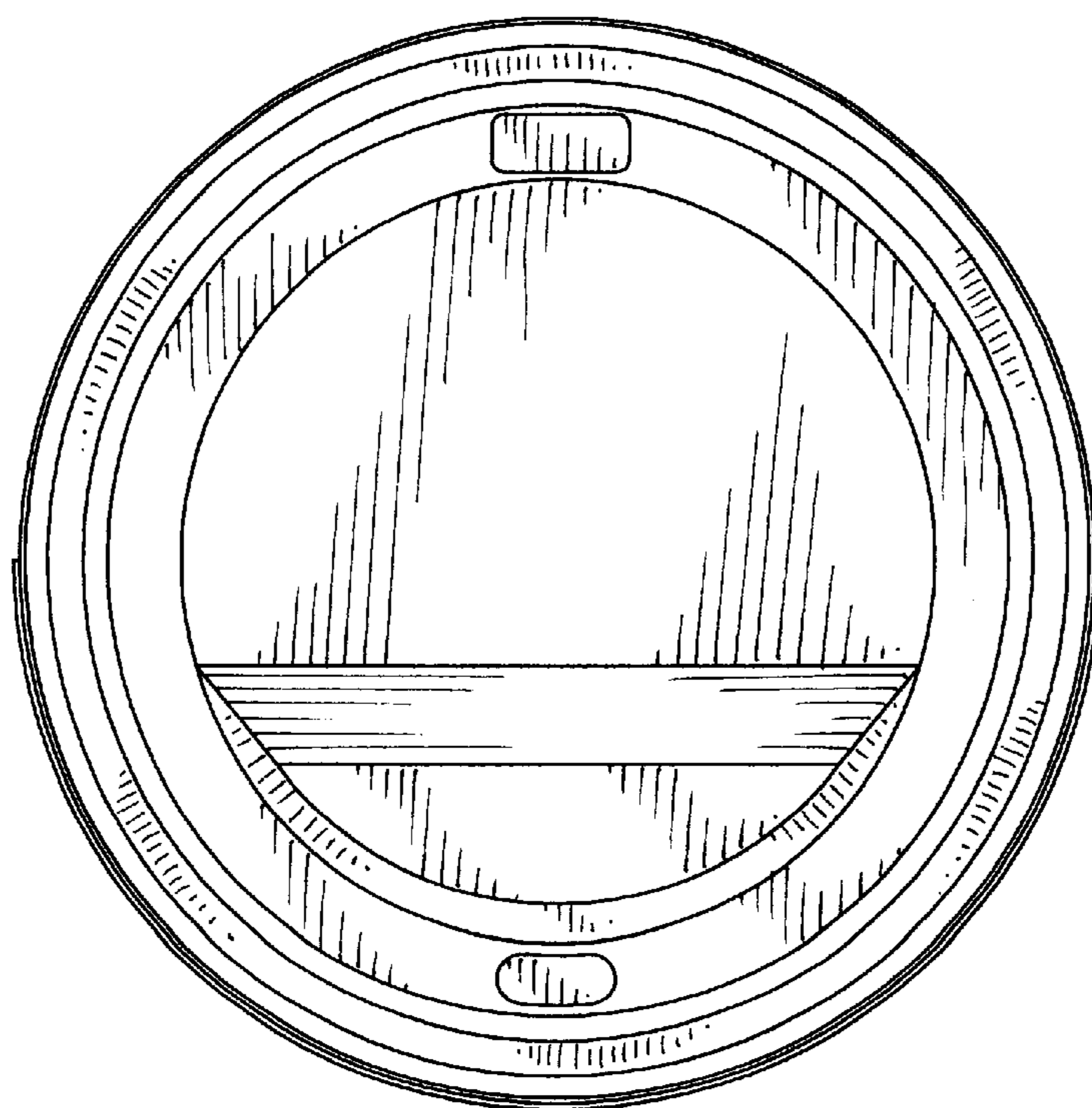


FIG. 3

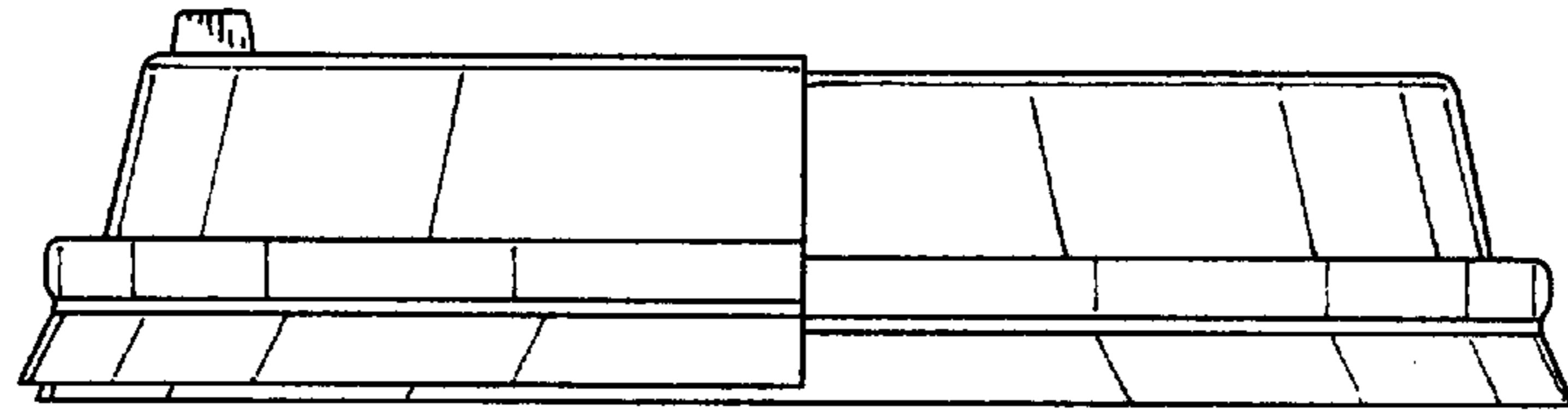


FIG. 4

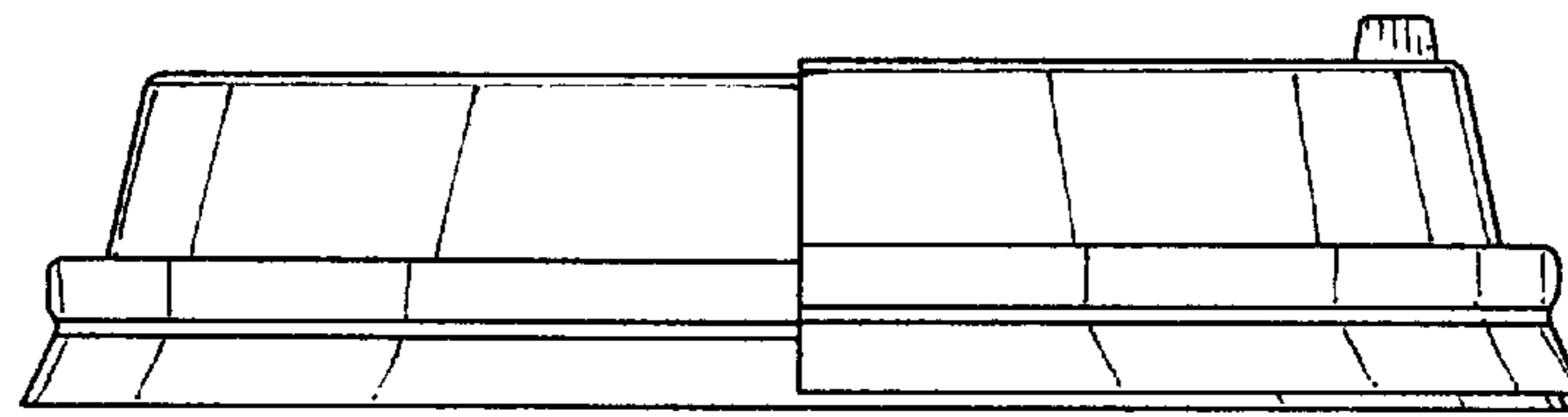


FIG. 5

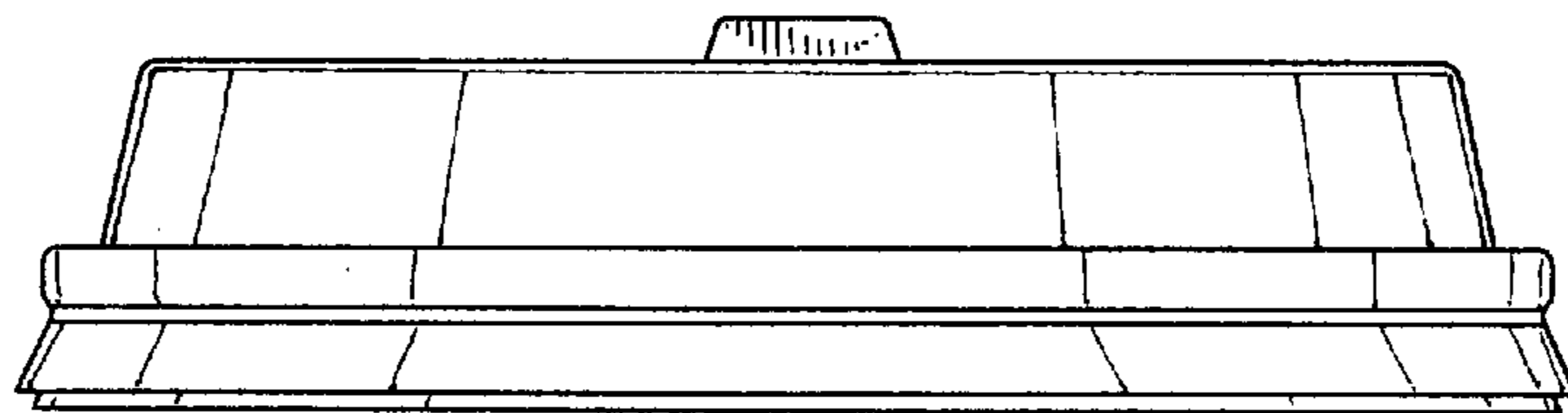


FIG. 6

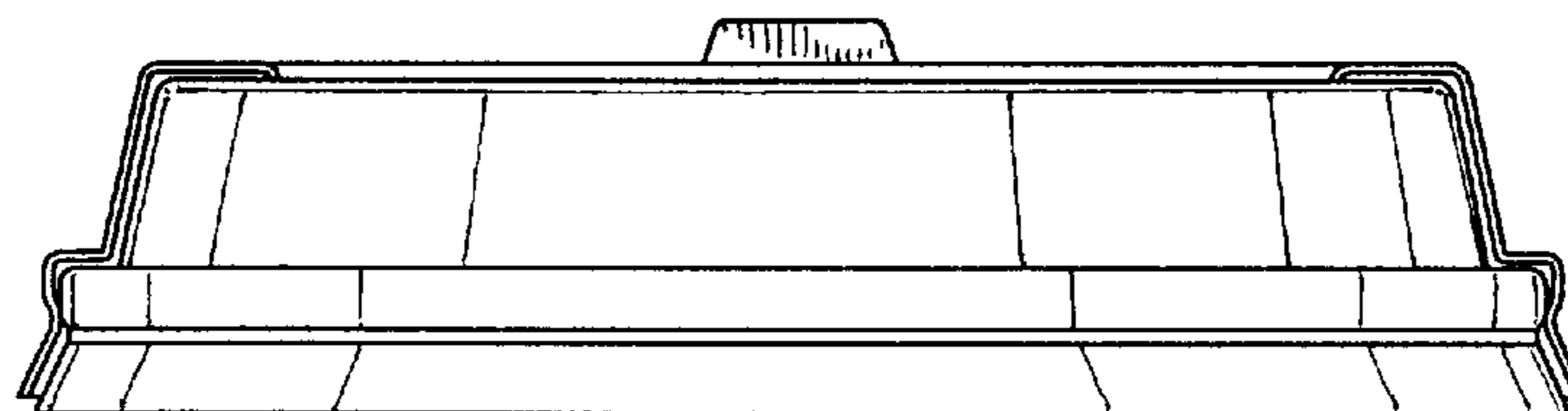


FIG. 7

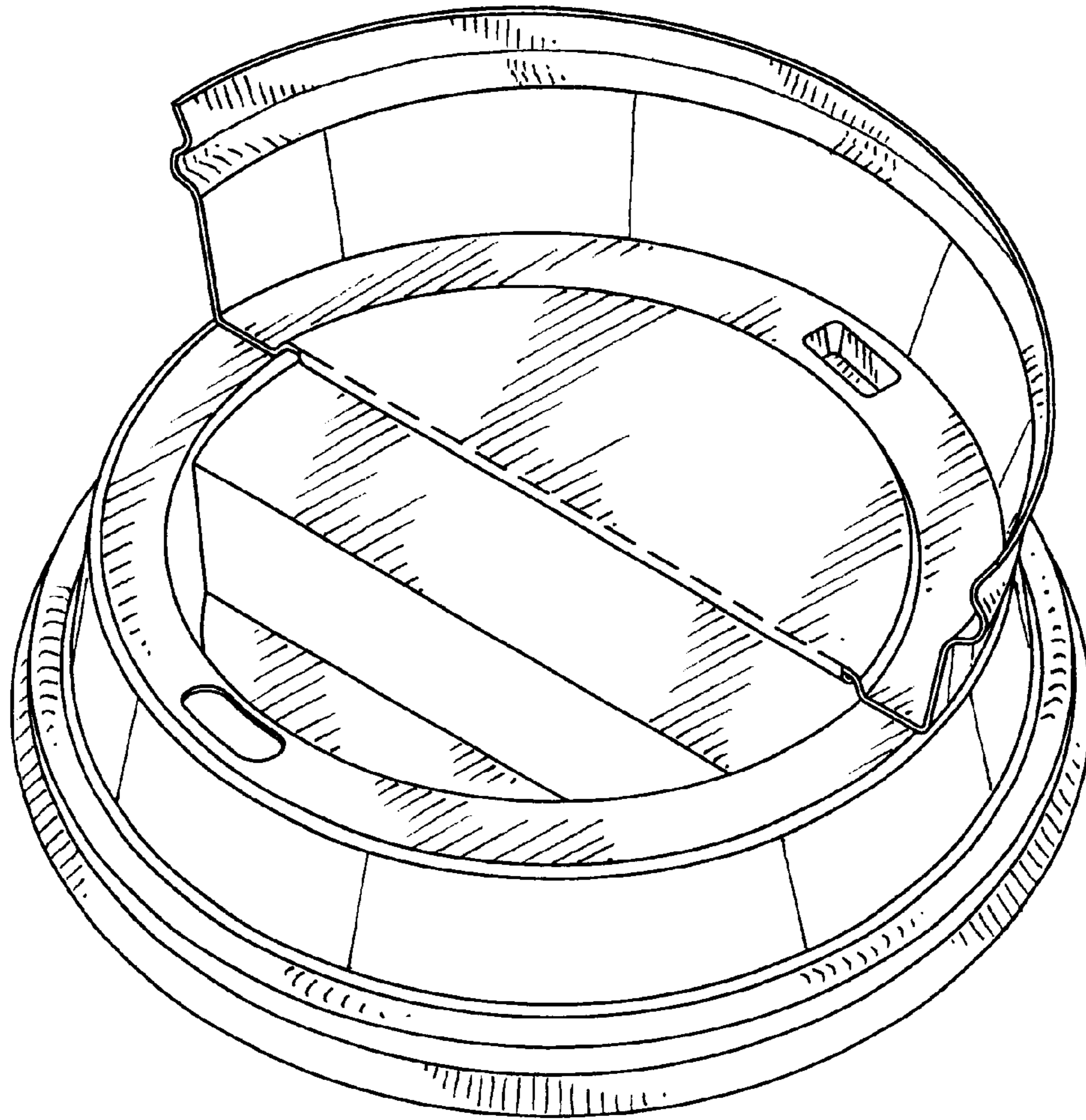


FIG. 8

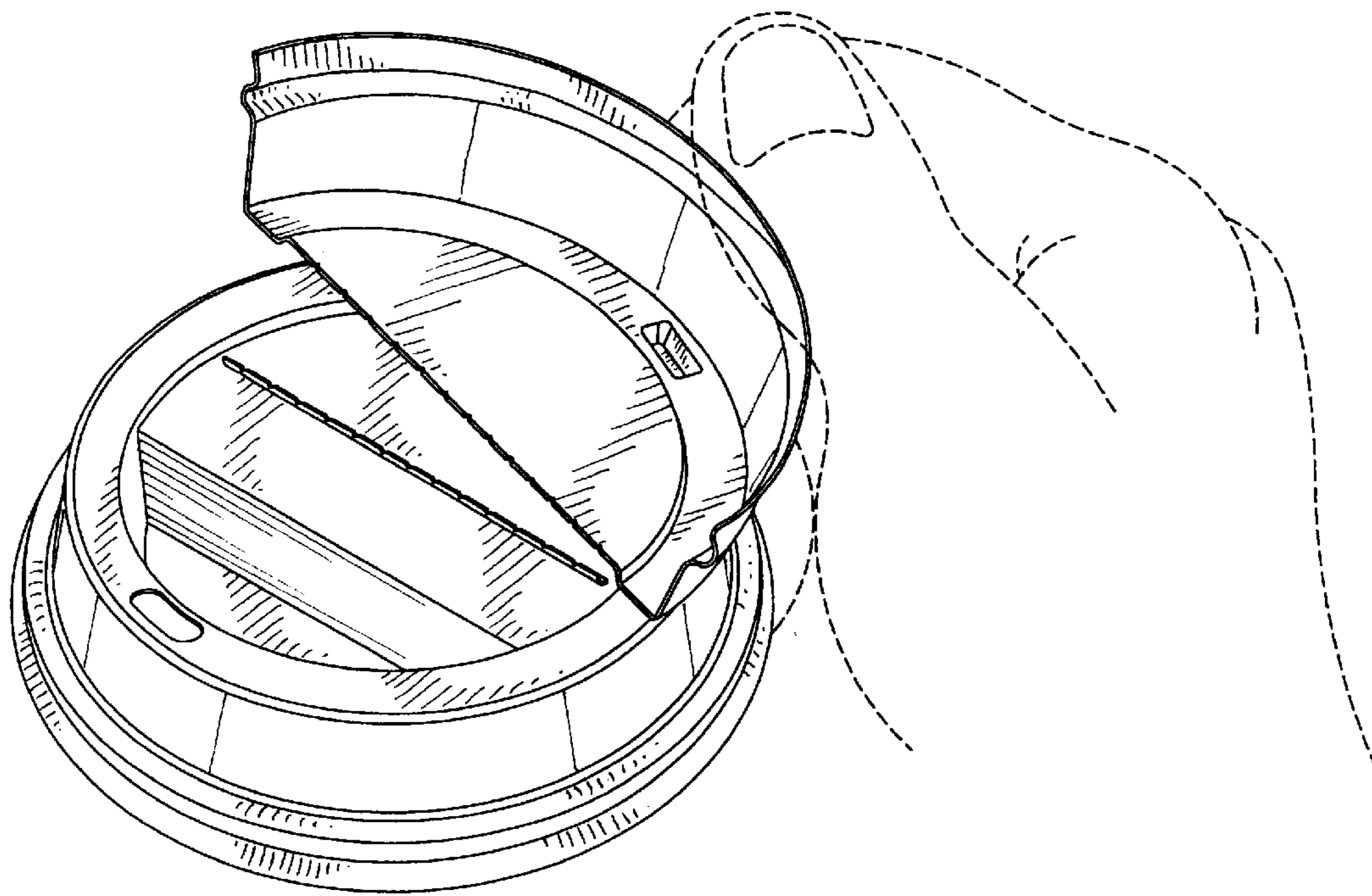


FIG. 9