

US00D537716S

(12) **United States Design Patent**
Smith

(10) **Patent No.:** **US D537,716 S**

(45) **Date of Patent:** **** Mar. 6, 2007**

(54) **CLOSURE**

(75) Inventor: **Kelly A. Smith**, East Troy, WI (US)

(73) Assignee: **Seaquist Closures Foreign, Inc.**,
Crystal Lake, IL (US)

(**) Term: **14 Years**

(21) Appl. No.: **29/241,188**

(22) Filed: **Oct. 25, 2005**

(51) **LOC (8) Cl.** **09-07**

(52) **U.S. Cl.** **D9/449; D9/454; D9/435;**
D9/453

(58) **Field of Classification Search** D9/544,
D9/529, 521, 518, 454, 453, 449, 447, 446,
D9/444, 440, 438, 435, 434; D7/511; 222/562,
222/556, 544; 220/288; 215/316, 235, 200
See application file for complete search history.

(56) **References Cited**

U.S. PATENT DOCUMENTS

D265,060 S	*	6/1982	Blank	D9/446
D363,025 S	*	10/1995	Deflander et al.	D9/449
D398,852 S		9/1998	Gross		
D409,489 S	*	5/1999	Blades	D9/449
D439,516 S	*	3/2001	Bakic	D9/449
D440,494 S	*	4/2001	Sagel et al.	D9/450

6,382,476 B1	*	5/2002	Randall et al.	222/545
6,491,041 B1	*	12/2002	Okamoto	132/74.5
D519,029 S	*	4/2006	Hicks et al.	D9/453
D528,419 S	*	9/2006	Robinson	D9/454
2006/0000910 A1	*	1/2006	Chong et al.	235/462.15

OTHER PUBLICATIONS

U.S. Appl. No. 29/208,007, filed Jun. 22, 2004, Hicks et al.

* cited by examiner

Primary Examiner—Robert M. Spear

Assistant Examiner—Susan Bennett Hattan

(74) *Attorney, Agent, or Firm*—Wood, Phillips, Katz, Clark & Mortimer

(57) **CLAIM**

The ornamental design for a closure, as shown and described.

DESCRIPTION

FIG. 1 is a front isometric view of a closure showing our new design;

FIG. 2 is a top view thereof;

FIG. 3 is a front elevational view thereof;

FIG. 4 is a rear elevational view thereof; and,

FIG. 5 is a left right side elevational view thereof; the left side elevational view thereof being a mirror image.

1 Claim, 2 Drawing Sheets

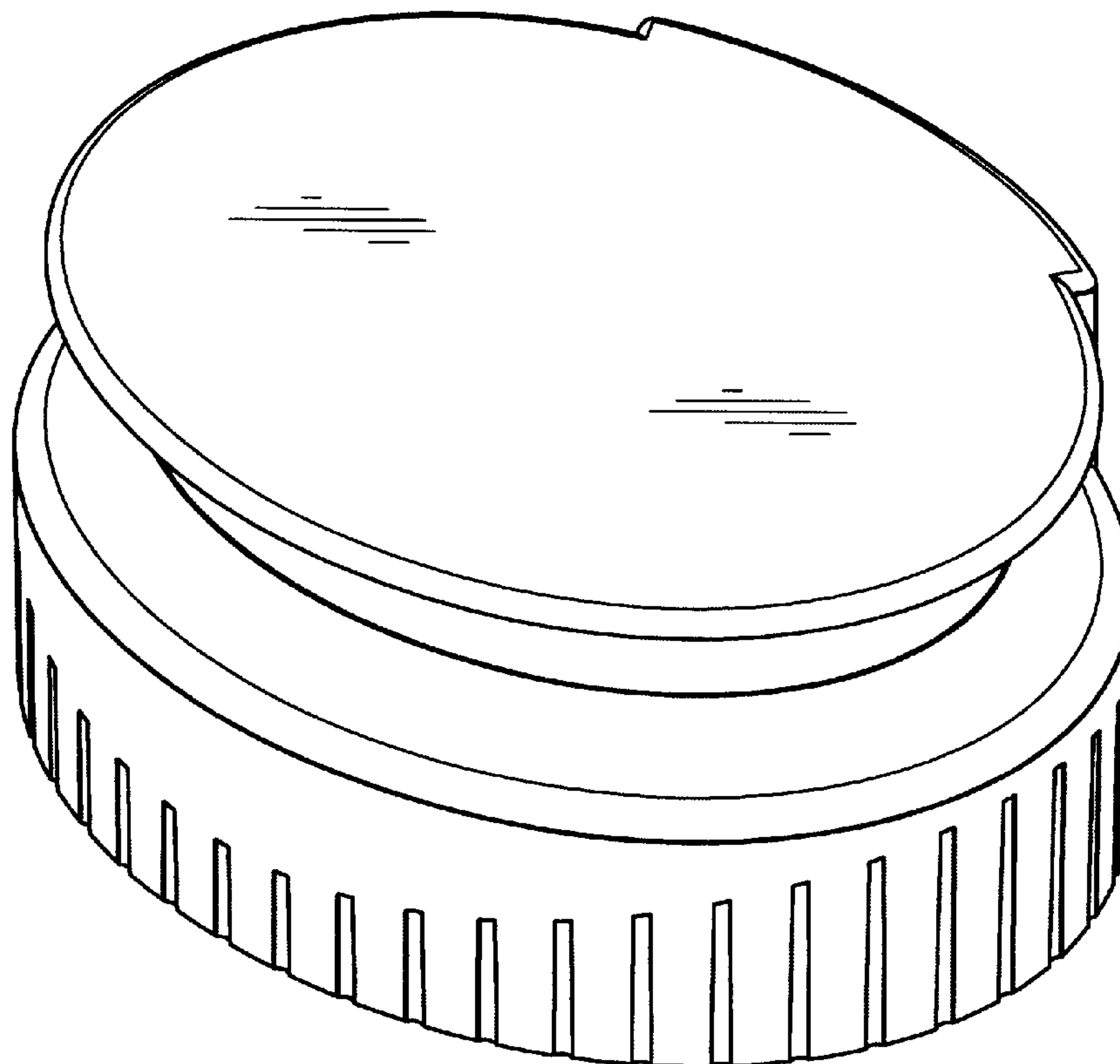


FIG. 1

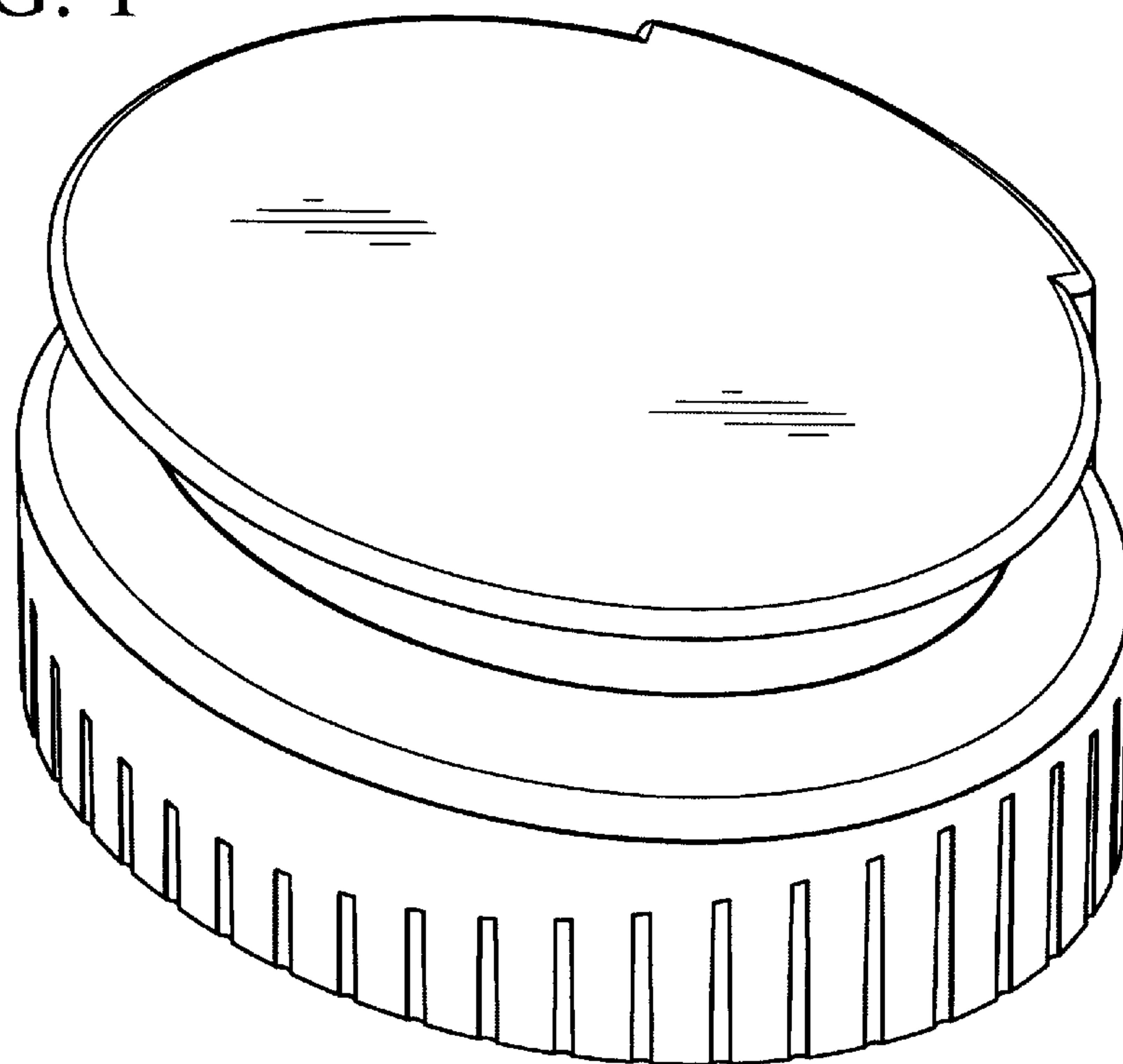


FIG. 2

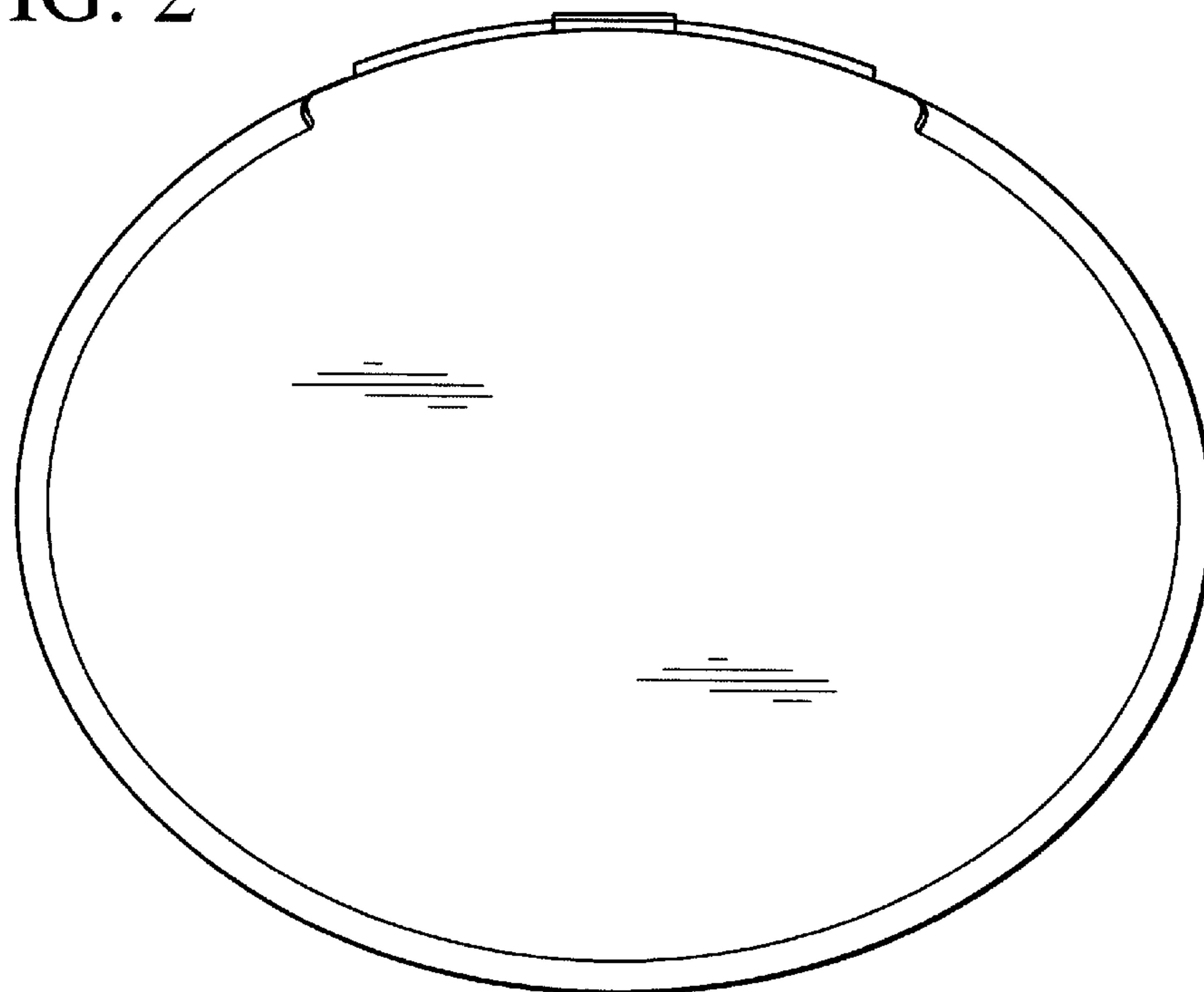


FIG. 3

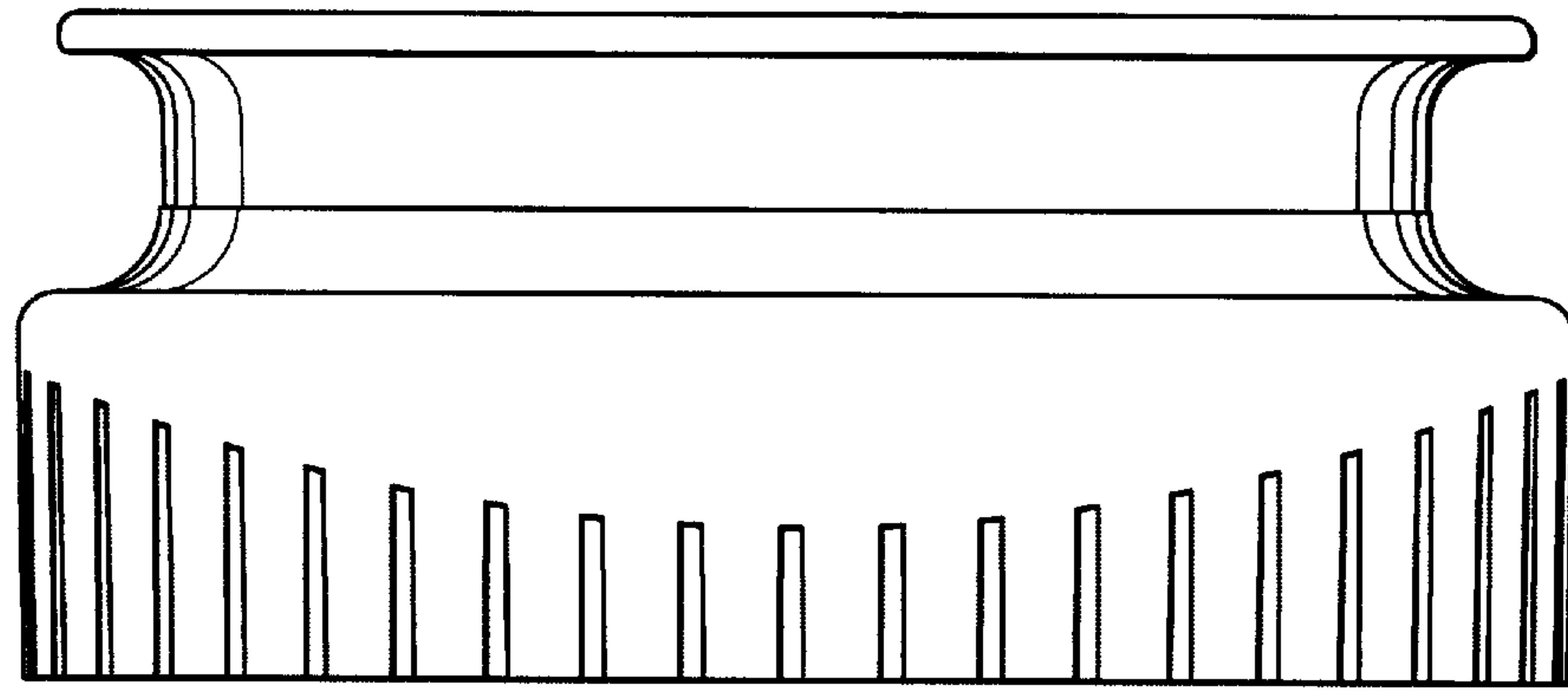


FIG. 4

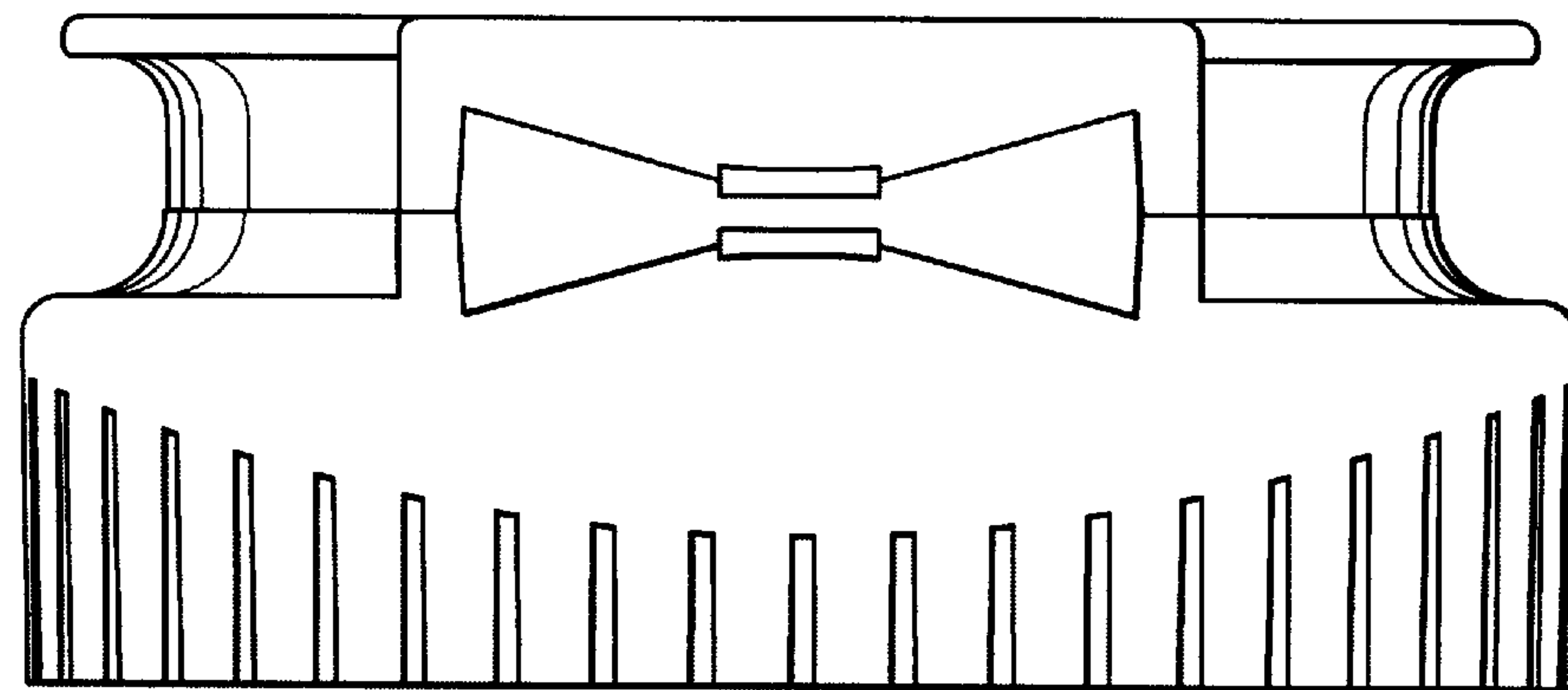


FIG. 5

