



US00D537715S

(12) **United States Design Patent**
Downey et al.

(10) **Patent No.:** **US D537,715 S**
(45) **Date of Patent:** **** Mar. 6, 2007**

(54) **AEROSOL DISPENSER FOR A PRESSURIZED CONTAINER**

(75) Inventors: **Michael Paul Downey**, Tarrytown, NY (US); **Timothy O'Toole**, Yorktown Heights, NY (US)

(73) Assignee: **Precision Valve Corporation**, Yonkers, NY (US)

(**) Term: **14 Years**

(21) Appl. No.: **29/257,749**

(22) Filed: **Apr. 10, 2006**

(51) **LOC (8) Cl.** **09-07**

(52) **U.S. Cl.** **D9/448; D9/553**

(58) **Field of Classification Search** D9/686,
D9/682, 529, 453, 449, 448, 447, 445, 444,
D9/440, 435; 222/182, 153.1; 220/915
See application file for complete search history.

(56) **References Cited**

U.S. PATENT DOCUMENTS

D165,072 S	*	11/1951	Heilig	D9/448
4,448,316 A	*	5/1984	Hiroshige	215/388
D323,117 S	*	1/1992	Demarest	D9/448
D419,878 S	*	2/2000	Kerr et al.	D9/448
D462,009 S	*	8/2002	Poisson et al.	D9/448

* cited by examiner

Primary Examiner—Robert M. Spear
Assistant Examiner—Susan Bennett Hattan
(74) *Attorney, Agent, or Firm*—Kilgannon & Steidl

(57) **CLAIM**

We claim the ornamental design for aerosol dispenser for a pressurized container, as shown and described.

DESCRIPTION

FIG. 1 is a left, top, front perspective view of an aerosol dispenser for a pressurized container embodying our new design;

FIG. 2 is a right, top, rear perspective view of the aerosol dispenser;

FIG. 3 is a top plan view of the aerosol dispenser;

FIG. 4 is a front elevational view of the aerosol dispenser;

FIG. 5 is a left side elevational view of the aerosol dispenser;

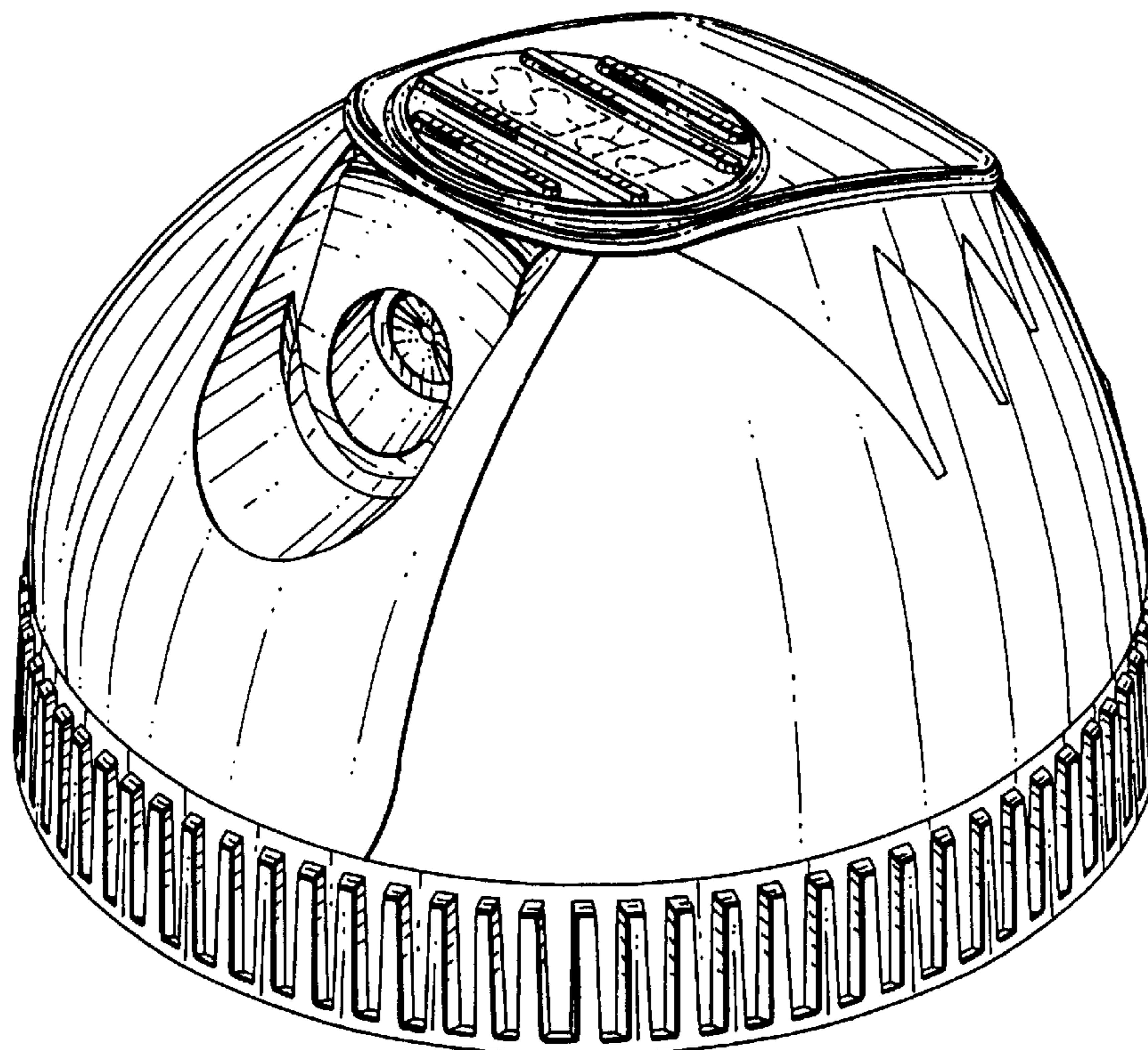
FIG. 6 is a right side elevational view of the aerosol dispenser; and,

FIG. 7 is a rear elevational view of the aerosol dispenser.

The bottom of the aerosol dispenser forms no part of the claimed design.

The broken lines in the drawings are for illustrative purposes only and form no part of the claimed design.

1 Claim, 7 Drawing Sheets



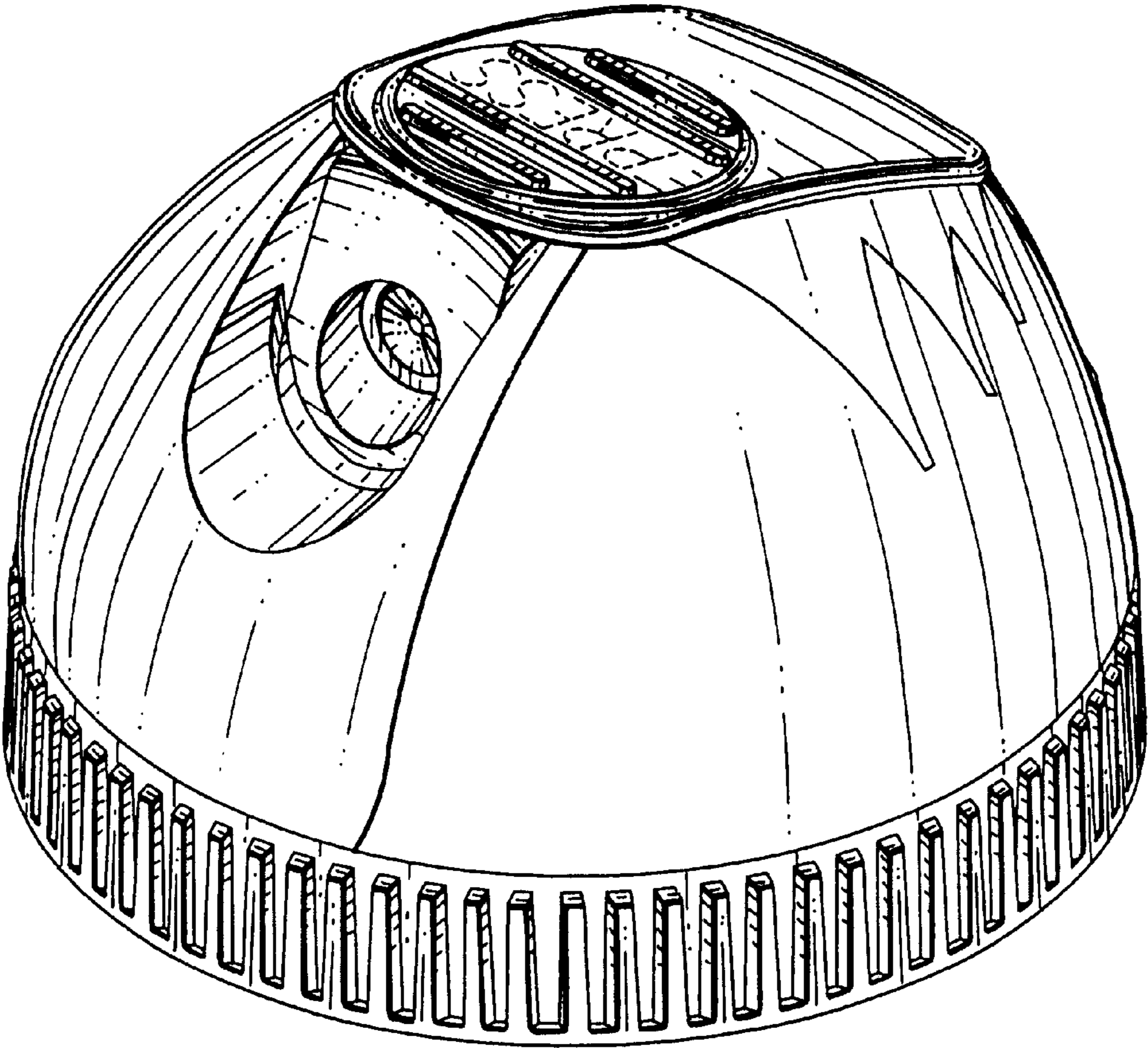


FIG. 1

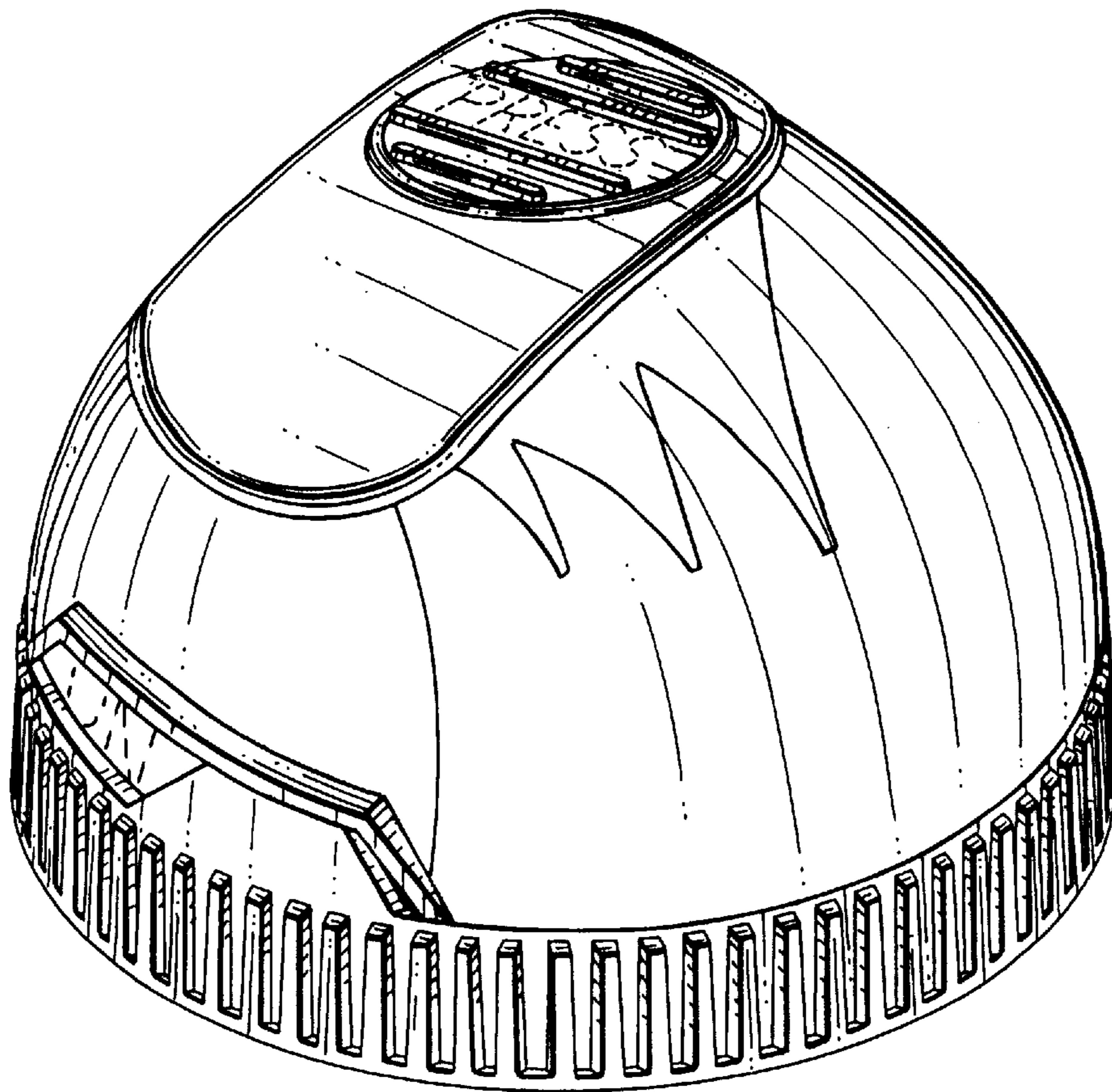


FIG.2

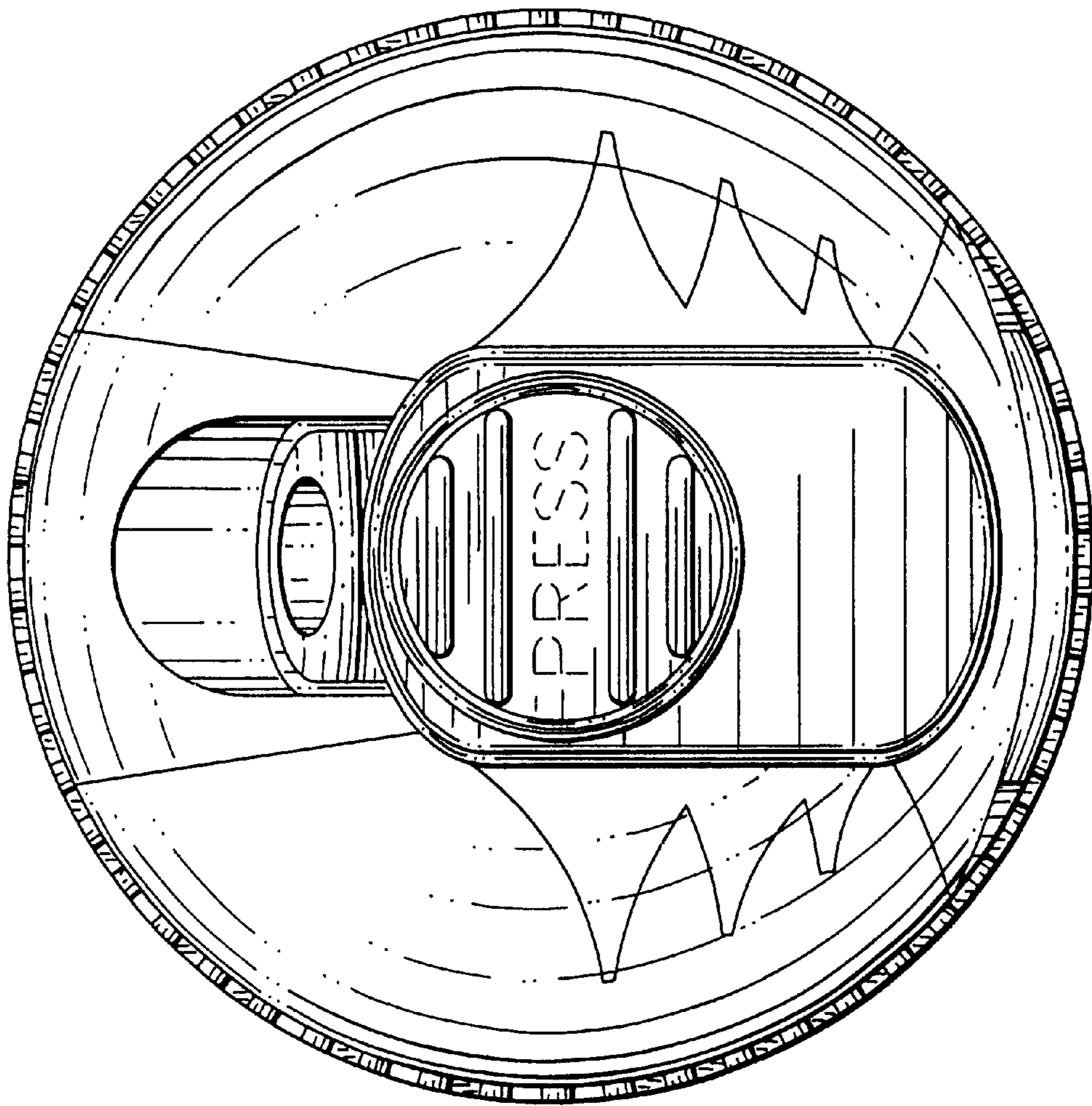


FIG.3

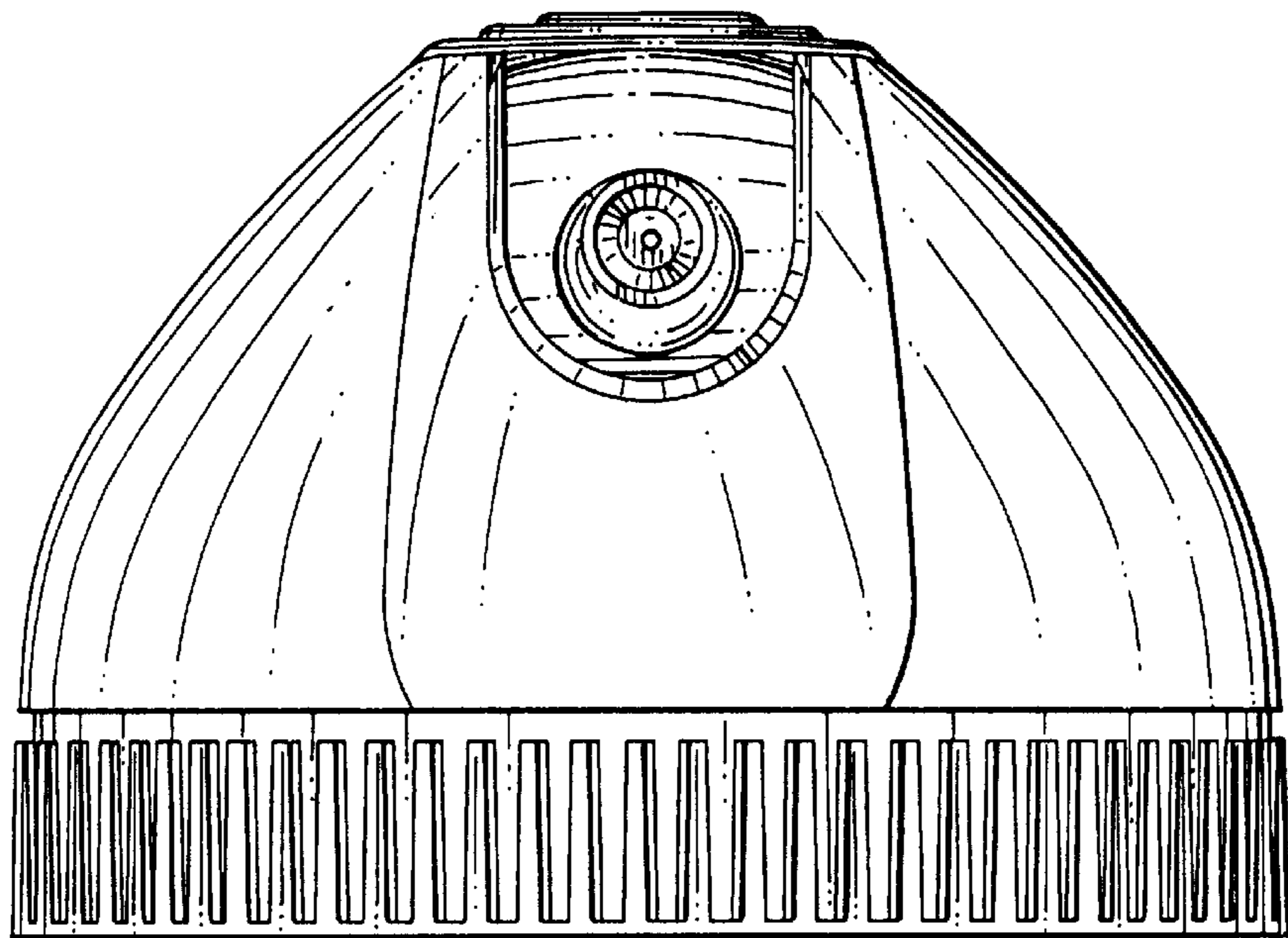


FIG.4

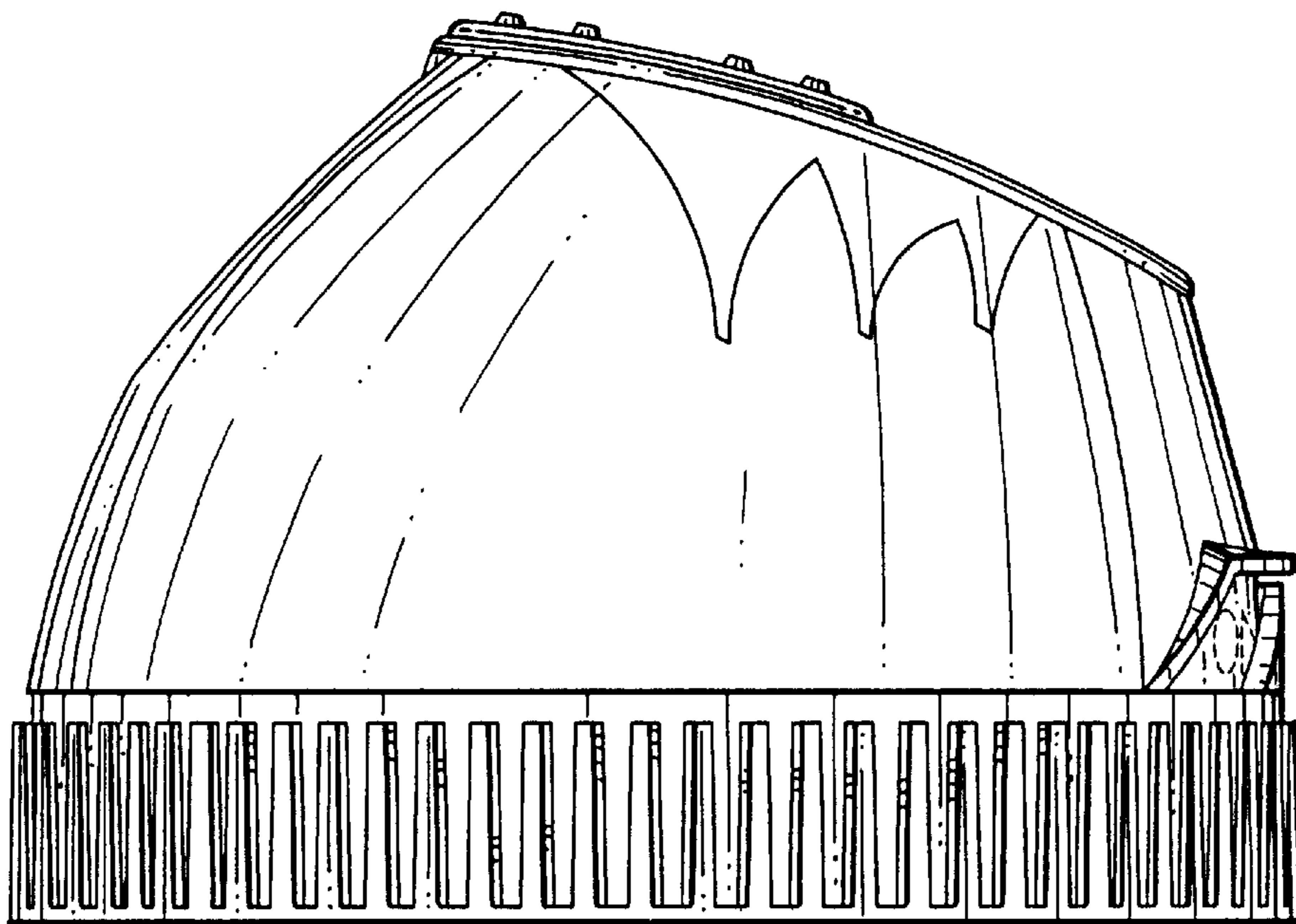


FIG.5

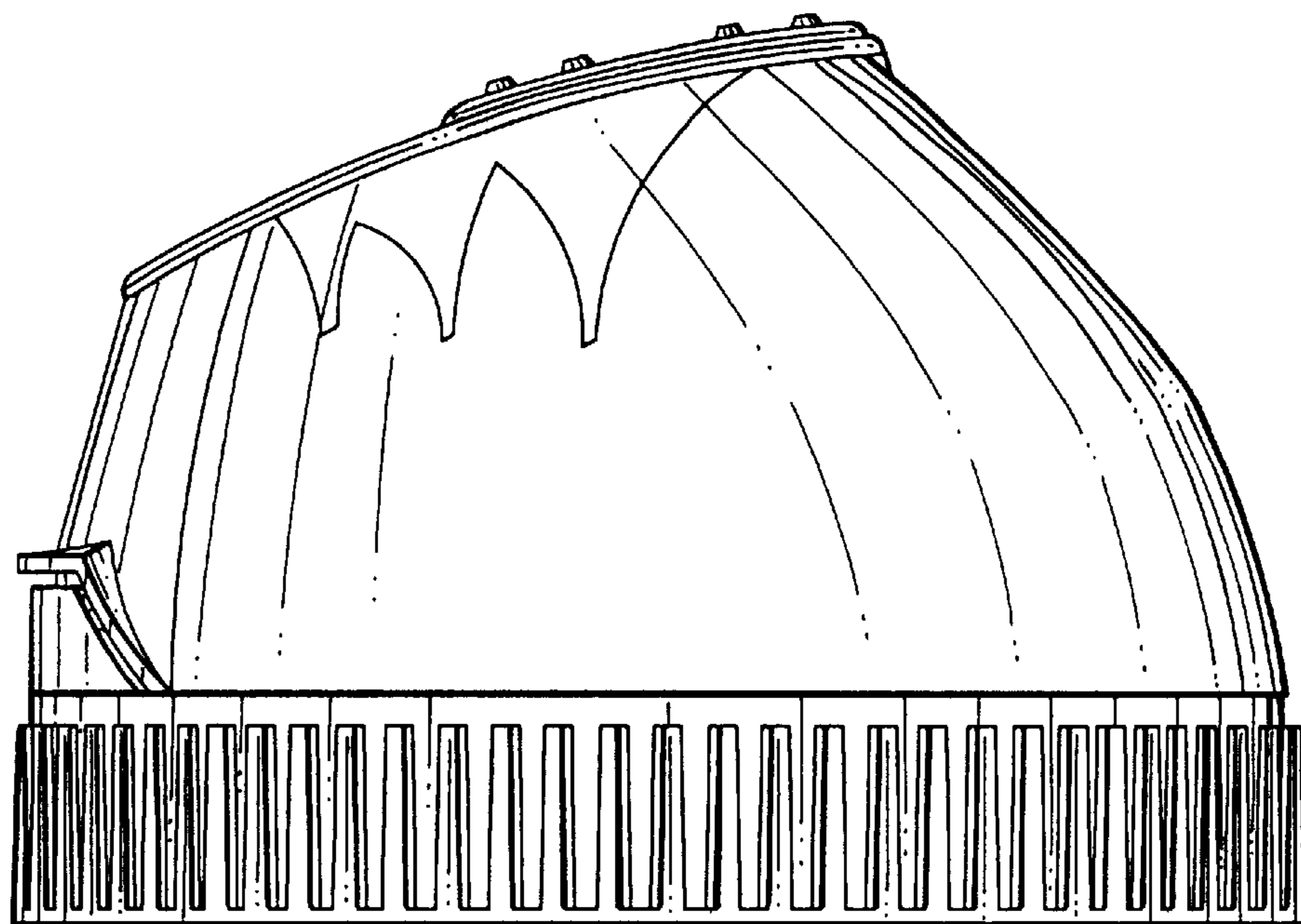


FIG.6

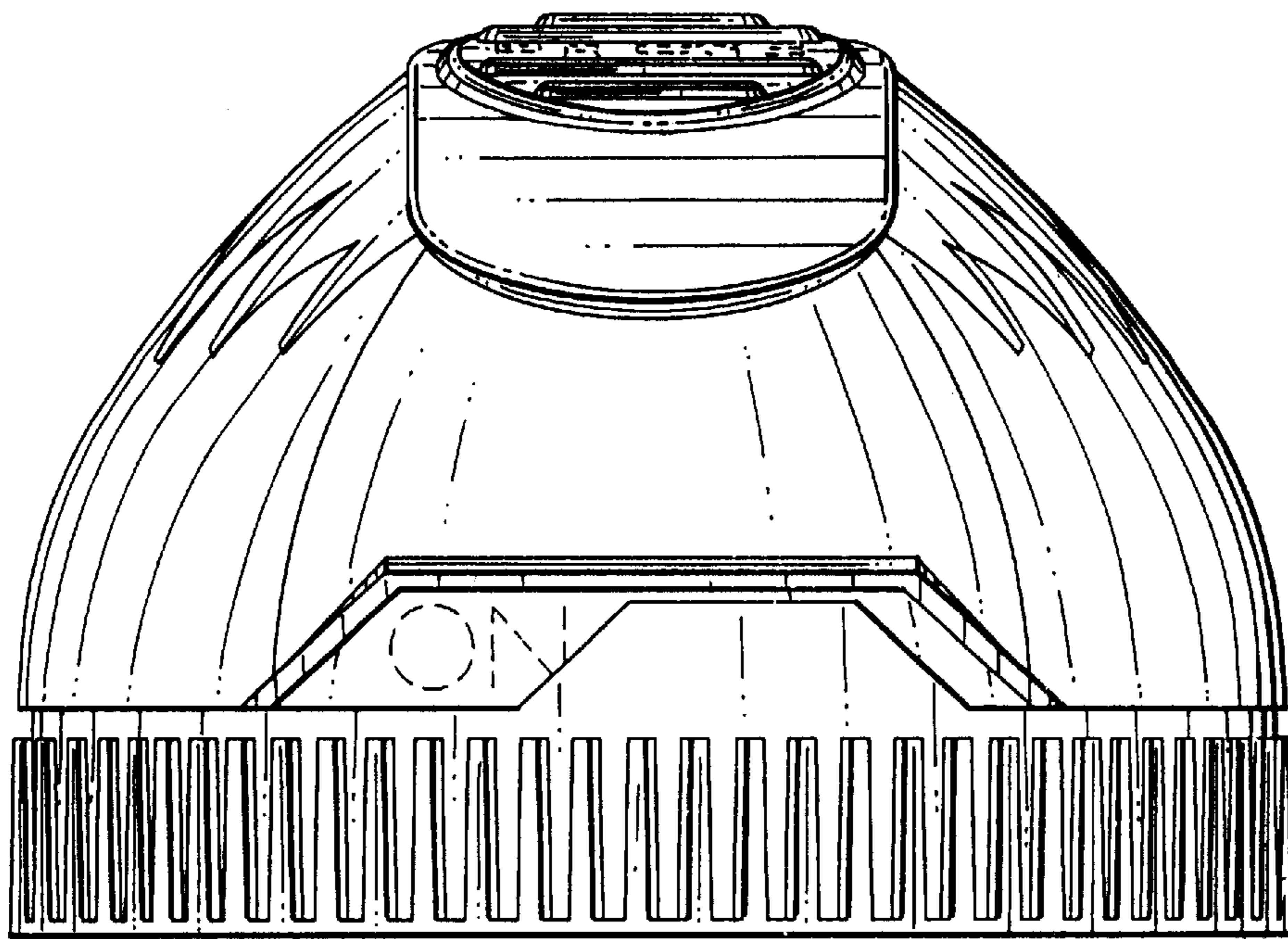


FIG.7