



US00D537714S

(12) **United States Design Patent**
Yerby et al.

(10) **Patent No.:** **US D537,714 S**
(45) **Date of Patent:** **** Mar. 6, 2007**

(54) **COMBINED DISPENSER AND PROTECTIVE HOOD**

(75) Inventors: **Patrick Timothy Yerby**, Woodstock, IL (US); **Craig A. Braun**, Elgin, IL (US); **Jeffrey S. Danek**, Algonquin, IL (US); **Jonathan D. Werner**, Algonquin, IL (US)

(73) Assignee: **Seaquist Perfect Dispensing Foreign, Inc.**, Cary, IL (US)

(**) Term: **14 Years**

(21) Appl. No.: **29/193,543**

(22) Filed: **Nov. 11, 2003**

Related U.S. Application Data

(63) Continuation of application No. 29/169,640, filed on Oct. 24, 2002, now abandoned.

(51) **LOC (8) Cl.** **09-07**

(52) **U.S. Cl.** **D9/448; D9/445; D9/449**

(58) **Field of Classification Search** D9/435, D9/445, 444, 447, 455, 450, 468; 220/256.1, 220/705, 717, 915; 222/402.11, 591, 153.1, 222/153.13, 153.14, 321.3; 239/288.5, 337
See application file for complete search history.

(56) **References Cited**

U.S. PATENT DOCUMENTS

2,775,372 A	12/1956	Jordan	
D192,890 S	* 5/1962	Smith et al. D9/450
3,049,263 A	8/1962	Edelstone et al. 220/214
3,565,295 A	2/1971	Doyle	
3,627,160 A	12/1971	Horvath	
3,661,300 A	5/1972	Nigro 222/80
4,170,316 A	10/1979	LaBarbera	
4,542,837 A	9/1985	Rayner 222/402.11
4,576,315 A	3/1986	Vitale 222/153.1
4,694,968 A	9/1987	Proctor et al.	

4,773,567 A	9/1988	Stoody 222/153.11
4,901,891 A	2/1990	Goncalves	
4,969,584 A	11/1990	Joulia 222/402.11
D315,101 S	3/1991	Goldstein et al.	
5,038,964 A	8/1991	Bouix 222/153.04
5,040,694 A	8/1991	Gambello 220/255

(Continued)

Primary Examiner—Robert M. Spear

Assistant Examiner—Susan Bennett Hattan

(74) *Attorney, Agent, or Firm*—Frijouf, Rust & Pyle P.A.

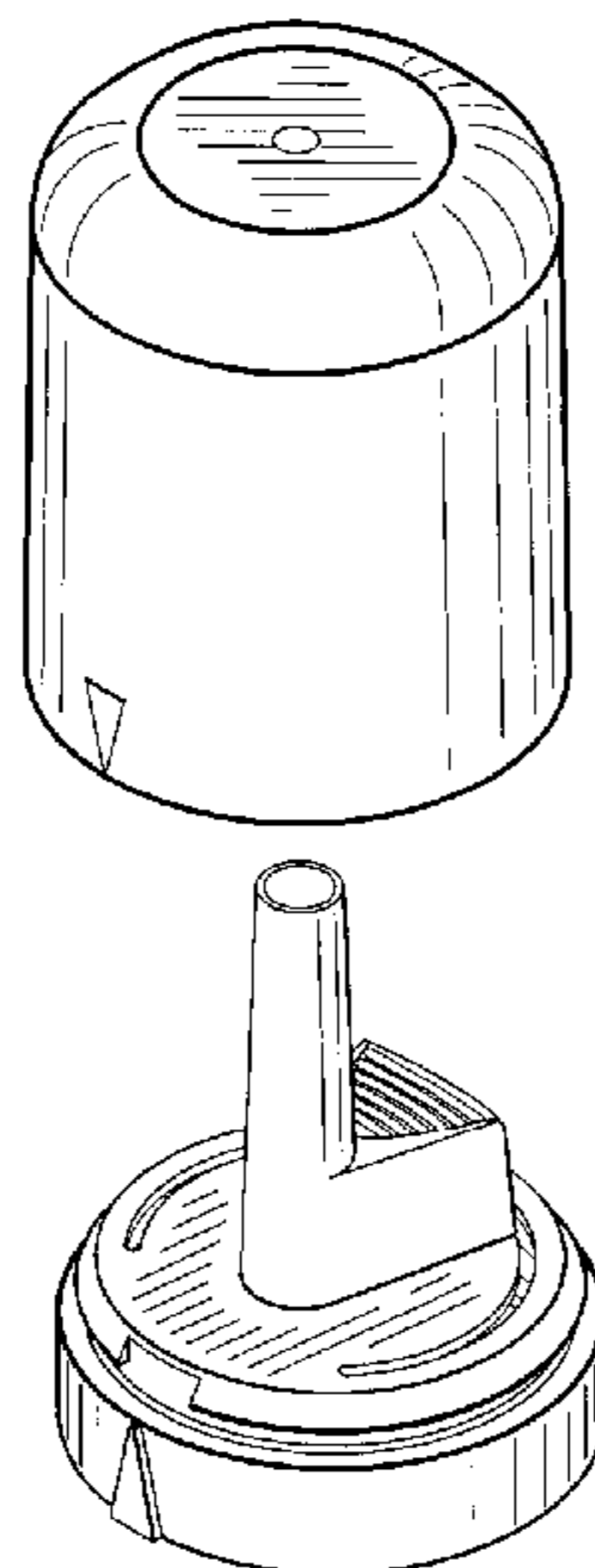
(57) **CLAIM**

The ornamental design for a combined dispenser and protective hood, as shown and described.

DESCRIPTION

FIG. 1 is a perspective view of my new design for a combined dispenser and protective hood;
 FIG. 2 is an exploded view of FIG. 1;
 FIG. 3 is an enlarged perspective view of the dispenser portion of the combined dispenser and protective hood of FIG. 1;
 FIG. 4 is a sectional view along line 4—4 in FIG. 3;
 FIG. 5 is a front view thereof;
 FIG. 6 is a rear view thereof;
 FIG. 7 is a top view thereof.
 FIG. 8 is a bottom view thereof;
 FIG. 9 is a right side view thereof;
 FIG. 10 is a left side view thereof;
 FIG. 11 is an enlarged perspective view of the protective hood portion of the combined protective hood of FIG. 1;
 FIG. 12 is a sectional view along line 12—12 in FIG. 11;
 FIG. 13 is a front view thereof;
 FIG. 14 is a rear view thereof;
 FIG. 15 is a top view thereof.
 FIG. 16 is a bottom view thereof;
 FIG. 17 is a right side view thereof; and,
 FIG. 18 is a left side view thereof.

1 Claim, 9 Drawing Sheets



US D537,714 S

Page 2

U.S. PATENT DOCUMENTS

5,292,017 A	3/1994	Reifers		5,947,345 A	9/1999	Hofmann	
5,316,162 A	5/1994	Pierson	215/223	6,073,810 A	6/2000	Long	
5,358,129 A	10/1994	Watts		D438,110 S	2/2001	Dailey et al.	
5,397,008 A	3/1995	Glynn	215/225	6,196,423 B1 *	3/2001	Erleben	222/153.1
D364,811 S	12/1995	Zimmerhackel et al.		D445,682 S	7/2001	Michael et al.	
5,520,305 A	5/1996	Pierson	220/727	D456,256 S	4/2002	Paczosa	
5,649,645 A	7/1997	Demarest et al.	222/153.07	6,405,904 B1	6/2002	De La Forcade	
5,915,599 A	6/1999	Takahashi	222/402.13	D460,357 S	7/2002	Kras et al.	

* cited by examiner

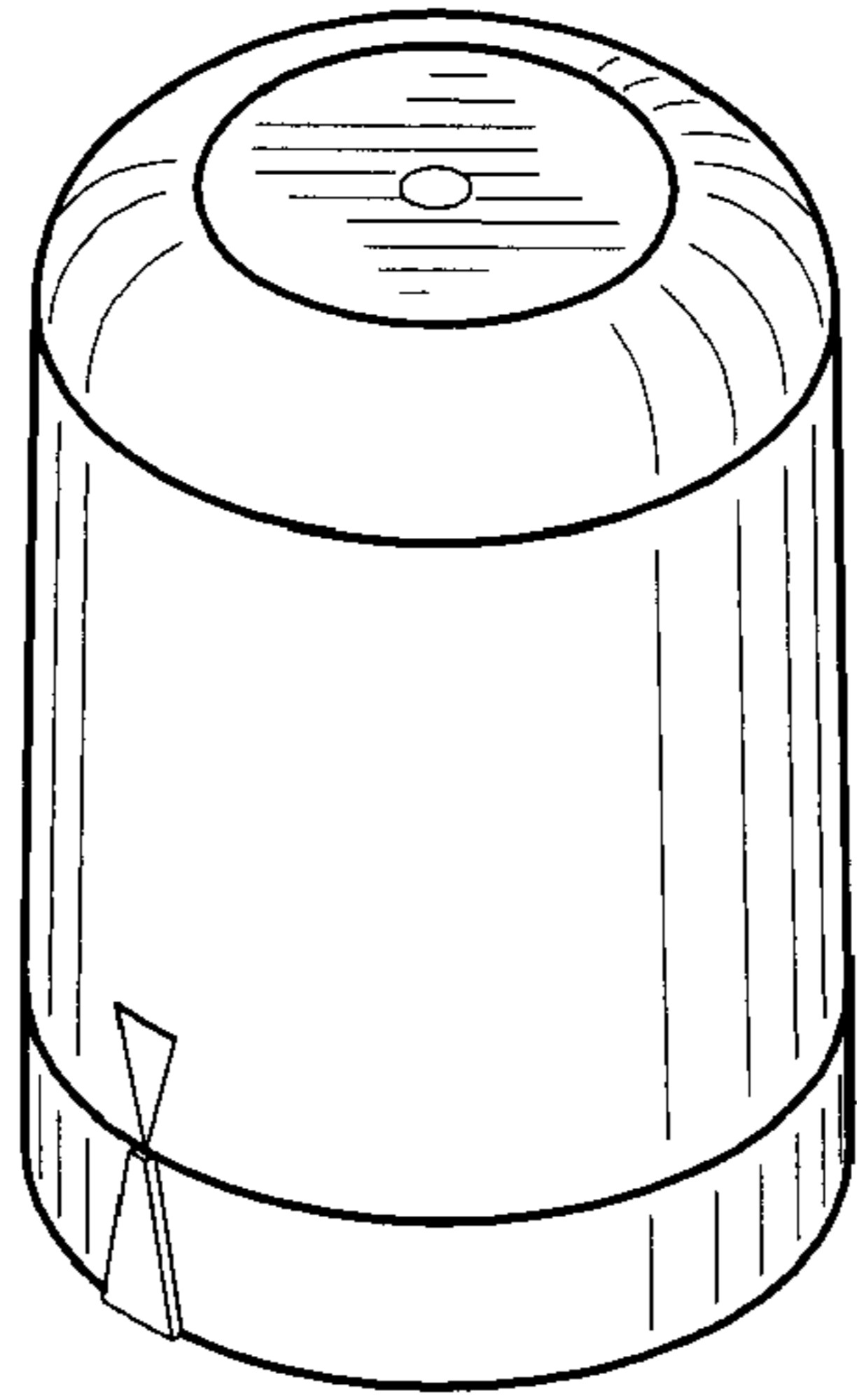
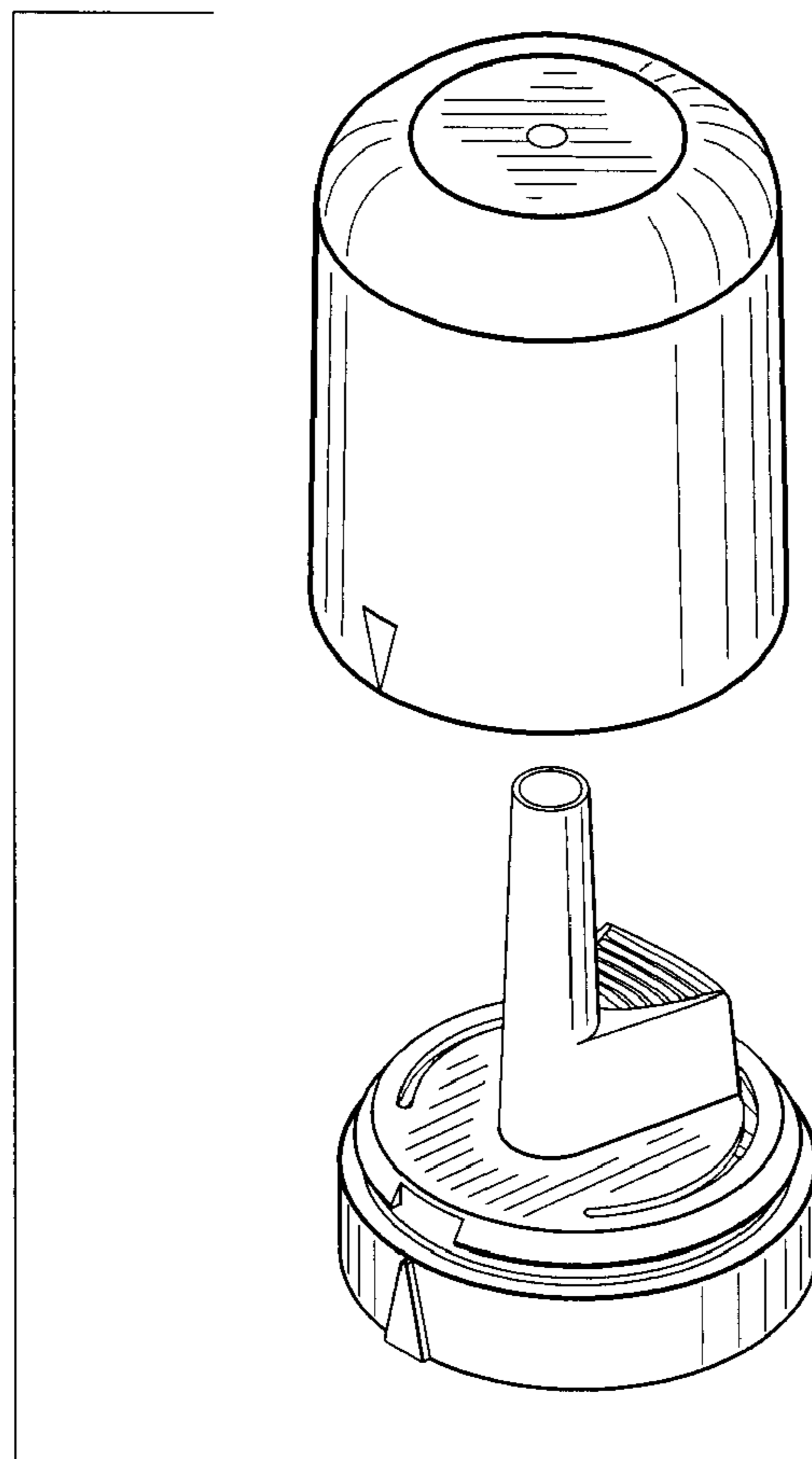


FIG. 1

FIG. 2



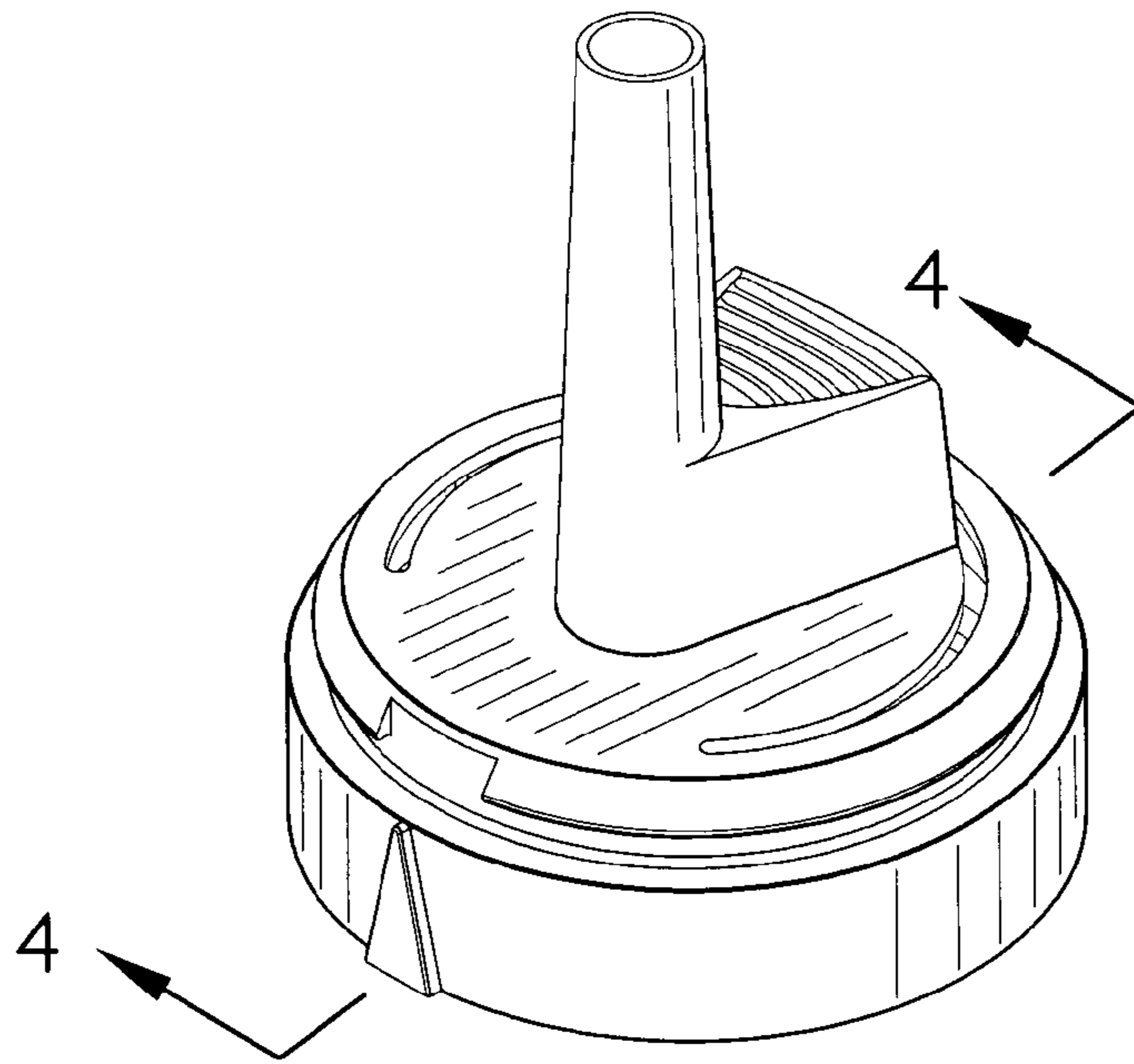


FIG. 3

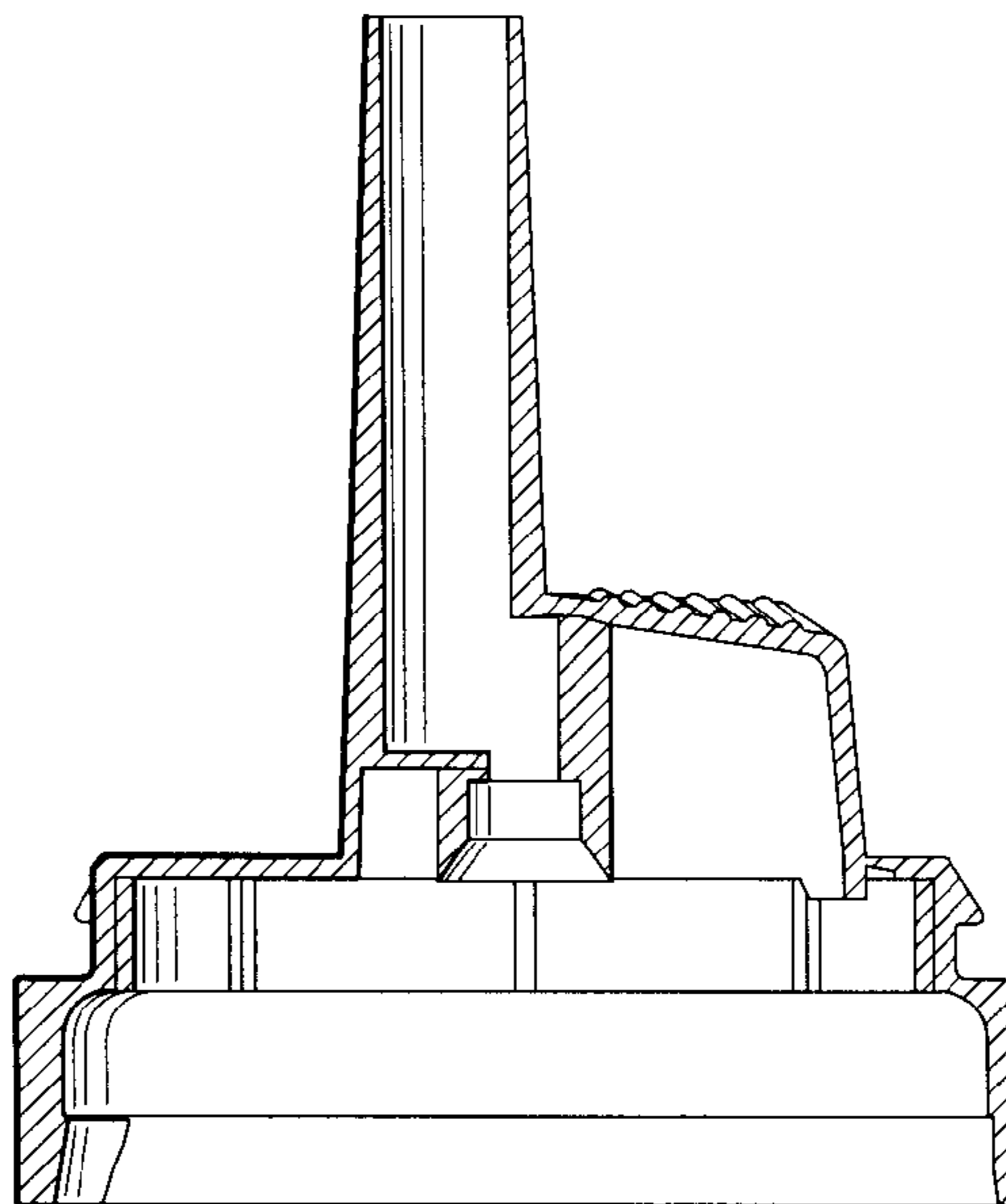


FIG. 4

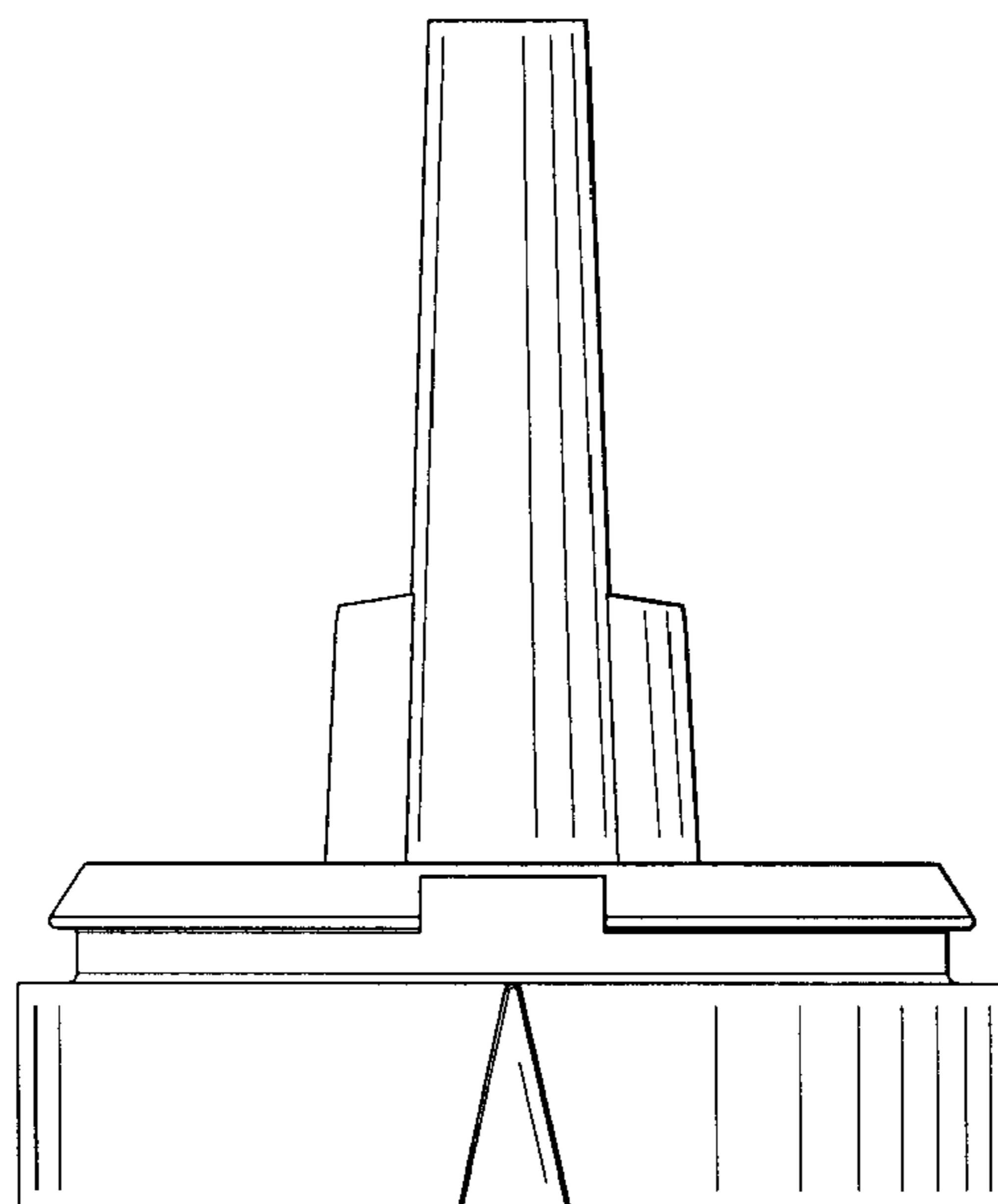


FIG. 5

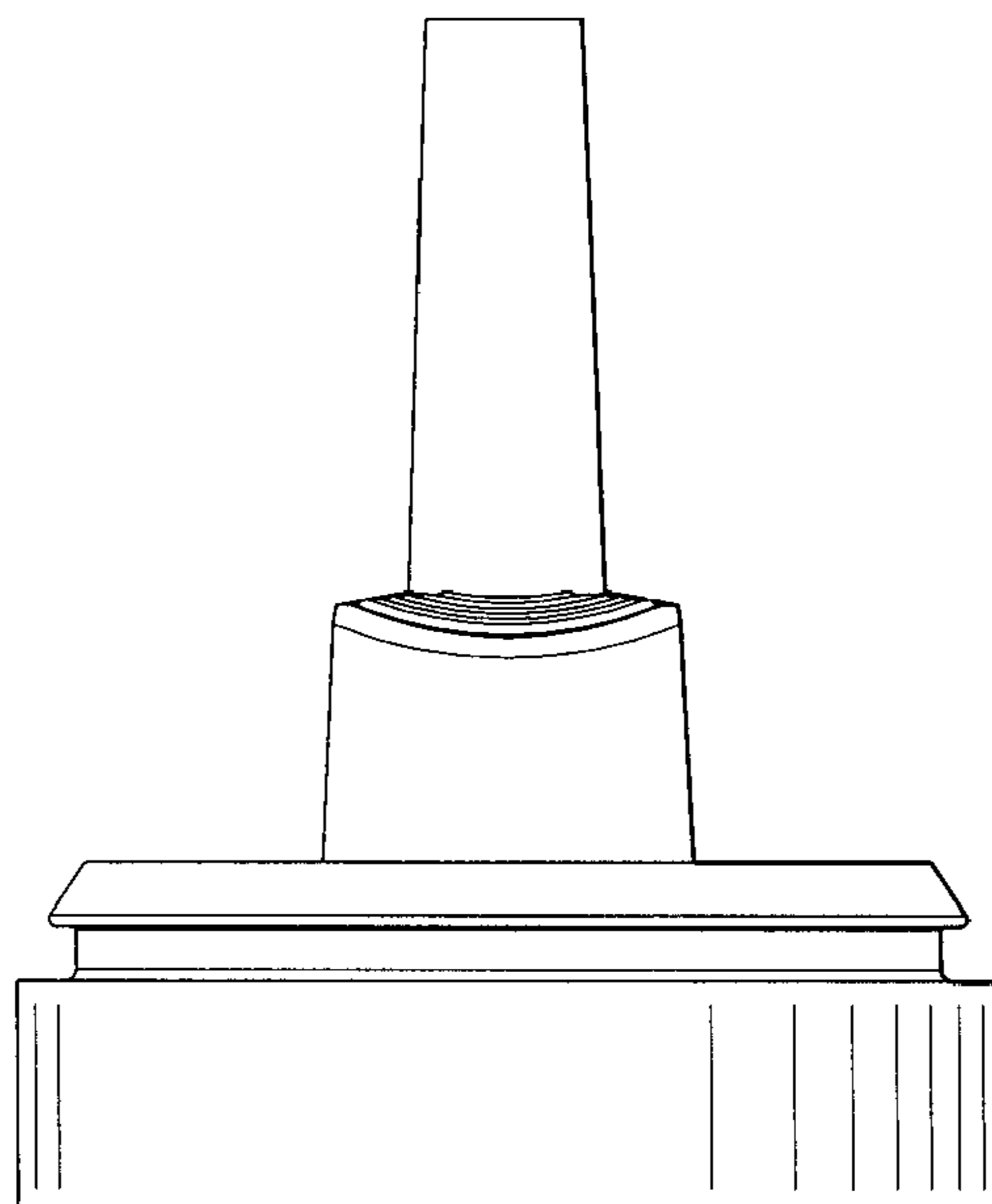


FIG. 6

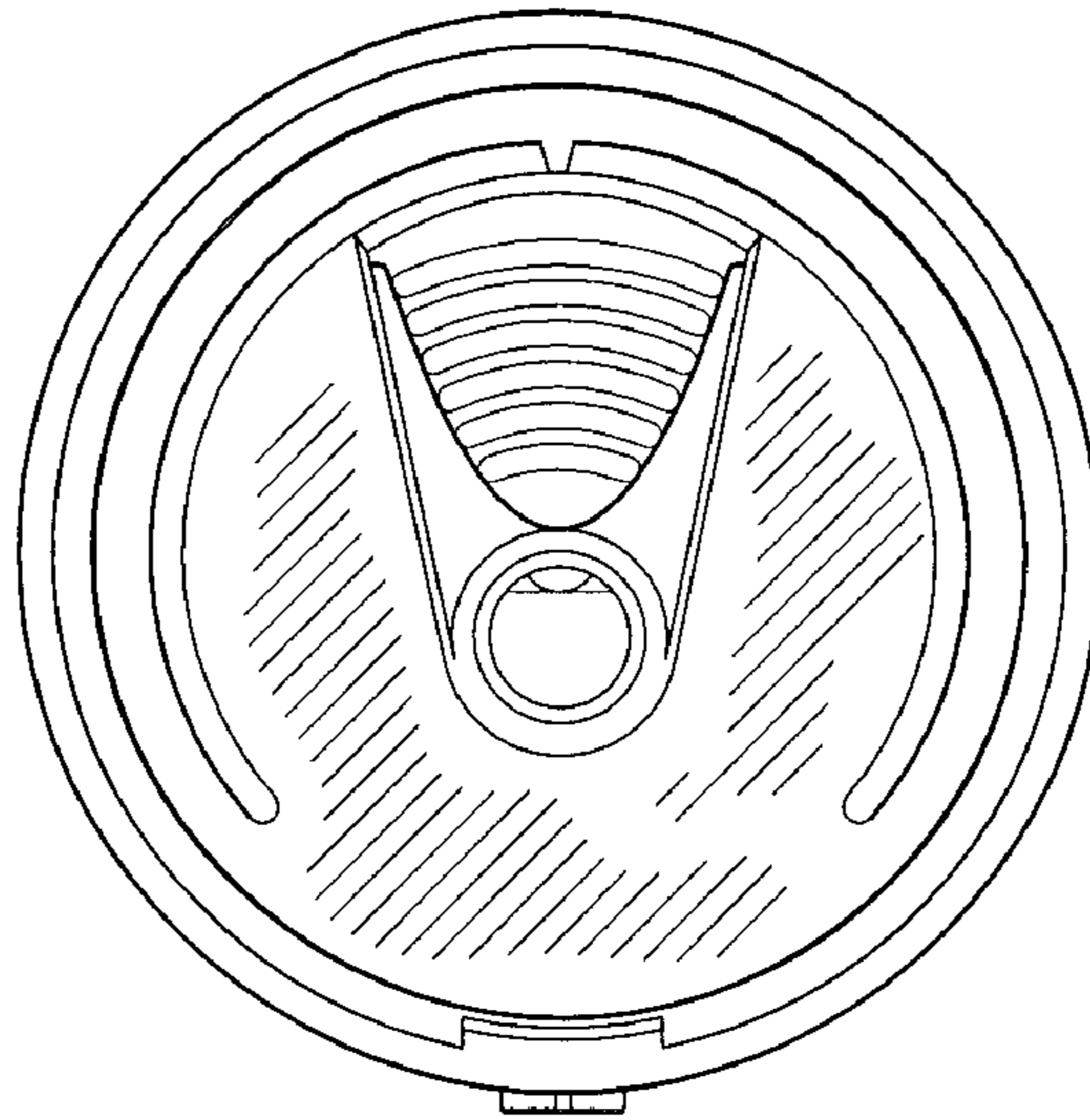


FIG. 7

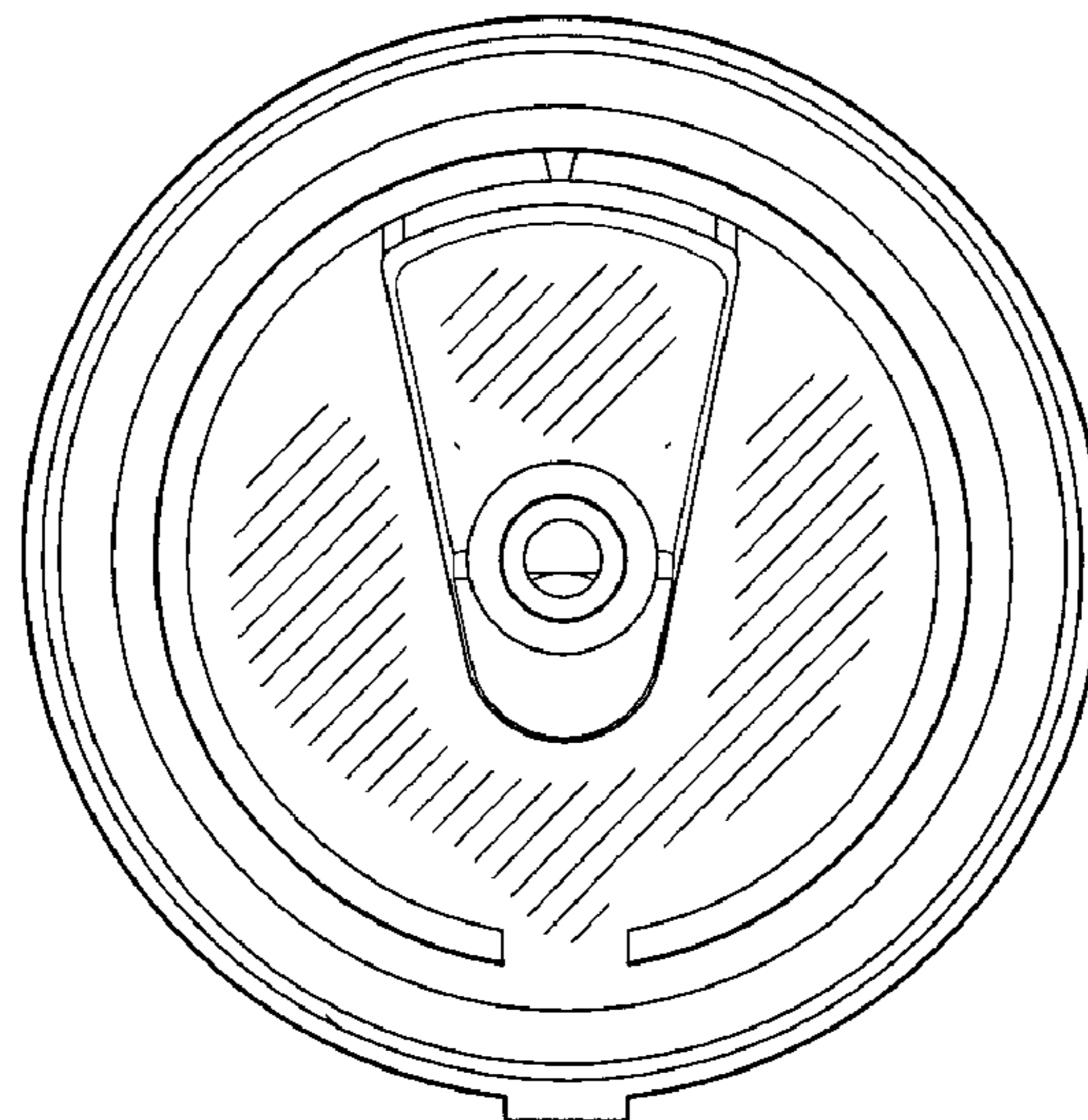


FIG. 8

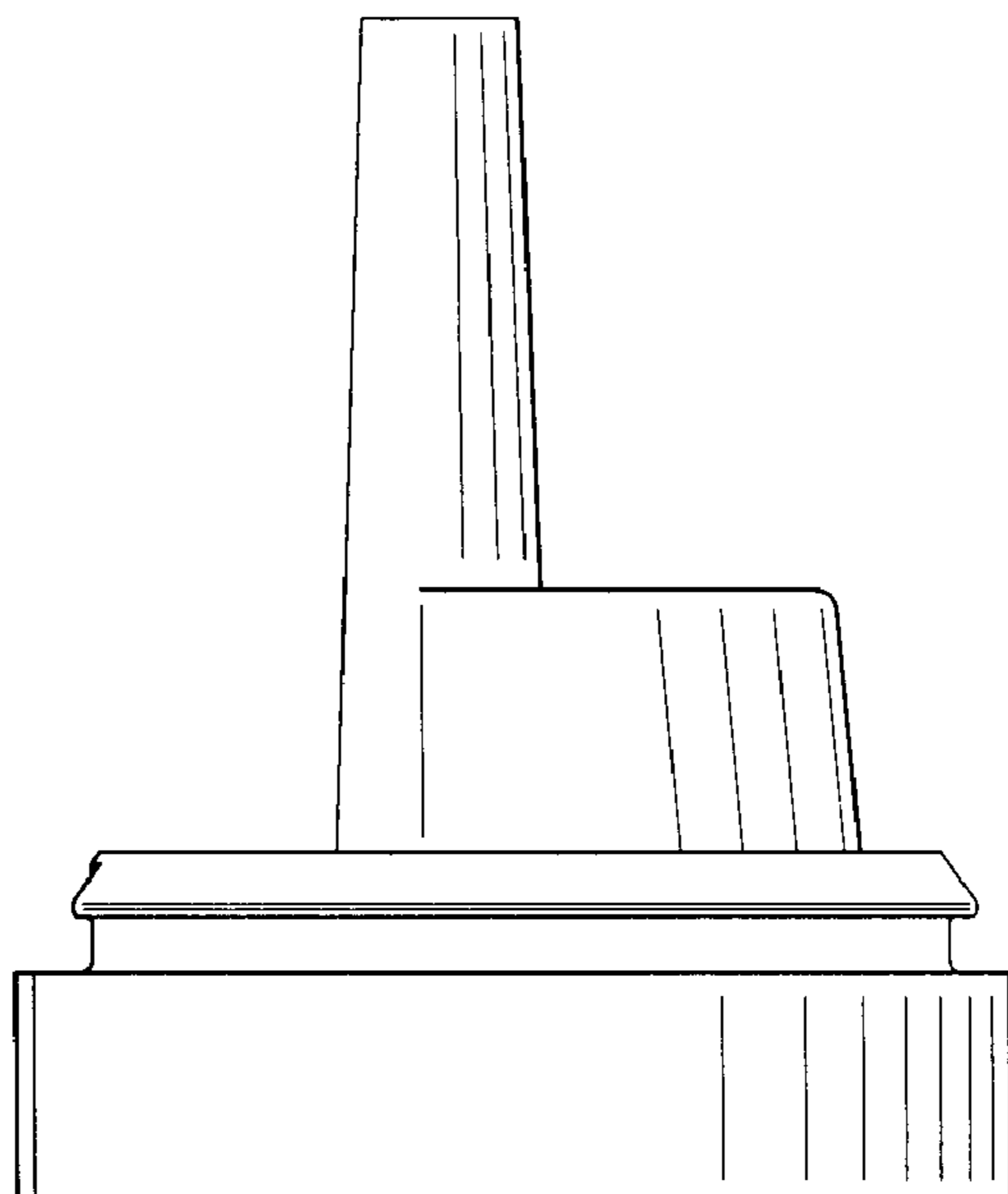


FIG. 9

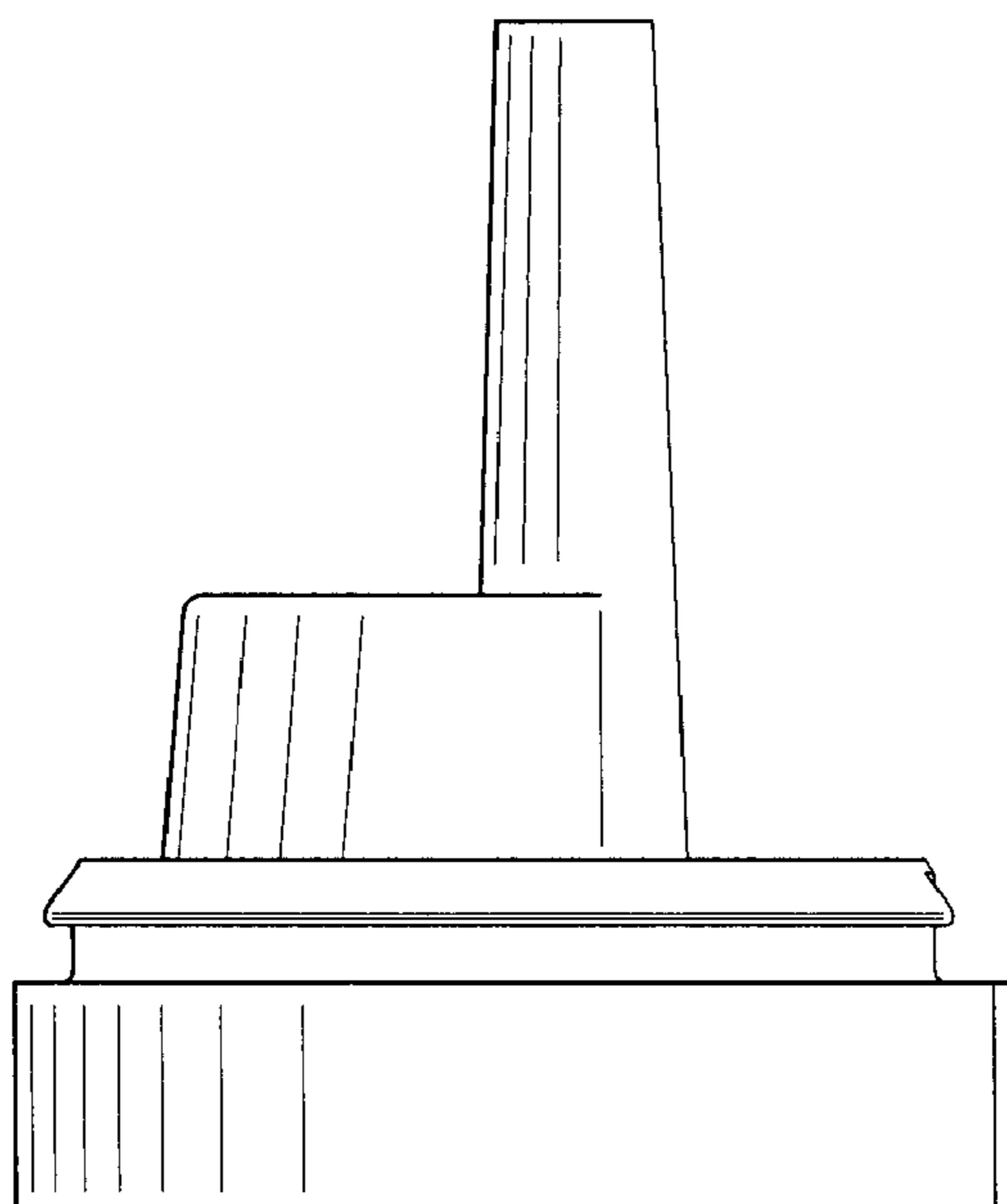


FIG. 10

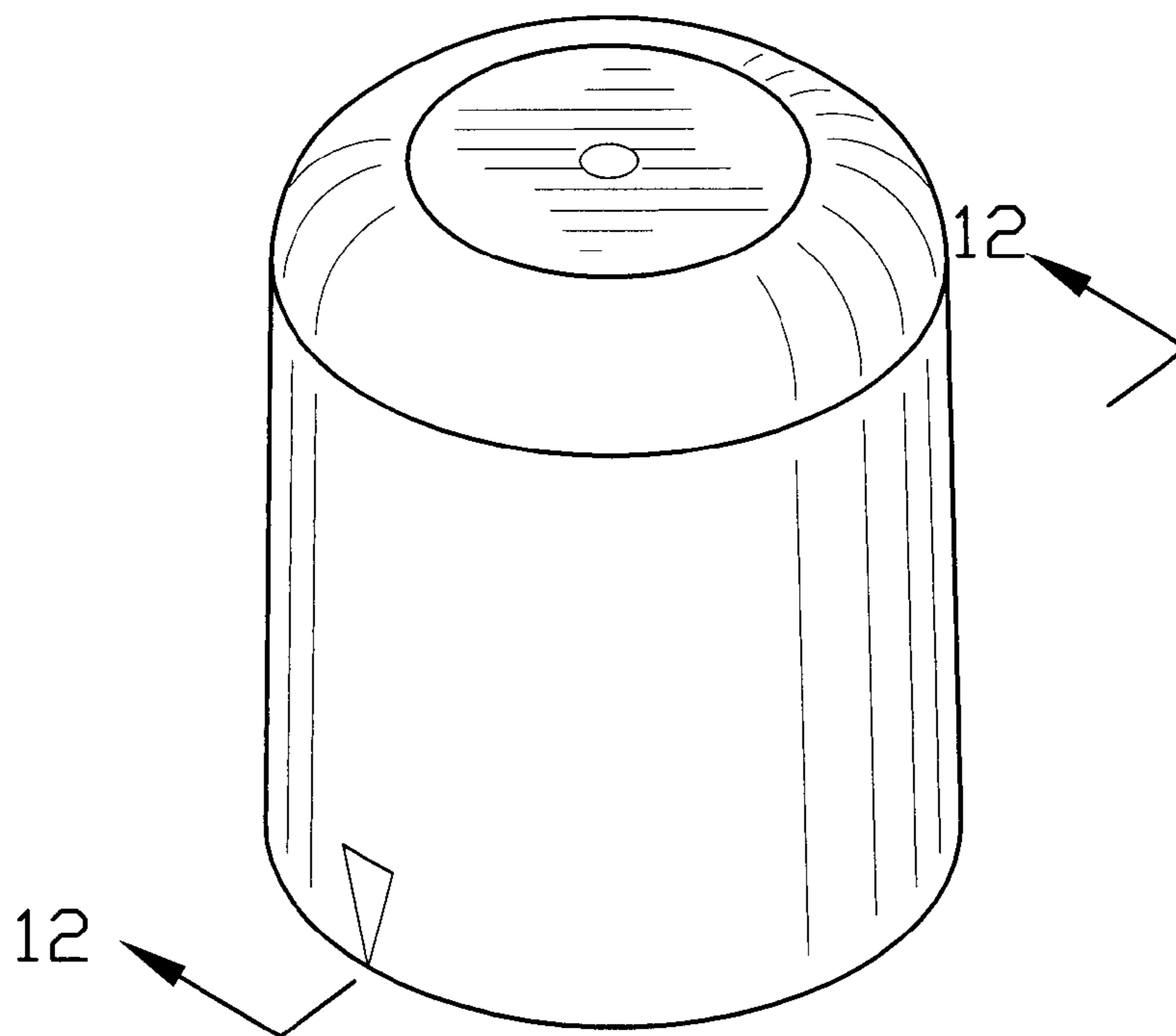


FIG. 11

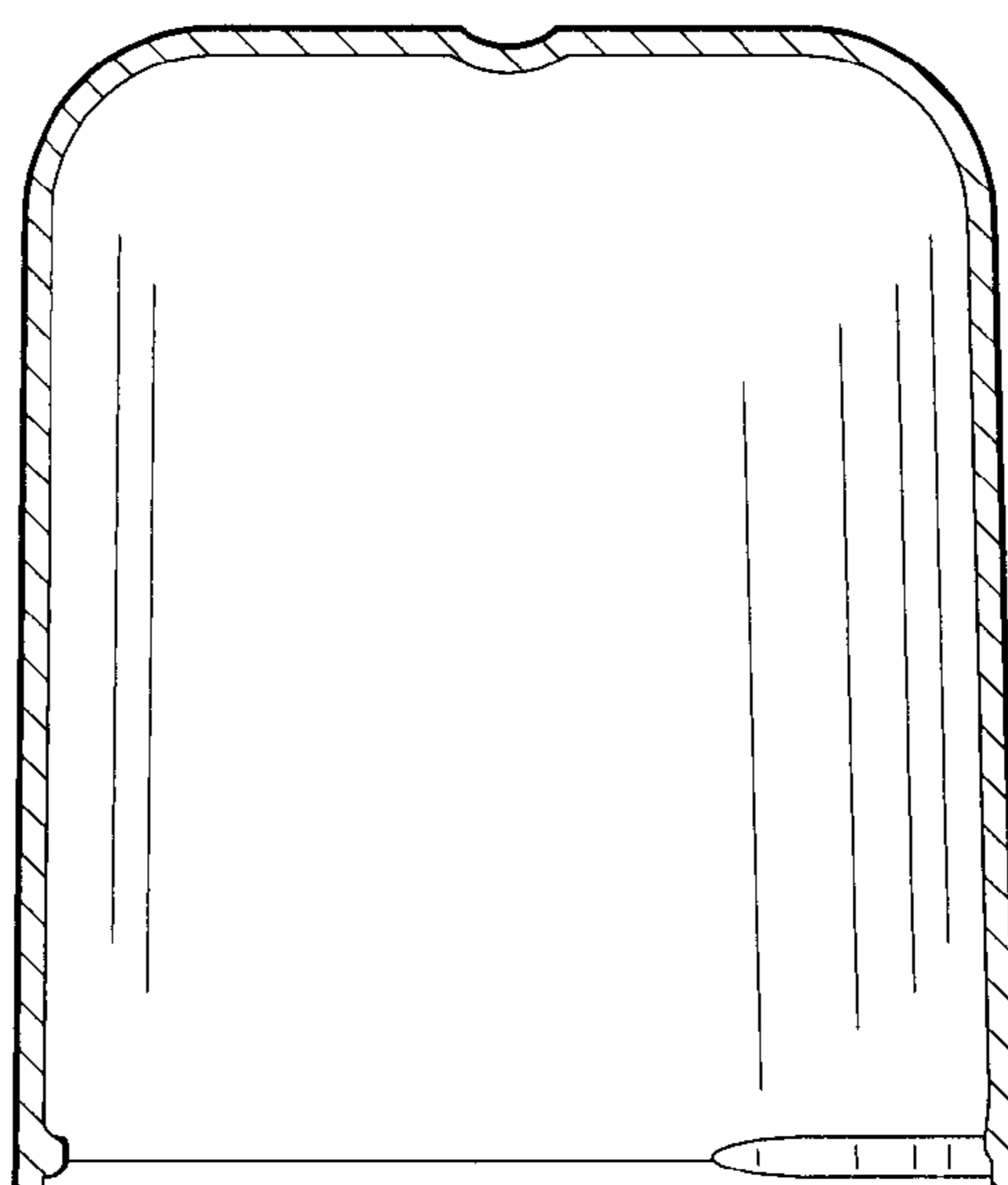


FIG. 12

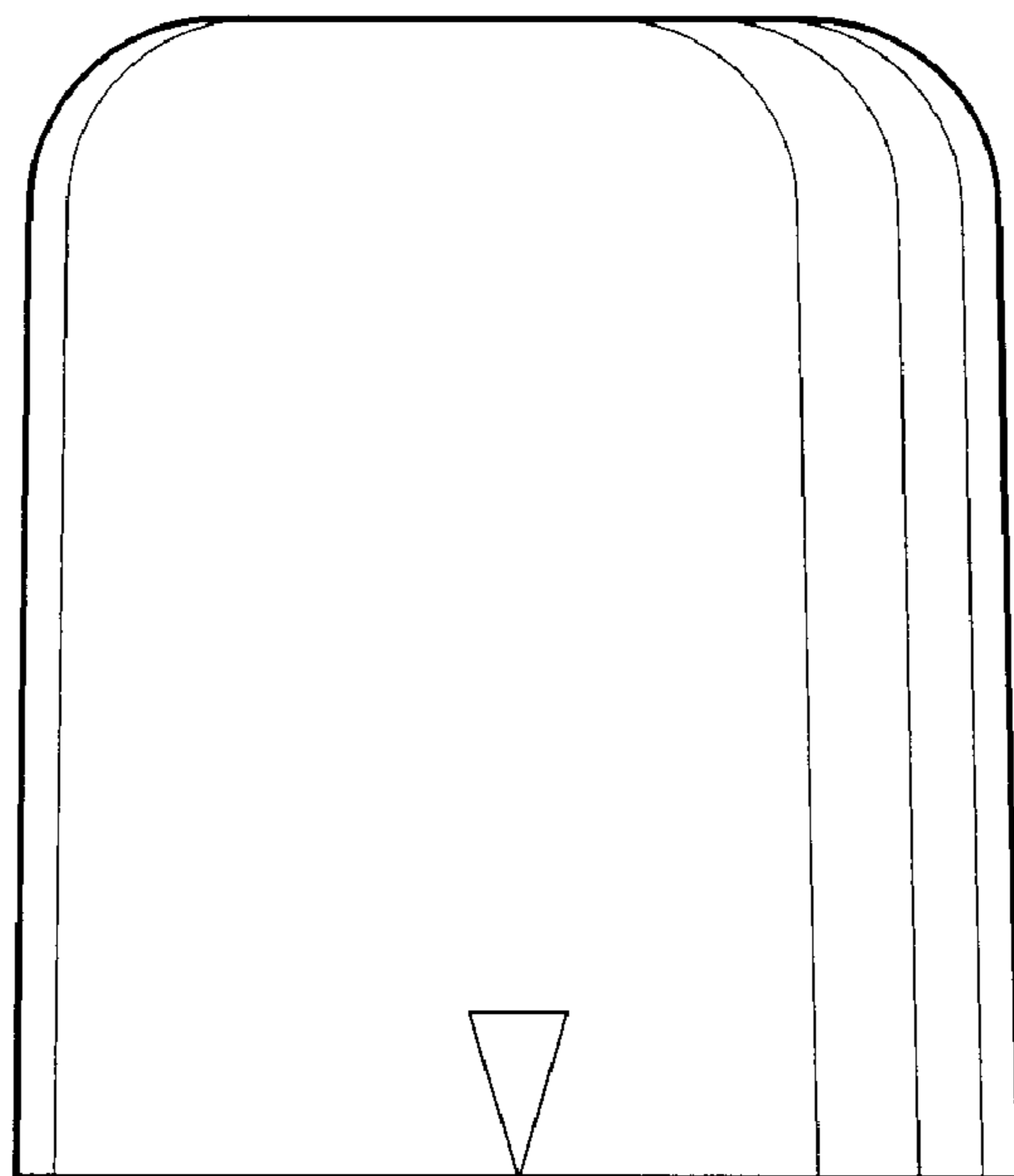


FIG. 13

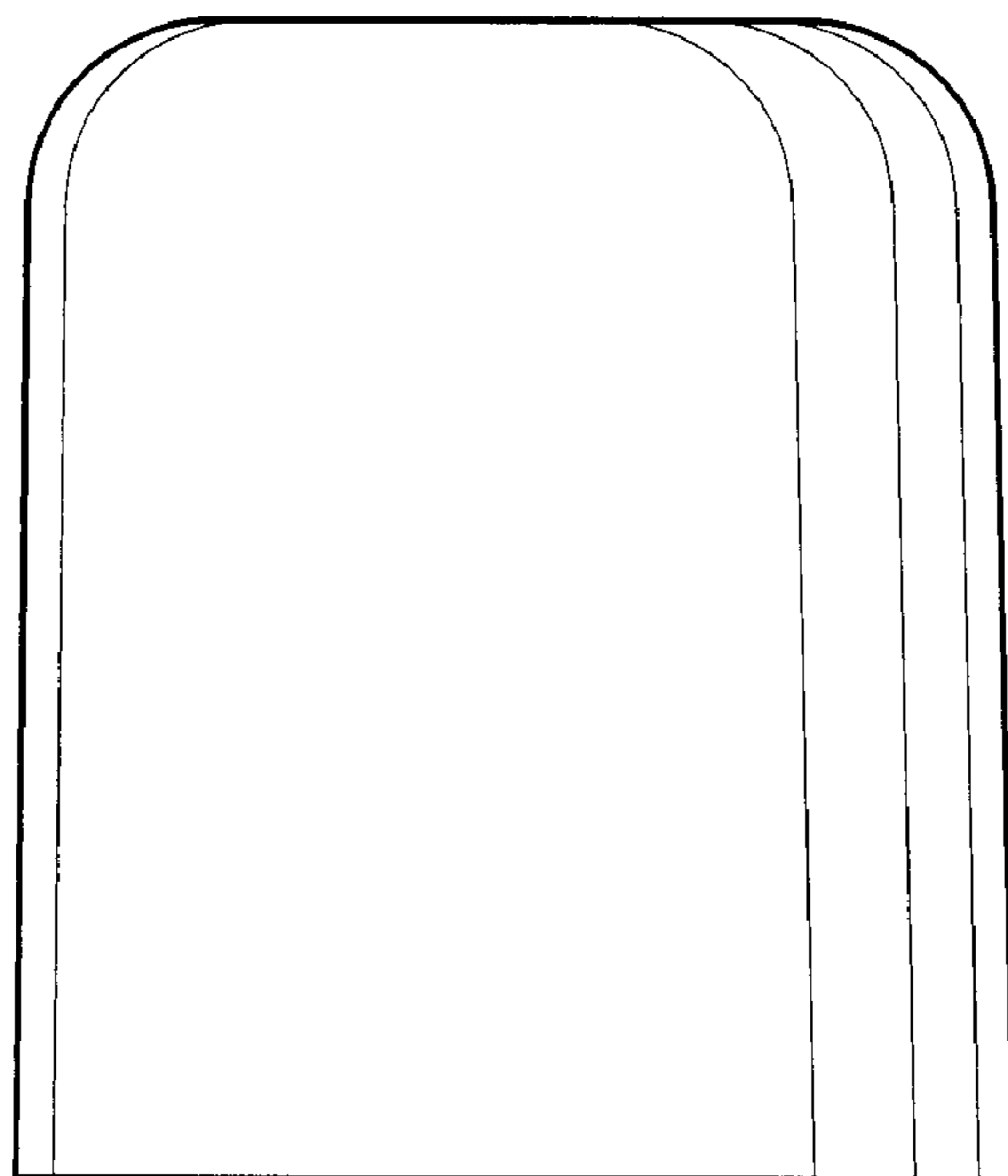


FIG. 14

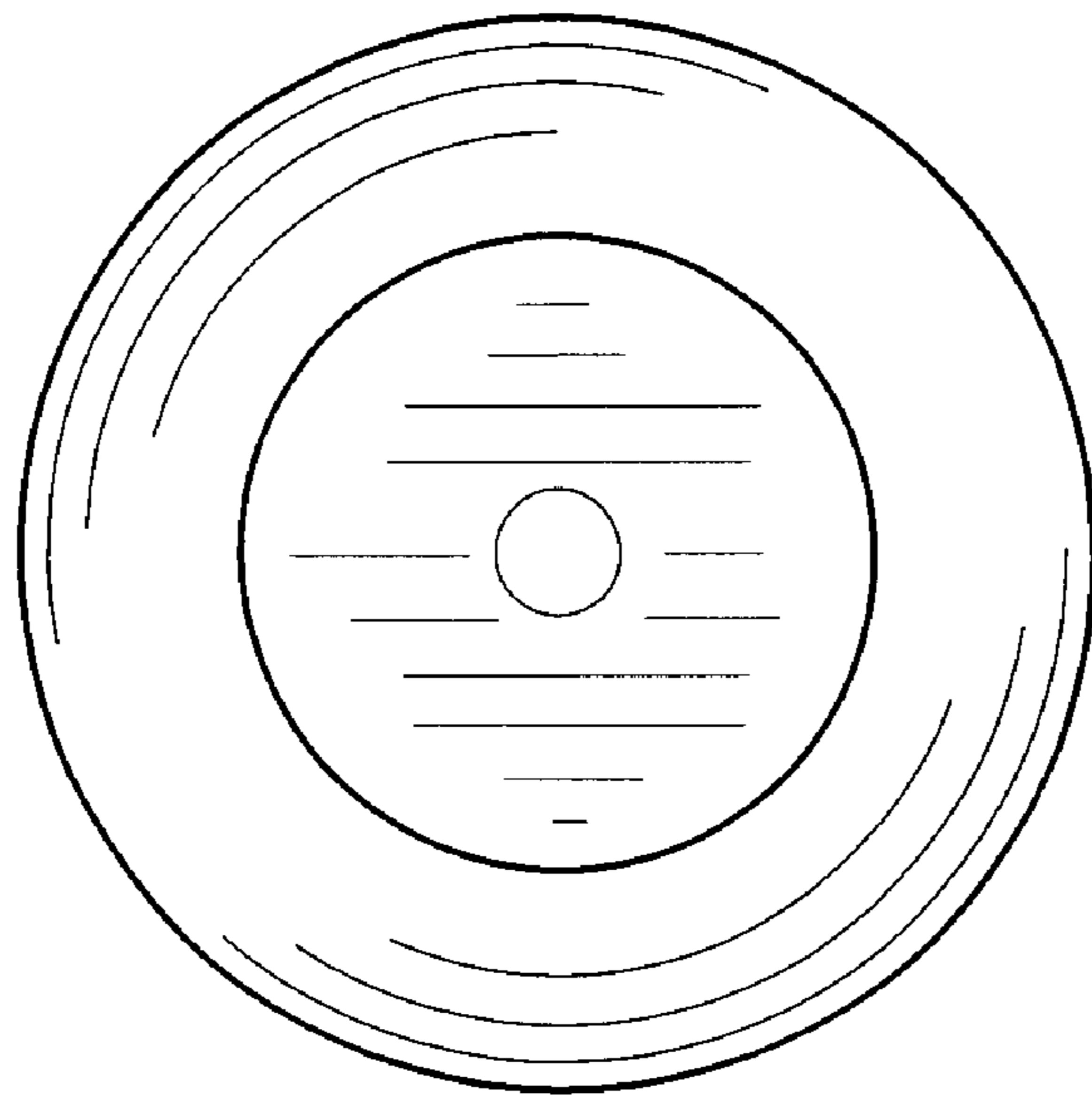


FIG. 15

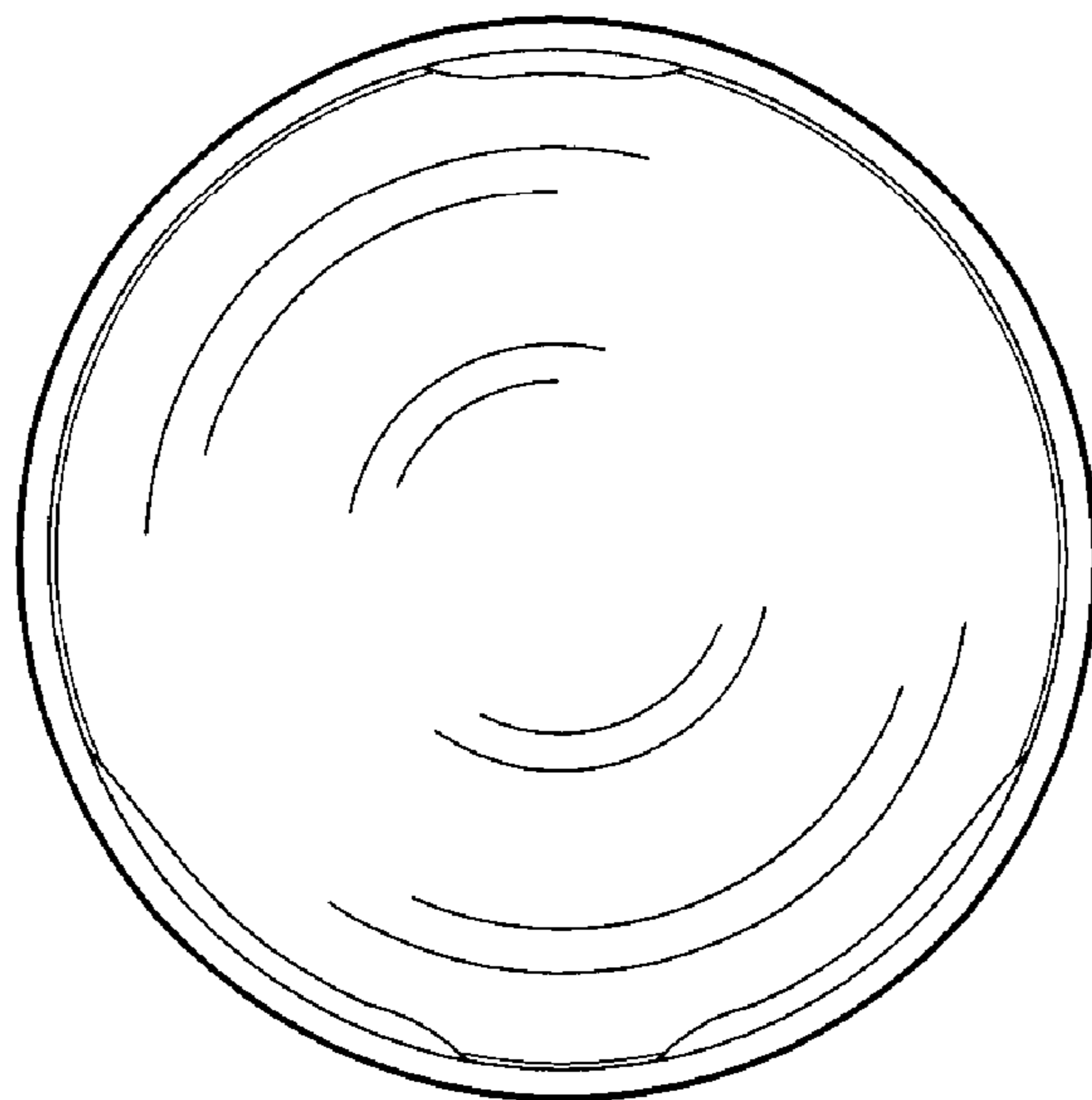


FIG. 16

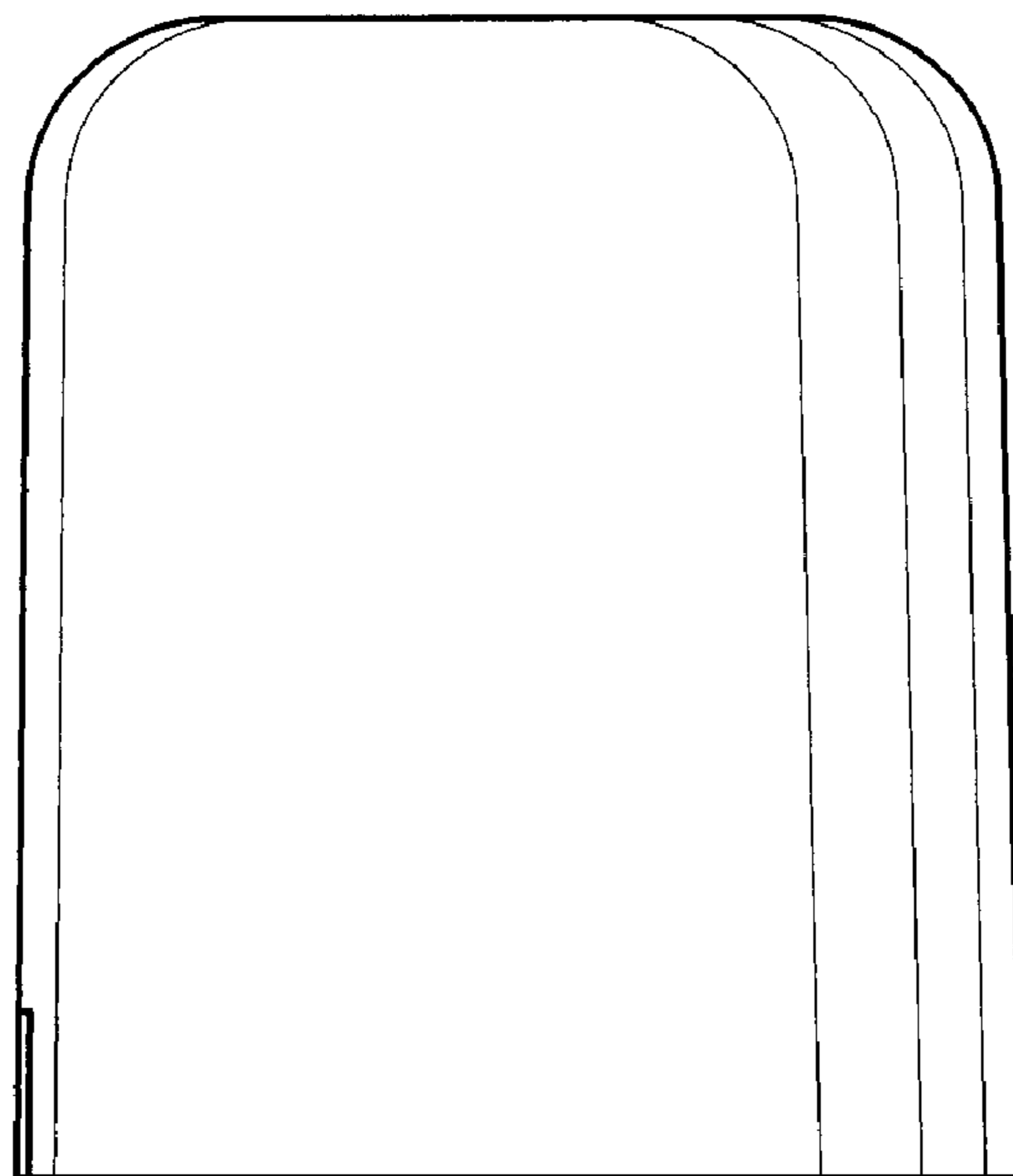


FIG. 17

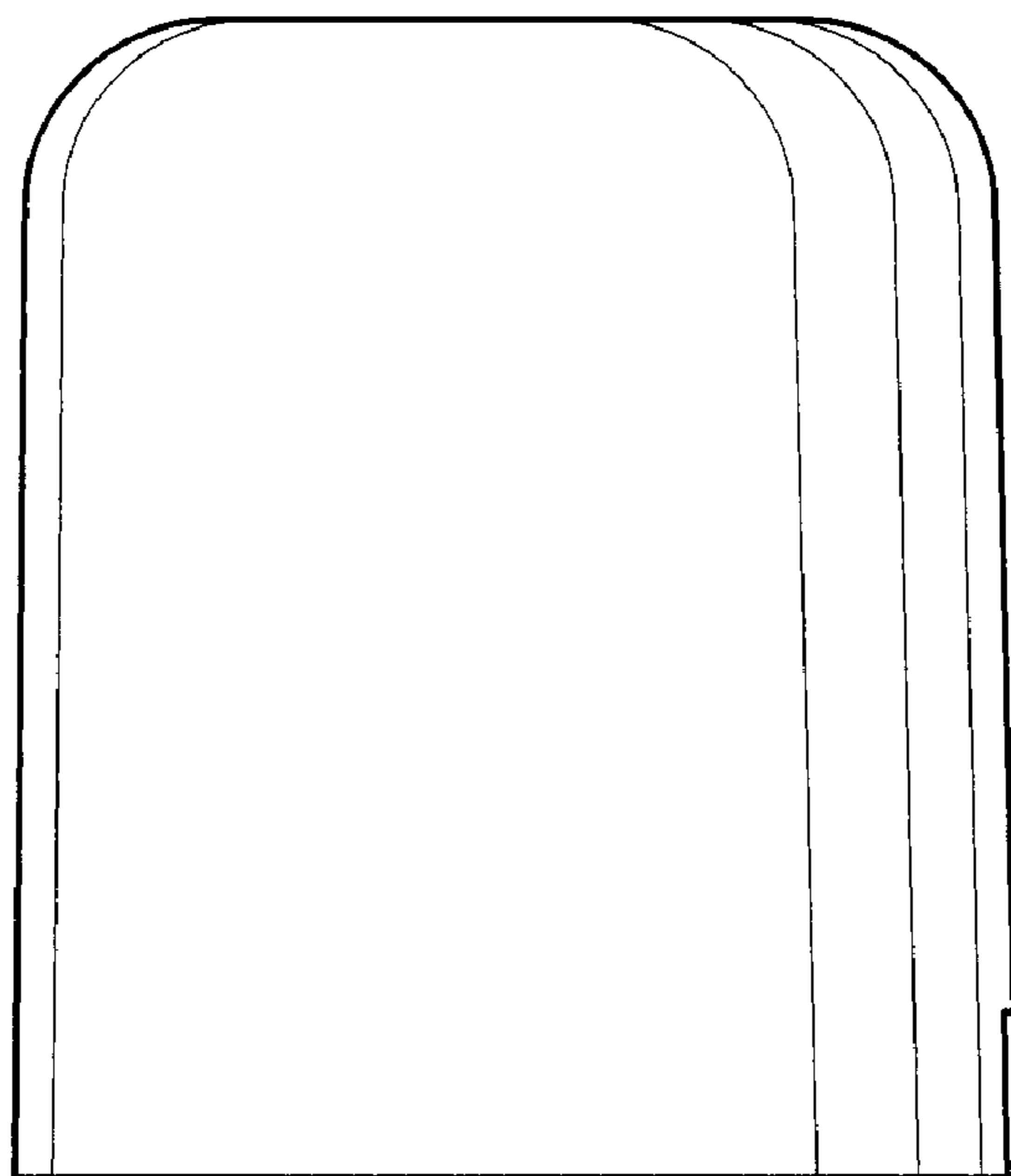


FIG. 18