



US00D537706S

(12) **United States Design Patent**
Ly Hau et al.

(10) **Patent No.:** **US D537,706 S**

(45) **Date of Patent:** **** Mar. 6, 2007**

(54) **SMALL CANTILEVER MOUNT FOR A FLAT PANEL DISPLAY**

(75) Inventors: **Flavio Ly Hau**, Tempe, AZ (US); **Brett Stenhouse**, Phoenix, AZ (US); **Zachary Eyman**, Phoenix, AZ (US); **Korry Hoglan**, Phoenix, AZ (US); **David Anderson**, Mesa, AZ (US); **Tom Muday**, Scottsdale, AZ (US); **Vivek Jayaprakasan**, Tempe, AZ (US)

(73) Assignee: **Omnimount Systems, Inc.**, Phoenix, AZ (US)

(**) Term: **14 Years**

(21) Appl. No.: **29/235,617**

(22) Filed: **Aug. 3, 2005**

(51) **LOC (8) Cl.** **08-05**

(52) **U.S. Cl.** **D8/363**

(58) **Field of Classification Search** D8/363,
D8/380, 373; D14/451-452, 214, 224; 403/83;
248/390.1, 279.1, 280.11, 284.1
See application file for complete search history.

(56) **References Cited**

U.S. PATENT DOCUMENTS

D494,183 S * 8/2004 Wills et al. D14/452

D496,367 S * 9/2004 Pfister D14/451
2002/0011544 A1 * 1/2002 Bosson 248/121
2004/0011932 A1 * 1/2004 Duff 248/157

* cited by examiner

Primary Examiner—Holly H. Baynham

(74) *Attorney, Agent, or Firm*—Hogan & Hartson LLP

(57) **CLAIM**

The ornamental design for a small cantilever mount for a flat panel display, as shown and described.

DESCRIPTION

FIG. 1 is a top, right isometric view of an embodiment of a small cantilever mount for a flat panel display showing our design.

FIG. 2 is a front elevational view thereof.

FIG. 3 is a rear elevational view thereof.

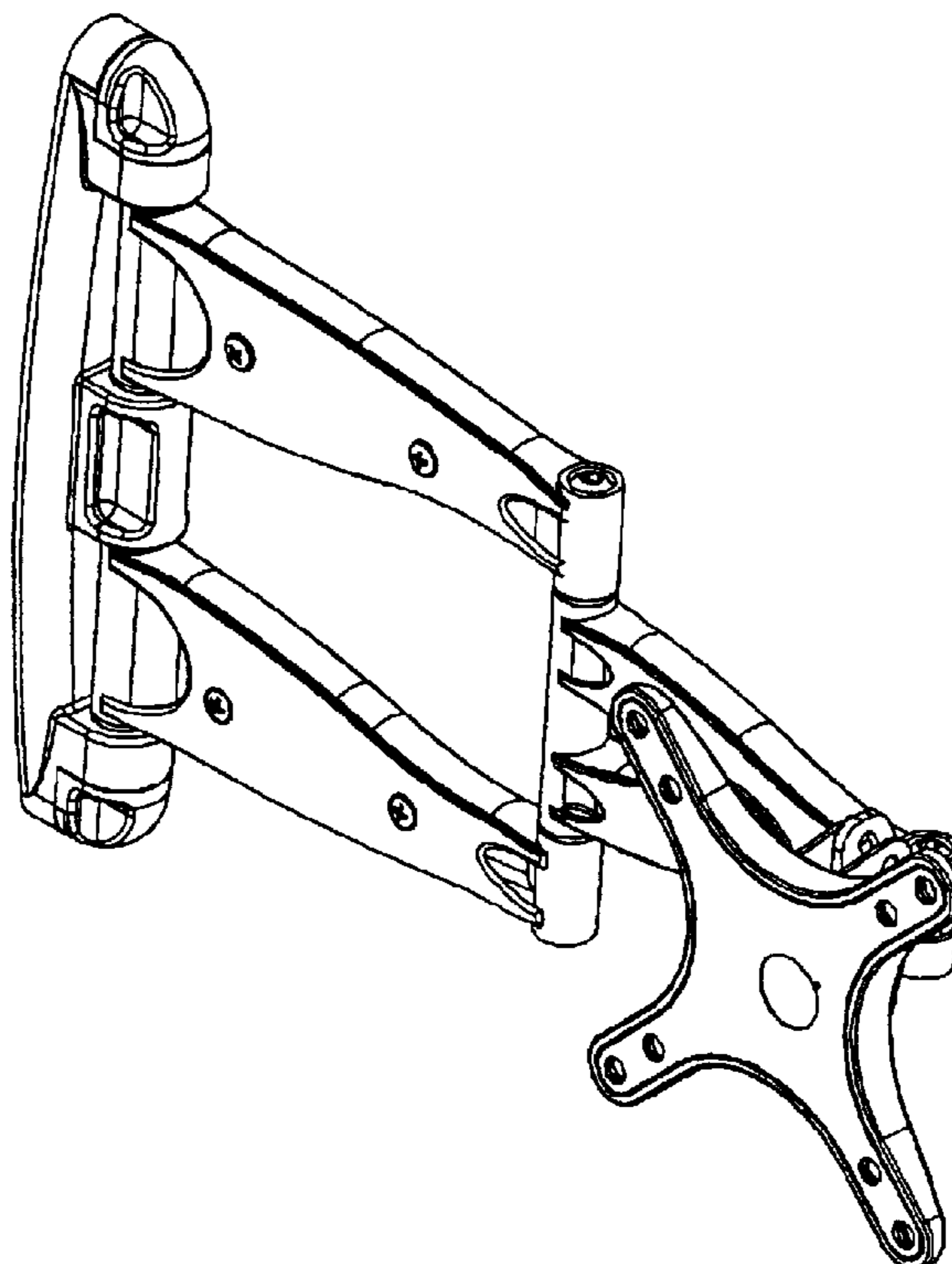
FIG. 4 is a right-side elevational view thereof.

FIG. 5 is a left-side elevational view thereof; and,

FIG. 6 is a top plan view thereof; the bottom plan view is a mirror image of FIG. 6.

Elements identified in broken lines in the accompanying drawings form no part of the claimed invention.

1 Claim, 2 Drawing Sheets



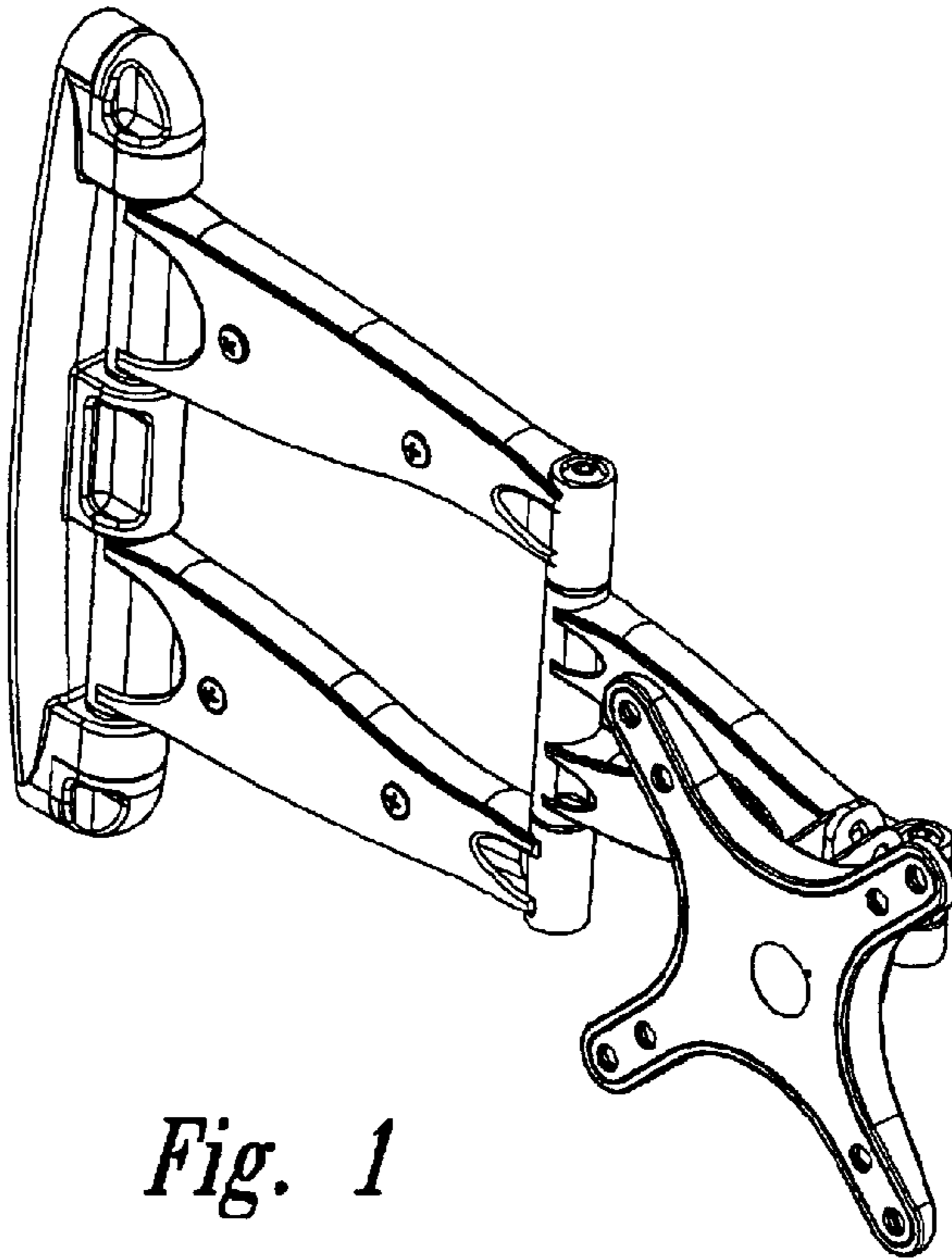


Fig. 1

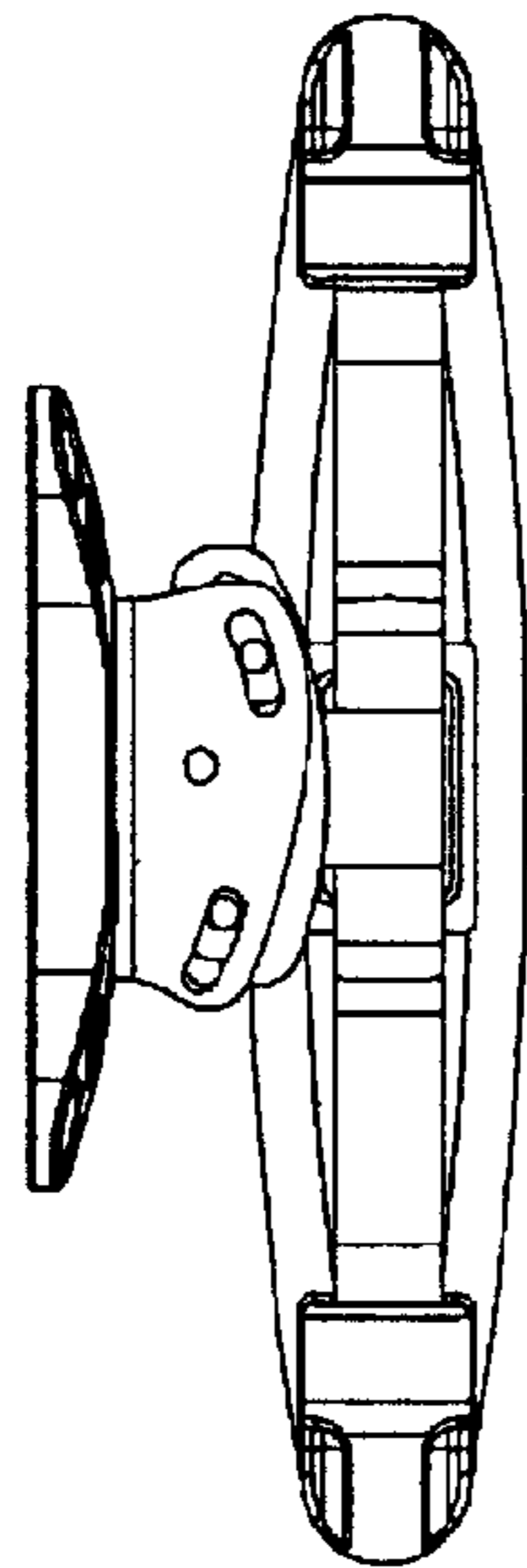


Fig. 2

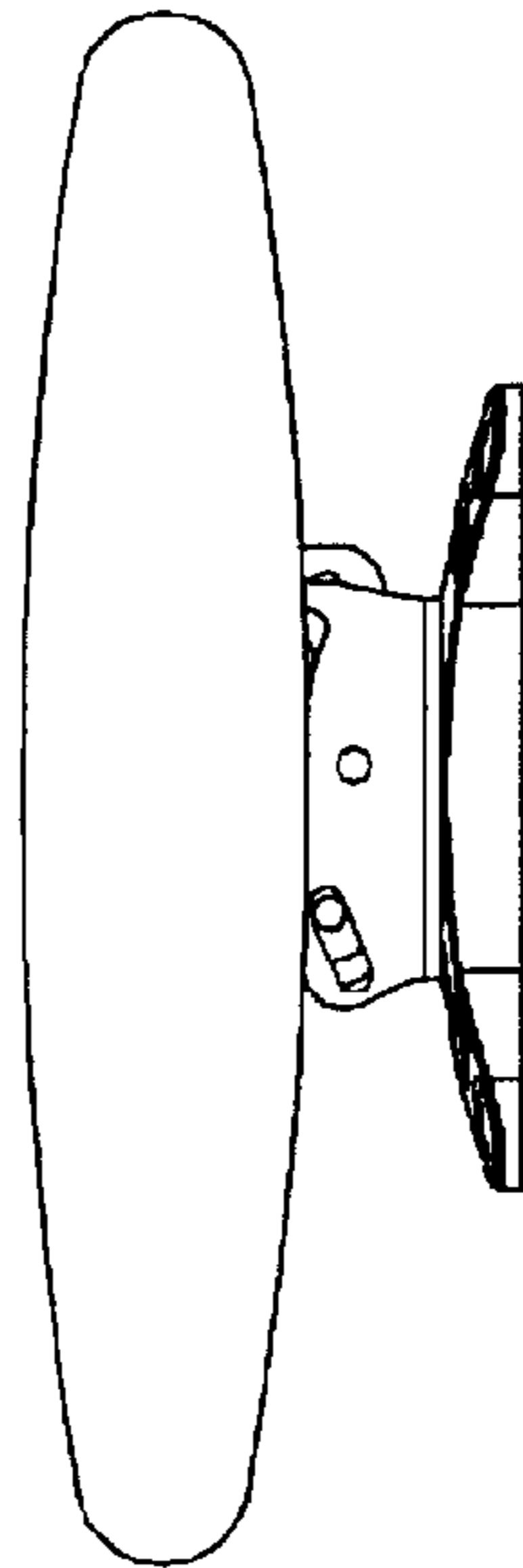


Fig. 3

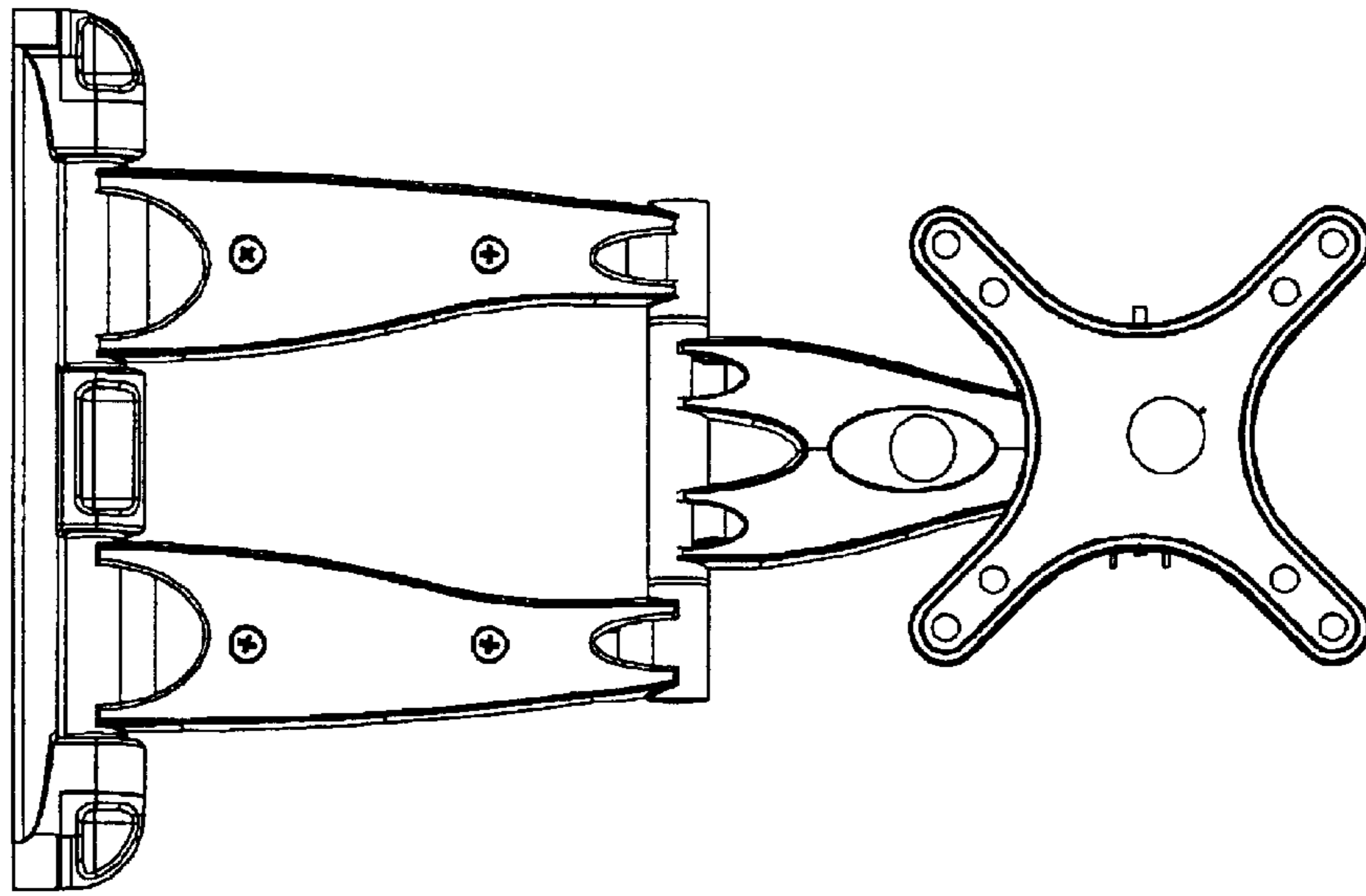


Fig. 4

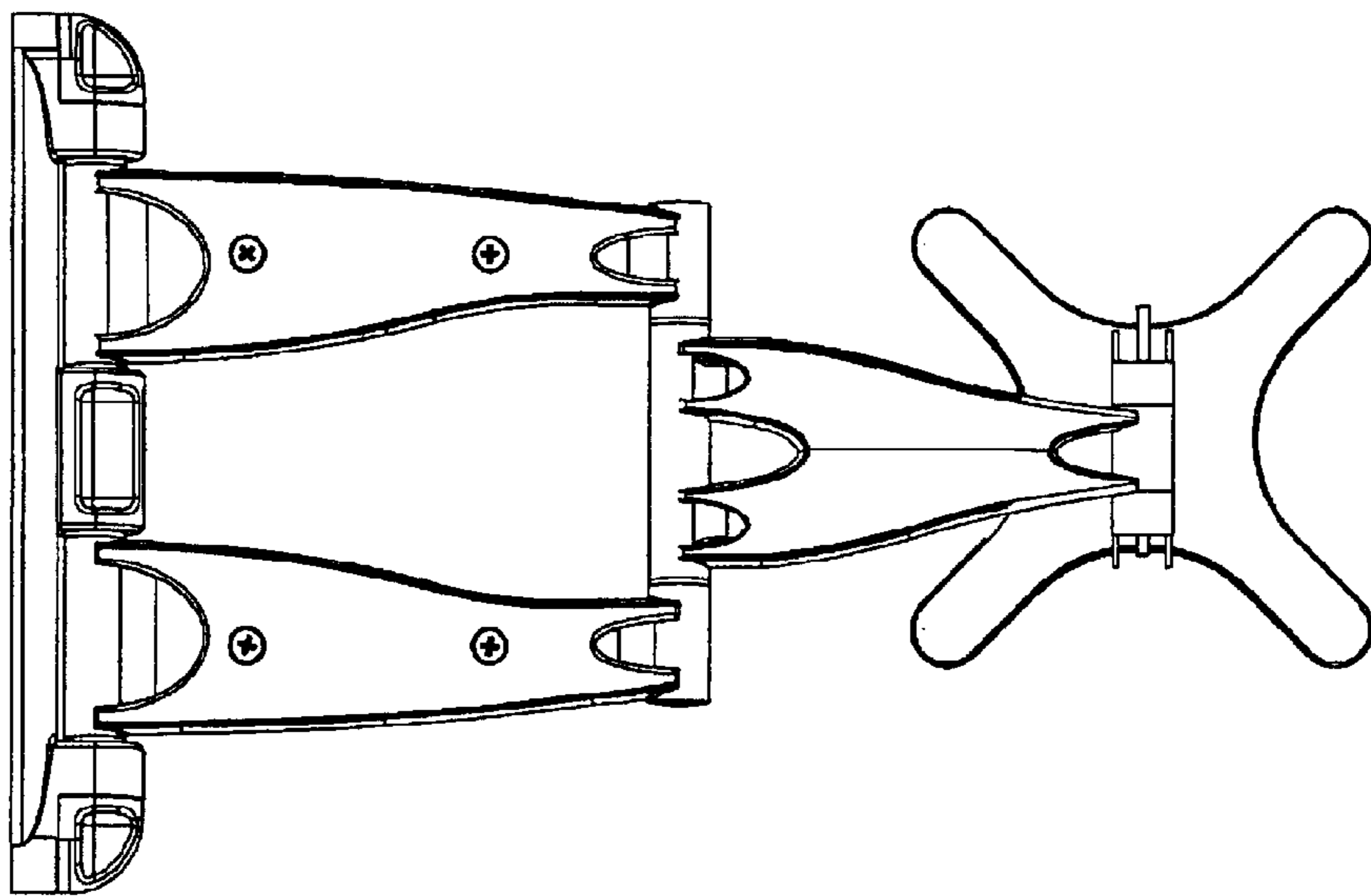


Fig. 5

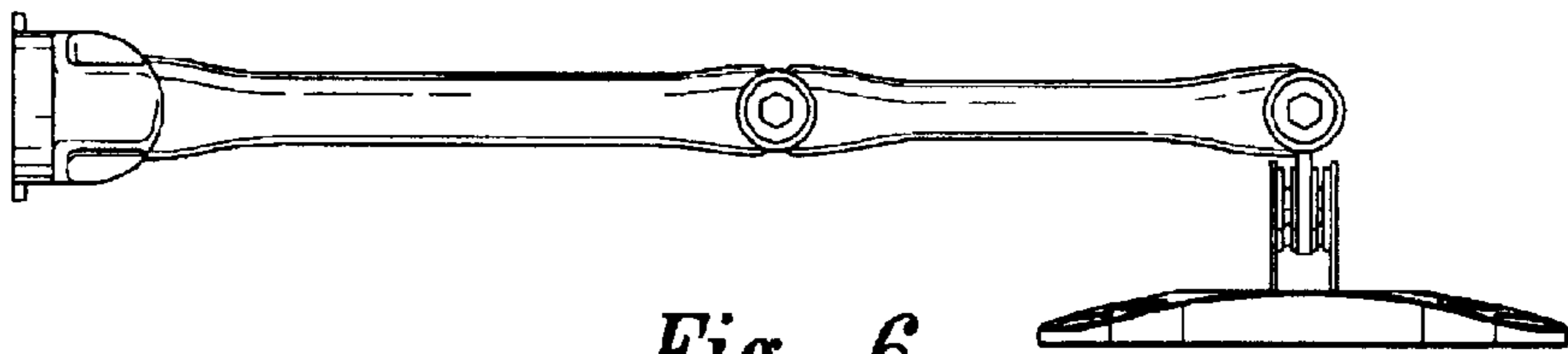


Fig. 6