



US00D537703S

(12) **United States Design Patent** (10) **Patent No.:** **US D537,703 S**  
**Kearns et al.** (45) **Date of Patent:** **\*\* Mar. 6, 2007**

(54) **LOCK**  
(75) Inventors: **Dave Kearns**, Hartford, WI (US);  
**Mark van Handel**, Madison, WI (US);  
**John Blomstrom**, Milwaukee, WI (US)

D400,078 S \* 10/1998 Adelmeyer ..... D8/346  
D408,262 S \* 4/1999 Liu ..... D8/334  
D423,324 S \* 4/2000 Liu ..... D8/334  
6,539,754 B1 \* 4/2003 Fang ..... 70/52  
D484,391 S \* 12/2003 Hackbarth et al. .... D8/346

(73) Assignee: **Master Lock Company LLC**, Oak  
Creek, WI (US)

\* cited by examiner

(\*\*) Term: **14 Years**

*Primary Examiner*—Prabhakar Deshmukh  
(74) *Attorney, Agent, or Firm*—Calfee, Halter & Griswold  
LLP

(21) Appl. No.: **29/253,715**

(57) **CLAIM**

(22) Filed: **Feb. 10, 2006**

The ornamental design for lock, as shown and described.

(51) **LOC (8) Cl.** ..... **08-07**

**DESCRIPTION**

(52) **U.S. Cl.** ..... **D8/334; D8/346**

(58) **Field of Classification Search** ..... D8/330,  
D8/331, 334, 336, 343, 346; 70/20–26, 35,  
70/51–55, 431, 443, 38 R–38 C, DIG. 43,  
70/DIG. 56

FIG. 1 is a perspective view of a lock showing our new design;  
FIG. 2 is a front view of the lock of FIG. 1;  
FIG. 3 is a rear view of the lock of FIG. 1;  
FIG. 4 is a left side view of the lock of FIG. 1, the opposite site being a mirror image of FIG. 4;  
FIG. 5 is a top view of the lock of FIG. 1; and,  
FIG. 6 is a bottom view of the lock of FIG. 1.

See application file for complete search history.

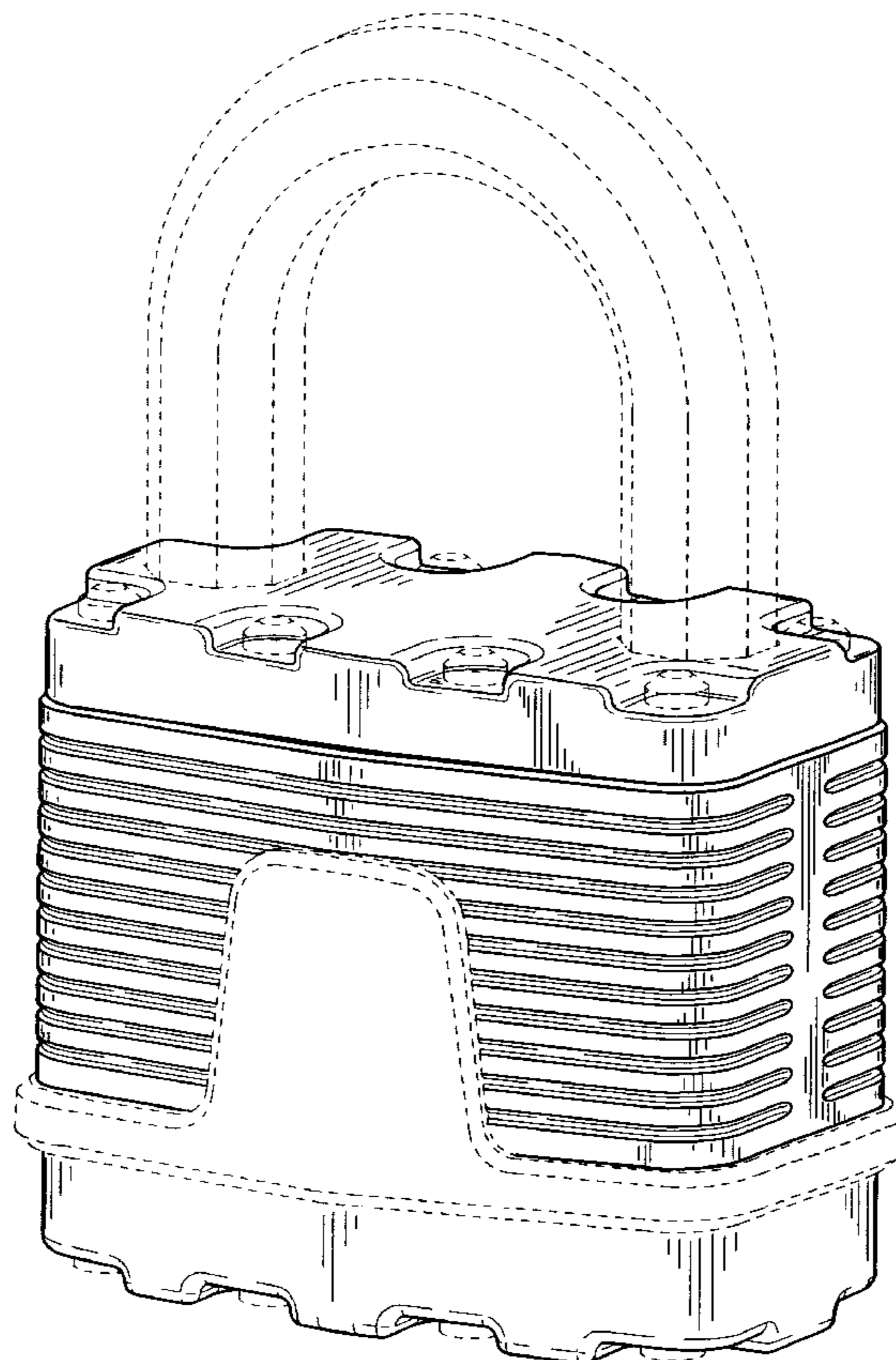
The broken lines, which define the bounds of the claimed design, form no part thereof. The broken lines environmental are for illustrative purpose and form no part of the claimed design.

(56) **References Cited**

**U.S. PATENT DOCUMENTS**

1,016,455 A 2/1912 Stone  
3,453,758 A \* 7/1969 Foote et al. .... 40/665  
4,224,813 A \* 9/1980 Hampton ..... 70/51  
4,317,344 A 3/1982 Barnard  
5,761,935 A \* 6/1998 Adelmeyer ..... 70/55

**1 Claim, 3 Drawing Sheets**



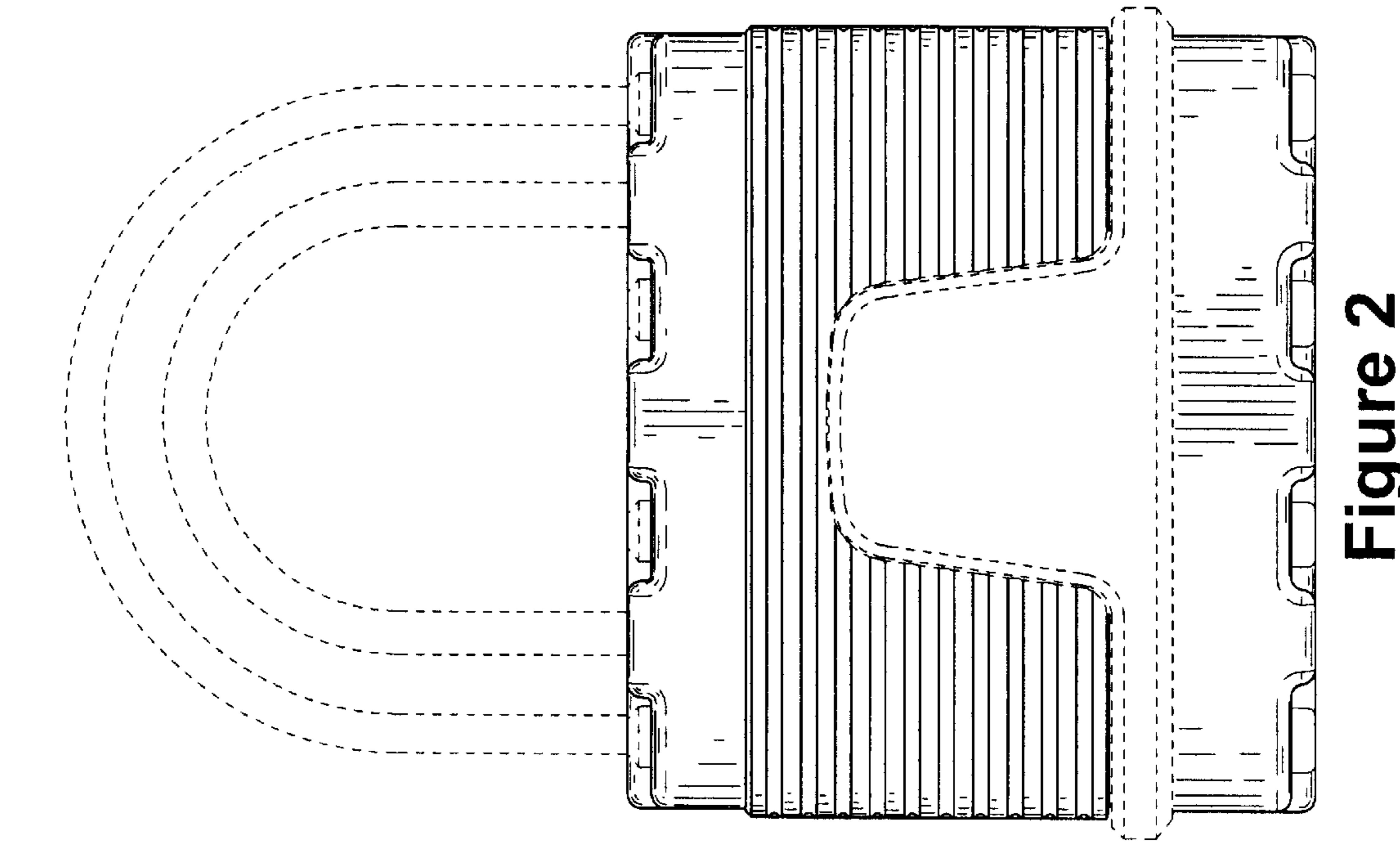


Figure 2

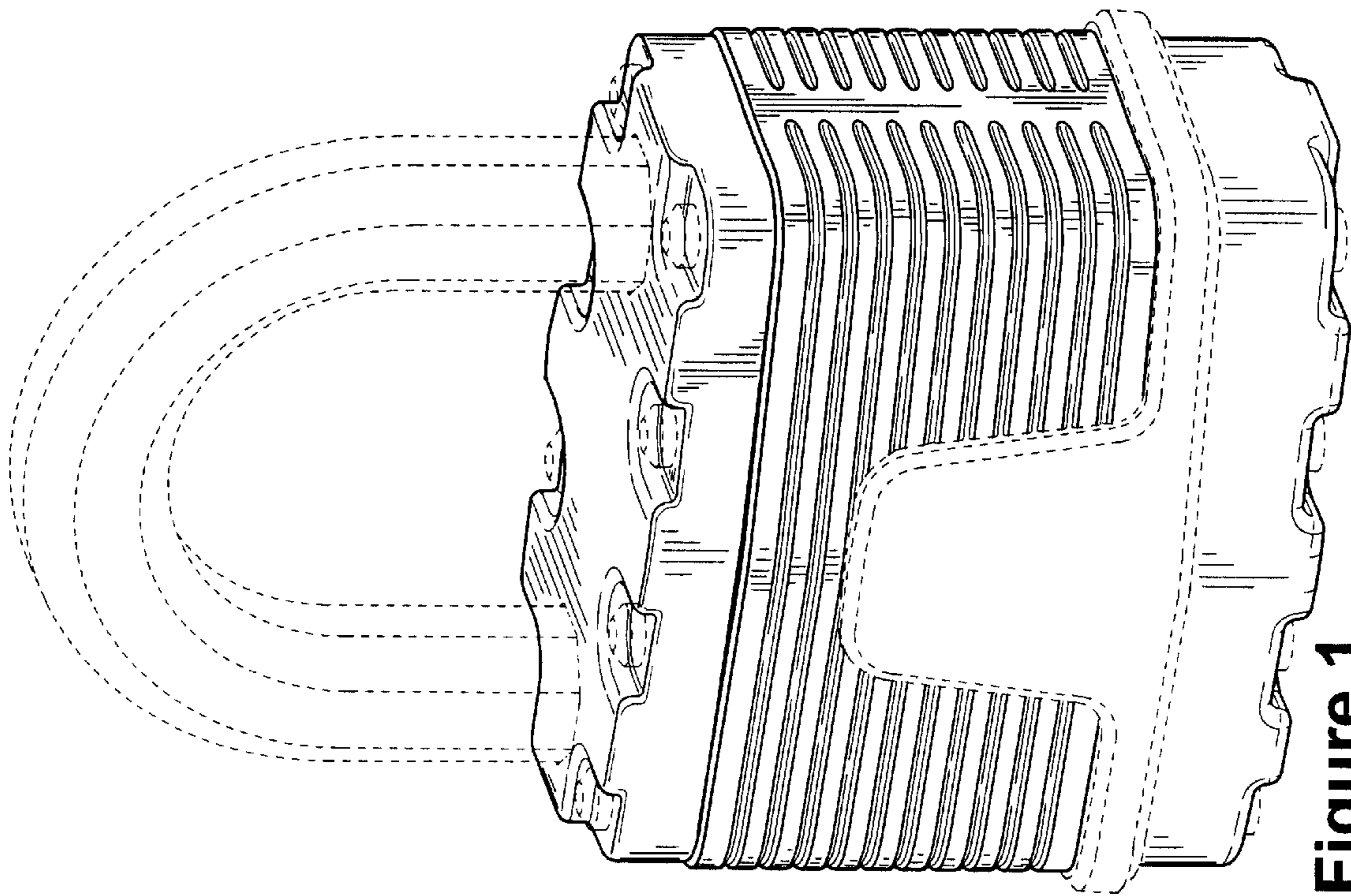


Figure 1

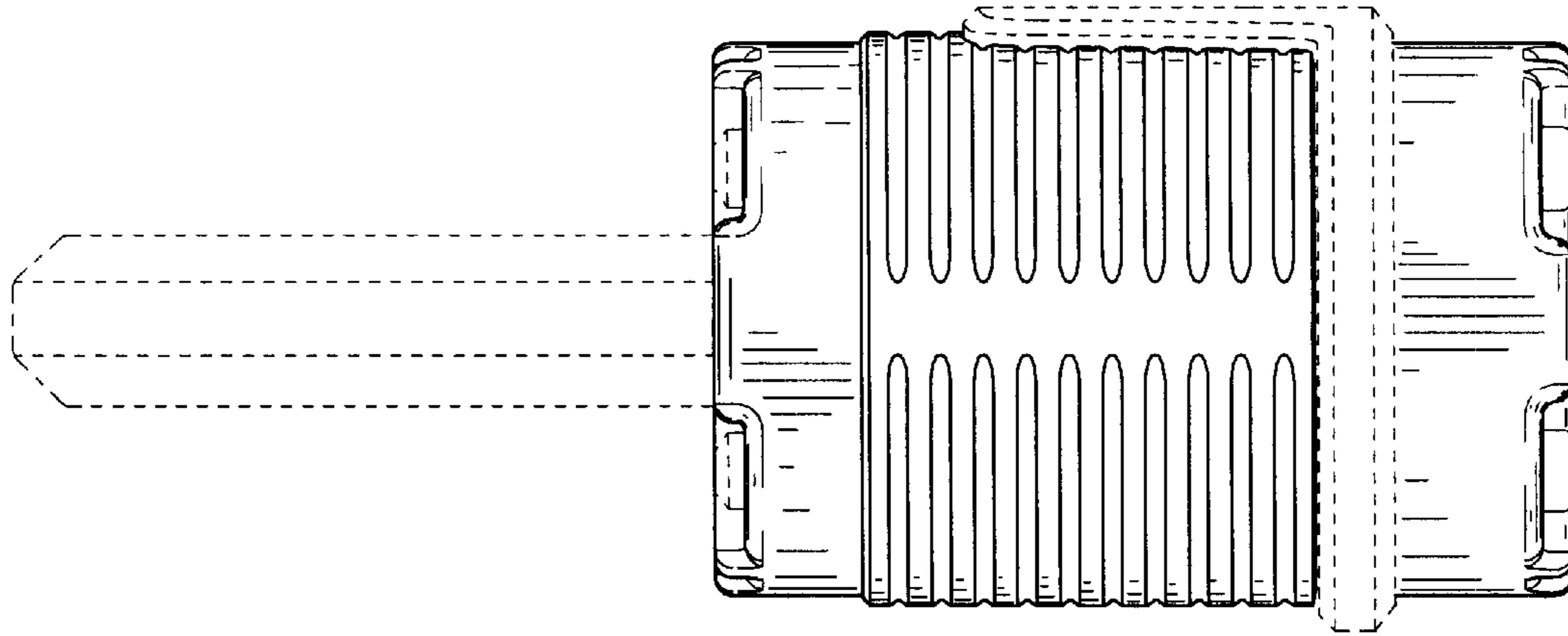


Figure 4

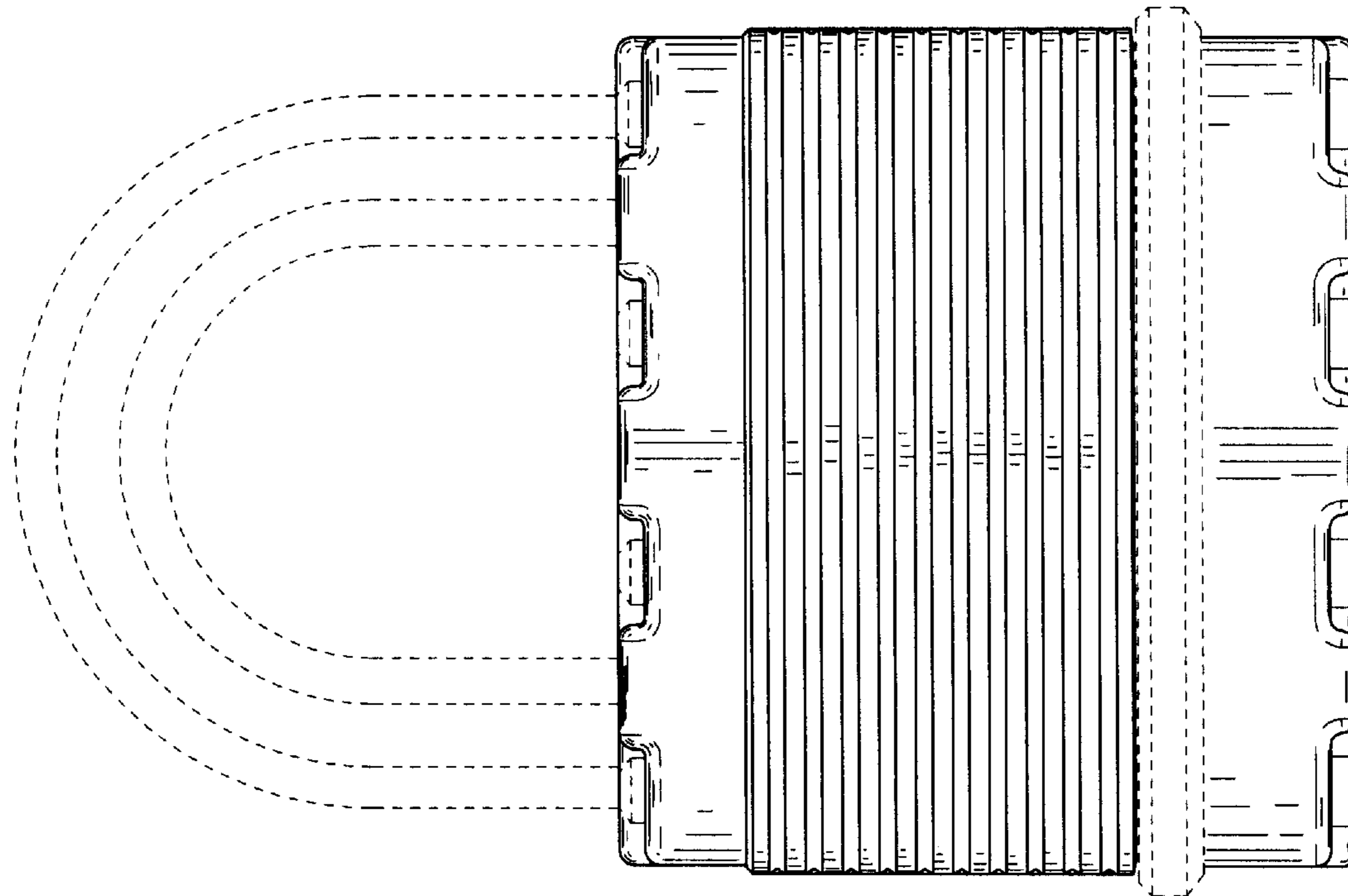


Figure 3

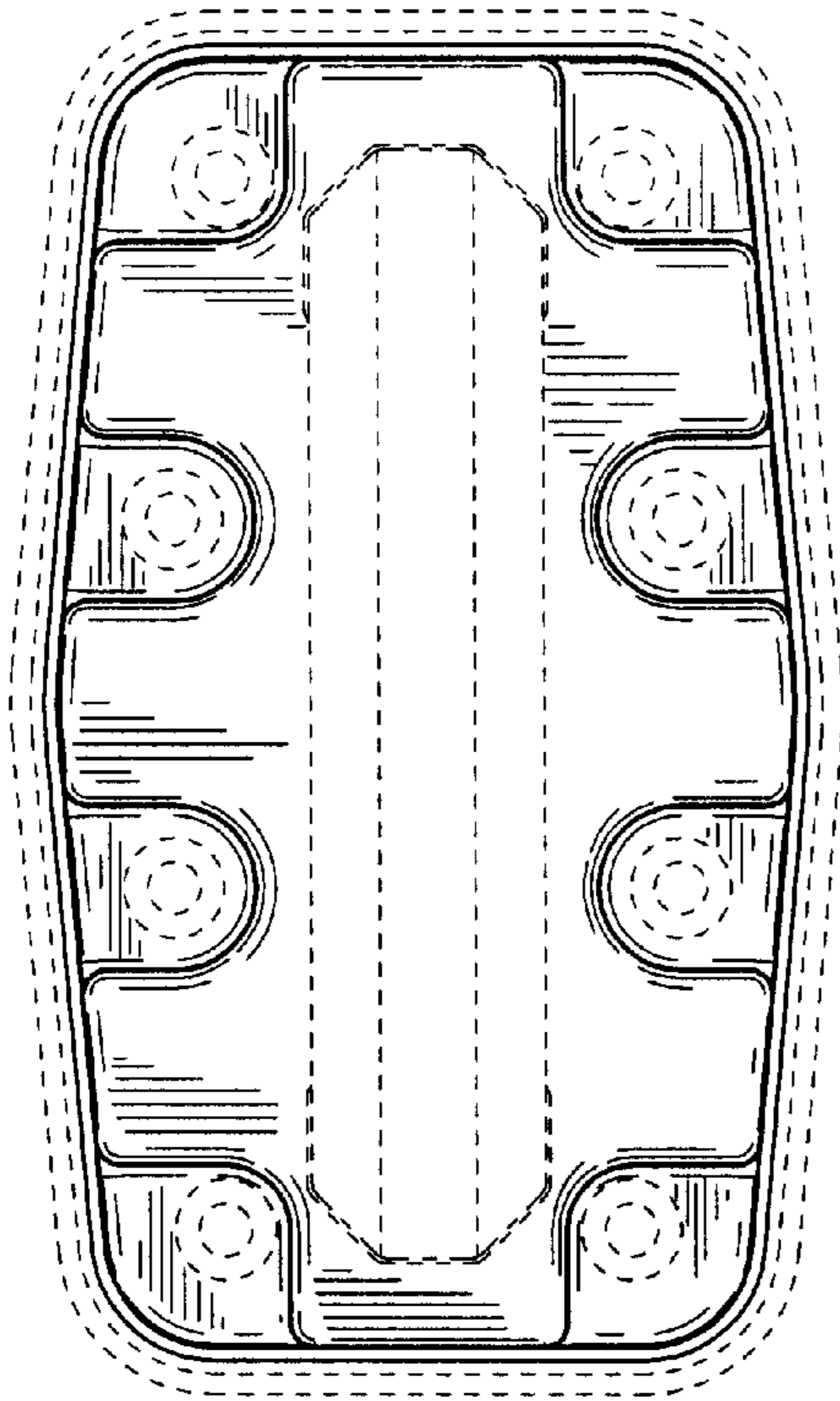


Figure 5

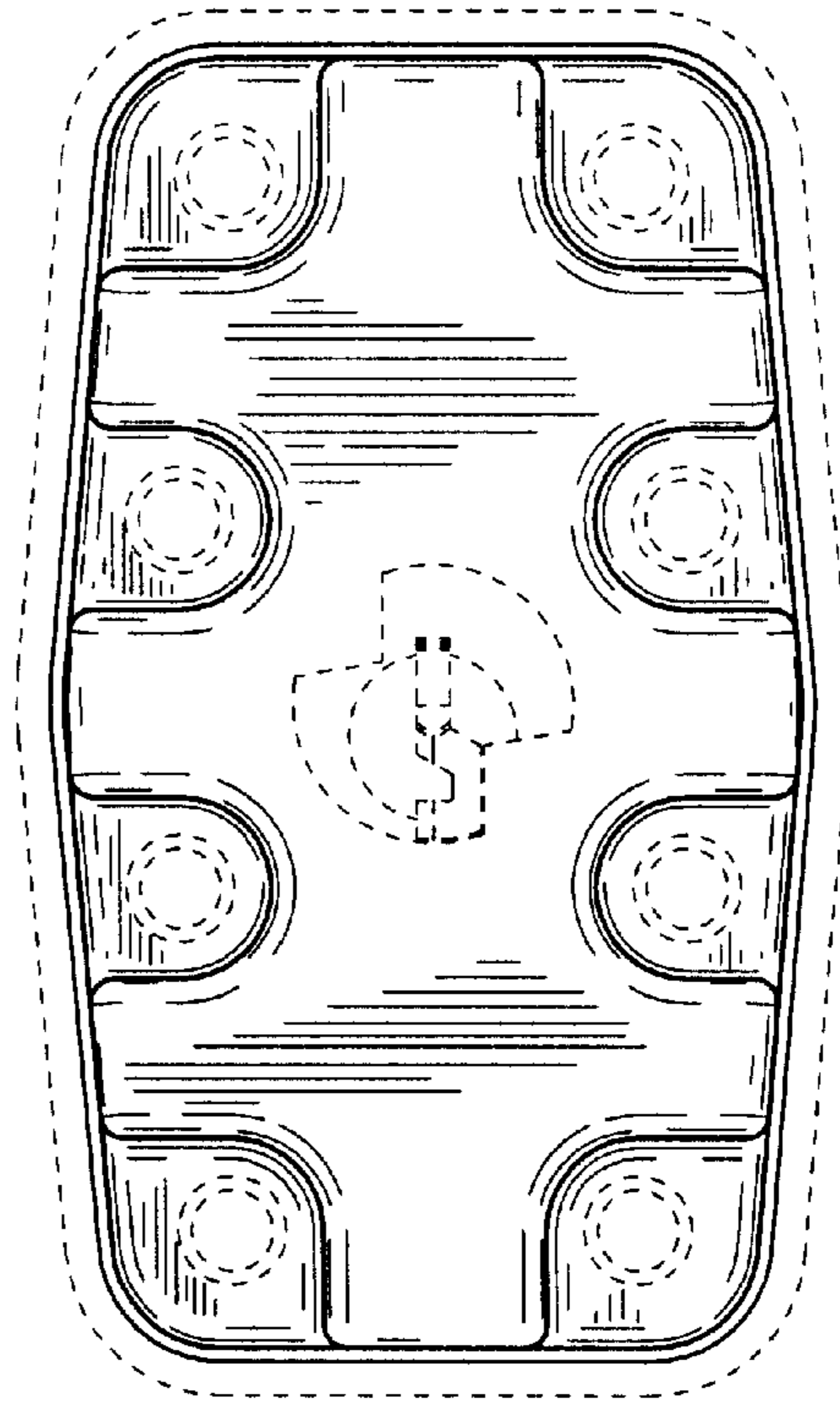


Figure 6