



US00D537701S

(12) **United States Design Patent**  
**Houdek et al.**

(10) **Patent No.:** **US D537,701 S**

(45) **Date of Patent:** **\*\* Mar. 6, 2007**

(54) **DOOR HANDLE PADDLE**

(75) Inventors: **Julie M. Houdek**, New Hampton, IA (US); **Ricci L. Marzolf**, New Hampton, IA (US)

(73) Assignee: **Trimark Corporation**, New Hampton, IA (US)

(\*\*) Term: **14 Years**

(21) Appl. No.: **29/237,286**

(22) Filed: **Aug. 29, 2005**

(51) **LOC (8) Cl.** ..... **08-06**

(52) **U.S. Cl.** ..... **D8/302; D8/306**

(58) **Field of Classification Search** ..... D8/301,  
D8/302, 306, 307, 330, 338, 341, 350, 353;  
70/146, 150, 153, 208, 334, 369, 371; 292/167,  
292/169, 170, 223, 226, 336.3; D12/196;  
16/412

See application file for complete search history.

(56) **References Cited**

**U.S. PATENT DOCUMENTS**

4,969,916	A	*	11/1990	Weinerman et al.	70/208
D346,731	S	*	5/1994	Larsen et al.	D8/301
5,606,882	A	*	3/1997	Larsen et al.	70/369
D390,086	S	*	2/1998	Weinerman et al.	D8/306
5,983,682	A	*	11/1999	Parikh	70/208
D459,969	S	*	7/2002	Larsen et al.	D8/302
6,543,821	B1	*	4/2003	Weinerman et al.	292/123
6,547,290	B1	*	4/2003	Zenner et al.	292/173
D494,447	S	*	8/2004	Linares	D8/330
D496,576	S	*	9/2004	Pickar et al.	D8/306
D504,803	S	*	5/2005	Misner et al.	D8/302

**OTHER PUBLICATIONS**

030-0400 Paddle Handle, TriMark, ISO 9001, 8/97-2.  
030-0450 2-Pont Paddle Handle, TriMark, ISO 9001,  
10/91-2.

\* cited by examiner

*Primary Examiner*—Paula A. Greene

(74) *Attorney, Agent, or Firm*—McKee, Voorhees & Sease,  
P.L.C.

(57) **CLAIM**

We claim the ornamental design for a door handle paddle, as shown and described.

**DESCRIPTION**

FIG. 1 is a perspective view of the first embodiment of the door handle paddle of the present invention.

FIG. 2 is a top plan view of the door handle paddle thereof, the undisclosed rear is not part of the claimed design;

FIG. 3 is an opposite side of the door handle paddle of FIG. 1;

FIG. 4 is an opposite side of the door handle paddle of FIG. 1;

FIG. 5 is an opposite end view of the door paddle of FIG. 1;

FIG. 6 is an opposite end view of the door paddle of FIG. 1

FIG. 7 is a perspective view of the second embodiment of the door handle paddle of the present invention.

FIG. 8 is a top plan view of the door handle paddle shown in FIG. 7.

FIG. 9 is an opposite side view of the door paddle of FIG. 7;

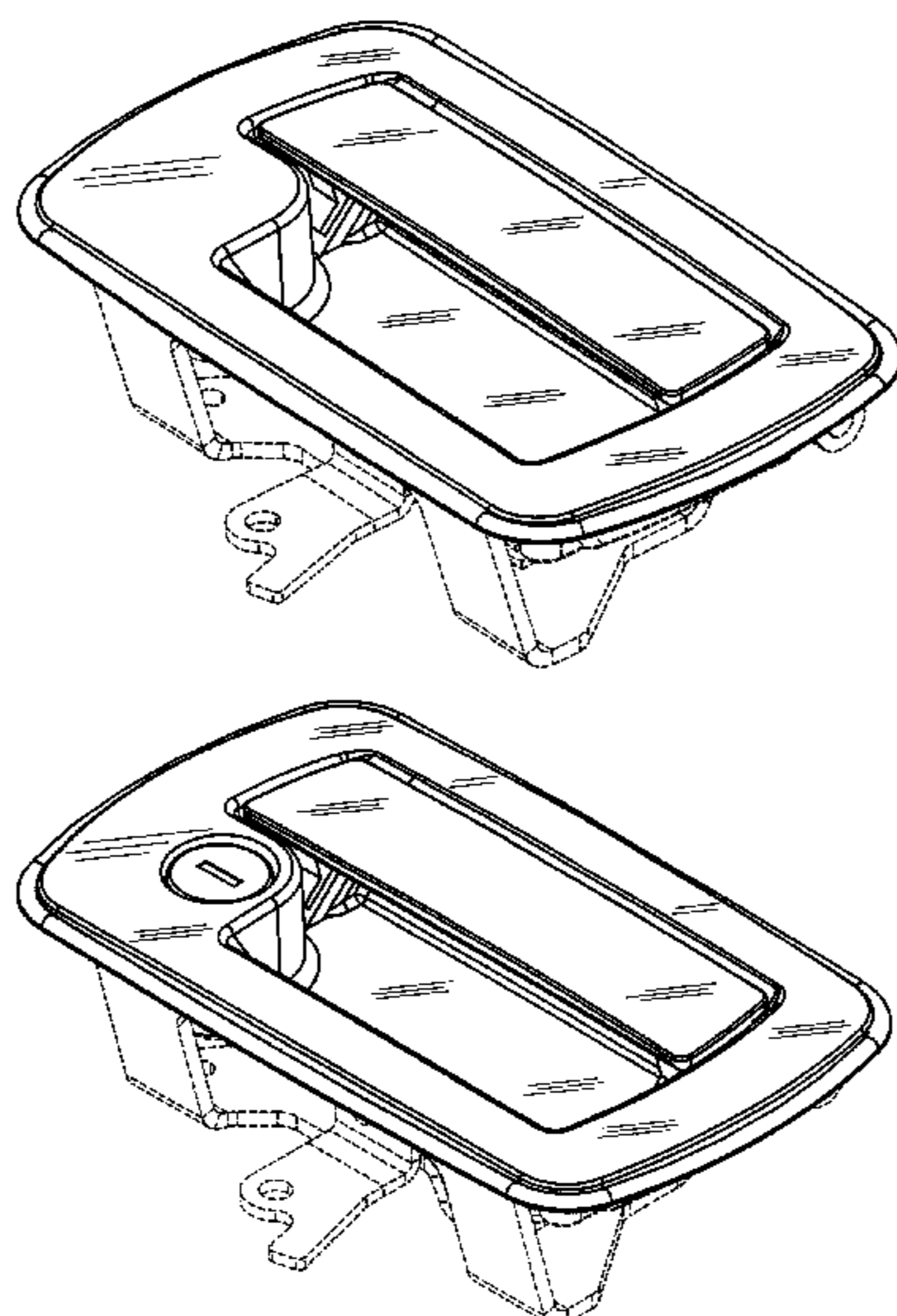
FIG. 10 is an opposite side view of the door paddle of FIG. 7;

FIG. 11 is an opposite end view of the door paddle of FIG. 7; and,

FIG. 12 is an opposite end view of the door paddle of FIG. 7.

The broken lines are for illustrative purposes only and forms no part of the claimed design.

**1 Claim, 5 Drawing Sheets**



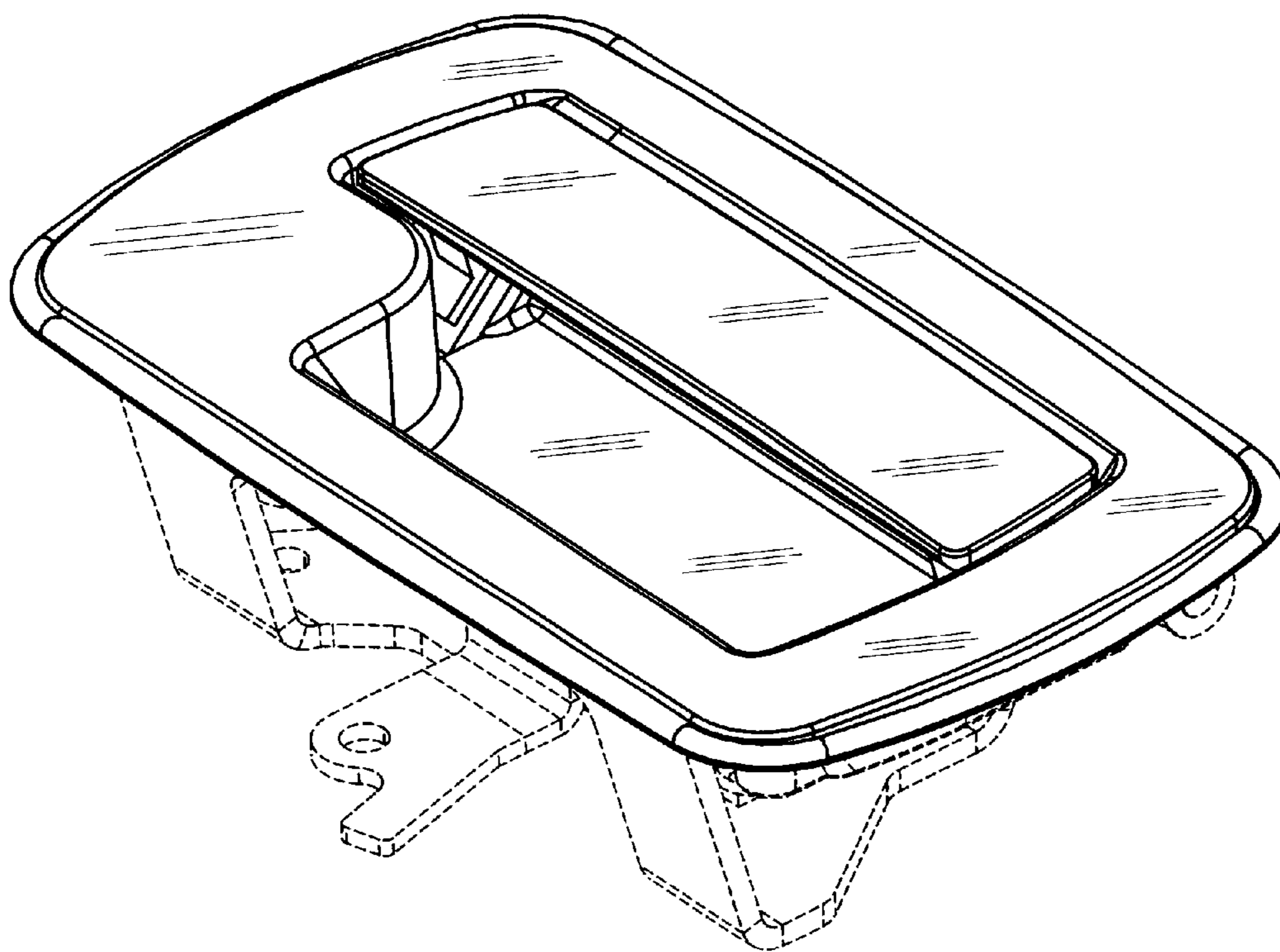


FIG. 1

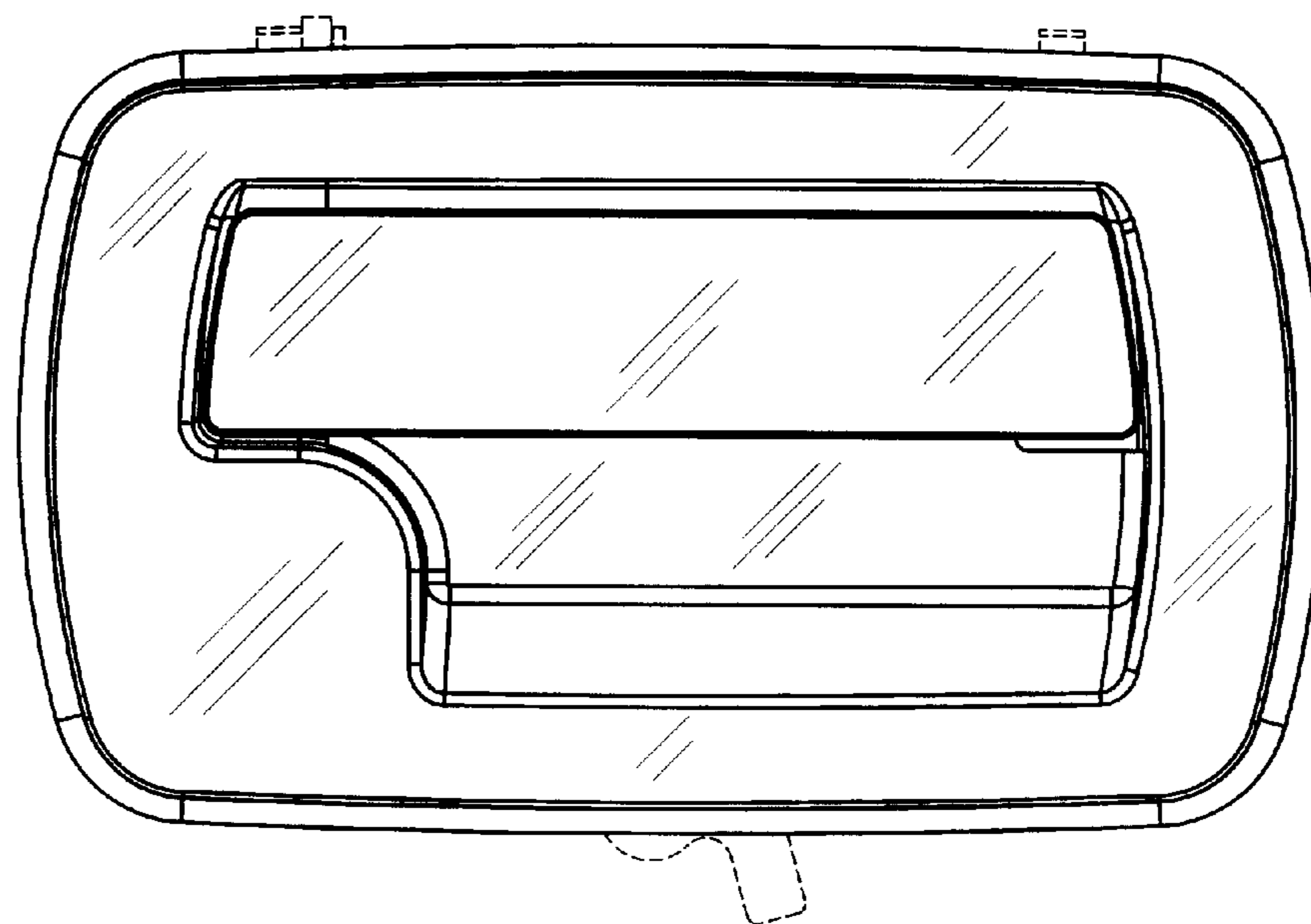
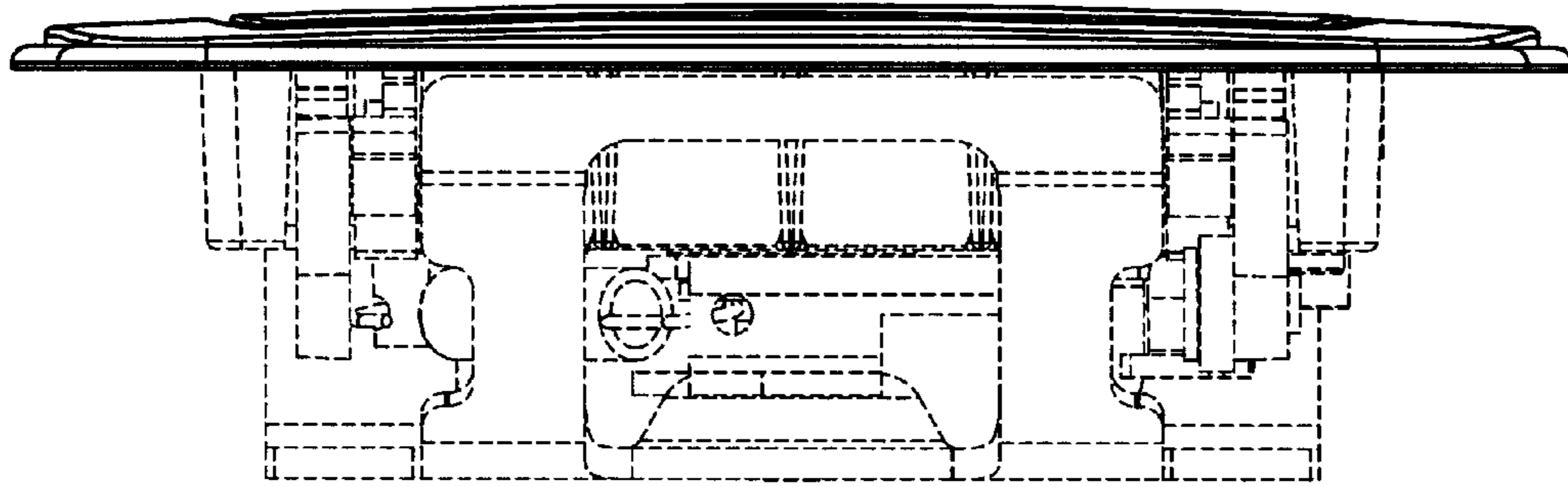
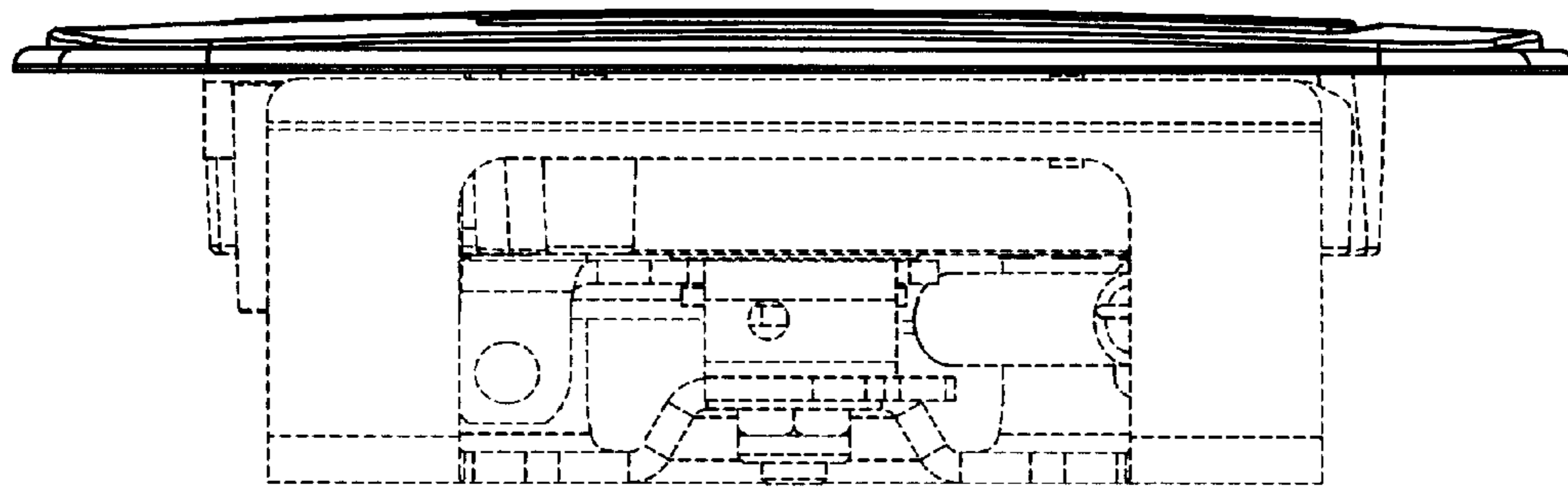


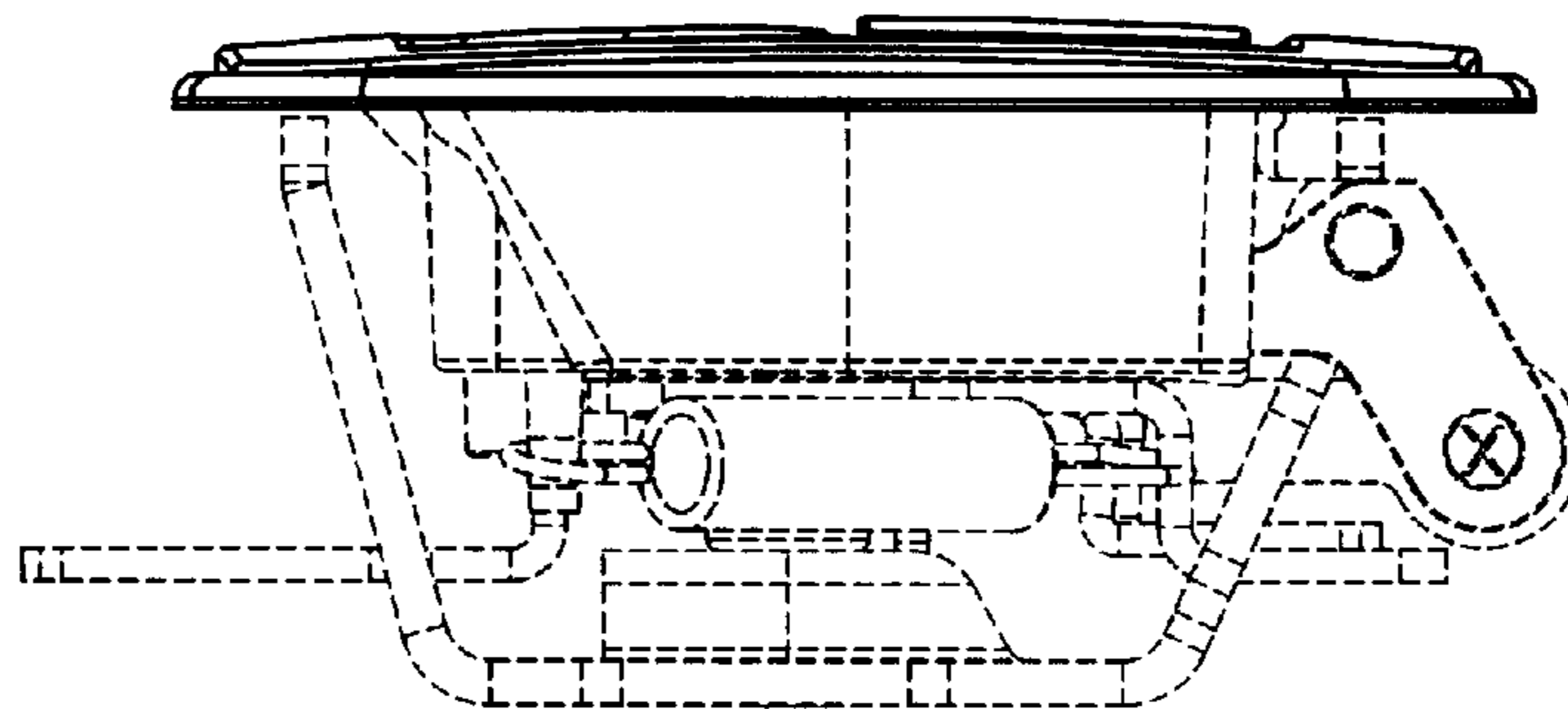
FIG. 2



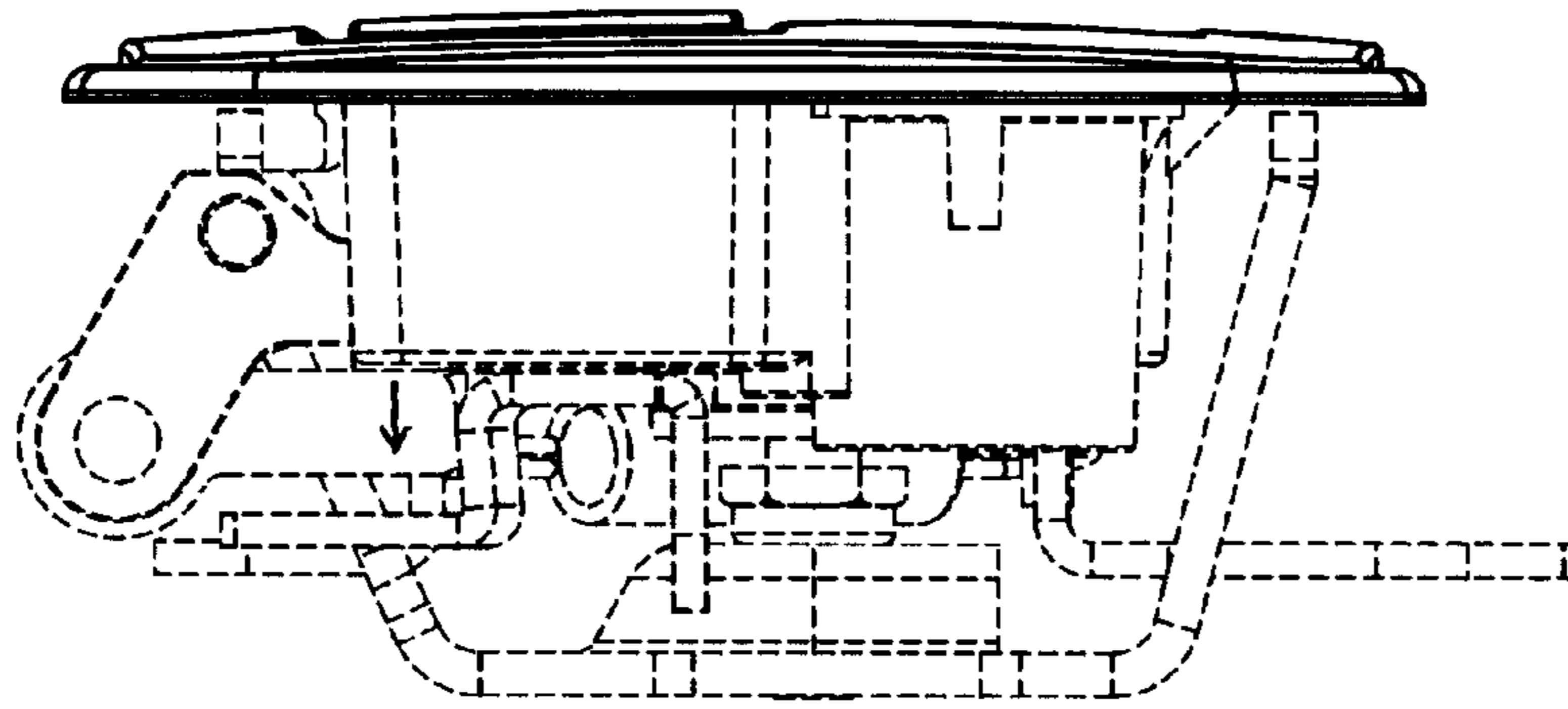
**FIG. 3**



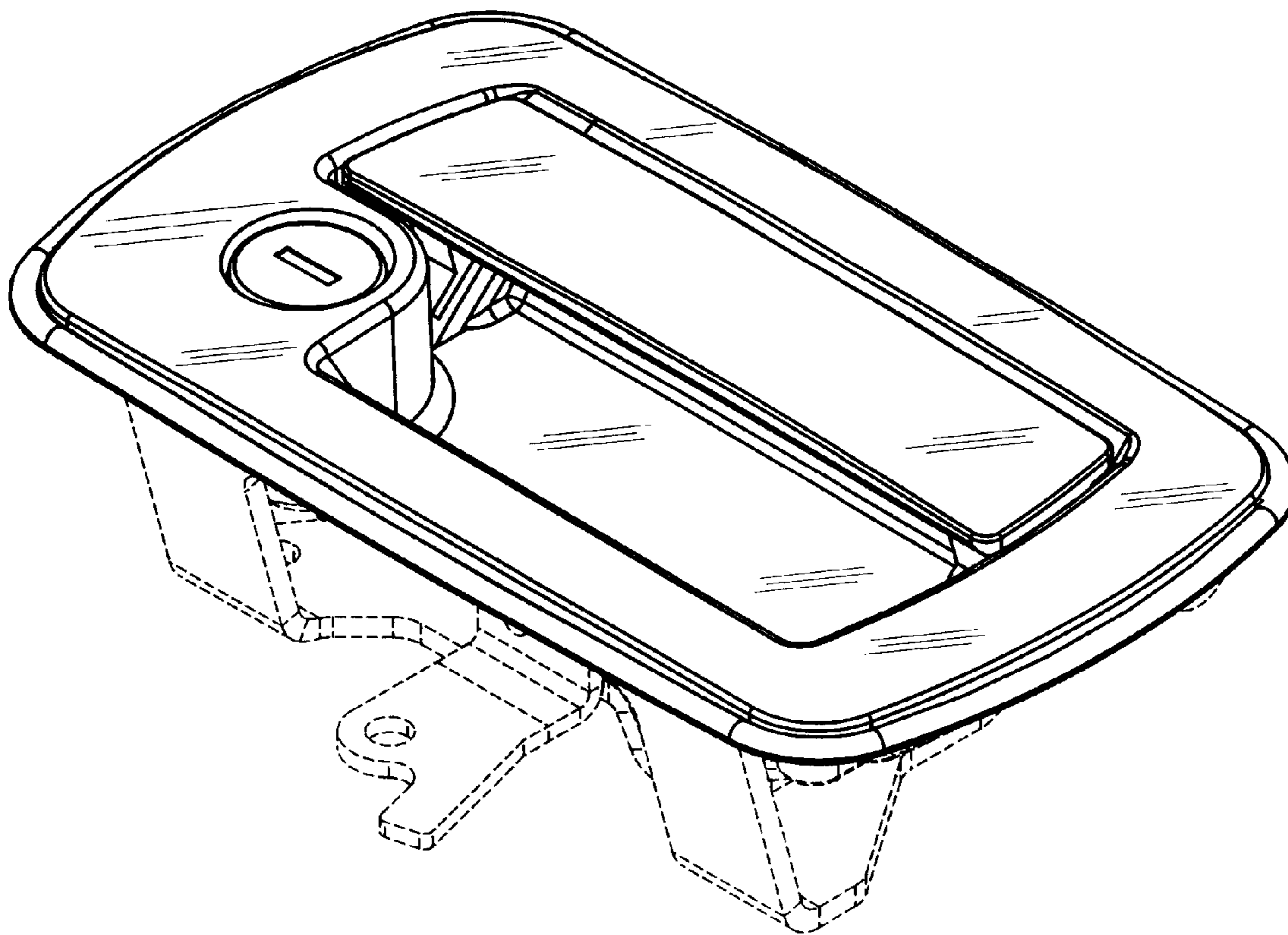
**FIG. 4**



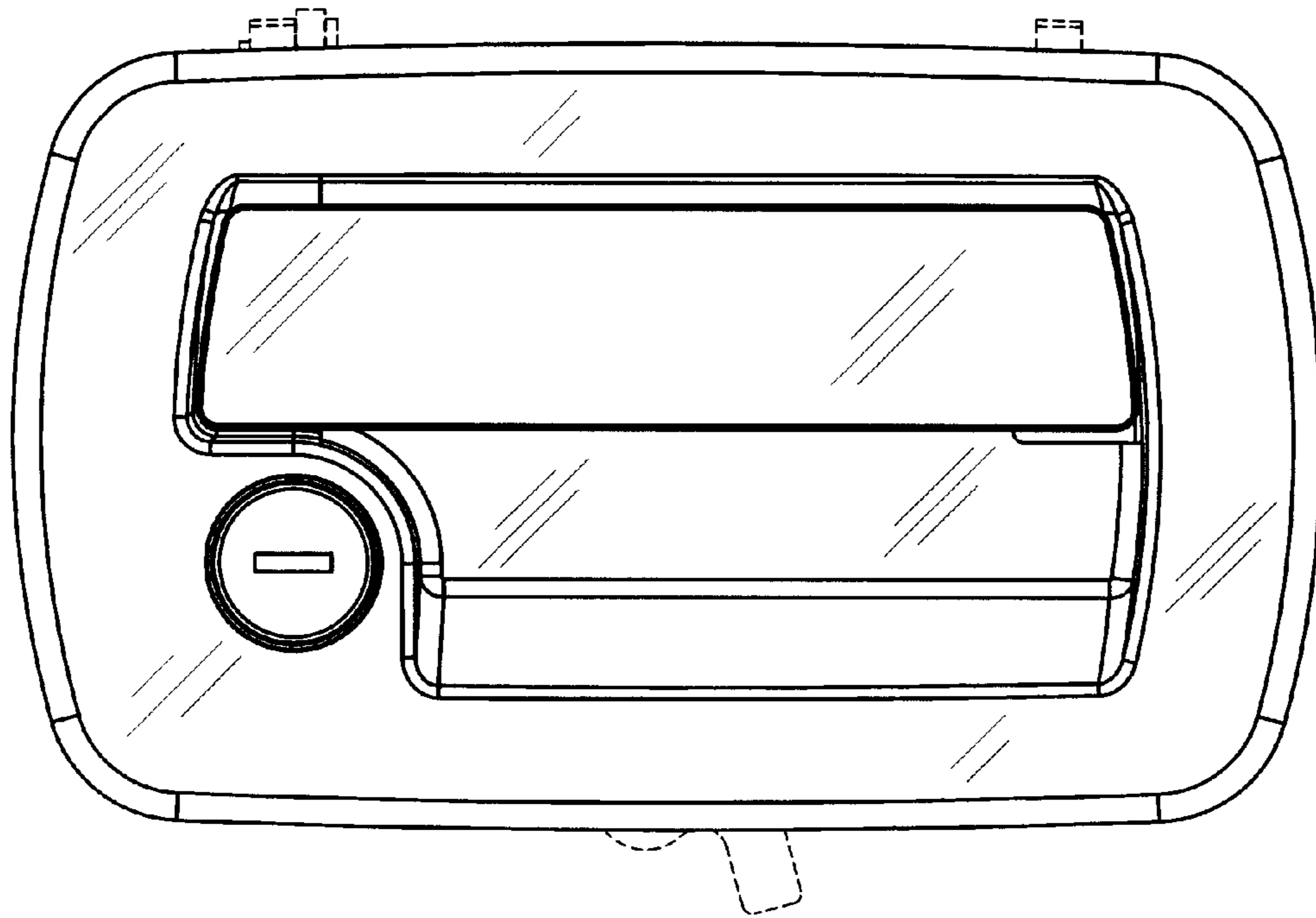
**FIG. 5**



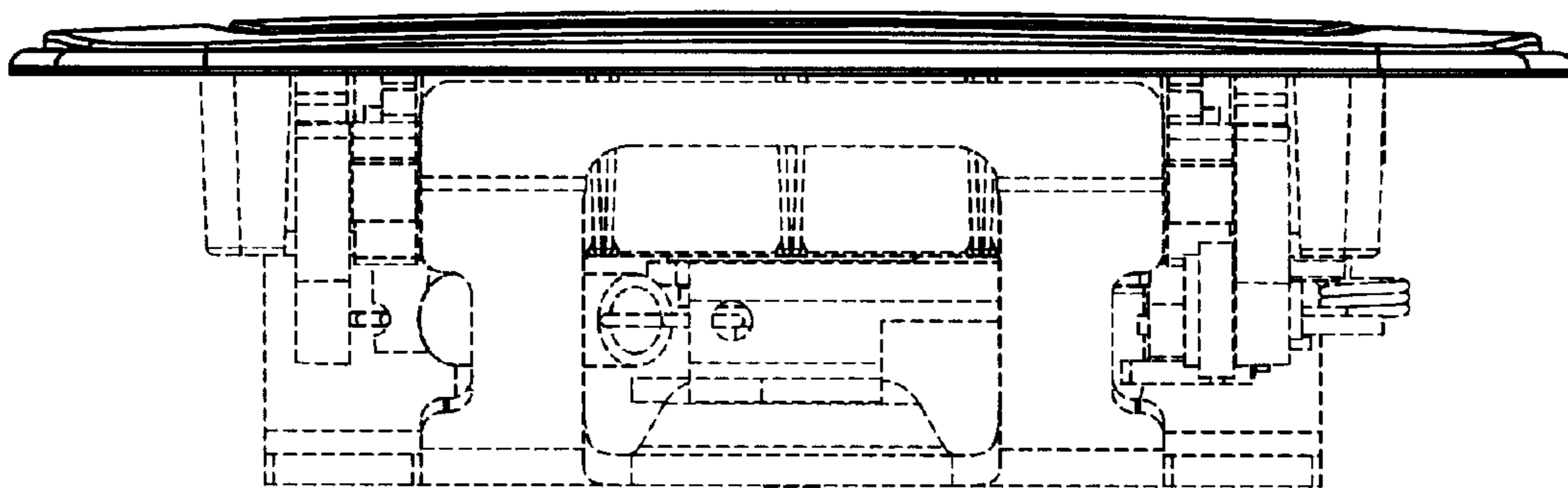
**FIG. 6**



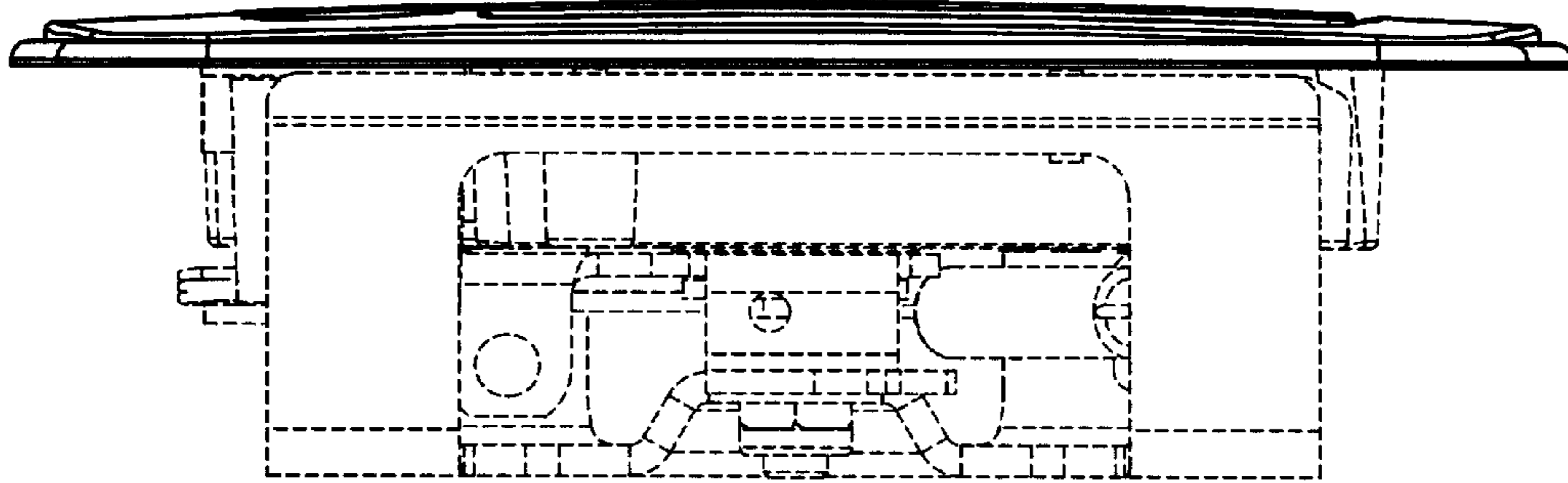
**FIG. 7**



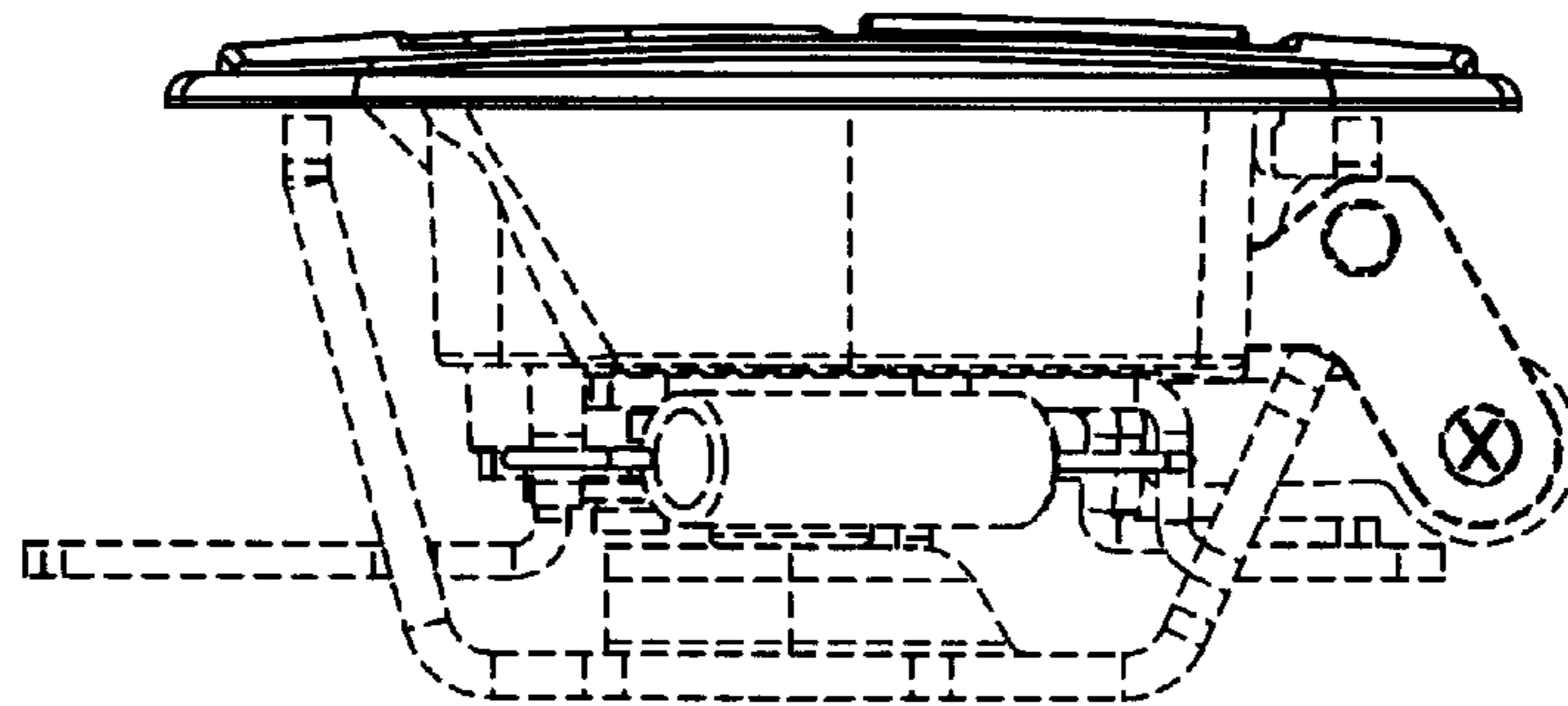
**FIG. 8**



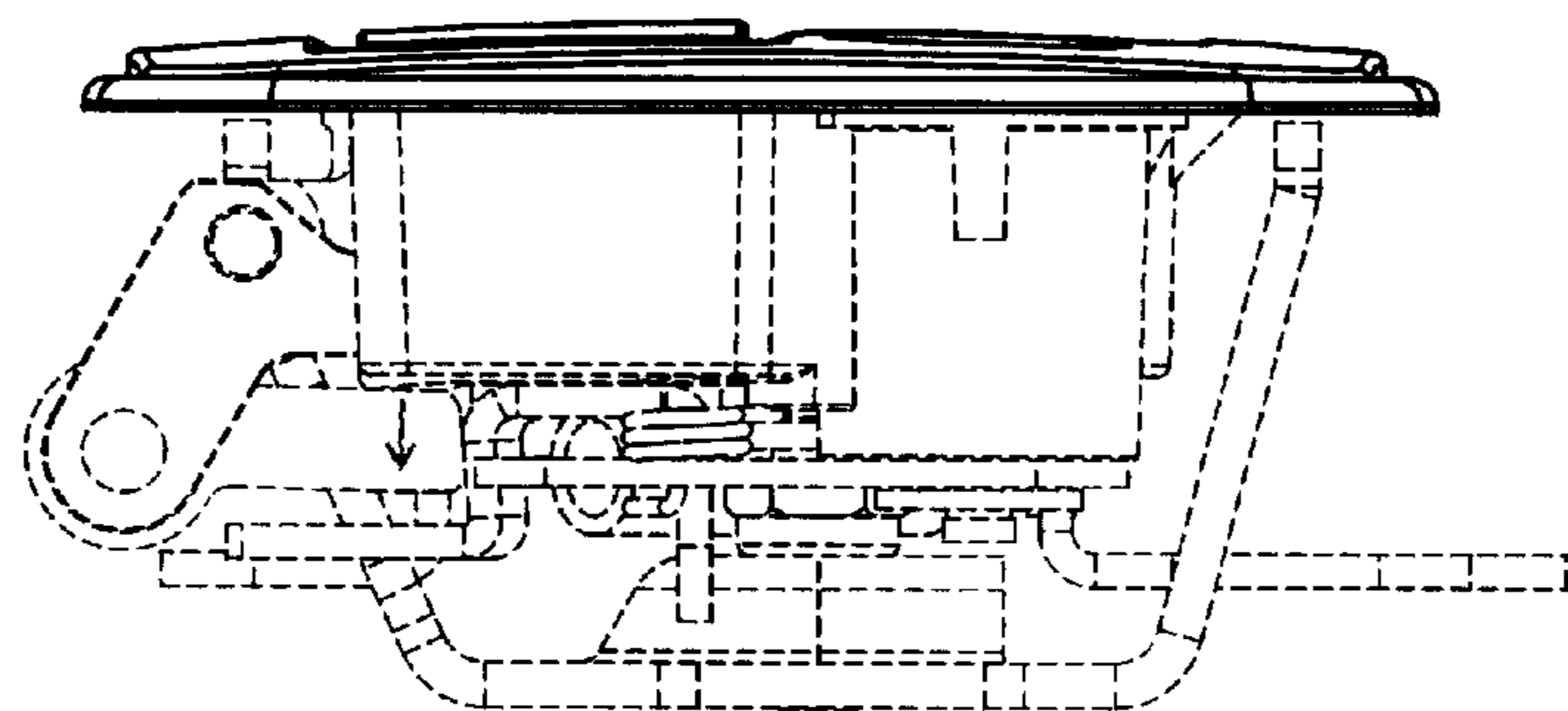
**FIG. 9**



**FIG. 10**



**FIG. 11**



**FIG. 12**