



US00D537700S

(12) **United States Design Patent**
Demar et al.

(10) **Patent No.:** **US D537,700 S**
(45) **Date of Patent:** **** Mar. 6, 2007**

(54) **HANDLE FOR HAND-OPERATED TOOL**

(75) Inventors: **David Demar**, Tenafly, NJ (US);
Thomas VanDyk, Ramsey, NJ (US);
Roland Charriez, Mohegan Lake, NY
(US); **Michael Ballone**, New
Providence, NJ (US); **John Kiely**,
Morris Plains, NJ (US); **Keith**
Kristiansen, Stratford, CT (US);
Melissa Fisher, Columbus, OH (US);
Brian J. Conaway, Columbus, OH
(US); **Mandi Reese**, Westerville, OH
(US); **Terry M. Birchler**, New Albany,
OH (US); **Mark C. Eyman**, Columbus,
OH (US)

(73) Assignee: **Ames True Temper, Inc.**, Camp Hill,
PA (US)

(**) Term: **14 Years**

(21) Appl. No.: **29/226,671**

(22) Filed: **Mar. 31, 2005**

(51) **LOC (8) Cl.** **08-05**

(52) **U.S. Cl.** **D8/107**

(58) **Field of Classification Search** D8/13,
D8/300, 321, 107, 307, 313, 315, 316, 322,
D8/338, 343, 350; D7/394; D24/113, 133;
56/400.01, 400.02, 400.03, 400.04, 400.12,
56/400.17, 400.21; 16/110.1, DIG. 12, 404,
16/430; 81/489; 292/247; 15/120.2, 143.1
See application file for complete search history.

(56) **References Cited**

U.S. PATENT DOCUMENTS

2,617,143 A * 11/1952 Blake 16/444

D291,863 S * 9/1987 Kolonia D8/107
4,829,857 A * 5/1989 Jones 81/177.1
RE36,588 E * 2/2000 Tisbo et al. 294/54.5
6,315,488 B1 * 11/2001 Parker 403/329
D451,779 S * 12/2001 du Sartel D8/107
D461,401 S * 8/2002 Kenyon D8/382
D526,555 S * 8/2006 Kelleghan D8/107
2005/0242599 A1 * 11/2005 Demar et al. 294/60
2005/0271466 A1 * 12/2005 Perez et al. 403/322.2

* cited by examiner

Primary Examiner—Alan P. Douglas

Assistant Examiner—Barbara Fox

(74) *Attorney, Agent, or Firm*—David V. Radack; Eckert
Seamans Cherin & Mellot, LLC

(57) **CLAIM**

The ornamental design for a handle for hand-operated tool,
as shown and described.

DESCRIPTION

FIG. 1 is a perspective view of a handle for hand-operated
tool showing our new design;

FIG. 2 is a front elevational view of the handle for hand-
operated tool of FIG. 1;

FIG. 3 is a rear elevational view of the handle for hand-
operated tool of FIGS. 1 and 2;

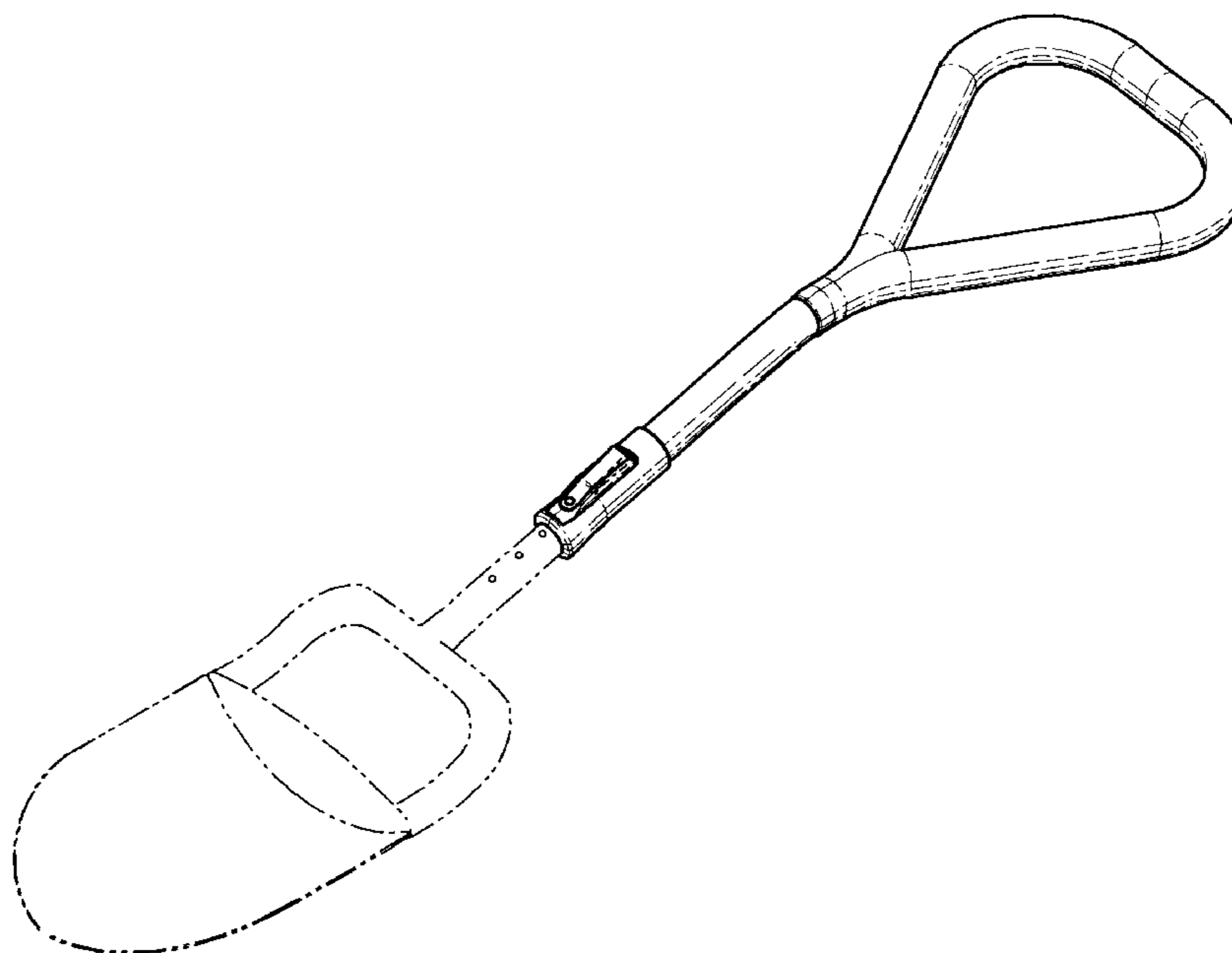
FIG. 4 is a left-side elevational view of the handle for
hand-operated tool of FIGS. 1 to 3, the right side elevational
view being a mirror image thereof;

FIG. 5 is a bottom plan view of the handle for hand-operated
tool of FIGS. 1 to 4; and,

FIG. 6 is a top plan view of the handle for hand-operated tool
of FIGS. 1 to 5.

The broken lines in the figures are for illustrative purposes
only and form no part of the claimed design.

1 Claim, 3 Drawing Sheets



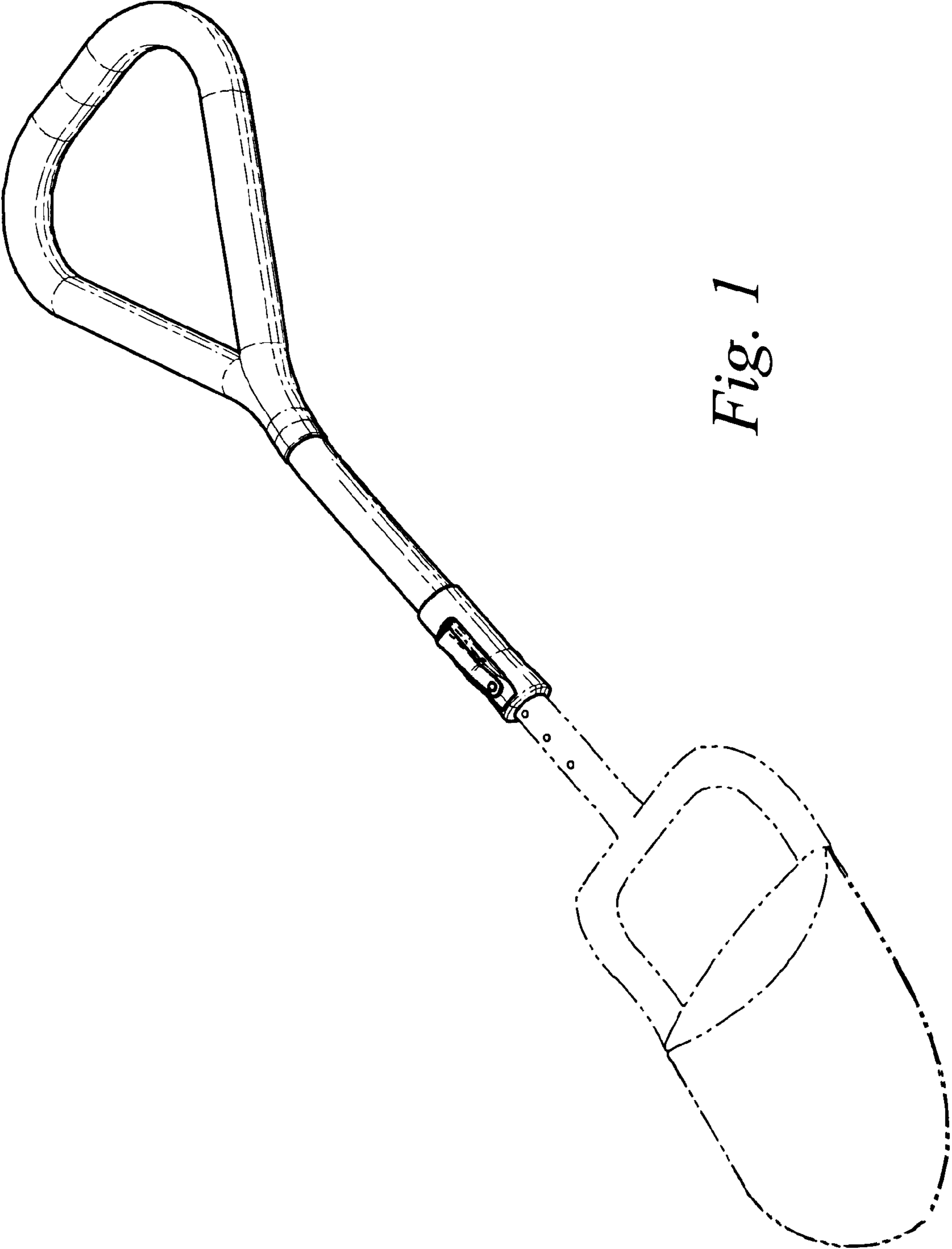


Fig. 1

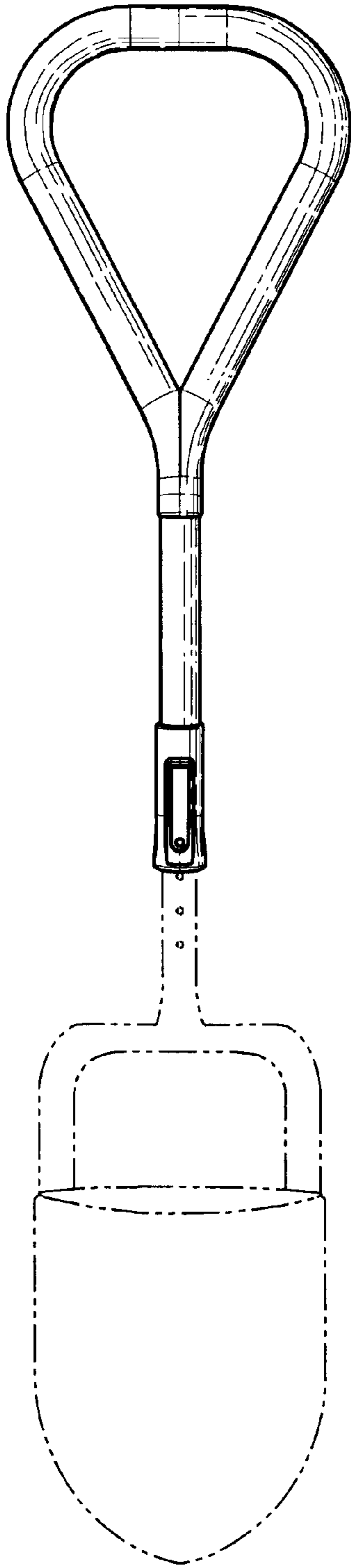


Fig. 2

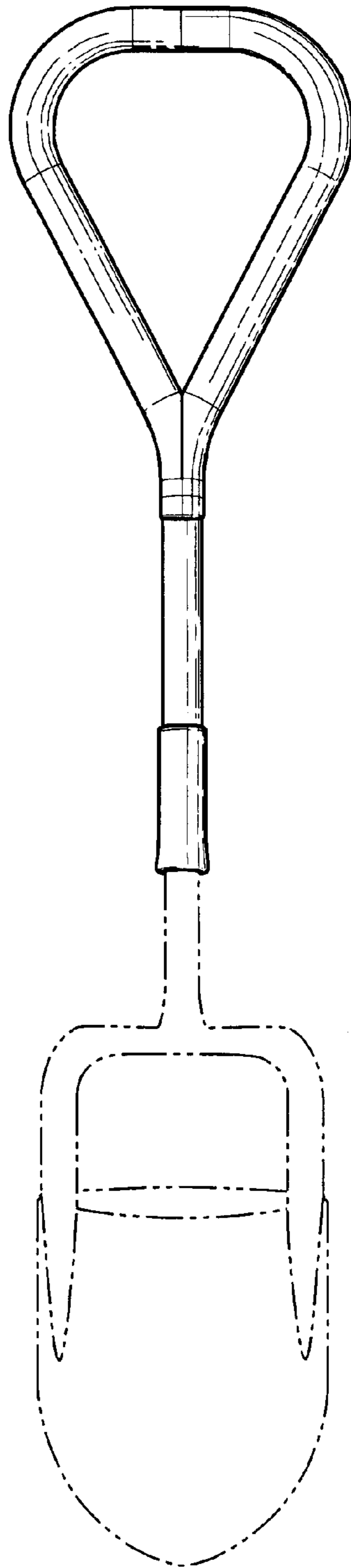


Fig. 3

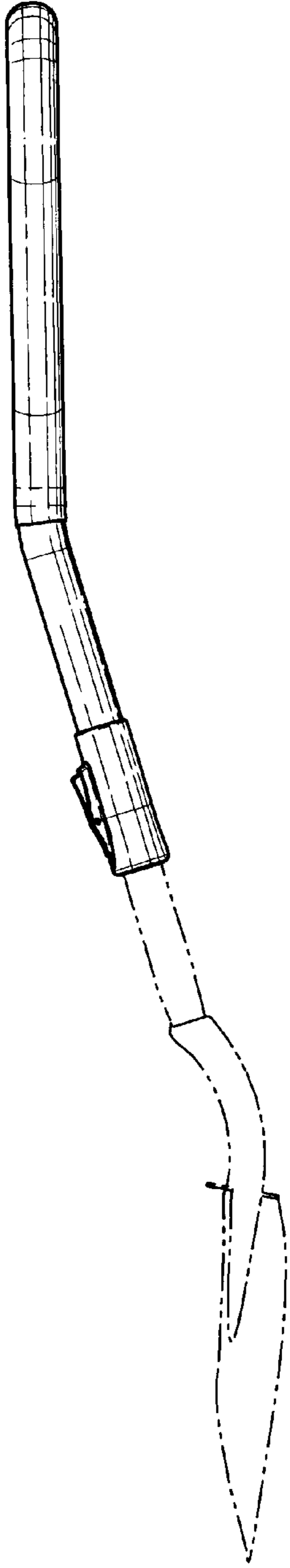


Fig. 4

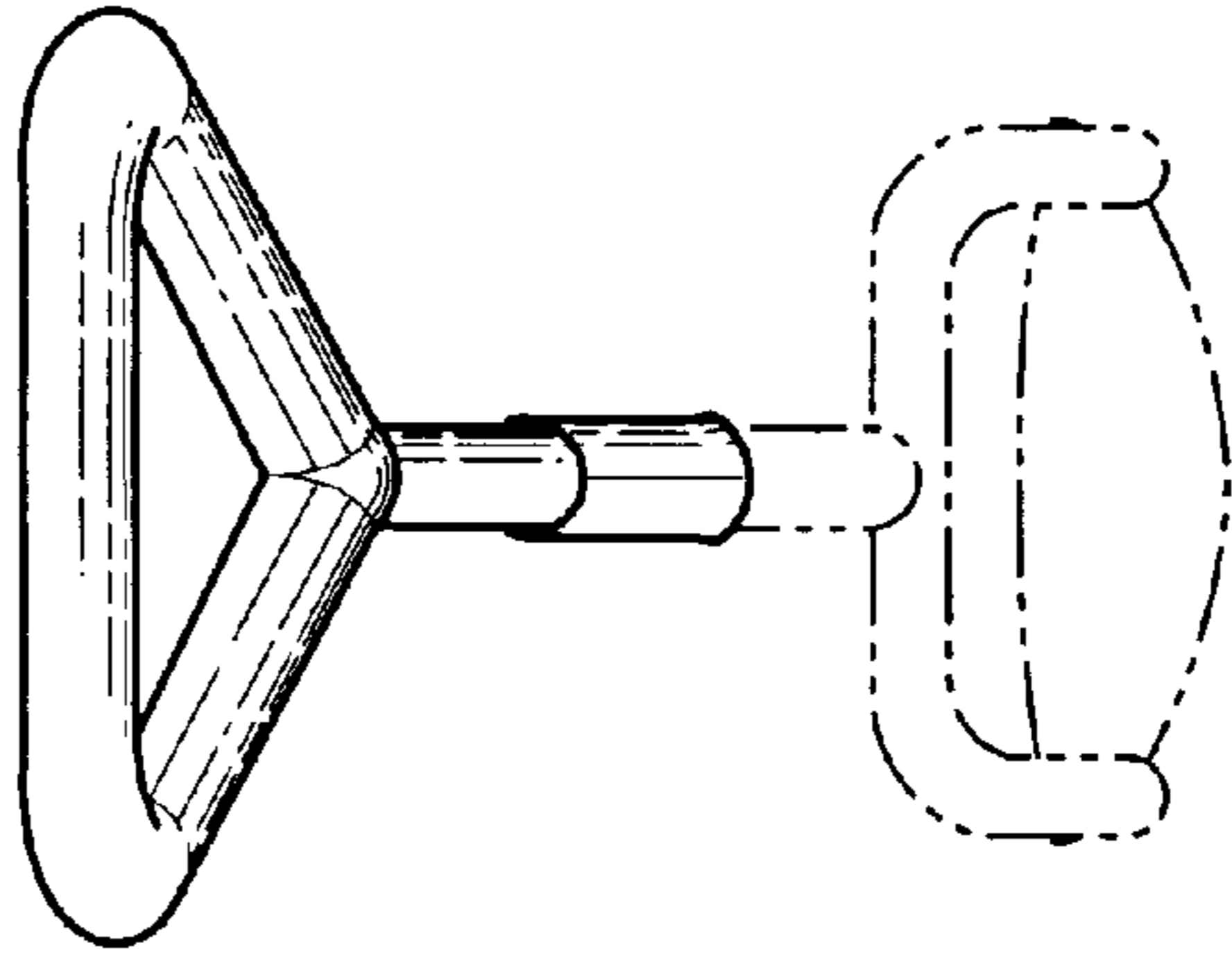


Fig. 6

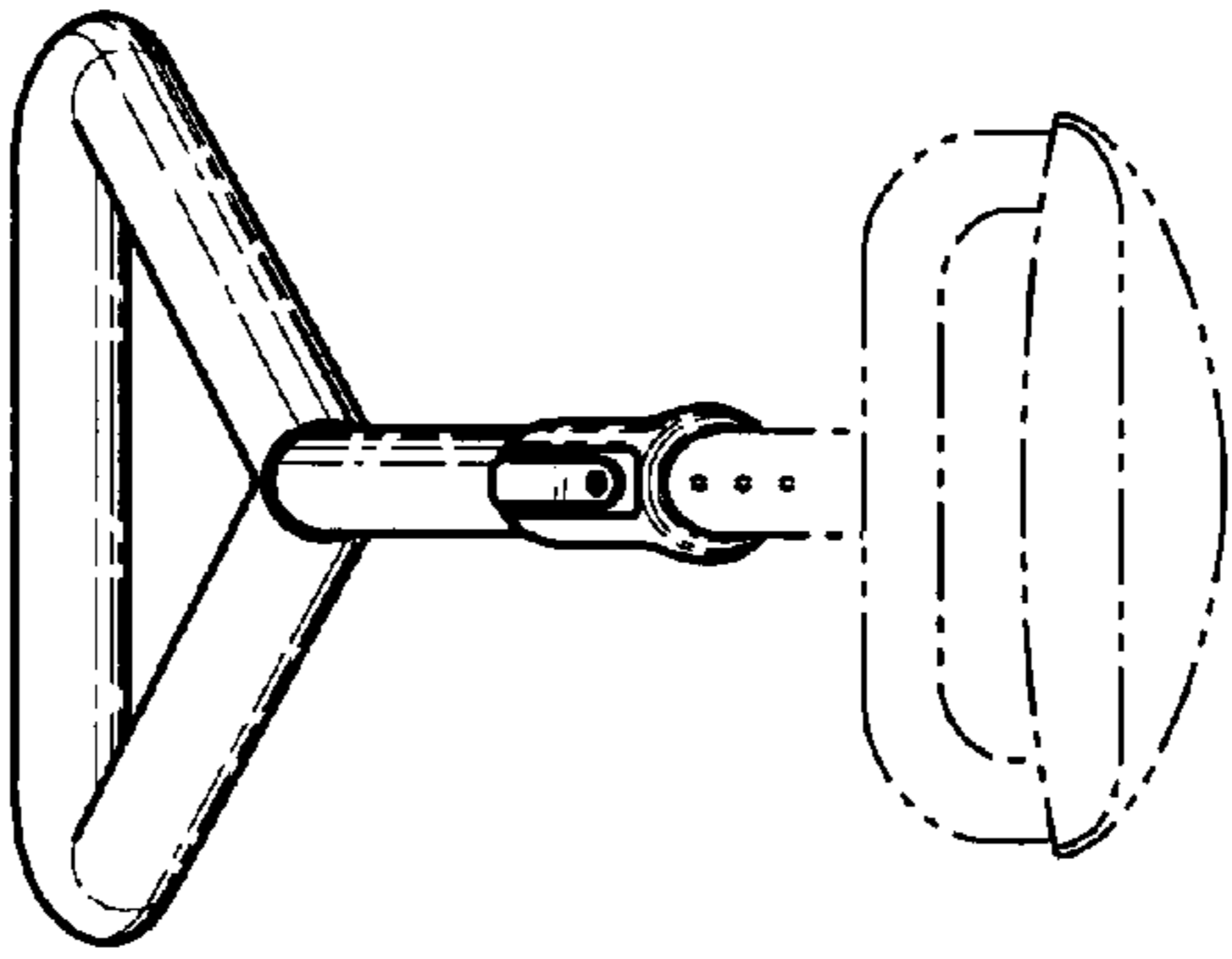


Fig. 5